



Bearing Supports from Automation Components

BEARING SUPPORTS

Fixed mounts

L1388.AK



L1390.FK



L1392.BK



L1394.EK



L1400.FKA



L1402.LK



Floating mounts

L1389.AF



L1391.FF



L1393.BF



L1395.EF



L1403.LF



Other Mounts

L1405.WBK

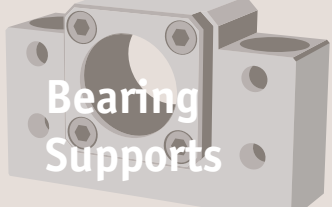


L1406.SBK



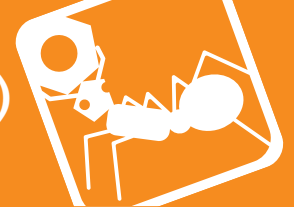
L1408.MBA





Bearing Supports

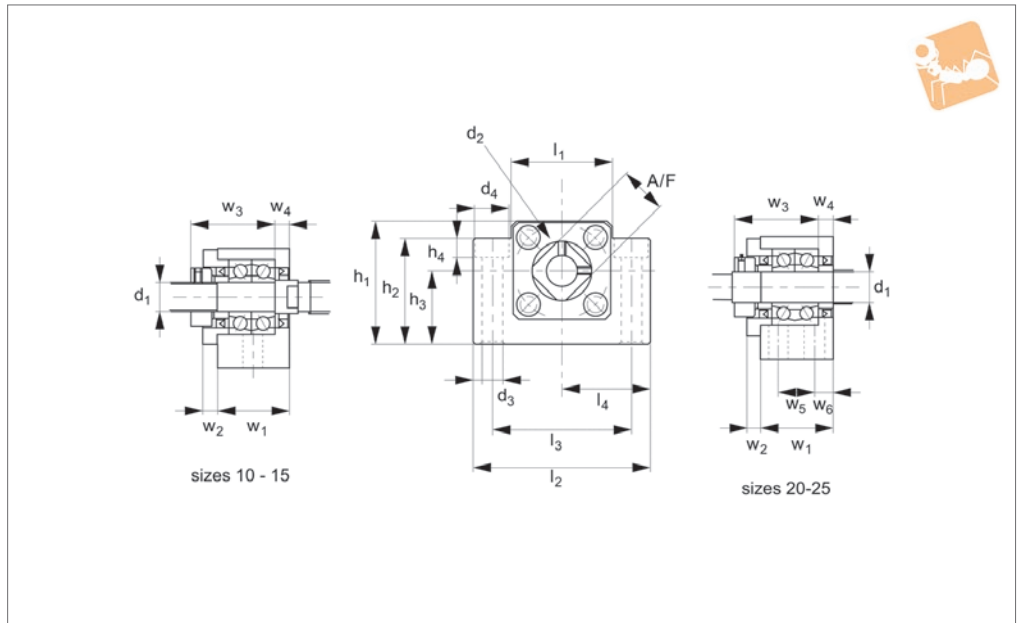
Fixed Rectangular Support Units (AK) for ball & lead screws



BEARING SUPPORTS



L1388



Material

Steel with black oxide finish.
Bearings, sealed and lubricated for life.

Technical Notes

Standard units are suitable for ball screws and lead screws to C5/C7 accuracy grade.

The bearings are not preloaded and have a maximum axial clearance of 18µ.
For dimensions to machine the ends of the screws see technical pages.

Tips

Electroless nickel plated versions of these

bearing mounts are available for clean room and other applications. **For lead screw sizes up to 80 and ball screw sizes up to 63 see part no. L1392.**

Order No.	For lead screw o.d dia.	For ball screw o.d dia.	d_1	d_2	d_3	d_4	h_1	h_2	h_3 ± 0.02	h_4	l_1	l_2
L1388.AK10	14 - 16	12	10	M3	9	14.0	43	35	25	11	36	70
L1388.AK12	18 - 20	14 - 16	12	M4	9	14.0	43	35	25	11	36	70
L1388.AK15	22 - 24	20	15	M4	11	17.0	49	40	30	15	41	80
L1388.AK20	26 - 32	25 - 28	20	M4	11	17.0	58	45	30	15	56	95
L1388.AK25	36	32 - 36	25	M5	11	7.8	68	25	35	8	66	105

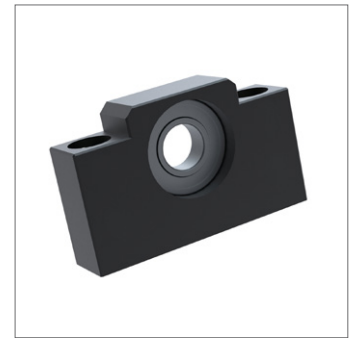
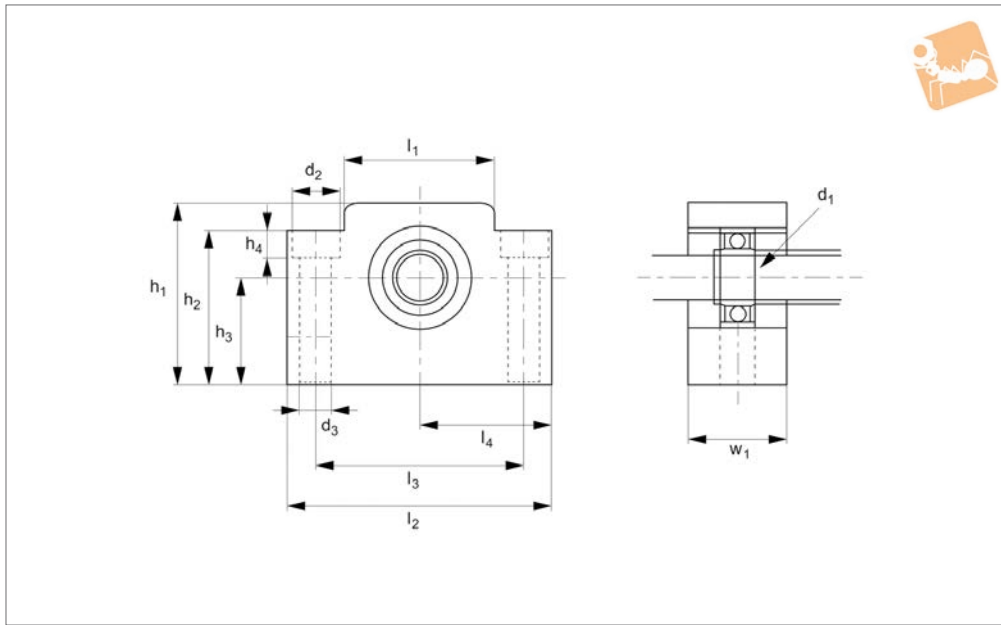
Order No.	l_3	l_4 ± 0.02	w_1	w_2	w_3	w_4	w_5	w_6	A/F	Axial load kgf max.	rpm max.	Static load kgf max.
L1388.AK10	52	35.0	24	6	29.5	6	-	-	16	195	24000	530
L1388.AK12	52	35.0	24	6	29.5	6	-	-	19	217	22000	610
L1388.AK15	60	40.0	25	6	36.0	5	-	-	22	240	19000	700
L1388.AK20	75	47.5	42	10	50.0	10	22	10	30	587	13000	1690
L1388.AK25	85	52.5	48	12	56.0	14	30	9	35	709	12000	2090



Floating Rectangular Support Units for ball & lead screws



Bearing
Supports



L1389

BEARING SUPPORTS

Material

Steel with black oxide finish.
Bearings, sealed and lubricated for life.

Technical Notes

Standard units are suitable for ball screws and lead screws to C5/C7 accuracy grade.

The bearings are not preloaded and have a max. axial clearance of 18 μ .
For dimensions to machine the ends of the screws see technical pages.

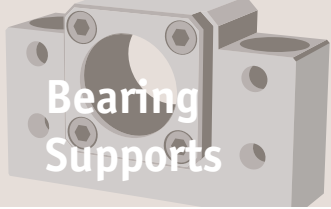
Tips

Electroless nickel plated versions of these

bearing mounts are available for clean room and other applications. **For lead screw sizes up to 80 and ball screw sizes up to 63 see part no. L1393.**

Order No.	For lead screw o.d dia.	For ball screw o.d dia.	d ₁	d ₂	d ₃	h ₁	h ₂	h ₃ ± 0.02	h ₄
L1389.AF10	12	10	8	14	11	43	35	25	11
L1389.AF12	14 - 16	12	10	14	11	43	35	25	11
L1389.AF15	22 - 24	20	15	14	11	49	40	30	11
L1389.AF20	26 - 32	25 - 28	20	14	11	58	45	30	15
L1389.AF25	36	32 - 36	25	14	11	68	25	35	-

Order No.	l ₁	l ₂	l ₃	l ₄ ± 0.02	w ₁	Axial load kgf max.	rpm max.	Static load kgf max.
L1389.AF10	36	70	52	35.0	20	195	24000	530
L1389.AF12	36	70	52	35.0	20	217	22000	610
L1389.AF15	41	80	60	40.0	20	240	19000	700
L1389.AF20	56	95	75	47.5	26	587	13000	1690
L1389.AF25	66	105	85	52.5	30	820	8500	1920

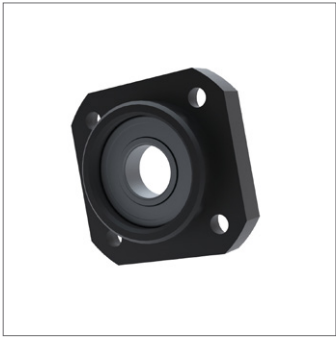


Bearing Supports

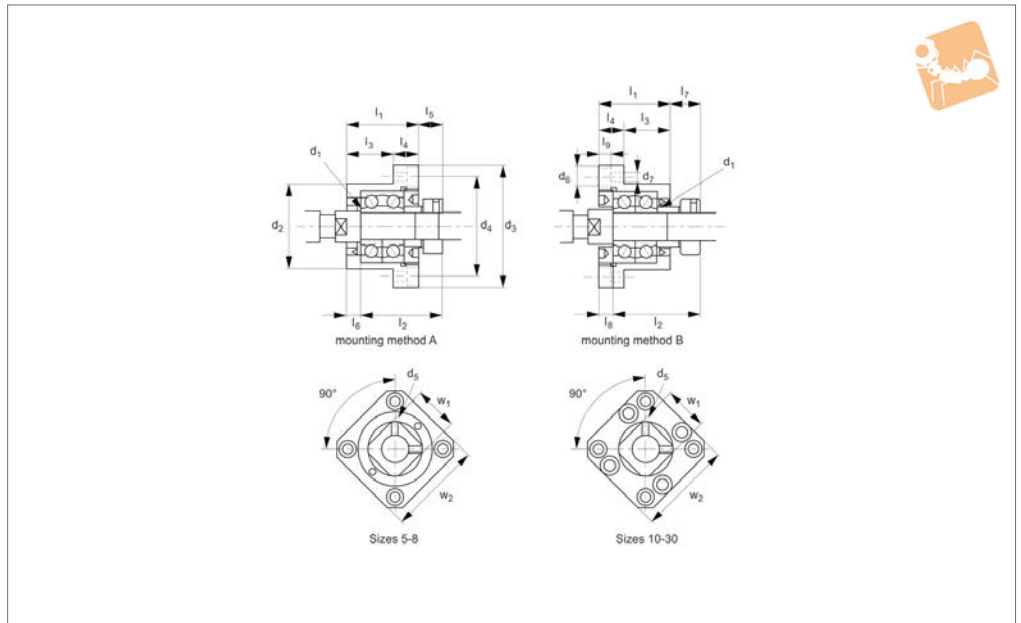
Fixed Round Support Units (FK) for ball & lead screws



BEARING SUPPORTS



L1390



Material

Steel with black oxide finish. Bearings, sealed and lubricated for life.

Technical Notes

Standard units are suitable for ball screws

and lead screws to C5/C7 accuracy grade.

The bearings are not preloaded and have a max. axial clearance of 18µ.

For dimensions to machine the ends of the screws see technical pages.

Tips

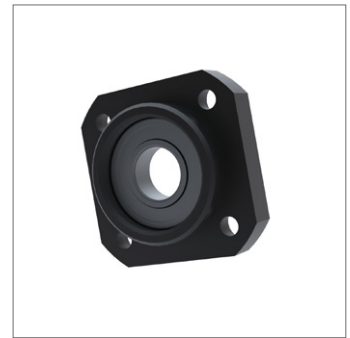
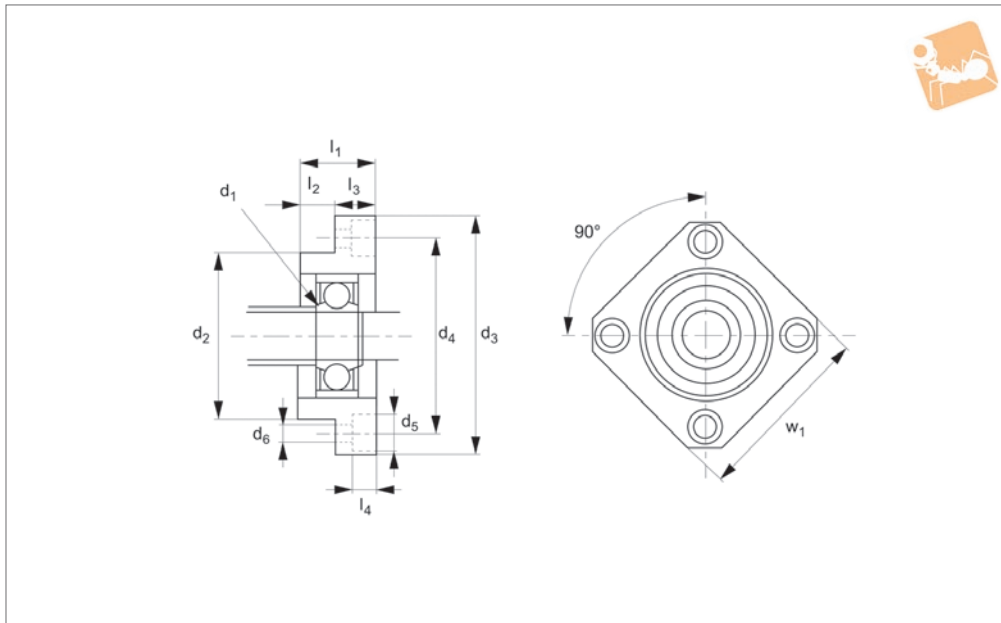
Electroless nickel plated versions of these bearing mounts are available for clean room and other applications.

Order No.	For lead screw o.d dia.	For ball screw o.d dia.	d ₁	d ₂ tol. g6	d ₃	d ₄	d ₅	d ₆	d ₇	l ₁	l ₂	l ₃
L1390.FK05		6	5	20	34	26	M3	6,5	3,4	16,5	18,5	10,5
L1390.FK06	10	8	6	22	36	28	M3	6,5	3,4	20,0	22,0	13,0
L1390.FK08	12	10	8	28	43	35	M3	6,5	3,4	23,0	26,0	14,0
L1390.FK10	14 - 16	12	10	34	52	42	M3	8,0	4,5	27,0	29,5	17,0
L1390.FK12	18 - 20	14 - 16	12	36	54	44	M4	8,0	4,5	27,0	29,5	17,0
L1390.FK15	22 - 24	20	15	40	63	50	M4	9,5	5,5	32,0	36,0	17,0
L1390.FK17	24	20 - 25	17	50	77	62	M4	11,0	6,6	45,0	47,0	23,0
L1390.FK20	26 - 32	25 - 28	20	57	85	70	M4	11,0	6,6	52,0	50,0	30,0
L1390.FK25	36	32 - 36	25	63	98	80	M5	15,0	9,0	57,0	60,0	30,0
L1390.FK30	40	40 - 45	30	75	117	95	M6	17,5	11,0	62,0	61,0	32,0

Order No.	l ₄	l ₅	l ₆	l ₇	l ₈	l ₉	w ₁	w ₂	Axial load kgf	rpm	Static load kgf
L1390.FK05	6	5,5	3,5	3,0	5,0	4	11	26	74	52800	200
L1390.FK06	7	5,5	3,5	4,5	6,5	4	12	28	74	52800	200
L1390.FK08	9	7,0	4,0	5,0	7,0	4	14	35	103	40000	280
L1390.FK10	10	7,5	5,0	8,5	6,0	4	16	42	195	24000	530
L1390.FK12	10	7,5	5,0	8,5	6,0	4	19	44	217	22000	610
L1390.FK15	15	10,0	6,0	12,0	8,0	6	22	52	240	19000	700
L1390.FK17	22	11,0	9,0	14,0	12,0	10	24	61	413	16000	1220
L1390.FK20	22	8,0	10,0	12,0	14,0	10	30	68	587	13000	1690
L1390.FK25	27	13,0	10,0	20,0	17,0	13	35	79	709	12000	2090
L1390.FK30	30	11,0	12,0	17,0	18,0	15	40	93	939	10000	3000



Floating Round Support Units (FF) for ball & lead screws



L1391

BEARING SUPPORTS

Material

Steel with black oxide finish. Bearings, sealed and lubricated for life.

Technical Notes

Standard units are suitable for ball screws

and lead screws to C5/C7 accuracy grade.

The bearings are not preloaded and have a max. axial clearance of 18µ.

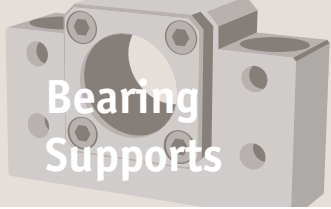
For dimensions to machine the ends of the screws see technical pages.

Tips

Electroless nickel plated versions of these bearing mounts are available for clean room and other applications.

Order No.	For lead screw o.d dia.	For ball screw o.d dia.	d ₁ tol. H7	d ₂ tol. g6	d ₃	d ₄	d ₅	d ₆	l ₁
L1391.FF06	10	8	6	22	36	28	6.5	3.4	10
L1391.FF10	12	10	8	28	43	35	6.5	3.4	12
L1391.FF12	14 - 16	12	10	34	52	42	8.0	4.5	15
L1391.FF15	22 - 24	20	15	40	63	50	9.5	5.5	17
L1391.FF17	24	20 - 25	17	50	77	62	11.0	6.6	20
L1391.FF20	24	20 - 25	20	57	85	70	11.0	6.6	20
L1391.FF25	36	32 - 36	25	63	98	80	14.0	9.0	24
L1391.FF30	40	40 - 45	30	75	117	95	17.0	11.0	27

Order No.	l ₂	l ₃	l ₄	w ₁	Axial load kgf max.	rpm max.	Static load kgf max.
L1391.FF06	4	6	4.0	28	74	2	200
L1391.FF10	5	7	4.0	35	608ZZ	530	195
L1391.FF12	8	7	4.0	42	6000ZZ	610	214
L1391.FF15	8	9	5.5	52	6002ZZ	400	240
L1391.FF17	9	11	6.5	61	413	16000	1220
L1391.FF20	9	11	6.5	68	587	13000	1690
L1391.FF25	10	14	8.5	79	709	12000	2090
L1391.FF30	9	18	11.0	93	1082	7100	2760



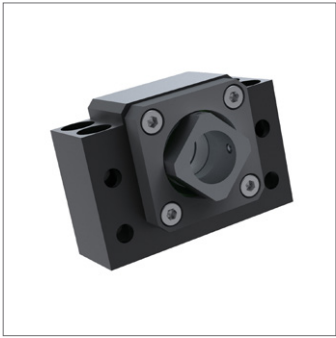
Bearing Supports

Fixed Rectangular Support Units (BK)

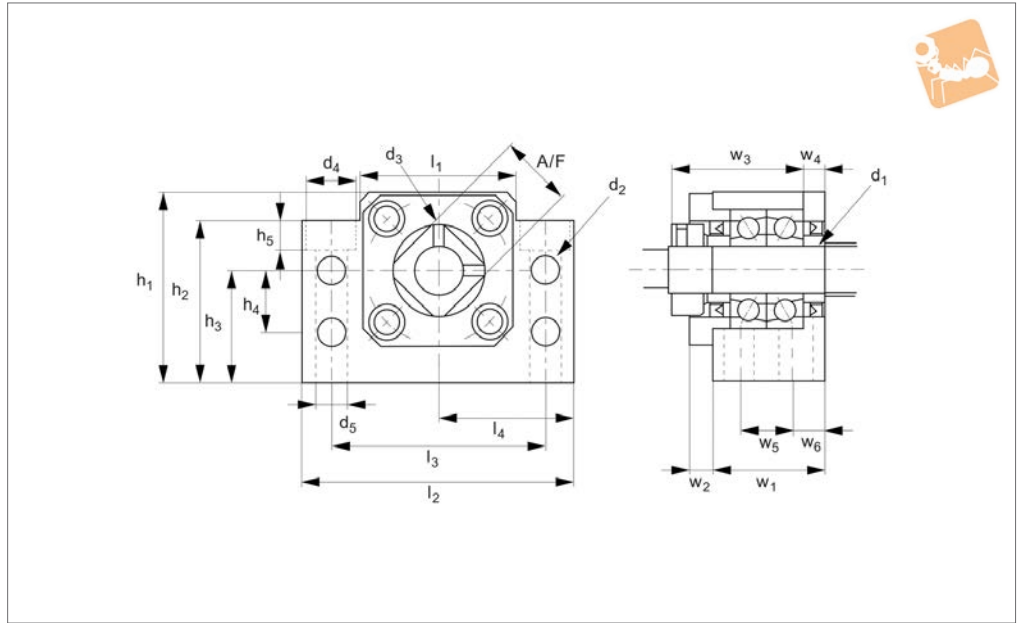
for ball & lead screws



BEARING SUPPORTS



L1392



Material

Steel with black oxide finish. Bearings, sealed and lubricated for life.

Technical Notes

Standard units are suitable for ball screws

and lead screws to C5/C7 accuracy grade.

The bearings are not preloaded and have a max. axial clearance of 18 μ .

For dimensions to machine the ends of the screws see technical pages.

Tips

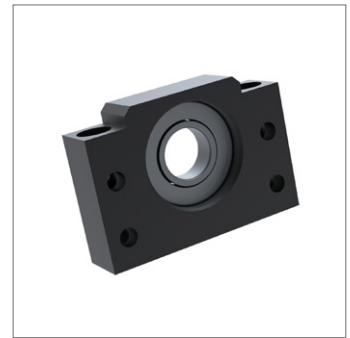
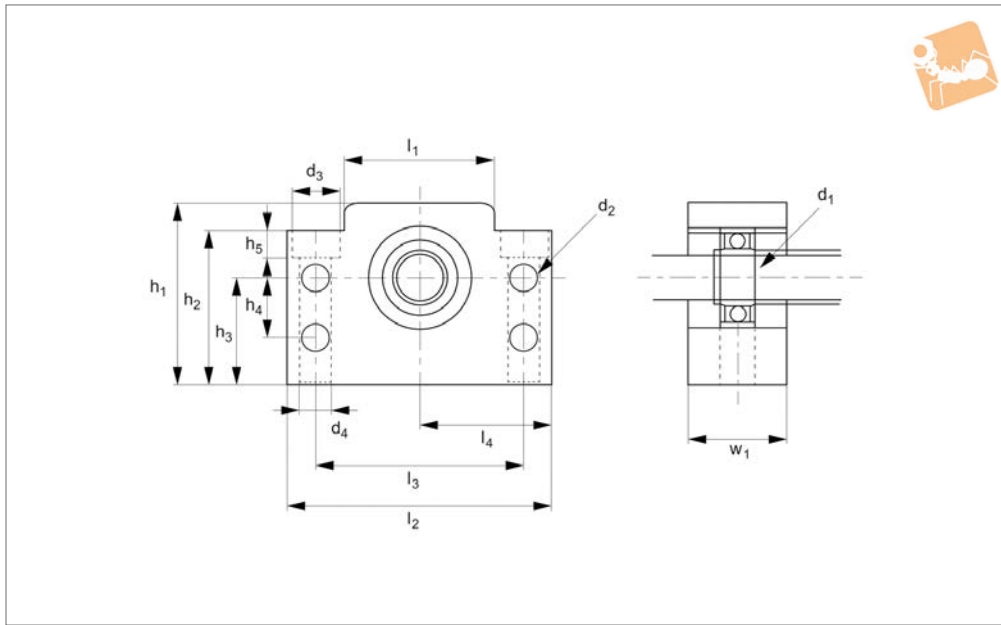
Electroless nickel plated versions of these bearing mounts are available for clean room and other applications.

Order No.	For lead screw o.d dia.	For ball screw o.d dia.	d_1 tol. H7	d_2	d_3	d_4	d_5	h_1	h_2	h_3 ± 0.02	h_4	h_5	l_1	l_2
L1392.BK10	14 - 16	12	10	5.5	M3	10.8	6.6	39	32.5	22	15	5.0	34	60
L1392.BK12	18 - 20	14 - 16	12	5.5	M4	10.8	6.6	43	32.5	25	18	5.0	34	60
L1392.BK15	22 - 24	20	15	5.5	M4	11.0	6.6	48	38.0	28	18	6.5	40	70
L1392.BK17	24	20 - 25	17	6.6	M4	14.0	9.0	64	55.0	39	28	8.5	50	86
L1392.BK20	26 - 32	25 - 28	20	6.6	M4	14.0	9.0	60	50.0	34	22	8.5	52	88
L1392.BK25	36	32 - 36	25	9.0	M5	17.5	11.0	80	70.0	48	33	11.0	64	106
L1392.BK30	40	40 - 45	30	11.0	M6	20.0	14.0	89	78.0	51	33	13.0	76	128
L1392.BK35	44 - 50	50	35	11.0	M8	20.0	14.0	96	79.0	52	35	13.0	88	140
L1392.BK40	55 - 80	63	40	14.0	M8	26.0	18.0	110	90.0	60	37	17.5	100	160

Order No.	l_3	l_4 ± 0.02	w_1	w_2	w_3	w_4	w_5	w_6	A/F	Axial load kgf max.	rpm max.	Static load kgf max.
L1392.BK10	46	30	25	5	29	5	13	6	16	195	24000	530
L1392.BK12	46	30	25	5	29	5	13	6	19	217	22000	610
L1392.BK15	54	35	27	6	32	6	15	6	22	240	19000	700
L1392.BK17	68	43	35	9	44	7	19	8	24	413	16000	1220
L1392.BK20	70	44	35	8	43	8	19	8	30	428	15000	1340
L1392.BK25	85	53	42	12	54	9	22	10	35	709	12000	2090
L1392.BK30	102	64	45	14	61	9	23	11	40	939	10000	3000
L1392.BK35	114	70	50	14	67	12	26	12	50	1466	6000	3750
L1392.BK40	130	80	61	18	76	15	33	14	60	1834	5300	4700



Floating Rectangular Support Units for ball & lead screws



L1393

BEARING SUPPORTS

Material

Steel with black oxide finish. Bearings, sealed and lubricated for life.

Technical Notes

Standard units are suitable for ball screws

and lead screws to C5/C7 accuracy grade.

The bearings are not preloaded and have a max. axial clearance of 18µ.

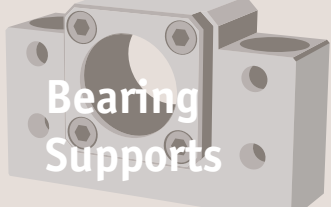
For dimensions to machine the ends of the screws see technical pages.

Tips

Electroless nickel plated versions of these bearing mounts are available for clean room and other applications.

Order No.	For lead screw o.d dia.	For ball screw o.d dia.	d ₁ tol. h7	d ₂	d ₃	d ₄	h ₁	h ₂	h ₃ ±0.02	h ₄	h ₅
L1393.BF10	12	10	8	5.5	10.8	6.6	39	32.5	22	15	5.0
L1393.BF12	14 - 16	12	10	5.5	10.8	6.6	43	32.5	25	18	5.0
L1393.BF15	22 - 24	20	15	5.5	11.0	6.6	48	38.0	28	18	6.5
L1393.BF17	24	20 - 25	17	6.6	14.0	9.0	64	55.0	39	28	8.5
L1393.BF20	26 - 32	25 - 28	20	6.6	14.0	9.0	60	50.0	34	22	8.5
L1393.BF25	36	32 - 36	25	9.0	17.5	11.0	80	70.0	48	33	11.0
L1393.BF30	40	40 - 45	30	11.0	20.0	14.0	89	78.0	51	33	13.0
L1393.BF35	44 - 50	50	35	11.0	20.0	14.0	96	79.0	52	35	13.0
L1393.BF40	55 - 80	63	40	14.0	26.0	18.0	110	90.0	60	37	17.5

Order No.	l ₁	l ₂	l ₃	l ₄ ±0.02	w ₁	Axial load kgf max.	rpm max.	Static load kgf max.
L1393.BF10	34	60	46	30	20	195	24000	530
L1393.BF12	34	60	46	30	20	217	22000	610
L1393.BF15	40	70	54	35	20	240	19000	700
L1393.BF17	50	86	68	43	23	413	16000	1220
L1393.BF20	52	88	70	44	26	428	15000	1340
L1393.BF25	64	106	85	53	30	709	12000	2090
L1393.BF30	76	128	102	64	32	1082	7100	2760
L1393.BF35	88	140	114	70	32	1466	6000	3750
L1393.BF40	100	160	130	80	37	1834	5300	4700

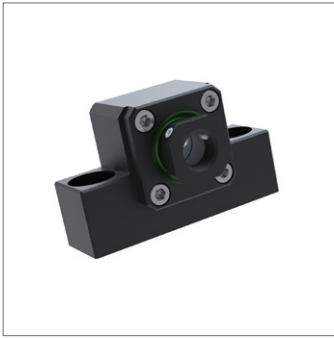


Bearing Supports

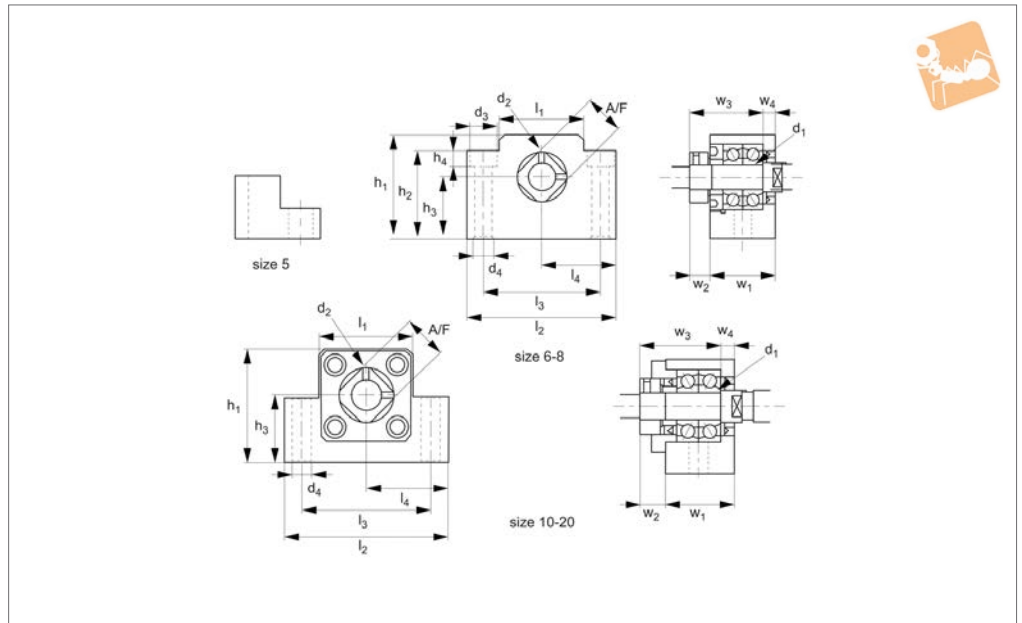
Fixed Rectangular Support Units (EK) for ball & lead screws



BEARING SUPPORTS



L1394



Material

Steel with black oxide finish. Bearings, sealed and lubricated for life.

Technical Notes

Standard units are suitable for ball screws

and lead screws to C5/C7 accuracy grade.

The bearings are not preloaded and have a max. axial clearance of 18 μ .

For dimensions to machine the ends of the screws see technical pages.

Tips

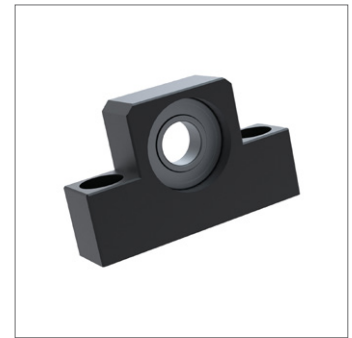
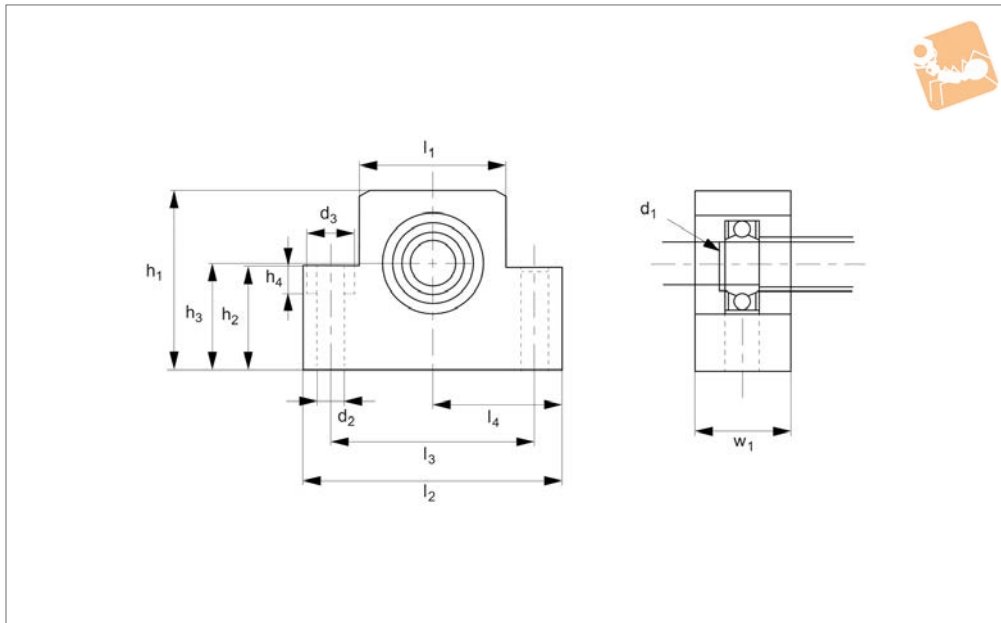
Electroless nickel plated versions of these bearing mounts are available for clean room and other applications.

Order No.	For lead screw o.d dia.	For ball screw o.d dia.	d_1 tol. H7	d_2	d_3	d_4	h_1	h_2	h_3 ± 0.02	h_4	l_1	l_2	l_3
L1394.EK05	-	6	5	M3	-	4.5	21	8	11	-	20	36	28
L1394.EK06	10	8	6	M3	9.5	5.5	25	20	13	11	18	42	30
L1394.EK08	12	10	8	M3	11.0	6.5	32	26	17	12	25	52	38
L1394.EK10	14 - 16	12	10	M3	-	9.0	43	24	25	-	36	70	52
L1394.EK12	18 - 20	14 - 16	12	M4	-	9.0	43	24	25	-	36	70	52
L1394.EK15	22 - 24	20	15	M4	-	11.0	49	25	30	-	41	80	60
L1394.EK20	26 - 32	25 - 28	20	M4	-	11.0	58	25	30	-	56	95	75

Order No.	l_4 ± 0.02	w_1	w_2	w_3	w_4	A/F	Axial load kgf max.	rpm max.	Static load kgf max.
L1394.EK05	18.0	16.5	5.5	18.5	3.5	11	74	52800	200
L1394.EK06	21.0	20.0	5.5	22.0	3.5	12	74	52800	200
L1394.EK08	26.0	23.0	7.0	26.0	4.0	14	103	4000	280
L1394.EK10	35.0	24.0	6.0	29.5	6.0	16	195	24000	530
L1394.EK12	35.0	24.0	6.0	29.5	6.0	19	217	22000	610
L1394.EK15	40.0	25.0	6.0	36.0	5.0	22	240	19000	700
L1394.EK20	47.5	20.0	10.0	50.0	10.0	30	587	13000	1690



Floating Rectangular Support Units for ball & lead screws



L1395

BEARING SUPPORTS

Material

Steel with black oxide finish. Bearings, sealed and lubricated for life.

Technical Notes

Standard units are suitable for ball screws

and lead screws to C5/C7 accuracy grade.

The bearings are not preloaded and have a max. axial clearance of 18 μ .

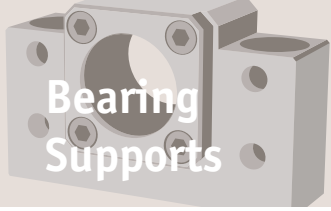
For dimensions to machine the ends of the screws see technical pages.

Tips

Electroless nickel plated versions of these bearing mounts are available for clean room and other applications.

Order No.	For lead screw o.d dia.	For ball screw o.d dia.	d ₁ tol. h7	d ₂	d ₃	h ₁	h ₂	h ₃ ± 0.02	h ₄	l ₁
L1395.EF06	10	8	6	5.5	9.5	25	20	13	11	18
L1395.EF08	10	8	6	6.6	11.0	32	26	17	12	25
L1395.EF10	12	10	8	9.0	-	43	24	25	-	36
L1395.EF12	14 - 16	12	10	9.0	-	43	24	25	-	36
L1395.EF15	22 - 24	20	15	9.0	-	49	25	30	-	41
L1395.EF20	26 - 32	25 - 28	20	11.0	-	58	25	30	-	56

Order No.	l ₂	l ₃	l ₄ ± 0.02	w ₁	Axial load kgf max.	rpm max.	Static load kgf max.
L1395.EF06	42	30	21.0	12	74	52800	200
L1395.EF08	52	38	26.0	14	103	40000	280
L1395.EF10	70	52	35.0	20	195	24000	530
L1395.EF12	70	52	35.0	20	217	22000	610
L1395.EF15	80	60	40.0	20	240	19000	700
L1395.EF20	95	75	47.5	26	587	13000	1690

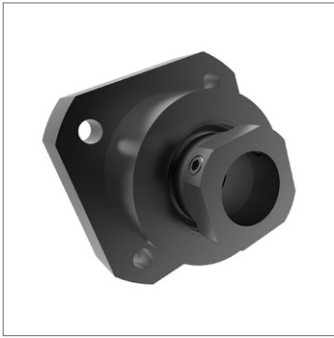


Bearing Supports

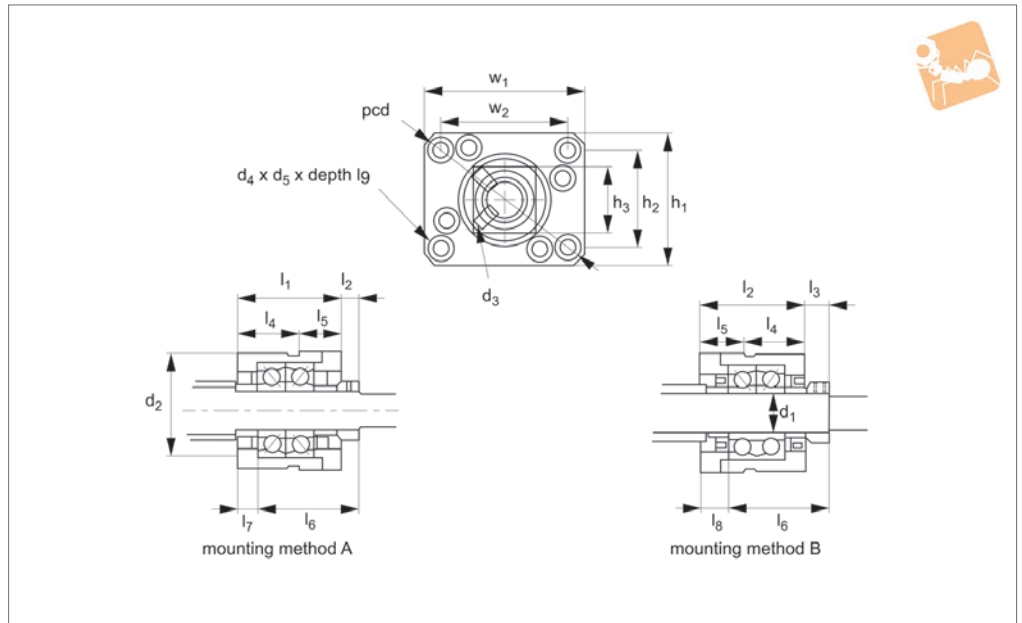
Fixed Round Support Units (FKA) for ball & lead screws



BEARING SUPPORTS



L1400



Material

Steel with black oxide finish.
Bearings, sealed and lubricated for life.

Technical Notes

Standard units are suitable for ball screws

and lead screws to C5/C7 accuracy grade.

The bearings are not preloaded and have a max. axial clearance of 0,018mm.

For dimensions to machine the ends of the screws to see technical pages.

Tips

Electroless nickel plated versions of these bearing mounts are available for clean room and other applications.

Order No.	For lead screw o.d dia.	For ball screw o.d dia.	d ₁ tol. H7	d ₂ tol. g6	d ₃	d ₄	d ₅	h ₁	h ₂	h ₃	l ₁
L1400.FKA06	10	8	6	28	M3	6.5	3.4	30	20.93	12	20
L1400.FKA08	12	10	8	28	M3	6.5	3.4	30	20.93	14	23
L1400.FKA10	14 - 16	12	10	36	M3	8.0	4.5	39	27.39	16	27
L1400.FKA12	18 - 20	14 - 16	12	36	M4	8.0	4.5	39	27.39	19	27
L1400.FKA15	22 - 24	20	15	40	M4	9.5	5.5	43	30.78	22	32
L1400.FKA20	26 - 32	25 - 28	20	57	M4	11.0	6.6	59	44.33	30	52

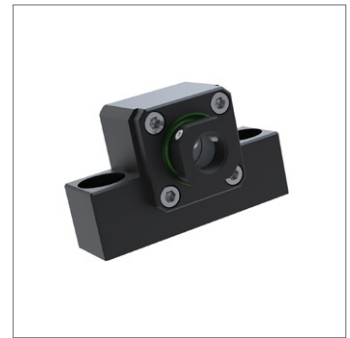
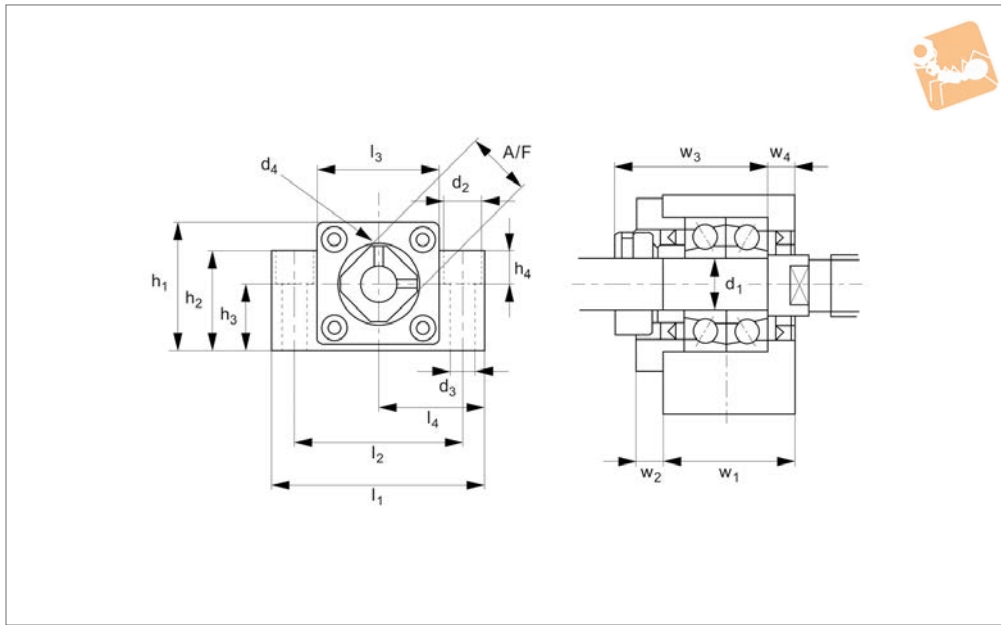
Order No.	l ₂	l ₃	l ₄	l ₅	l ₆	l ₇	l ₈	l ₉	w ₁	w ₂	Axial load kgf max.	pcd	rpm max.	Static load kgf max.
L1400.FKA06	5.5	6.5	13	7	22.0	3.5	4.5	4	36	26.79	74	44	52800	200
L1400.FKA08	7.0	8.0	14	9	26.0	4.0	5.0	4	36	26.79	103	44	40000	280
L1400.FKA10	7.5	8.5	17	10	29.5	5.0	6.0	4	48	35.70	195	56	24000	530
L1400.FKA12	7.5	8.5	17	10	29.5	5.0	6.0	4	48	35.70	217	56	22000	210
L1400.FKA15	10.0	12.0	17	15	36.0	6.0	8.0	6	56	39.40	240	65	19000	700
L1400.FKA20	8.0	12.0	30	22	50.0	10.0	14.0	10	72	56.74	587	86	13000	1690



Fixed Rectangular Support Units (LK) for ball & lead screws



Bearing
Supports



L1402

BEARING SUPPORTS

Material

Steel with black oxide finish.
Bearings, sealed and lubricated for life.

Technical Notes

Standard units are suitable for ball screws

and lead screws to C5/C7 accuracy grade.

The bearings are not preloaded and have a max. axial clearance of 0,018mm.

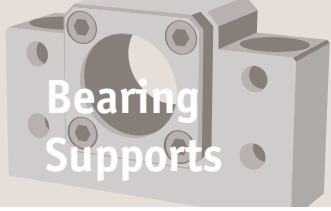
For dimensions to machine the ends of the screws to see technical pages.

Tips

Electroless nickel plated versions of these bearing mounts are available for clean room and other applications.

Order No.	For lead screw o.d dia.	For ball screw o.d dia.	d ₁ tol. H7	d ₂	d ₃	d ₄	h ₁	h ₂	h ₃ ±0.02	h ₄
L1402.LK08	12	10	8	14	9	M3	31	25.5	15.5	12.5
L1402.LK10	14 - 16	12	10	14	9	M3	38	30.0	20.0	10.0
L1402.LK12	18 - 20	14 - 16	12	14	9	M4	38	30.0	20.0	10.0
L1402.LK15	26 - 32	20	15	17	11	M4	41	32.0	22.0	13.0

Order No.	l ₁	l ₂	l ₃	l ₄	w ₁	w ₂	w ₃	w ₄ ±0.02	A/F	Axial load kgf max.	rpm max.	Static load kgf max.
L1402.LK08	62	46	30	31	22.5	-	26.0	3.5	14	103	40000	280
L1402.LK10	70	52	36	35	24.0	6	29.5	6.0	16	195	24000	530
L1402.LK12	70	52	36	35	24.0	6	29.5	6.0	19	217	22000	610
L1402.LK15	80	60	41	40	25.0	6	36.0	10.0	22	240	19000	700

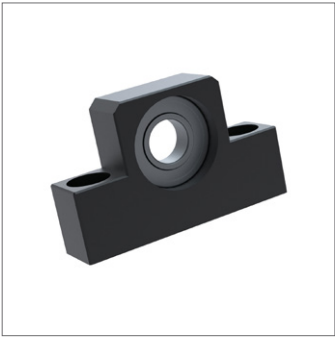


Bearing Supports

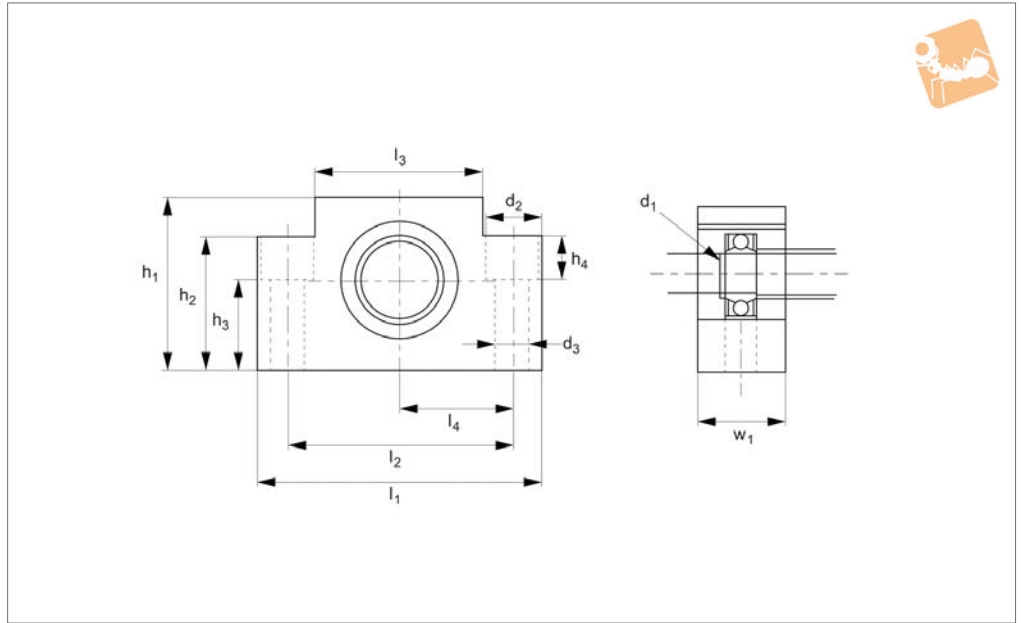
Floating Low Profile Support Units for ball & lead screws



BEARING SUPPORTS



L1403



Material

Steel with black oxide finish.
Bearings, sealed and lubricated for life.

Technical Notes

Standard units are suitable for ball screws

and lead screws to C5/C7 accuracy grade.

The bearings are not preloaded and have a max. axial clearance of 0,018mm.

For dimensions to machine the ends of the screw to see technical pages.

Tips

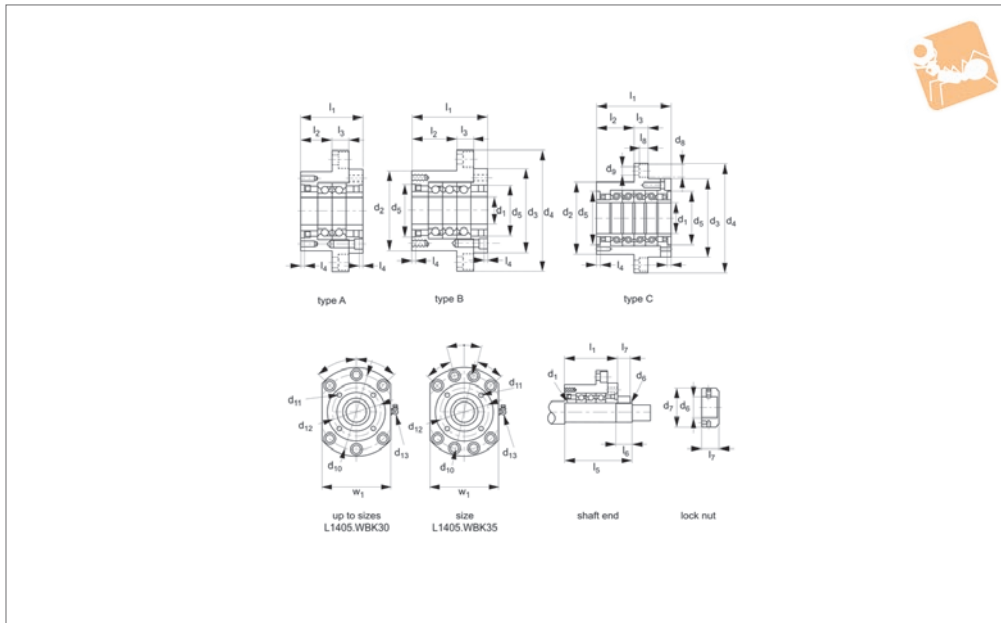
Electroless nickel plated versions of these bearing mounts are available for clean room and other applications.

Order No.	For lead screw o.d dia.	For ball screw o.d dia.	d_1 tol. h7	d_2	d_3	h_1	h_2	h_3 ± 0.02
L1403.LF08	12	10	8	14	6.6	31	25.5	15.5
L1403.LF12	14 - 16	12	10	14	9.0	38	30.0	20.0
L1403.LF15	22 - 24	20	15	14	9.0	41	32.0	22.0

Order No.	h_4	l_1	l_2	l_3	l_4 ± 0.02	w_1	Axial load kgf max.	rpm max.	Static load kgf max.
L1403.LF08	12.5	62	46	30	31	16	103	40000	S 06280
L1403.LF12	10.0	70	52	36	35	20	217	22000	610
L1403.LF15	11.0	80	60	41	40	20	240	19000	S 17005



Heavy Load Support Units (WBK) for ball & lead screws



L1405

BEARING SUPPORTS

Material

Steel with black oxide finish.
Bearings, sealed and lubricated for life.

Technical Notes

These supports come with a pair of duplex

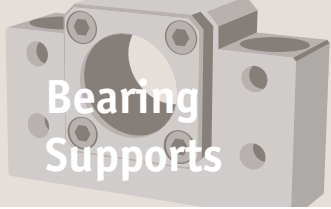
angular contact bearings (type A), three angular bearings (type B), or four angular contact bearings (type C), for a true fixed support.

For dimensions to machine the ends of the

screw to see technical pages.

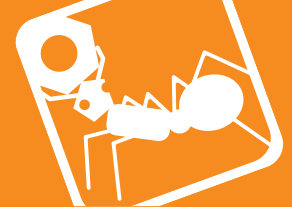
Order No.	Type	d ₁ tol. H7	d ₂ tol. g6	d ₃	d ₄	d ₅ tol. H5	d ₆	d ₇	d ₈	d ₉	d ₁₀	d ₁₁	d ₁₂	d ₁₃	Weight kg
L1405.WBK17-A	A	17	70	72	106	45	M17 x 1,0	37	14	9	88	M5	58	M6*	1.2
L1405.WBK20-A	A	20	70	72	106	45	M20 x 1,0	40	14	9	88	M5	58	M6*	1.2
L1405.WBK25-A	A	25	85	90	130	57	M25 x 1,5	45	17	11	110	M6	70	M6	2.3
L1405.WBK25-B	B	25	85	90	130	57	M25 x 1,5	45	17	11	110	M6	70	M6	3.1
L1405.WBK25-C	C	25	85	90	130	57	M25 x 1,5	45	17	11	110	M6	70	M6	3.4
L1405.WBK30-A	A	30	85	90	130	57	M30 x 1,5	50	17	11	110	M6	70	M6	3.0
L1405.WBK30-B	B	30	85	90	130	57	M30 x 1,5	50	17	11	110	M6	70	M6	3.0
L1405.WBK30-C	C	30	85	90	130	57	M30 x 1,5	50	17	11	110	M6	70	M6	3.3
L1405.WBK35-A	A	35	95	102	142	69	M35 x 1,5	55	17	11	110	M6	80	M6	3.4
L1405.WBK35-B	B	35	95	102	142	69	M35 x 1,5	55	17	11	110	M6	80	M6	3.4
L1405.WBK35-C	C	35	95	102	142	69	M35 x 1,5	55	17	11	110	M6	80	M6	4.3

Order No.	l ₁	l ₂	l ₃	l ₄	l ₅	l ₆	l ₇	l ₈	w	Dynamic load kgf	Axial load kgf	Preload kgf	Rigidity kgf/cm	Starting torque kgf/cm
L1405.WBK17-A	60	32	15	3	81	23	18	8.5	80	2240	2710	220	75	1,0 - 1,9
L1405.WBK20-A	60	32	15	3	81	23	18	8.5	80	2240	2710	220	75	1,0 - 1,9
L1405.WBK25-A	66	33	18	4	89	26	20	11.0	100	2910	4150	320	100	1,6 - 2,9
L1405.WBK25-B	81	48	18	4	104	26	20	11.0	100	4700	8300	440	150	2,2 - 4,0
L1405.WBK25-C	96	48	18	4	119	26	20	11.0	100	4700	8300	640	200	2,8 - 5,0
L1405.WBK30-A	66	33	18	4	89	26	20	11.0	100	2980	4400	340	105	1,7 - 3,0
L1405.WBK30-B	81	48	18	4	104	26	20	11.0	100	4850	8800	460	155	2,2 - 4,0
L1405.WBK30-C	96	48	18	4	119	26	20	11.0	100	4850	8800	680	205	2,9 - 5,2
L1405.WBK35-A	66	33	18	4	92	30	22	11.0	106	3150	5100	390	120	1,9 - 3,5
L1405.WBK35-B	81	48	18	4	107	30	22	11.0	106	5150	10200	530	175	2,5 - 4,6
L1405.WBK35-C	96	48	18	4	122	30	22	11.0	106	5150	10200	780	240	3,3 - 6,0

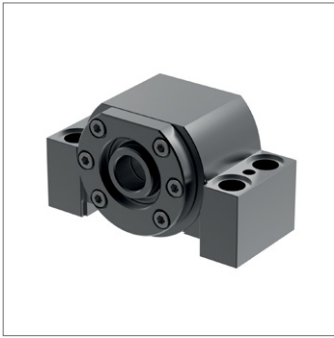


Bearing Supports

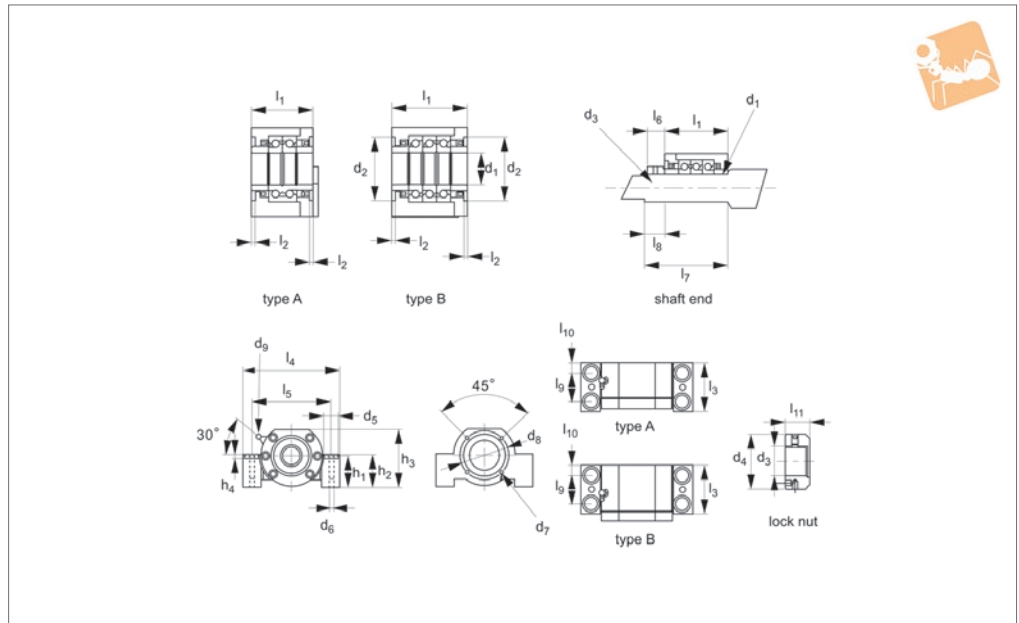
Heavy Load Support Units (SBK) for ball & lead screws



BEARING SUPPORTS



L1406



Material
Steel with black oxide finish.

Technical Notes
These supports come with a pair of duplex

angular contact bearings (type A), three angular bearings (type B), for a true fixed support.
For dimensions to machine the ends of the

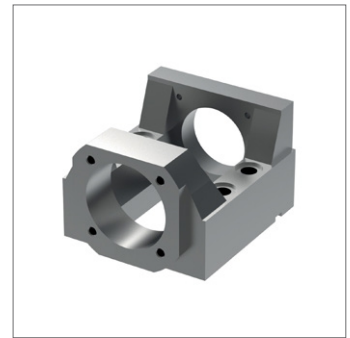
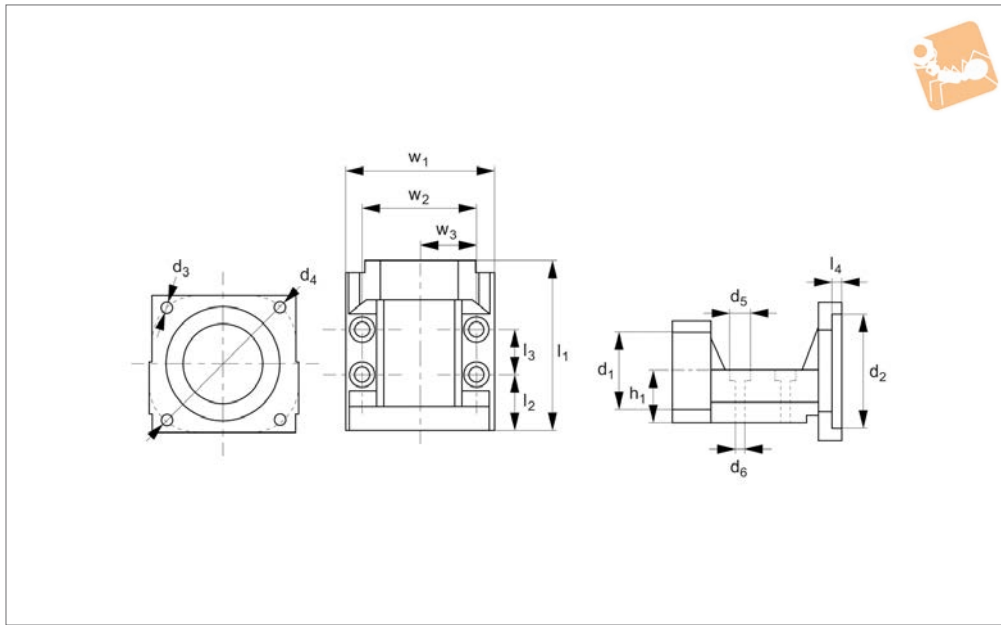
screw to see technical pages.

Order No.	d ₁	d ₂	d ₃	d ₄	d ₅	d ₆	d ₇	d ₈	d ₉	h ₁	h ₂	h ₃	h ₄	l ₁	l ₁₀
L1406.SBK25-A	25	57	M25 x 1,5	45	26	18	M6	70	M6	51	53	89	2	66	15,5
L1406.SBK25-B	25	57	M25 x 1,5	45	26	18	M6	70	M6	51	53	89	2	81	15,5
L1406.SBK30-A	30	57	M30 x 1,5	50	26	18	M6	70	M6	51	53	89	2	66	15,5
L1406.SBK30-B	30	57	M30 x 1,5	50	26	18	M6	70	M6	51	53	89	2	81	15,5
L1406.SBK35-A	35	69	M35 x 1,5	55	26	18	M6	80	M6	52	54	96	2	66	15,5
L1406.SBK35-B	35	69	M35 x 1,5	55	26	18	M6	80	M6	52	54	96	2	81	15,5
L1406.SBK40-A	40	69	M40 x 1,5	60	26	18	M6	80	M6	52	54	96	2	66	15,5
L1406.SBK40-B	40	69	M40 x 1,5	60	26	18	M6	80	M6	52	54	96	2	81	15,5

Order No.	l ₁₁	l ₂	l ₃	l ₄	l ₅	l ₆	l ₇	l ₈	l ₉	Dynamic load kgf	Axial load kgf	Preload kgf	Rigidity kgf/cm	Torque kgf/cm
L1406.SBK25-A	20	4	71	160	130	18	89	26	40	2910	4150	320	100	1,6 - 2,9
L1406.SBK25-B	20	4	71	160	130	18	104	26	40	4700	8300	440	150	2,2 - 4,0
L1406.SBK30-A	20	4	71	160	130	18	89	26	40	2980	4400	340	105	1,7 - 3,0
L1406.SBK30-B	20	4	71	160	130	18	104	26	40	4850	8800	460	155	2,2 - 4,0
L1406.SBK35-A	22	4	71	160	130	18	92	30	40	3150	5100	390	120	1,9 - 3,5
L1406.SBK35-B	22	4	71	160	130	18	107	30	40	5150	10200	530	175	2,5 - 4,6
L1406.SBK40-A	22	4	71	160	130	18	92	30	40	3250	5300	400	125	2,0 - 3,7
L1406.SBK40-B	22	4	71	160	130	18	107	30	40	5250	10600	540	185	2,6 - 4,8



Motor Bracket (MBA) for ball & lead screws



L1408

BEARING SUPPORTS

Material

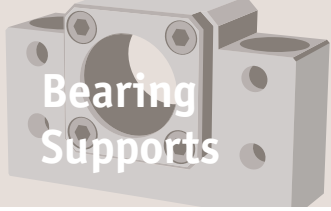
Steel with black oxide finish.

This provides a quick and easy solution to combine a motor with the fixed bearing unit.

Technical Notes

Parallelism between the two faces is 0.02.

Order No.	d ₁ tol. H7	d ₂ tol. H7	d ₃	d ₄	d ₅	d ₆	h ₁ ±0.02	l ₁	l ₂	l ₃	l ₄	w ₁	w ₂	w ₃	Compatible support unit
L1408.MBA06A	28	30.0	M3	45.0	9.5	5.5	17	61	19	20	4	52	41	26.0	L1400.FKA06
L1408.MBA08A	28	30.0	M4	46.0	9.5	5.5	17	61	19	20	4	52	41	26.0	L1400.FKA08
L1408.MBA10A	34	30.0	M3	45.0	11.0	6.6	22	74	24	20	4	65	50	32.5	L1390.FK10
L1408.MBA10B	34	30.0	M4	46.0	11.0	6.6	22	74	24	20	4	65	50	32.5	L1390.FK10
L1408.MBA10C	34	38.1	M4	66.7	11.0	6.6	22	74	24	20	4	65	50	32.5	L1390.FK10
L1408.MBA10D	34	50.0	M5	70.0	11.0	6.6	22	74	24	20	4	65	50	32.5	L1390.FK10
L1408.MBA10E	34	50.0	M4	70.0	11.0	6.6	22	74	24	20	4	65	50	32.5	L1390.FK10
L1408.MBA12A	36	30.0	M3	45.0	11.0	6.6	25	74	24	20	4	65	50	32.5	L1390.FK12
L1408.MBA12B	36	30.0	M4	46.0	11.0	6.6	25	74	24	20	4	65	50	32.5	L1390.FK12
L1408.MBA12C	36	38.1	M4	66.7	11.0	6.6	25	74	24	20	4	65	50	32.5	L1390.FK12
L1408.MBA12D	36	50.0	M5	70.0	11.0	6.6	25	74	24	20	4	65	50	32.5	L1390.FK12
L1408.MBA12E	36	50.0	M4	70.0	11.0	6.6	25	74	24	20	4	65	50	32.5	L1390.FK12
L1408.MBA15A	40	38.1	M4	66.7	11.0	6.6	28	82	24	28	4	70	55	35.0	L1390.FK15
L1408.MBA15B	40	50.0	M5	70.0	14.0	6.6	28	82	24	28	4	70	55	35.0	L1390.FK15
L1408.MBA15C	40	50.0	M4	70.0	14.0	6.6	28	82	24	28	4	70	55	35.0	L1390.FK15
L1408.MBA15D	40	73.0	M6	98.4	14.0	8.5	28	92	29	28	6	88	70	44.0	L1390.FK15
L1408.MBA15E	40	70.0	M6	90.0	14.0	8.5	28	92	29	28	6	88	70	44.0	L1390.FK15
L1408.MBA15F	40	70.0	M5	90.0	14.0	8.5	28	92	29	42	6	88	70	44.0	L1390.FK15
L1408.MBA20A	57	50.0	M5	70.0	14.0	8.5	34	113	29	42	4	88	70	44.0	L1400.FKA20
L1408.MBA20B	57	50.0	M4	70.0	14.0	8.5	34	113	29	42	4	88	70	44.0	L1400.FKA20
L1408.MBA20C	57	73.0	M6	98.4	14.0	8.5	34	113	29	42	6	88	70	44.0	L1400.FKA20
L1408.MBA20D	57	70.0	M6	90.0	14.0	8.5	34	113	29	42	6	88	70	44.0	L1400.FKA20
L1408.MBA20E	57	70.0	M5	90.0	14.0	8.5	34	113	29	42	6	88	70	44.0	L1400.FKA20



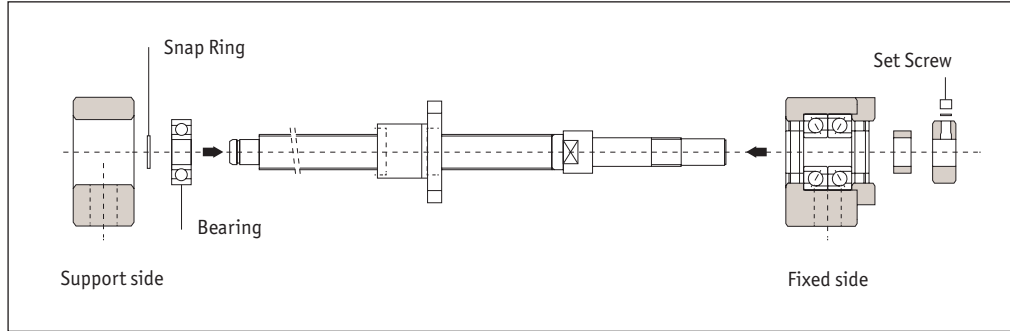
Notes

When inserting the screw shaft to the support unit, take care not to let the oil seal lip turn upward.

When securing the set piece with a hexagonal socket head set screw, apply an adhesive to the hexagonal socket head set screw before tightening it in order to prevent the screw from loosening. If planning to use the product in a harsh environment, it is also necessary to take measures to prevent other components/parts from loosening. Contact our Technical Department for details.

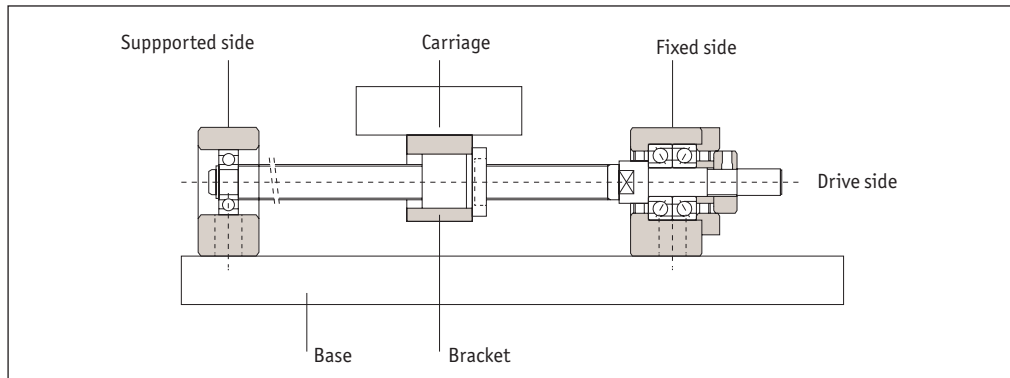
Installing the support unit

1. Install the fixed side support unit to the screw shaft.
2. After inserting the fixed side support unit, secure the lock nut using the fastening set piece and the hexagonal socket head set screw.
3. Attach the support side bearing to the screw shaft and secure the bearing using the snap ring, and then install the assembly to the housing on the supported side.



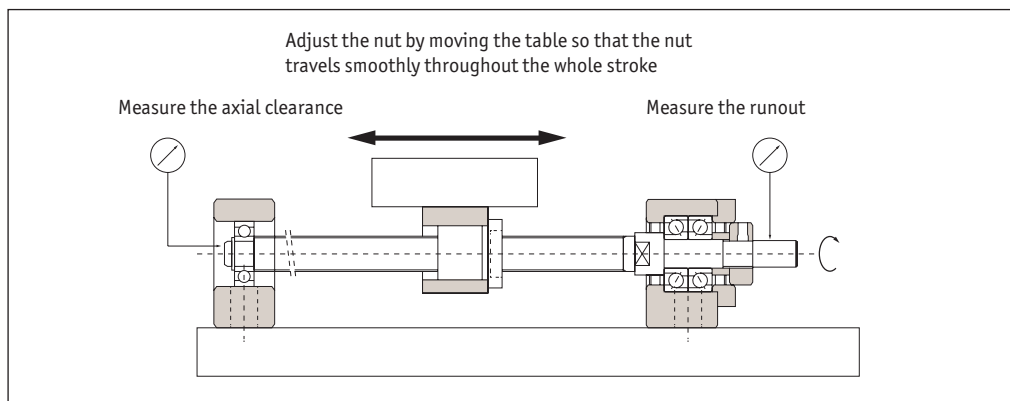
Installation onto the table and the base

1. If using a bracket when mounting the ball screw nut to the carriage, insert the nut into the bracket and temporarily fasten it.
2. Temporarily fasten the fixed side support unit to the base. In doing so, press the table toward the fixed side support unit to align the axial centre, and adjust the carriage so that it can travel freely.
3. Press the carriage toward the fixed side support unit to align the axial centre. Make the adjustment by reciprocating the table several times so that the nut travels slowly over the whole stroke, and temporarily secure the support unit to the base.



Checking the accuracy and fully fastening the support unit

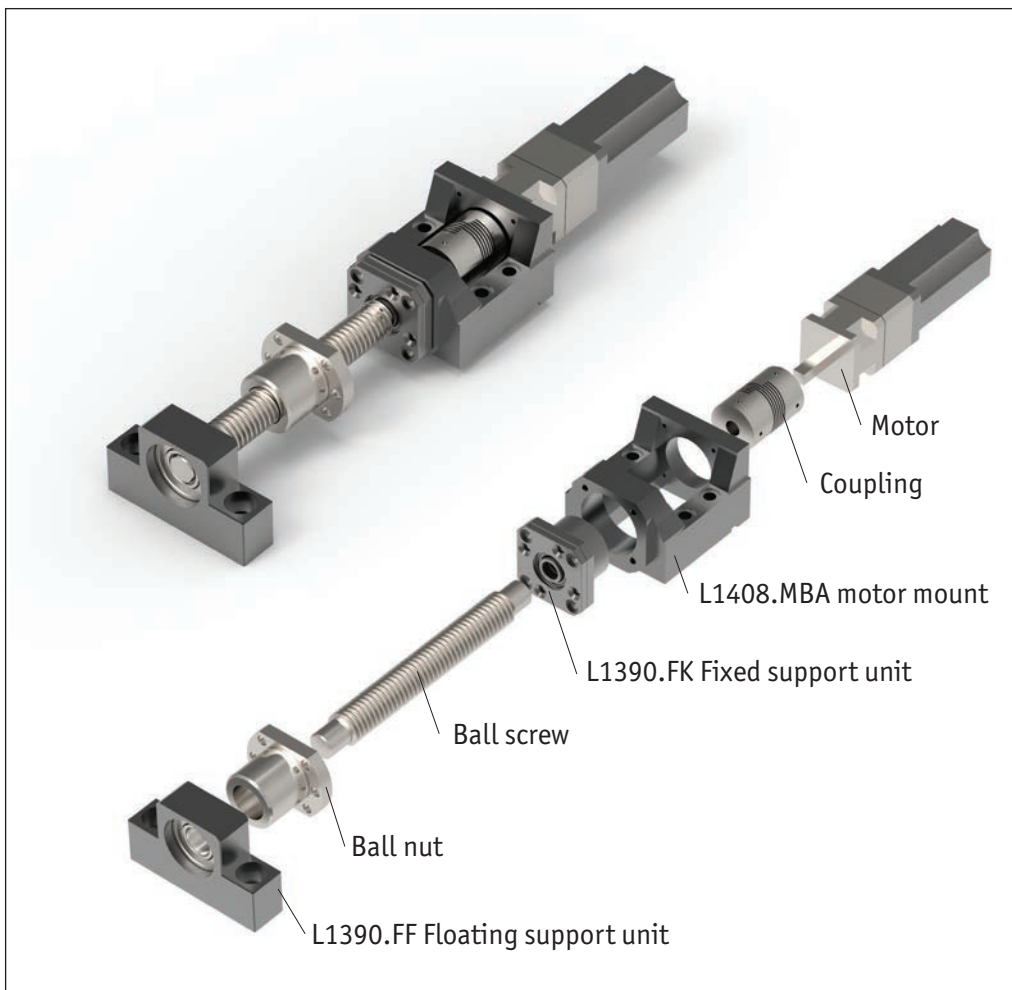
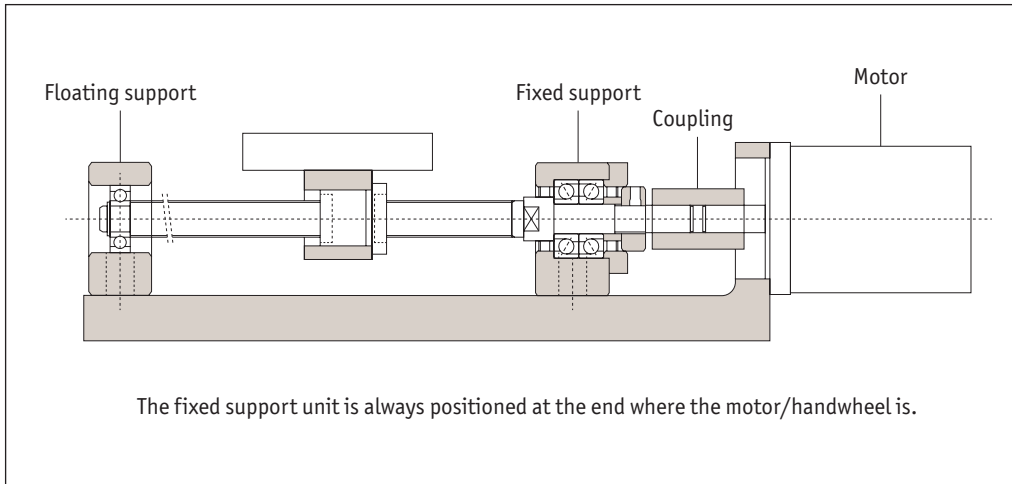
1. While checking the runout of the ball screw shaft end and the axial clearance using a dial gauge, fully fasten the ball screw nut, the nut bracket, the fixed side support unit and the support side unit, in this order.





Connection with motor

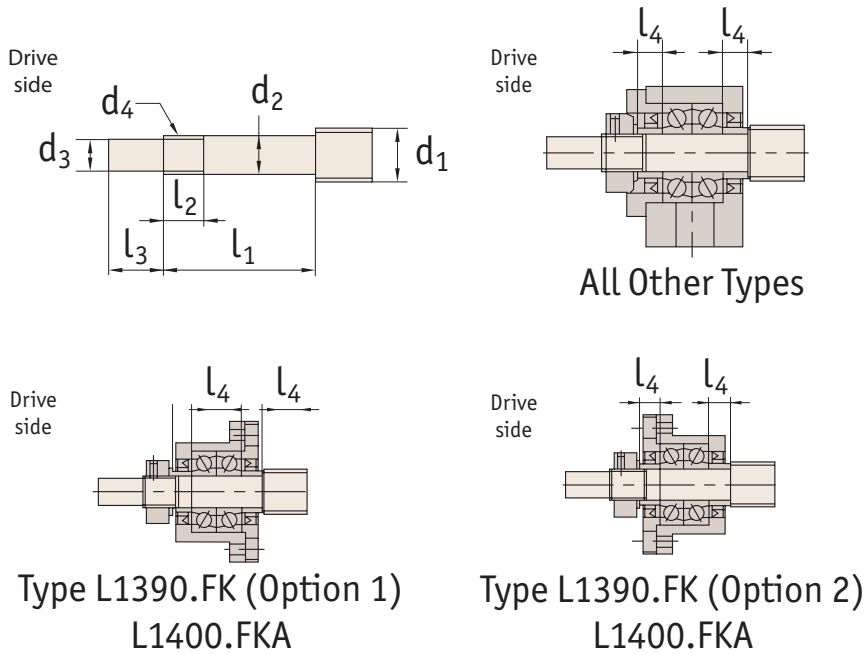
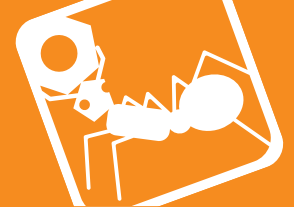
1. Mount motor bracket to the base.
2. Connect the motor and the ball screw using a coupling (make sure the mounting accuracy is maintained).
3. Mount motor bracket to the base.



Bearing Supports from Automation Components

BEARING SUPPORTS

ov-bearing-supports-units-assembly-rnh-Updated-15-03-2023



Part no.					Thread \varnothing	Shaft support \varnothing		For thread				
FK	EK	AK	FKA	LK	d_1	d_2	h_7	l_1	l_3	d_4	l_2	l_4
L1390.FK05	L1394.EK05	-	-	-	8	5 -0,008 -0,015	4	23	6	M5x0,5	7	3,5
L1390.FK06	L1394.EK06	-	-	-	8	6 -0,008 -0,015	4	28	8	M6x0,75	8	5,0
L1390.FK08	L1394.EK08	-	L1400.FKA08	L1402.LK08	10/12	8 -0,008 -0,015	6	32	9	M8x1,0	10	5,5
L1390.FK10	L1394.EK10	L1388.AK10	L1400.FKA10	L1402.LK08	12/14/15	10 -0,008 -0,015	8	35	15	M10x1,0	12	5,5
L1390.FK12	L1394.EK12	L1388.AK12	L1400.FKA12	L1402.LK08	14/15/16	12 -0,008 -0,015	10	35	15	M12x1,0	12	5,5
L1390.FK15	L1394.EK15	L1388.AK15	L1400.FKA15	L1402.LK08	18/20	15 -0,008 -0,017	12	48	20	M15x1,0	13	10,0
L1390.FK17	-	-	-	-	20/25	17 -0,008 -0,017	15	59	23	M17x1,0	17	10,0
L1390.FK20	L1394.EK20	L1388.AK20	L1400.FKA20	-	25/28/30	20 -0,008 -0,017	17	63	25	M20x1,0	15	11,0
L1390.FK25	-	-	-	-	30/32/36	25 -0,008 -0,017	20	76	30	M25x1,5	20	14,0
L1390.FK30	-	-	-	-	36/40	30 -0,008 -0,018	25	73	38	M30x1,5	25	9,0

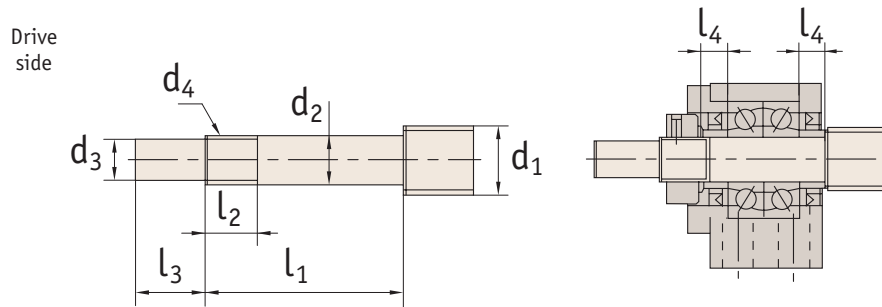


Technical Information

Fixed side for unit type L1392.BK

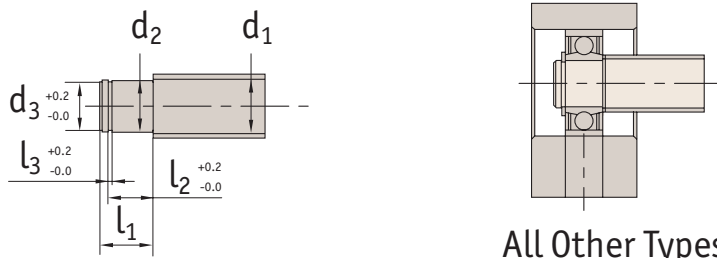


Bearing
Supports

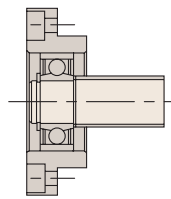


Part sno.	Thread ϕ	Shaft support ϕ					Thread		
		d_1	d_2	d_3	l_1	l_3	d_4	l_2	l_4
L1392.BK10	12/14/15	10	-0,008 -0,015	8	36	15	M10x1,0	12	5,5
L1392.BK12	14/15/16	12	-0,008 -0,015	10	36	15	M12x1,0	12	5,5
L1392.BK15	18/20	15	-0,008 -0,017	12	40	20	M15x1,0	12	6,0
L1392.BK17	20/25	17	-0,008 -0,017	15	53	23	M17x1,0	17	7,0
L1392.BK20	25/28	20	-0,008 -0,017	17	53	25	M20x1,0	15	8,0
L1392.BK25	32/36	25	-0,008 -0,017	20	66	30	M25x1,5	20	9,0
L1392.BK30	36/40	30	-0,008 -0,018	25	73	38	M30x1,5	25	9,0
L1392.BK35	45	35	-0,008 -0,018	30	82	45	M35x1,5	26	12,0
L1392.BK40	50	40	-0,008 -0,018	35	94	50	M40x1,5	30	15,0

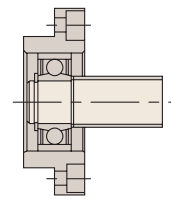
ov-bearing-supports-fixed-side-unit-types-b-rmh-Updated-16-03-2023



All Other Types



Type L1391.FF (Option 1)



Type L1391.FF (Option 2)

Part no.					Thread \varnothing	Shaft support \varnothing					
FF	EF	BF	AF	LF	d_1	d_2		l_1	d_3	l_2	l_3
L1391.FF06	L1395.EF06	-	-	-	8	6	-0,008 -0,015	9	5,7	6,8	0,80
-	L1395.EF08	-	-	L1403.LF08	10	6	-0,008 -0,015	9	5,7	6,8	0,80
L1391.FF10	L1395.EF10	L1393.BF10	L1389.AF10	-	12/14/15	8	-0,008 -0,015	10	7,6	7,9	0,90
L1391.FF12	L1395.EF12	L1393.BF12	L1389.AF12	L1403.LF12	14/15/16	10	-0,008 -0,015	11	9,6	9,15	1,15
L1391.FF15	L1395.EF15	L1393.BF15	L1389.AF15	L1403.LF15	18/20	15	-0,008 -0,017	13	14,3	10,15	1,15
L1391.FF17	-	L1393.BF17	-	-	20/25	17	-0,008 -0,017	16	16,2	13,15	1,15
L1391.FF20	L1395.EF20	(L1393.BF20)	L1389.AF20	-	25/28/30	20	-0,008 -0,017	19 (16*)	19,0	15,35 (13,15)	1,35
L1391.FF25	-	L1393.BF25	L1389.AF25	-	30/32/36	25	-0,008 -0,017	20	23,9	16,35	1,35
L1391.FF30	-	L1393.BF30	L1389.AF30	-	36/40	30	-0,008 -0,018	21	28,6	17,75	1,75
-	-	L1393.BF35	-	-	40/45	35	-0,008 -0,018	22	33,0	18,75	1,75
-	-	L1393.BF40	-	-	50	40	-0,008 -0,018	23	38,0	19,95	1,95

*applies to L1393.BF20 only.