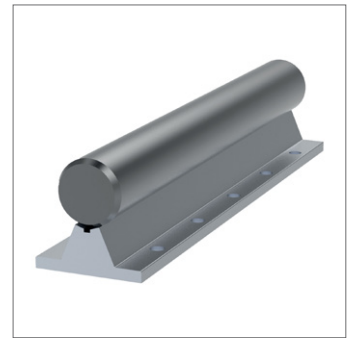
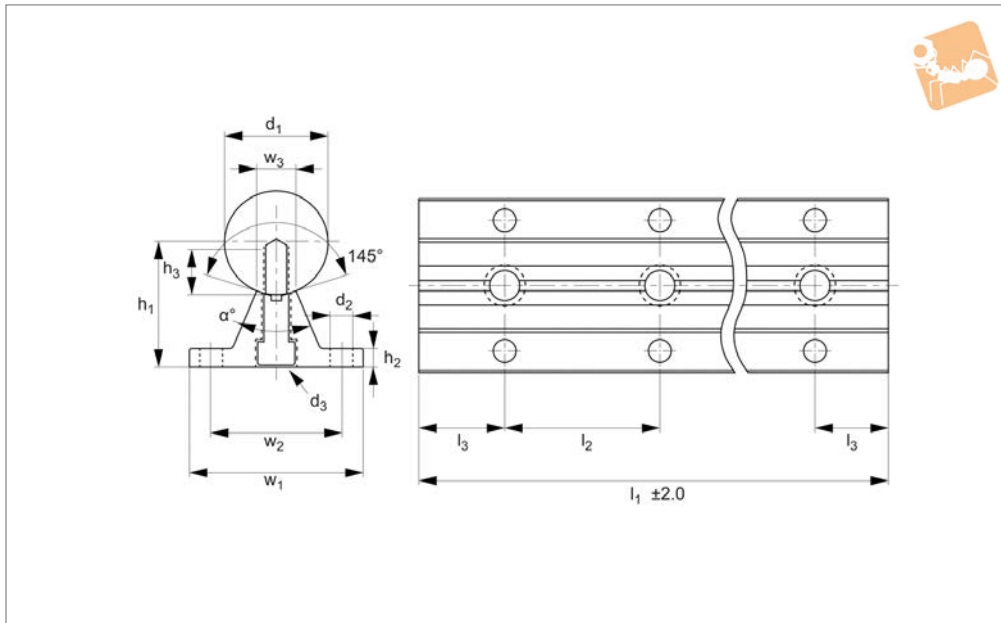




12Ø Shaft Support Rails

complete shaft and rail



L1780.12

LINEAR SHAFT SUPPORTS

Material

Hardened and ground carbon steel shaft (070M55, Cf53 - DIN 1.1213), aluminium alloy support rail.
Surface hardness of steel shaft 60-65 HRC.

Technical Notes

For open linear bushings, ensures a very rigid and stiff system.

The shaft is pre-mounted to the shaft support rail.

Standard lengths are shown which allow the distance to the first and last hole to be equal (ie $l_2/2$). Different holes pitches available on request.

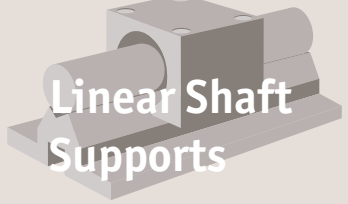
Straightness: $\pm 0.1\text{mm/metre}$.

Tips

For linear carriages see part no. L1755 (flanged) or L1752 (unflanged).
Stainless steel carriages also available, see part no. L1756 (flanged) or L1753 (unflanged).

On request a stainless steel (usually 440C) shaft can be mounted on the support rail.

Order No.	d_1 tol. h6	d_2	d_3	l_1	l_2	l_3	w_1	w_2	w_3	h_1 ± 0.01	h_2	h_3	α°
L1780.12-0240	12	4.5	M4x20	240	120	60	40	29	5.8	22	5	8	50
L1780.12-0360	12	4.5	M4x20	360	120	60	40	29	5.8	22	5	8	50
L1780.12-0480	12	4.5	M4x20	480	120	60	40	29	5.8	22	5	8	50
L1780.12-0600	12	4.5	M4x20	600	120	60	40	29	5.8	22	5	8	50
L1780.12-0720	12	4.5	M4x20	720	120	60	40	29	5.8	22	5	8	50
L1780.12-0840	12	4.5	M4x20	840	120	60	40	29	5.8	22	5	8	50
L1780.12-0960	12	4.5	M4x20	960	120	60	40	29	5.8	22	5	8	50
L1780.12-1080	12	4.5	M4x20	1080	120	60	40	29	5.8	22	5	8	50
L1780.12-1200	12	4.5	M4x20	1200	120	60	40	29	5.8	22	5	8	50
L1780.12-1320	12	4.5	M4x20	1320	120	60	40	29	5.8	22	5	8	50
L1780.12-1440	12	4.5	M4x20	1440	120	60	40	29	5.8	22	5	8	50
L1780.12-1560	12	4.5	M4x20	1560	120	60	40	29	5.8	22	5	8	50
L1780.12-1680	12	4.5	M4x20	1680	120	60	40	29	5.8	22	5	8	50
L1780.12-1800	12	4.5	M4x20	1800	120	60	40	29	5.8	22	5	8	50
L1780.12-1920	12	4.5	M4x20	1920	120	60	40	29	5.8	22	5	8	50
L1780.12-2040	12	4.5	M4x20	2040	120	60	40	29	5.8	22	5	8	50
L1780.12-2160	12	4.5	M4x20	2160	120	60	40	29	5.8	22	5	8	50
L1780.12-2280	12	4.5	M4x20	2280	120	60	40	29	5.8	22	5	8	50
L1780.12-2400	12	4.5	M4x20	2400	120	60	40	29	5.8	22	5	8	50
L1780.12-2520	12	4.5	M4x20	2520	120	60	40	29	5.8	22	5	8	50
L1780.12-2640	12	4.5	M4x20	2640	120	60	40	29	5.8	22	5	8	50
L1780.12-2760	12	4.5	M4x20	2760	120	60	40	29	5.8	22	5	8	50
L1780.12-2880	12	4.5	M4x20	2880	120	60	40	29	5.8	22	5	8	50
L1780.12-3000	12	4.5	M4x20	3000	120	60	40	29	5.8	22	5	8	50
L1780.12-3120	12	4.5	M4x20	3120	120	60	40	29	5.8	22	5	8	50
L1780.12-3240	12	4.5	M4x20	3240	120	60	40	29	5.8	22	5	8	50
L1780.12-3360	12	4.5	M4x20	3360	120	60	40	29	5.8	22	5	8	50
L1780.12-3480	12	4.5	M4x20	3480	120	60	40	29	5.8	22	5	8	50
L1780.12-3600	12	4.5	M4x20	3600	120	60	40	29	5.8	22	5	8	50



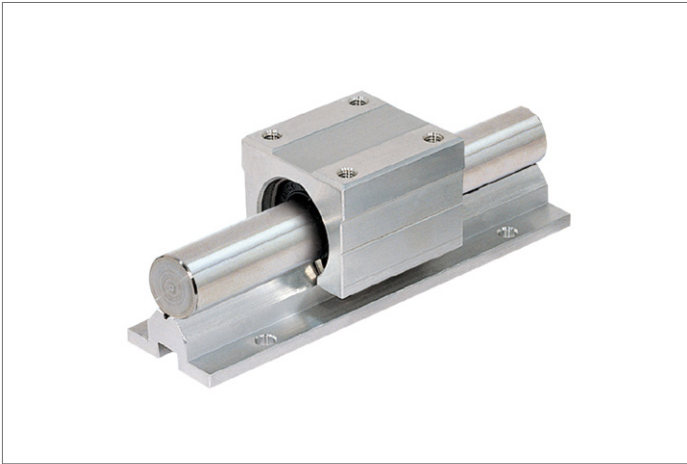
Linear Shaft Supports

12Ø Shaft Support Rails complete shaft and rail



LINEAR SHAFT SUPPORTS

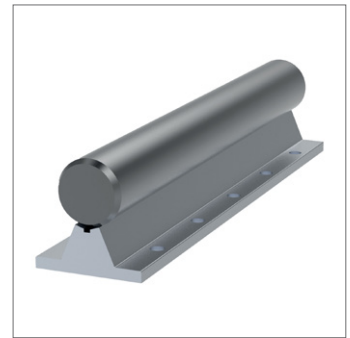
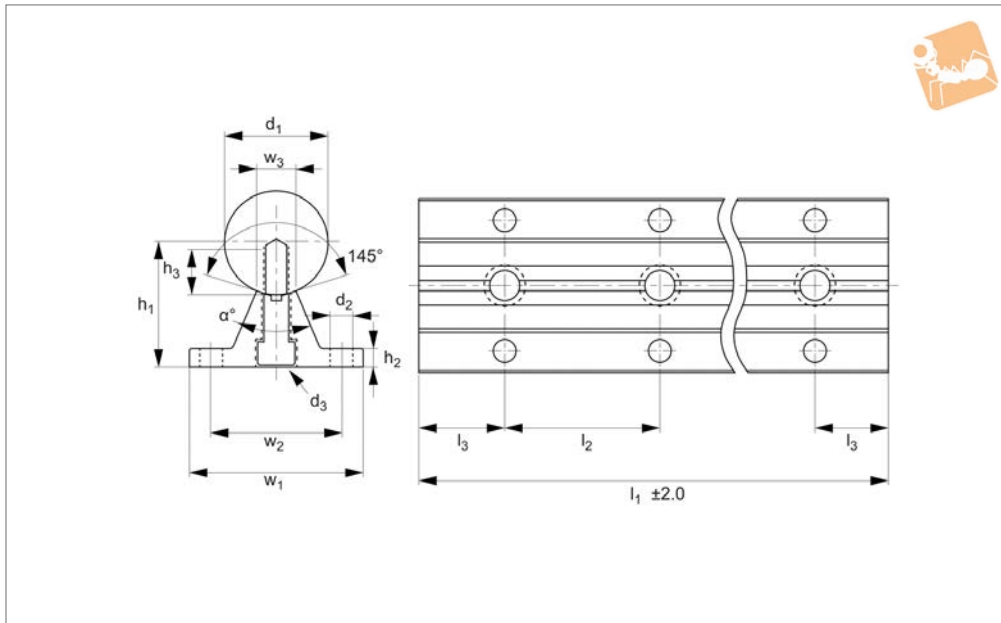
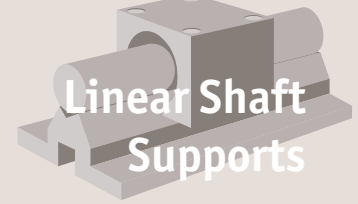
Order No.	d ₁ tol. h6	d ₂	d ₃	l ₁	l ₂	l ₃	w ₁	w ₂	w ₃	h ₁ ±0.01	h ₂	h ₃	α °
L1780.12-3720	12	4.5	M4x20	3720	120	60	40	29	5.8	22	5	8	50
L1780.12-3840	12	4.5	M4x20	3840	120	60	40	29	5.8	22	5	8	50
L1780.12-3960	12	4.5	M4x20	3960	120	60	40	29	5.8	22	5	8	50
L1780.12-4080	12	4.5	M4x20	4080	120	60	40	29	5.8	22	5	8	50
L1780.12-4200	12	4.5	M4x20	4200	120	60	40	29	5.8	22	5	8	50
L1780.12-4320	12	4.5	M4x20	4320	120	60	40	29	5.8	22	5	8	50
L1780.12-4440	12	4.5	M4x20	4440	120	60	40	29	5.8	22	5	8	50
L1780.12-4560	12	4.5	M4x20	4560	120	60	40	29	5.8	22	5	8	50
L1780.12-4680	12	4.5	M4x20	4680	120	60	40	29	5.8	22	5	8	50
L1780.12-4800	12	4.5	M4x20	4800	120	60	40	29	5.8	22	5	8	50
L1780.12-4920	12	4.5	M4x20	4920	120	60	40	29	5.8	22	5	8	50
L1780.12-5040	12	4.5	M4x20	5040	120	60	40	29	5.8	22	5	8	50
L1780.12-5160	12	4.5	M4x20	5150	120	60	40	29	5.8	22	5	8	50
L1780.12-5280	12	4.5	M4x20	5280	120	60	40	29	5.8	22	5	8	50
L1780.12-5400	12	4.5	M4x20	5400	120	60	40	29	5.8	22	5	8	50
L1780.12-5520	12	4.5	M4x20	5520	120	60	40	29	5.8	22	5	8	50
L1780.12-5640	12	4.5	M4x20	5640	120	60	40	29	5.8	22	5	8	50
L1780.12-5760	12	4.5	M4x20	5760	120	60	40	29	5.8	22	5	8	50
L1780.12-5880	12	4.5	M4x20	5880	120	60	40	29	5.8	22	5	8	50
L1780.12-6000	12	4.5	M4x20	6000	120	60	40	29	5.8	22	5	8	50





16Ø Shaft Support Rails

complete shaft and rail



L1780.16

LINEAR SHAFT SUPPORTS

Material

Hardened and ground carbon steel shaft (070M55, Cf53 - DIN 1.1213), aluminium alloy support rail.
Surface hardness of steel shaft 60-65 HRC.

Technical Notes

For open linear bushings, ensures a very rigid and stiff system.

The shaft is pre-mounted to the shaft support rail.

Standard lengths are shown which allow the distance to the first and last hole to be equal (ie $l_2/2$). Different holes pitches available on request.

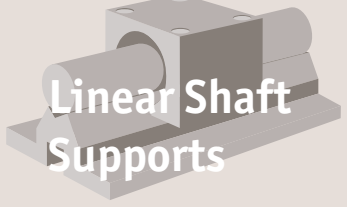
Straightness: $\pm 0.1\text{mm/metre}$.

Tips

For linear carriages see part no. L1755 (flanged) or L1752 (unflanged).
Stainless steel carriages also available, see part no. L1756 (flanged) or L1753 (unflanged).

On request a stainless steel (usually 440C) shaft can be mounted on the support rail.

Order No.	d_1 tol. h6	d_2	d_3	l_1	l_2	l_3	w_1	w_2	w_3	h_1 ± 0.01	h_2	h_3	α
L1780.16-0300	16	5.5	M5x20	300	150	75	45	33	7	26	5	9	50
L1780.16-0450	16	5.5	M5x20	450	150	75	45	33	7	26	5	9	50
L1780.16-0600	16	5.5	M5x20	600	150	75	45	33	7	26	5	9	50
L1780.16-0750	16	5.5	M5x20	750	150	75	45	33	7	26	5	9	50
L1780.16-0900	16	5.5	M5x20	900	150	75	45	33	7	26	5	9	50
L1780.16-1050	16	5.5	M5x20	1050	150	75	45	33	7	26	5	9	50
L1780.16-1200	16	5.5	M5x20	1200	150	75	45	33	7	26	5	9	50
L1780.16-1350	16	5.5	M5x20	1350	150	75	45	33	7	26	5	9	50
L1780.16-1500	16	5.5	M5x20	1500	150	75	45	33	7	26	5	9	50
L1780.16-1650	16	5.5	M5x20	1650	150	75	45	33	7	26	5	9	50
L1780.16-1800	16	5.5	M5x20	1800	150	75	45	33	7	26	5	9	50
L1780.16-1950	16	5.5	M5x20	1950	150	75	45	33	7	26	5	9	50
L1780.16-2100	16	5.5	M5x20	2100	150	75	45	33	7	26	5	9	50
L1780.16-2250	16	5.5	M5x20	2250	150	75	45	33	7	26	5	9	50
L1780.16-2400	16	5.5	M5x20	2400	150	75	45	33	7	26	5	9	50
L1780.16-2550	16	5.5	M5x20	2550	150	75	45	33	7	26	5	9	50
L1780.16-2700	16	5.5	M5x20	2700	150	75	45	33	7	26	5	9	50
L1780.16-2850	16	5.5	M5x20	2850	150	75	45	33	7	26	5	9	50
L1780.16-3000	16	5.5	M5x20	3000	150	75	45	33	7	26	5	9	50
L1780.16-3150	16	5.5	M5x20	3150	150	75	45	33	7	26	5	9	50
L1780.16-3300	16	5.5	M5x20	3300	150	75	45	33	7	26	5	9	50
L1780.16-3450	16	5.5	M5x20	3450	150	75	45	33	7	26	5	9	50
L1780.16-3600	16	5.5	M5x20	3600	150	75	45	33	7	26	5	9	50
L1780.16-3750	16	5.5	M5x20	3750	150	75	45	33	7	26	5	9	50
L1780.16-3900	16	5.5	M5x20	3900	150	75	45	33	7	26	5	9	50
L1780.16-4050	16	5.5	M5x20	4050	150	75	45	33	7	26	5	9	50
L1780.16-4200	16	5.5	M5x20	4200	150	75	45	33	7	26	5	9	50
L1780.16-4350	16	5.5	M5x20	4350	150	75	45	33	7	26	5	9	50
L1780.16-4500	16	5.5	M5x20	4500	150	75	45	33	7	26	5	9	50



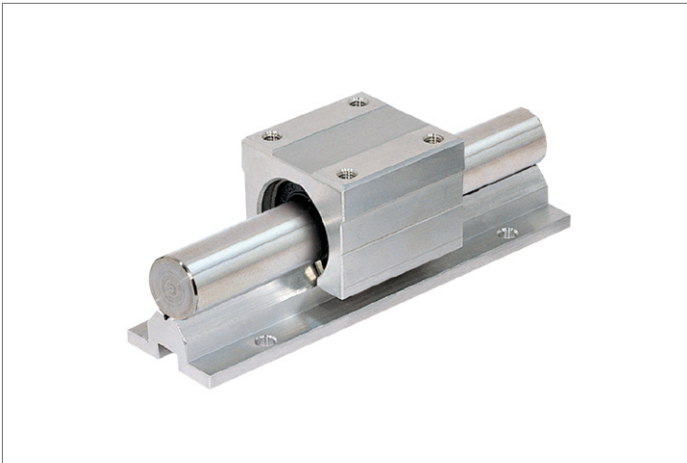
Linear Shaft Supports

16Ø Shaft Support Rails complete shaft and rail



Order No.	d ₁ tol. h6	d ₂	d ₃	l ₁	l ₂	l ₃	w ₁	w ₂	w ₃	h ₁ ±0.01	h ₂	h ₃	α °
L1780.16-4650	16	5.5	M5x20	4650	150	75	45	33	7	26	5	9	50
L1780.16-4800	16	5.5	M5x20	4800	150	75	45	33	7	26	5	9	50
L1780.16-4950	16	5.5	M5x20	4950	150	75	45	33	7	26	5	9	50
L1780.16-5100	16	5.5	M5x20	5100	150	75	45	33	7	26	5	9	50
L1780.16-5250	16	5.5	M5x20	5250	150	75	45	33	7	26	5	9	50
L1780.16-5400	16	5.5	M5x20	5400	150	75	45	33	7	26	5	9	50
L1780.16-5550	16	5.5	M5x20	5550	150	75	45	33	7	26	5	9	50
L1780.16-5700	16	5.5	M5x20	5700	150	75	45	33	7	26	5	9	50
L1780.16-5850	16	5.5	M5x20	5850	150	75	45	33	7	26	5	9	50
L1780.16-6000	16	5.5	M5x20	6000	150	75	45	33	7	26	5	9	50

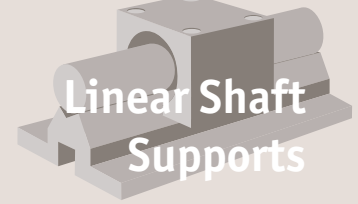
LINEAR SHAFT SUPPORTS



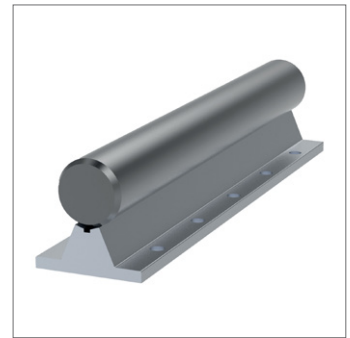
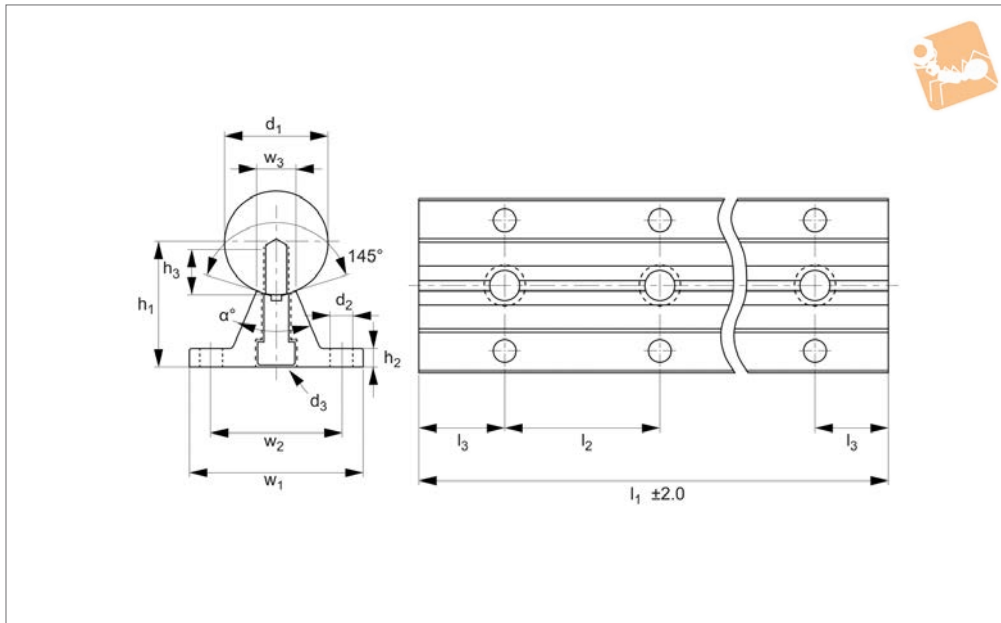


20Ø Shaft Support Rails

complete steel shaft and aluminium support



Linear Shaft Supports



L1780.20

LINEAR SHAFT SUPPORTS

Material

Hardened and ground carbon steel shaft (070M55, Cf53 - DIN 1.1213), aluminium alloy support rail.
Surface hardness of steel shaft 60-65 HRC.

Technical Notes

For open linear bushings, ensures a very rigid and stiff system.

The shaft is pre-mounted to the shaft support rail.

Standard lengths are shown which allow the distance to the first and last hole to be equal (ie $l_2/2$). Different holes pitches available on request.

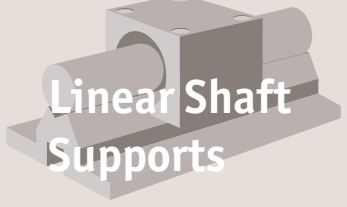
Straightness: $\pm 0.1\text{mm/metre}$.

Tips

For linear carriages see part no. L1755 (flanged) or L1752 (unflanged).
Stainless steel carriages also available, see part no. L1756 (flanged) or L1753 (unflanged).

On request a stainless steel (usually 440C) shaft can be mounted on the support rail.

Order No.	d_1 tol. h6	d_2	d_3	l_1	l_2	l_3	w_1	w_2	w_3	h_1 ± 0.01	h_2	h_3	α
L1780.20-0300	20	6.6	M6x25	300	150	75	52	37	8.3	32	6	11	50
L1780.20-0450	20	6.6	M6x25	450	150	75	52	37	8.3	32	6	11	50
L1780.20-0600	20	6.6	M6x25	600	150	75	52	37	8.3	32	6	11	50
L1780.20-0750	20	6.6	M6x25	750	150	75	52	37	8.3	32	6	11	50
L1780.20-0900	20	6.6	M6x25	900	150	75	52	37	8.3	32	6	11	50
L1780.20-1050	20	6.6	M6x25	1050	150	75	52	37	8.3	32	6	11	50
L1780.20-1200	20	6.6	M6x25	1200	150	75	52	37	8.3	32	6	11	50
L1780.20-1350	20	6.6	M6x25	1350	150	75	52	37	8.3	32	6	11	50
L1780.20-1500	20	6.6	M6x25	1500	150	75	52	37	8.3	32	6	11	50
L1780.20-1650	20	6.6	M6x25	1650	150	75	52	37	8.3	32	6	11	50
L1780.20-1800	20	6.6	M6x25	1800	150	75	52	37	8.3	32	6	11	50
L1780.20-1950	20	6.6	M6x25	1950	150	75	52	37	8.3	32	6	11	50
L1780.20-2100	20	6.6	M6x25	2100	150	75	52	37	8.3	32	6	11	50
L1780.20-2250	20	6.6	M6x25	2250	150	75	52	37	8.3	32	6	11	50
L1780.20-2400	20	6.6	M6x25	2400	150	75	52	37	8.3	32	6	11	50
L1780.20-2550	20	6.6	M6x25	2550	150	75	52	37	8.3	32	6	11	50
L1780.20-2700	20	6.6	M6x25	2700	150	75	52	37	8.3	32	6	11	50
L1780.20-2850	20	6.6	M6x25	2850	150	75	52	37	8.3	32	6	11	50
L1780.20-3000	20	6.6	M6x25	3000	150	75	52	37	8.3	32	6	11	50
L1780.20-3150	20	6.6	M6x25	3150	150	75	52	37	8.3	32	6	11	50
L1780.20-3300	20	6.6	M6x25	3300	150	75	52	37	8.3	32	6	11	50
L1780.20-3450	20	6.6	M6x25	3450	150	75	52	37	8.3	32	6	11	50
L1780.20-3600	20	6.6	M6x25	3600	150	75	52	37	8.3	32	6	11	50
L1780.20-3750	20	6.6	M6x25	3750	150	75	52	37	8.3	32	6	11	50
L1780.20-3900	20	6.6	M6x25	3900	150	75	52	37	8.3	32	6	11	50
L1780.20-4000	20	6.6	M6x25	4000	150	75	52	37	8.3	32	6	11	50
L1780.20-4050	20	6.6	M6x25	4050	150	75	52	37	8.3	32	6	11	50
L1780.20-4200	20	6.6	M6x25	4200	150	75	52	37	8.3	32	6	11	50
L1780.20-4350	20	6.6	M6x25	4350	150	75	52	37	8.3	32	6	11	50



Linear Shaft Supports

20Ø Shaft Support Rails

complete steel shaft and aluminium support



LINEAR SHAFT SUPPORTS

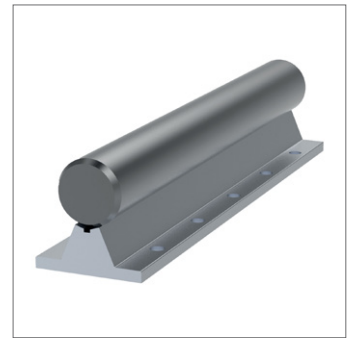
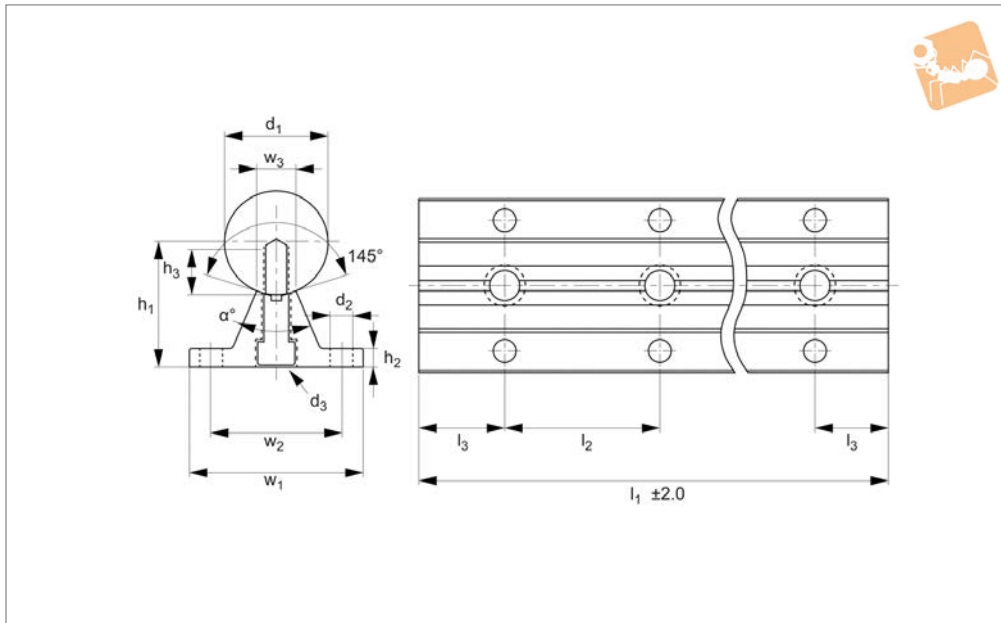
Order No.	d ₁ tol. h6	d ₂	d ₃	l ₁	l ₂	l ₃	w ₁	w ₂	w ₃	h ₁ ±0.01	h ₂	h ₃	α °
L1780.20-4500	20	6.6	M6x25	4500	150	75	52	37	8.3	32	6	11	50
L1780.20-4650	20	6.6	M6x25	4650	150	75	52	37	8.3	32	6	11	50
L1780.20-4800	20	6.6	M6x25	4800	150	75	52	37	8.3	32	6	11	50
L1780.20-4950	20	6.6	M6x25	4940	150	75	52	37	8.3	32	6	11	50
L1780.20-5100	20	6.6	M6x25	5100	150	75	52	37	8.3	32	6	11	50
L1780.20-5250	20	6.6	M6x25	5250	150	75	52	37	8.3	32	6	11	50
L1780.20-5400	20	6.6	M6x25	5400	150	75	52	37	8.3	32	6	11	50
L1780.20-5550	20	6.6	M6x25	5550	150	75	52	37	8.3	32	6	11	50
L1780.20-5700	20	6.6	M6x25	5700	150	75	52	37	8.3	32	6	11	50
L1780.20-5850	20	6.6	M6x25	5850	150	75	52	37	8.3	32	6	11	50
L1780.20-6000	20	6.6	M6x25	6000	150	75	52	37	8.3	32	6	11	50





25Ø Shaft Support Rails

complete steel shaft and aluminium support



L1780.25

LINEAR SHAFT SUPPORTS

Material

Hardened and ground carbon steel shaft (070M55, Cf53 - DIN 1.1213), aluminium alloy support rail.
Surface hardness of steel shaft 60-65 HRC.

Technical Notes

For open linear bushings, ensures a very rigid and stiff system.

The shaft is pre-mounted to the shaft support rail.

Standard lengths are shown which allow the distance to the first and last hole to be equal (ie $l_2/2$). Different holes pitches available on request.

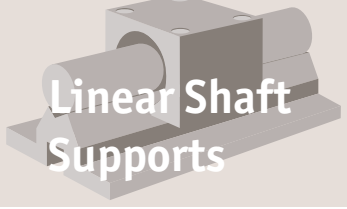
Straightness: $\pm 0.1\text{mm/metre}$.

Tips

For linear carriages see part no. L1755 (flanged) or L1752 (unflanged).
Stainless steel carriages also available, see part no. L1756 (flanged) or L1753 (unflanged).

On request a stainless steel (usually 440C) shaft can be mounted on the support rail.

Order No.	d_1 tol. h6	d_2	d_3	l_1	l_2	l_3	w_1	w_2	w_3	h_1 ± 0.01	h_2	h_3	α
L1780.25-0400	25	6.6	M8x30	400	200	100	57	42	10.8	36	6	15	50
L1780.25-0600	25	6.6	M8x30	600	200	100	57	42	10.8	36	6	15	50
L1780.25-0800	25	6.6	M8x30	800	200	100	57	42	10.8	36	6	15	50
L1780.25-1000	25	6.6	M8x30	1000	200	100	57	42	10.8	36	6	15	50
L1780.25-1200	25	6.6	M8x30	1200	200	100	57	42	10.8	36	6	15	50
L1780.25-1400	25	6.6	M8x30	1400	200	100	57	42	10.8	36	6	15	50
L1780.25-1600	25	6.6	M8x30	1600	200	100	57	42	10.8	36	6	15	50
L1780.25-1800	25	6.6	M8x30	1800	200	100	57	42	10.8	36	6	15	50
L1780.25-2000	25	6.6	M8x30	2000	200	100	57	42	10.8	36	6	15	50
L1780.25-2200	25	6.6	M8x30	2200	200	100	57	42	10.8	36	6	15	50
L1780.25-2400	25	6.6	M8x30	2400	200	100	57	42	10.8	36	6	15	50
L1780.25-2600	25	6.6	M8x30	2600	200	100	57	42	10.8	36	6	15	50
L1780.25-2800	25	6.6	M8x30	2800	200	100	57	42	10.8	36	6	15	50
L1780.25-3000	25	6.6	M8x30	3000	200	100	57	42	10.8	36	6	15	50
L1780.25-3200	25	6.6	M8x30	3200	200	100	57	42	10.8	36	6	15	50
L1780.25-3400	25	6.6	M8x30	3400	200	100	57	42	10.8	36	6	15	50
L1780.25-3600	25	6.6	M8x30	3600	200	100	57	42	10.8	36	6	15	50
L1780.25-3800	25	6.6	M8x30	3800	200	100	57	42	10.8	36	6	15	50
L1780.25-4000	25	6.6	M8x30	4000	200	100	57	42	10.8	36	6	15	50
L1780.25-4200	25	6.6	M8x30	4200	200	100	57	42	10.8	36	6	15	50
L1780.25-4400	25	6.6	M8x30	4400	200	100	57	42	10.8	36	6	15	50
L1780.25-4600	25	6.6	M8x30	4600	200	100	57	42	10.8	36	6	15	50
L1780.25-4800	25	6.6	M8x30	4800	200	100	57	42	10.8	36	6	15	50
L1780.25-5000	25	6.6	M8x30	5000	200	100	57	42	10.8	36	6	15	50
L1780.25-5200	25	6.6	M8x30	5200	200	100	57	42	10.8	36	6	15	50
L1780.25-5400	25	6.6	M8x30	5400	200	100	57	42	10.8	36	6	15	50
L1780.25-5600	25	6.6	M8x30	5600	200	100	57	42	10.8	36	6	15	50
L1780.25-5800	25	6.6	M8x30	5800	200	100	57	42	10.8	36	6	15	50
L1780.25-6000	25	6.6	M8x30	6000	200	100	57	42	10.8	36	6	15	50



Linear Shaft Supports

25Ø Shaft Support Rails

complete steel shaft and aluminium support



LINEAR SHAFT SUPPORTS



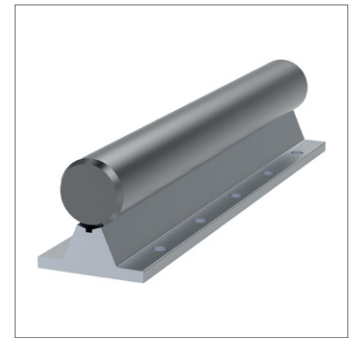
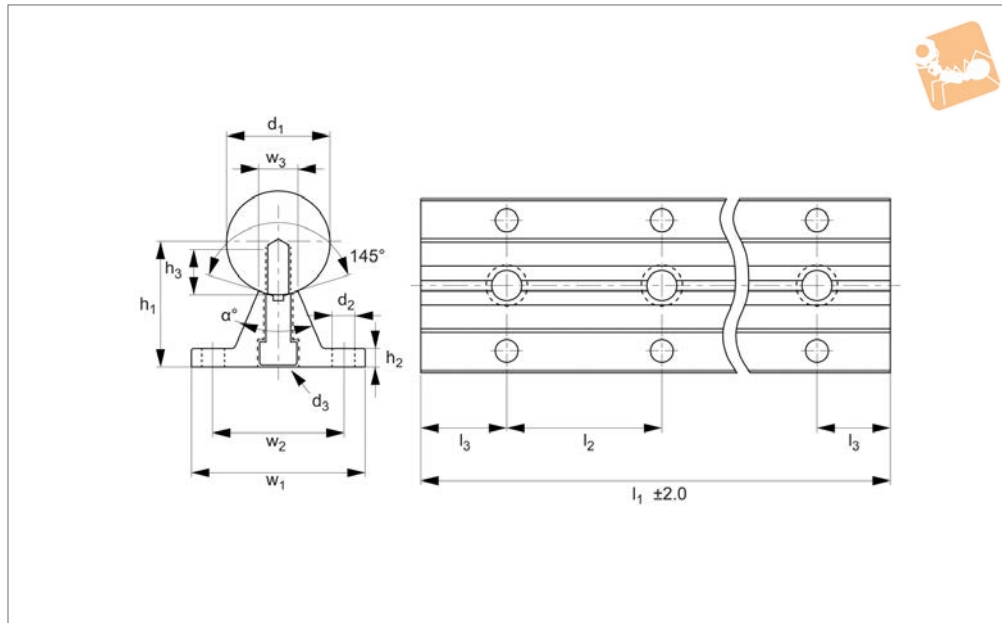


30Ø Shaft Support Rails

complete steel shaft and aluminium support



Linear Shaft Supports



L1780.30

LINEAR SHAFT SUPPORTS

Material

Hardened and ground carbon steel shaft (070M55, Cf53 - DIN 1.1213), aluminium alloy support rail.
Surface hardness of steel shaft 60-65 HRC.

Technical Notes

For open linear bushings, ensures a very rigid and stiff system.

The shaft is pre-mounted to the shaft support rail.

Standard lengths are shown which allow the distance to the first and last hole to be equal (ie $l_2/2$). Different holes pitches available on request.

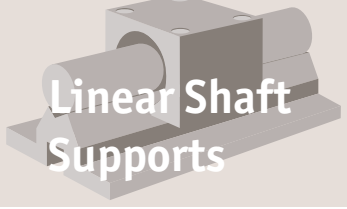
Straightness: $\pm 0.1\text{mm/metre}$.

Tips

For linear carriages see part no. L1755 (flanged) or L1752 (unflanged).
Stainless steel carriages also available, see part no. L1756 (flanged) or L1753 (unflanged).

On request a stainless steel (usually 440C) shaft can be mounted on the support rail.

Order No.	d_1 tol. h6	d_2	d_3	l_1	l_2	l_3	w_1	w_2	w_3	h_1 ± 0.02	h_2	h_3	α
L1780.30-0400	30	9	M10x35	400	200	100	69	51	11	42	7	17	50
L1780.30-0600	30	9	M10x35	600	200	100	69	51	11	42	7	17	50
L1780.30-0800	30	9	M10x35	800	200	100	69	51	11	42	7	17	50
L1780.30-1000	30	9	M10x35	1000	200	100	69	51	11	42	7	17	50
L1780.30-1200	30	9	M10x35	1200	200	100	69	51	11	42	7	17	50
L1780.30-1400	30	9	M10x35	1400	200	100	69	51	11	42	7	17	50
L1780.30-1600	30	9	M10x35	1600	200	100	69	51	11	42	7	17	50
L1780.30-1800	30	9	M10x35	1800	200	100	69	51	11	42	7	17	50
L1780.30-2000	30	9	M10x35	2000	200	100	69	51	11	42	7	17	50
L1780.30-2200	30	9	M10x35	2200	200	100	69	51	11	42	7	17	50
L1780.30-2400	30	9	M10x35	2400	200	100	69	51	11	42	7	17	50
L1780.30-2600	30	9	M10x35	2600	200	100	69	51	11	42	7	17	50
L1780.30-2800	30	9	M10x35	2800	200	100	69	51	11	42	7	17	50
L1780.30-3000	30	9	M10x35	3000	200	100	69	51	11	42	7	17	50
L1780.30-3200	30	9	M10x35	3200	200	100	69	51	11	42	7	17	50
L1780.30-3400	30	9	M10x35	3400	200	100	69	51	11	42	7	17	50
L1780.30-3600	30	9	M10x35	3600	200	100	69	51	11	42	7	17	50
L1780.30-3800	30	9	M10x35	3800	200	100	69	51	11	42	7	17	50
L1780.30-4000	30	9	M10x35	4000	200	100	69	51	11	42	7	17	50
L1780.30-4200	30	9	M10x35	4200	200	100	69	51	11	42	7	17	50
L1780.30-4400	30	9	M10x35	4400	200	100	69	51	11	42	7	17	50
L1780.30-4600	30	9	M10x35	4600	200	100	69	51	11	42	7	17	50
L1780.30-4800	30	9	M10x35	4800	200	100	69	51	11	42	7	17	50
L1780.30-5000	30	9	M10x35	5000	200	100	69	51	11	42	7	17	50
L1780.30-5200	30	9	M10x35	5200	200	100	69	51	11	42	7	17	50
L1780.30-5400	30	9	M10x35	5400	200	100	69	51	11	42	7	17	50
L1780.30-5600	30	9	M10x35	5600	200	100	69	51	11	42	7	17	50
L1780.30-5800	30	9	M10x35	5800	200	100	69	51	11	42	7	17	50
L1780.30-6000	30	9	M10x35	6000	200	100	69	51	11	42	7	17	50



Linear Shaft Supports

30Ø Shaft Support Rails

complete steel shaft and aluminium support



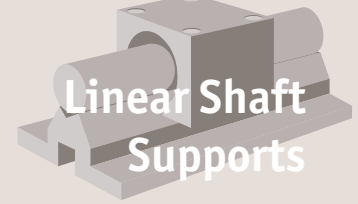
LINEAR SHAFT SUPPORTS



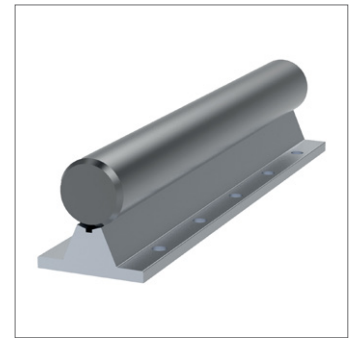
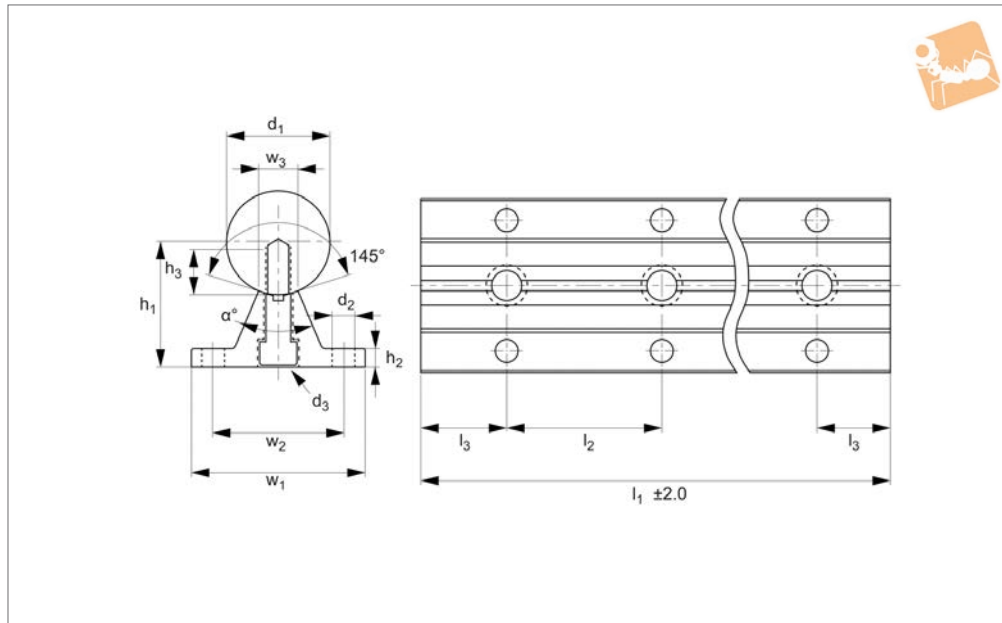


40Ø Shaft Support Rails

complete steel shaft and aluminium support



Linear Shaft Supports



L1780.40

LINEAR SHAFT SUPPORTS

Material

Hardened and ground carbon steel shaft (070M55, Cf53 - DIN 1.1213), aluminium alloy support rail.
Surface hardness of steel shaft 60-65 HRC.

Technical Notes

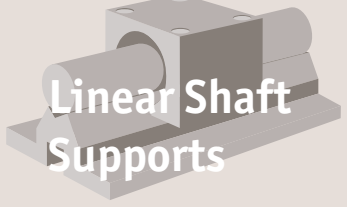
For open linear bushings, ensures a very rigid and stiff system.

The shaft is pre-mounted to the shaft support rail.
Standard lengths are shown which allow the distance to the first and last hole to be equal (ie $l_2/2$). Different holes pitches available on request.
Straightness: $\pm 0.1\text{mm/metre}$.

Tips

For linear carriages see part no. L1755 (flanged) or L1752 (unflanged).
Stainless steel carriages also available, see part no. L1756 (flanged) or L1753 (unflanged).
On request a stainless steel (usually 440C) shaft can be mounted on the support rail.

Order No.	d_1 tol. h6	d_2	d_3	l_1	l_2	l_3	w_1	w_2	w_3	h_1 ± 0.02	h_2	h_3	α
L1780.40-0600	40	9	M10x40	600	300	150	73	55	15	50	8	19	50
L1780.40-0900	40	9	M10x40	900	300	150	73	55	15	50	8	19	50
L1780.40-1200	40	9	M10x40	1200	300	150	73	55	15	50	8	19	50
L1780.40-1500	40	9	M10x40	1500	300	150	73	55	15	50	8	19	50
L1780.40-1800	40	9	M10x40	1800	300	150	73	55	15	50	8	19	50
L1780.40-2100	40	9	M10x40	2100	300	150	73	55	15	50	8	19	50
L1780.40-2400	40	9	M10x40	2400	300	150	73	55	15	50	8	19	50
L1780.40-2700	40	9	M10x40	2700	300	150	73	55	15	50	8	19	50
L1780.40-3000	40	9	M10x40	3000	300	150	73	55	15	50	8	19	50
L1780.40-3300	40	9	M10x40	3300	300	150	73	55	15	50	8	19	50
L1780.40-3600	40	9	M10x40	3600	300	150	73	55	15	50	8	19	50
L1780.40-3900	40	9	M10x40	3900	300	150	73	55	15	50	8	19	50
L1780.40-4200	40	9	M10x40	4200	300	150	73	55	15	50	8	19	50
L1780.40-4500	40	9	M10x40	4500	300	150	73	55	15	50	8	19	50
L1780.40-4800	40	9	M10x40	4800	300	150	73	55	15	50	8	19	50
L1780.40-5100	40	9	M10x40	5100	300	150	73	55	15	50	8	19	50
L1780.40-5400	40	9	M10x40	5400	300	150	73	55	15	50	8	19	50
L1780.40-5700	40	9	M10x40	5700	300	150	73	55	15	50	8	19	50
L1780.40-6000	40	9	M10x40	6000	300	150	73	55	15	50	8	19	50



Linear Shaft Supports

40Ø Shaft Support Rails

complete steel shaft and aluminium support



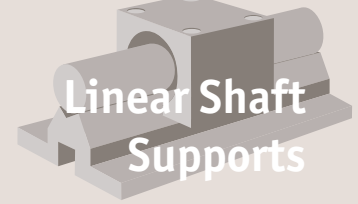
LINEAR SHAFT SUPPORTS



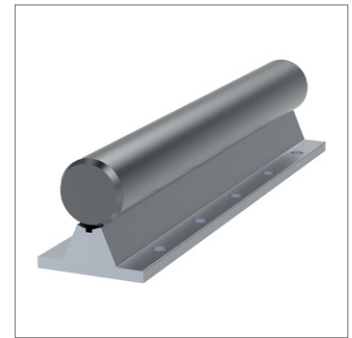
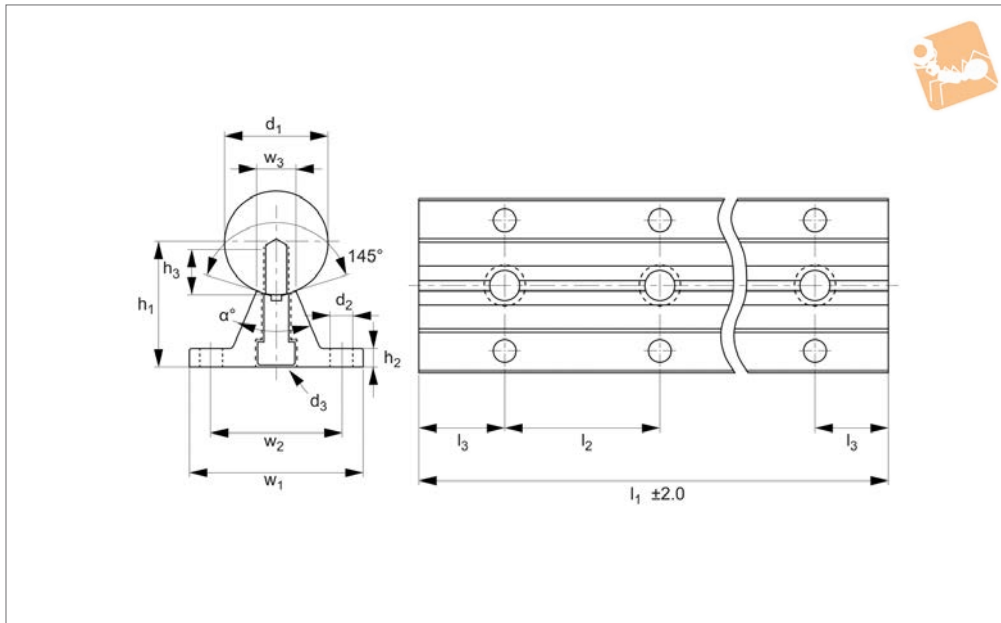


50Ø Shaft Support Rails

complete steel shaft and aluminium support



Linear Shaft Supports



L1780.50

LINEAR SHAFT SUPPORTS

Material

Hardened and ground carbon steel shaft (070M55, Cf53 - DIN 1.1213), aluminium alloy support rail.
Surface hardness of steel shaft 60-65 HRC.

Technical Notes

For open linear bushings, ensures a very rigid and stiff system.

The shaft is pre-mounted to the shaft support rail.

Standard lengths are shown which allow the distance to the first and last hole to be equal (ie $l_2/2$). Different holes pitches available on request.

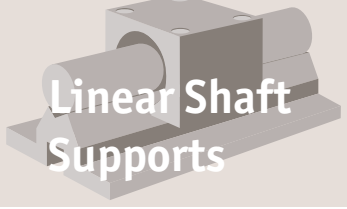
Straightness: $\pm 0.1\text{mm/metre}$.

Tips

For linear carriages see part no. L1755 (flanged) or L1752 (unflanged).
Stainless steel carriages also available, see part no. L1756 (flanged) or L1753 (unflanged).

On request a stainless steel (usually 440C) shaft can be mounted on the support rail.

Order No.	d_1 tol. h6	d_2	d_3	l_1	l_2	l_3	w_1	w_2	w_3	h_1 ± 0.02	h_2	h_3	α
L1780.50-0600	50	11	M12x45	600	300	150	84	63	19	60	9	21	46
L1780.50-0900	50	11	M12x45	900	300	150	84	63	19	60	9	21	46
L1780.50-1200	50	11	M12x45	1200	300	150	84	63	19	60	9	21	46
L1780.50-1500	50	11	M12x45	1500	300	150	84	63	19	60	9	21	46
L1780.50-1800	50	11	M12x45	1800	300	150	84	63	19	60	9	21	46
L1780.50-2100	50	11	M12x45	2100	300	150	84	63	19	60	9	21	46
L1780.50-2400	50	11	M12x45	2400	300	150	84	63	19	60	9	21	46
L1780.50-2700	50	11	M12x45	2700	300	150	84	63	19	60	9	21	46
L1780.50-3000	50	11	M12x45	3000	300	150	84	63	19	60	9	21	46
L1780.50-3300	50	11	M12x45	3300	300	150	84	63	19	60	9	21	46
L1780.50-3600	50	11	M12x45	3600	300	150	84	63	19	60	9	21	46
L1780.50-3900	50	11	M12x45	3900	300	150	84	63	19	60	9	21	46
L1780.50-4200	50	11	M12x45	4200	300	150	84	63	19	60	9	21	46
L1780.50-4500	50	11	M12x45	4500	300	150	84	63	19	60	9	21	46
L1780.50-4800	50	11	M12x45	4800	300	150	84	63	19	60	9	21	46
L1780.50-5100	50	11	M12x45	5100	300	150	84	63	19	60	9	21	46
L1780.50-5400	50	11	M12x45	5400	300	150	84	63	19	60	9	21	46
L1780.50-5700	50	11	M12x45	5700	300	150	84	63	19	60	9	21	46
L1780.50-6000	50	11	M12x45	6000	300	150	84	63	19	60	9	21	46



Linear Shaft Supports

50Ø Shaft Support Rails
complete steel shaft and aluminium support



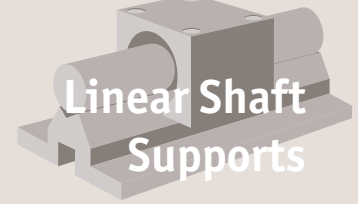
LINEAR SHAFT SUPPORTS



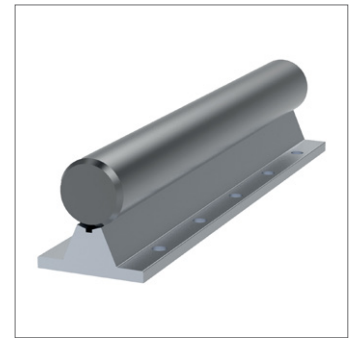
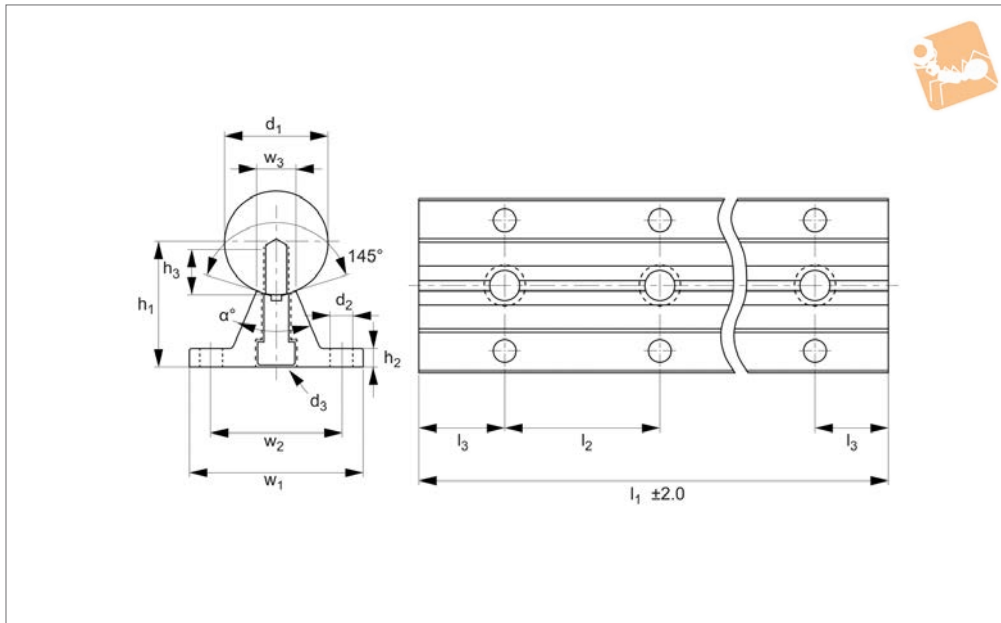


60Ø Shaft Support Rails

complete steel shaft and aluminium support



Linear Shaft Supports



L1780.60

LINEAR SHAFT SUPPORTS

Material

Hardened and ground carbon steel shaft (070M55, Cf53 - DIN 1.1213), aluminium alloy support rail.
Surface hardness of steel shaft 60-65 HRC.

Technical Notes

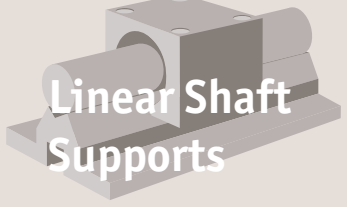
For open linear bushings, ensures a very rigid and stiff system.

The shaft is pre-mounted to the shaft support rail.
Standard lengths are shown which allow the distance to the first and last hole to be equal (ie $l_2/2$). Different holes pitches available on request.
Straightness: $\pm 0.1\text{mm/metre}$.

Tips

For linear carriages see part no. L1755 (flanged) or L1752 (unflanged).
Stainless steel carriages also available, see part no. L1756 (flanged) or L1753 (unflanged).
On request a stainless steel (usually 440C) shaft can be mounted on the support rail.

Order No.	d_1 tol. h6	d_2	d_3	l_1	l_2	l_3	w_1	w_2	w_3	h_1 ± 0.02	h_2	h_3	α
L1780.60-0600	60	11	M14x50	600	300	150	94	72	25	68	10	25	46
L1780.60-0900	60	11	M14x50	900	300	150	94	72	25	68	10	25	46
L1780.60-1200	60	11	M14x50	1200	300	150	94	72	25	68	10	25	46
L1780.60-1500	60	11	M14x50	1500	300	150	94	72	25	68	10	25	46
L1780.60-1800	60	11	M14x50	1800	300	150	94	72	25	68	10	25	46
L1780.60-2100	60	11	M14x50	2100	300	150	94	72	25	68	10	25	46
L1780.60-2400	60	11	M14x50	2400	300	150	94	72	25	68	10	25	46
L1780.60-2700	60	11	M14x50	2700	300	150	94	72	25	68	10	25	46
L1780.60-3000	60	11	M14x50	3000	300	150	94	72	25	68	10	25	46
L1780.60-3300	60	11	M14x50	3300	300	150	94	72	25	68	10	25	46
L1780.60-3600	60	11	M14x50	3600	300	150	94	72	25	68	10	25	46
L1780.60-3900	60	11	M14x50	3900	300	150	94	72	25	68	10	25	46
L1780.60-4200	60	11	M14x50	4200	300	150	94	72	25	68	10	25	46
L1780.60-4500	60	11	M14x50	4500	300	150	94	72	25	68	10	25	46
L1780.60-4800	60	11	M14x50	4800	300	150	94	72	25	68	10	25	46
L1780.60-5100	60	11	M14x50	5100	300	150	94	72	25	68	10	25	46
L1780.60-5400	60	11	M14x50	5400	300	150	94	72	25	68	10	25	46
L1780.60-5700	60	11	M14x50	5700	300	150	94	72	25	68	10	25	46
L1780.60-6000	60	11	M14x50	6000	300	150	94	72	25	68	10	25	46

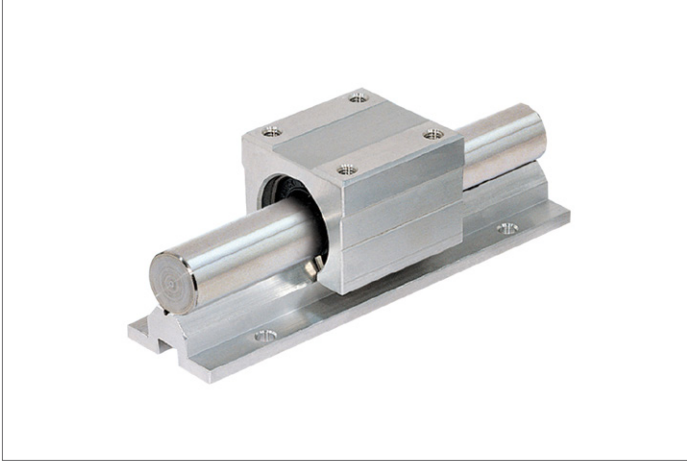


Linear Shaft Supports

60Ø Shaft Support Rails
complete steel shaft and aluminium support



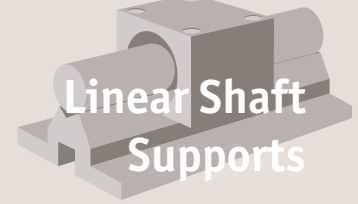
LINEAR SHAFT SUPPORTS



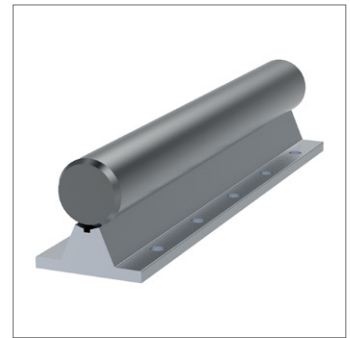
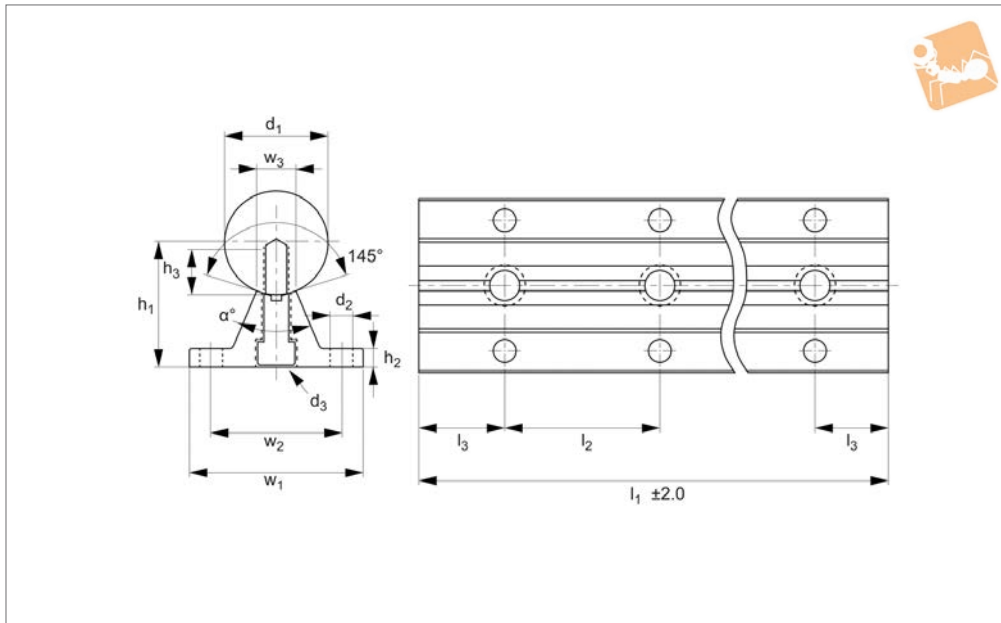


80Ø Shaft Support Rails

complete steel shaft and aluminium support



Linear Shaft Supports



L1780.80

LINEAR SHAFT SUPPORTS

Material

Hardened and ground carbon steel shaft (070M55, Cf53 - DIN 1.1213), aluminium alloy support rail.
Surface hardness of steel shaft 60-65 HRC.

Technical Notes

For open linear bushings, ensures a very rigid and stiff system.

The shaft is pre-mounted to the shaft support rail.

Standard lengths are shown which allow the distance to the first and last hole to be equal (ie $l_2/2$). Different holes pitches available on request.

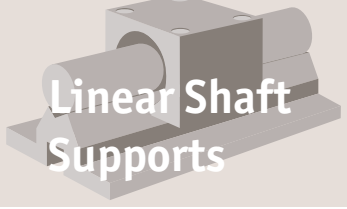
Straightness: $\pm 0.1\text{mm/metre}$.

Tips

For linear carriages see part no. L1755 (flanged) or L1752 (unflanged).
Stainless steel carriages also available, see part no. L1756 (flanged) or L1753 (unflanged).

On request a stainless steel (usually 440C) shaft can be mounted on the support rail.

Order No.	d_1 tol. h6	d_2	d_3	l_1	l_2	l_3	w_1	w_2	w_3	h_1 ± 0.02	h_2	h_3	α
L1780.80-0600	80	13.5	M16x60	600	300	150	116	92	34	86	12	28	46
L1780.80-0900	80	13.5	M16x60	900	300	150	116	92	34	86	12	28	46
L1780.80-1200	80	13.5	M16x60	1200	300	150	116	92	34	86	12	28	46
L1780.80-1500	80	13.5	M16x60	1500	300	150	116	92	34	86	12	28	46
L1780.80-1800	80	13.5	M16x60	1800	300	150	116	92	34	86	12	28	46
L1780.80-2100	80	13.5	M16x60	2100	300	150	116	92	34	86	12	28	46
L1780.80-2400	80	13.5	M16x60	2400	300	150	116	92	34	86	12	28	46
L1780.80-2700	80	13.5	M16x60	2700	300	150	116	92	34	86	12	28	46
L1780.80-3000	80	13.5	M16x60	3000	300	150	116	92	34	86	12	28	46
L1780.80-3300	80	13.5	M16x60	3300	300	150	116	92	34	86	12	28	46
L1780.80-3600	80	13.5	M16x60	3600	300	150	116	92	34	86	12	28	46
L1780.80-3900	80	13.5	M16x60	3900	300	150	116	92	34	86	12	28	46
L1780.80-4200	80	13.5	M16x60	4200	300	150	116	92	34	86	12	28	46
L1780.80-4500	80	13.5	M16x60	4500	300	150	116	92	34	86	12	28	46
L1780.80-4800	80	13.5	M16x60	4800	300	150	116	92	34	86	12	28	46
L1780.80-5100	80	13.5	M16x60	5100	300	150	116	92	34	86	12	28	46
L1780.80-5400	80	13.5	M16x60	5400	300	150	116	92	34	86	12	28	46
L1780.80-5700	80	13.5	M16x60	5700	300	150	116	92	34	86	12	28	46
L1780.80-6000	80	13.5	M16x60	6000	300	150	116	92	34	86	12	28	46

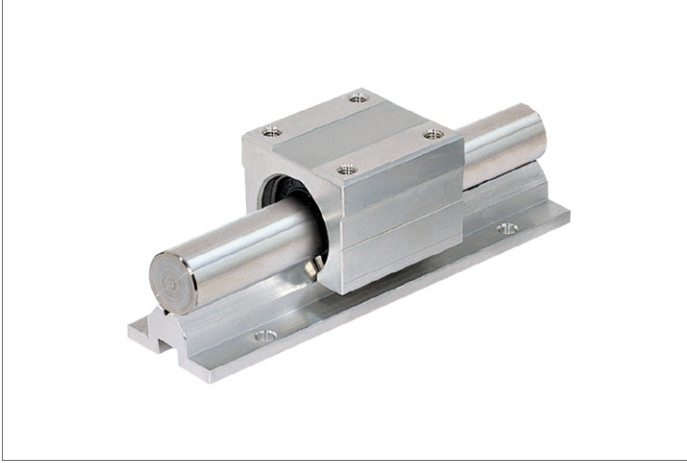


Linear Shaft Supports

80Ø Shaft Support Rails
complete steel shaft and aluminium support



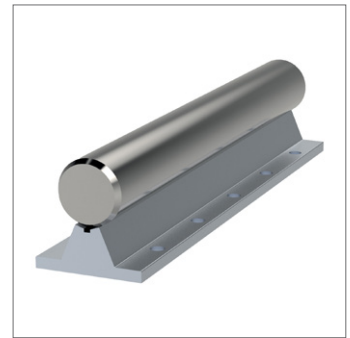
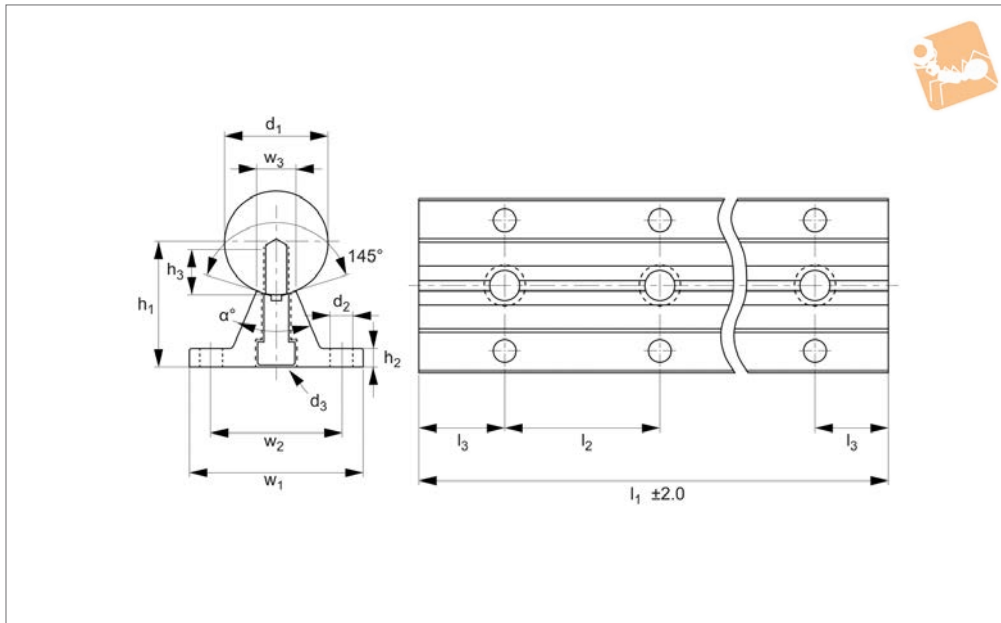
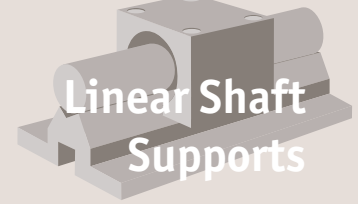
LINEAR SHAFT SUPPORTS





12Ø Shaft Support Rails

complete shaft and rail



L1781.12

LINEAR SHAFT SUPPORTS

Material

Hardened and ground stainless steel shaft (440C), aluminium alloy support rail.
Surface hardness of shaft 60-65 HRC.

Technical Notes

For open linear bushings, ensures a very rigid and stiff system.

The shaft is pre-mounted to the shaft support rail.

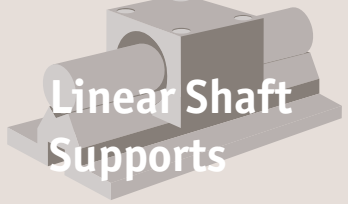
Standard lengths are shown which allow the distance to the first and last hole to be equal (ie $l_2/2$). Different holes pitches available on request.

Straightness: $\pm 0.1\text{mm/metre}$.

Tips

For linear carriages see part no. L1755 (flanged) or L1752 (unflanged).
Stainless steel carriages also available, see part no. L1756 (flanged) or L1753 (unflanged).

Order No.	d_1 tol. h6	d_2	d_3	l_1	l_2	l_3	w_1	w_2	w_3	h_1 ± 0.02	h_2	h_3	α
L1781.12-0240	12	4.5	M4x20	240	120	60	40	29	5.8	22	5	8	50
L1781.12-0360	12	4.5	M4x20	360	120	60	40	29	5.8	22	5	8	50
L1781.12-0480	12	4.5	M4x20	480	120	60	40	29	5.8	22	5	8	50
L1781.12-0600	12	4.5	M4x20	600	120	60	40	29	5.8	22	5	8	50
L1781.12-0720	12	4.5	M4x20	720	120	60	40	29	5.8	22	5	8	50
L1781.12-0840	12	4.5	M4x20	840	120	60	40	29	5.8	22	5	8	50
L1781.12-0960	12	4.5	M4x20	960	120	60	40	29	5.8	22	5	8	50
L1781.12-1080	12	4.5	M4x20	1080	120	60	40	29	5.8	22	5	8	50
L1781.12-1200	12	4.5	M4x20	1200	120	60	40	29	5.8	22	5	8	50
L1781.12-1320	12	4.5	M4x20	1320	120	60	40	29	5.8	22	5	8	50
L1781.12-1440	12	4.5	M4x20	1440	120	60	40	29	5.8	22	5	8	50
L1781.12-1560	12	4.5	M4x20	1560	120	60	40	29	5.8	22	5	8	50
L1781.12-1680	12	4.5	M4x20	1680	120	60	40	29	5.8	22	5	8	50
L1781.12-1800	12	4.5	M4x20	1800	120	60	40	29	5.8	22	5	8	50
L1781.12-1920	12	4.5	M4x20	1920	120	60	40	29	5.8	22	5	8	50
L1781.12-2040	12	4.5	M4x20	2040	120	60	40	29	5.8	22	5	8	50
L1781.12-2160	12	4.5	M4x20	2160	120	60	40	29	5.8	22	5	8	50
L1781.12-2280	12	4.5	M4x20	2280	120	60	40	29	5.8	22	5	8	50
L1781.12-2400	12	4.5	M4x20	2400	120	60	40	29	5.8	22	5	8	50
L1781.12-2520	12	4.5	M4x20	2520	120	60	40	29	5.8	22	5	8	50
L1781.12-2640	12	4.5	M4x20	2640	120	60	40	29	5.8	22	5	8	50
L1781.12-2760	12	4.5	M4x20	2760	120	60	40	29	5.8	22	5	8	50
L1781.12-2880	12	4.5	M4x20	2880	120	60	40	29	5.8	22	5	8	50
L1781.12-3000	12	4.5	M4x20	3000	120	60	40	29	5.8	22	5	8	50
L1781.12-3120	12	4.5	M4x20	3120	120	60	40	29	5.8	22	5	8	50
L1781.12-3240	12	4.5	M4x20	3240	120	60	40	29	5.8	22	5	8	50
L1781.12-3360	12	4.5	M4x20	3360	120	60	40	29	5.8	22	5	8	50
L1781.12-3480	12	4.5	M4x20	3480	120	60	40	29	5.8	22	5	8	50
L1781.12-3600	12	4.5	M4x20	3600	120	60	40	29	5.8	22	5	8	50
L1781.12-3720	12	4.5	M4x20	3720	120	60	40	29	5.8	22	5	8	50



Linear Shaft Supports

12Ø Shaft Support Rails complete shaft and rail



LINEAR SHAFT SUPPORTS

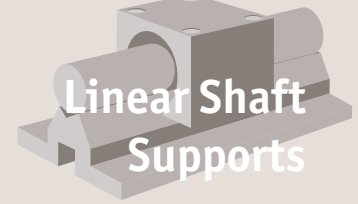
Order No.	d ₁ tol. h6	d ₂	d ₃	l ₁	l ₂	l ₃	w ₁	w ₂	w ₃	h ₁ ±0.02	h ₂	h ₃	α °
L1781.12-3840	12	4.5	M4x20	3840	120	60	40	29	5.8	22	5	8	50
L1781.12-3960	12	4.5	M4x20	3960	120	60	40	29	5.8	22	5	8	50
L1781.12-4080	12	4.5	M4x20	4080	120	60	40	29	5.8	22	5	8	50
L1781.12-4200	12	4.5	M4x20	4200	120	60	40	29	5.8	22	5	8	50
L1781.12-4320	12	4.5	M4x20	4320	120	60	40	29	5.8	22	5	8	50
L1781.12-4440	12	4.5	M4x20	4440	120	60	40	29	5.8	22	5	8	50
L1781.12-4560	12	4.5	M4x20	4560	120	60	40	29	5.8	22	5	8	50
L1781.12-4680	12	4.5	M4x20	4680	120	60	40	29	5.8	22	5	8	50
L1781.12-4800	12	4.5	M4x20	4800	120	60	40	29	5.8	22	5	8	50
L1781.12-4920	12	4.5	M4x20	4920	120	60	40	29	5.8	22	5	8	50
L1781.12-5040	12	4.5	M4x20	5040	120	60	40	29	5.8	22	5	8	50
L1781.12-5160	12	4.5	M4x20	5160	120	60	40	29	5.8	22	5	8	50
L1781.12-5280	12	4.5	M4x20	5280	120	60	40	29	5.8	22	5	8	50
L1781.12-5400	12	4.5	M4x20	5400	120	60	40	29	5.8	22	5	8	50
L1781.12-5520	12	4.5	M4x20	5520	120	60	40	29	5.8	22	5	8	50
L1781.12-5640	12	4.5	M4x20	5640	120	60	40	29	5.8	22	5	8	50
L1781.12-5760	12	4.5	M4x20	5760	120	60	40	29	5.8	22	5	8	50
L1781.12-5880	12	4.5	M4x20	5880	120	60	40	29	5.8	22	5	8	50
L1781.12-6000	12	4.5	M4x20	6000	120	60	40	29	5.8	22	5	8	50



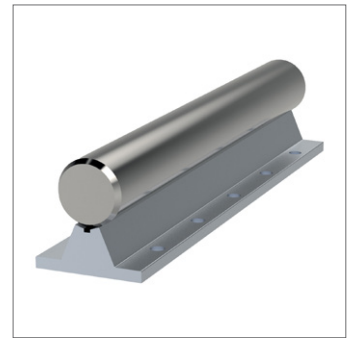
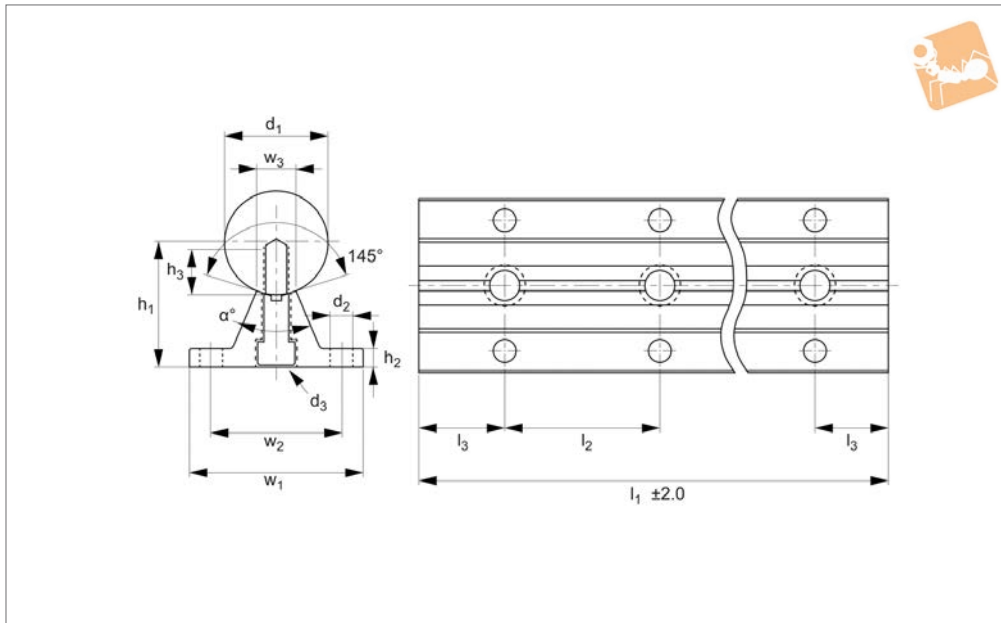


16Ø Shaft Support Rails

complete steel shaft and aluminium support



Linear Shaft Supports



L1781.16

LINEAR SHAFT SUPPORTS

Material

Hardened and ground stainless steel shaft (440C), aluminium alloy support rail.
Surface hardness of shaft 60-65 HRC.

Technical Notes

For open linear bushings, ensures a very rigid and stiff system.

The shaft is pre-mounted to the shaft support rail.

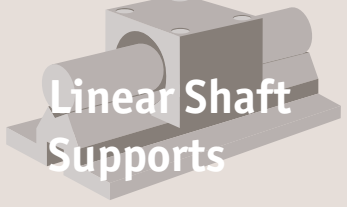
Standard lengths are shown which allow the distance to the first and last hole to be equal (ie $l_2/2$). Different holes pitches available on request.

Straightness: $\pm 0.1\text{mm/metre}$.

Tips

For linear carriages see part no. L1755 (flanged) or L1752 (unflanged).
Stainless steel carriages also available, see part no. L1756 (flanged) or L1753 (unflanged).

Order No.	d_1 tol. h6	d_2	d_3	l_1	l_2	l_3	w_1	w_2	w_3	h_1 ± 0.02	h_2	h_3	α
L1781.16-0300	16	5.5	M5x20	300	150	75	45	33	7	26	5	9	50
L1781.16-0450	16	5.5	M5x20	450	150	75	45	33	7	26	5	9	50
L1781.16-0600	16	5.5	M5x20	600	150	75	45	33	7	26	5	9	50
L1781.16-0750	16	5.5	M5x20	750	150	75	45	33	7	26	5	9	50
L1781.16-0900	16	5.5	M5x20	900	150	75	45	33	7	26	5	9	50
L1781.16-1050	16	5.5	M5x20	1050	150	75	45	33	7	26	5	9	50
L1781.16-1200	16	5.5	M5x20	1200	150	75	45	33	7	26	5	9	50
L1781.16-1350	16	5.5	M5x20	1350	150	75	45	33	7	26	5	9	50
L1781.16-1500	16	5.5	M5x20	1500	150	75	45	33	7	26	5	9	50
L1781.16-1650	16	5.5	M5x20	1650	150	75	45	33	7	26	5	9	50
L1781.16-1800	16	5.5	M5x20	1800	150	75	45	33	7	26	5	9	50
L1781.16-1950	16	5.5	M5x20	1950	150	75	45	33	7	26	5	9	50
L1781.16-2100	16	5.5	M5x20	2100	150	75	45	33	7	26	5	9	50
L1781.16-2250	16	5.5	M5x20	2250	150	75	45	33	7	26	5	9	50
L1781.16-2400	16	5.5	M5x20	2400	150	75	45	33	7	26	5	9	50
L1781.16-2550	16	5.5	M5x20	2550	150	75	45	33	7	26	5	9	50
L1781.16-2700	16	5.5	M5x20	2700	150	75	45	33	7	26	5	9	50
L1781.16-2850	16	5.5	M5x20	2850	150	75	45	33	7	26	5	9	50
L1781.16-3000	16	5.5	M5x20	3000	150	75	45	33	7	26	5	9	50
L1781.16-3150	16	5.5	M5x20	3150	150	75	45	33	7	26	5	9	50
L1781.16-3300	16	5.5	M5x20	3300	150	75	45	33	7	26	5	9	50
L1781.16-3450	16	5.5	M5x20	3450	150	75	45	33	7	26	5	9	50
L1781.16-3600	16	5.5	M5x20	3600	150	75	45	33	7	26	5	9	50
L1781.16-3750	16	5.5	M5x20	3750	150	75	45	33	7	26	5	9	50
L1781.16-3900	16	5.5	M5x20	3900	150	75	45	33	7	26	5	9	50
L1781.16-4050	16	5.5	M5x20	4050	150	75	45	33	7	26	5	9	50
L1781.16-4200	16	5.5	M5x20	4200	150	75	45	33	7	26	5	9	50
L1781.16-4350	16	5.5	M5x20	4350	150	75	45	33	7	26	5	9	50
L1781.16-4500	16	5.5	M5x20	4500	150	75	45	33	7	26	5	9	50
L1781.16-4650	16	5.5	M5x20	4650	150	75	45	33	7	26	5	9	50



Linear Shaft Supports

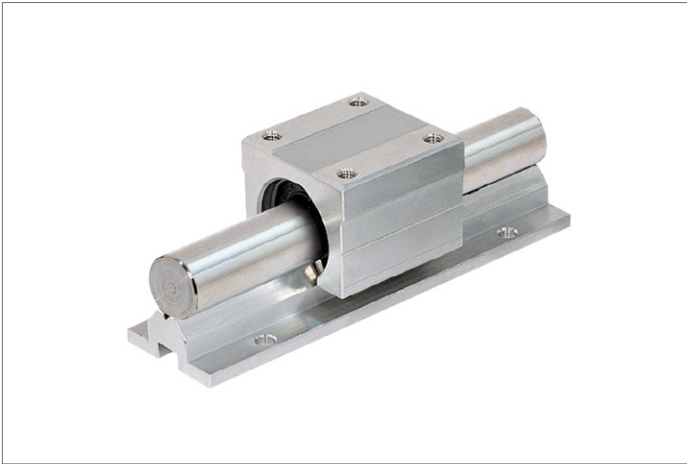
16Ø Shaft Support Rails

complete steel shaft and aluminium support



Order No.	d ₁ tol. h6	d ₂	d ₃	l ₁	l ₂	l ₃	w ₁	w ₂	w ₃	h ₁ ±0.02	h ₂	h ₃	α °
L1781.16-4800	16	5.5	M5x20	4800	150	75	45	33	7	26	5	9	50
L1781.16-4950	16	5.5	M5x20	4950	150	75	45	33	7	26	5	9	50
L1781.16-5100	16	5.5	M5x20	5100	150	75	45	33	7	26	5	9	50
L1781.16-5250	16	5.5	M5x20	5250	150	75	45	33	7	26	5	9	50
L1781.16-5400	16	5.5	M5x20	5400	150	75	45	33	7	26	5	9	50
L1781.16-5550	16	5.5	M5x20	5550	150	75	45	33	7	26	5	9	50
L1781.16-5700	16	5.5	M5x20	5700	150	75	45	33	7	26	5	9	50
L1781.16-5850	16	5.5	M5x20	5850	150	75	45	33	7	26	5	9	50
L1781.16-6000	16	5.5	M5x20	6000	150	75	45	33	7	26	5	9	50

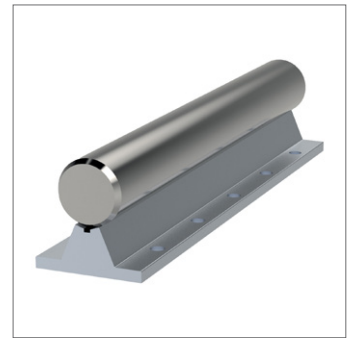
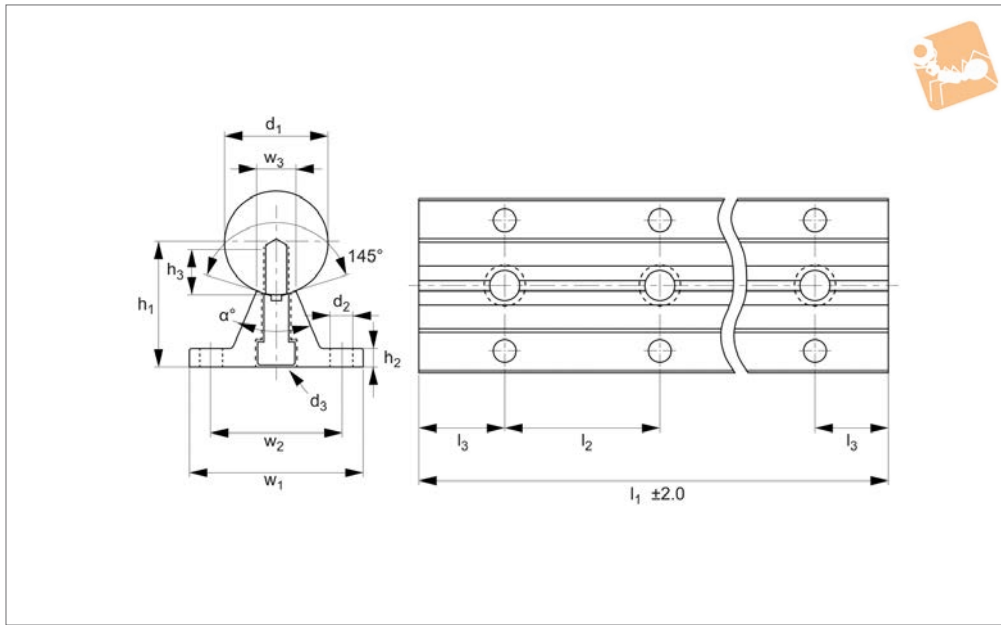
LINEAR SHAFT SUPPORTS





20Ø Shaft Support Rails

complete stainless and aluminium support



L1781.20

LINEAR SHAFT SUPPORTS

Material

Hardened and ground stainless steel shaft (440C), aluminium alloy support rail. Surface hardness of shaft 60-65 HRC.

Technical Notes

For open linear bushings, ensures a very rigid and stiff system.

The shaft is pre-mounted to the shaft support rail.

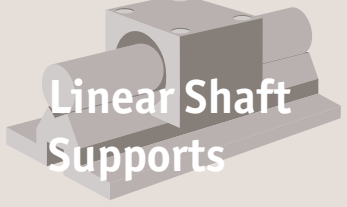
Standard lengths are shown which allow the distance to the first and last hole to be equal (ie $l_2/2$). Different holes pitches available on request.

Straightness: $\pm 0.1\text{mm/metre}$.

Tips

For linear carriages see part no. L1755 (flanged) or L1752 (unflanged). Stainless steel carriages also available, see part no. L1756 (flanged) or L1753 (unflanged).

Order No.	d_1 tol. h6	d_2	d_3	l_1	l_2	l_3	w_1	w_2	w_3	h_1 ± 0.02	h_2	h_3	α °
L1781.20-0300	20	6.6	M6x25	300	150	75	52	37	8.3	32	6	11	50
L1781.20-0450	20	6.6	M6x25	450	150	75	52	37	8.3	32	6	11	50
L1781.20-0600	20	6.6	M6x25	600	150	75	52	37	8.3	32	6	11	50
L1781.20-0750	20	6.6	M6x25	750	150	75	52	37	8.3	32	6	11	50
L1781.20-0900	20	6.6	M6x25	900	150	75	52	37	8.3	32	6	11	50
L1781.20-1050	20	6.6	M6x25	1050	150	75	52	37	8.3	32	6	11	50
L1781.20-1200	20	6.6	M6x25	1200	150	75	52	37	8.3	32	6	11	50
L1781.20-1350	20	6.6	M6x25	1350	150	75	52	37	8.3	32	6	11	50
L1781.20-1500	20	6.6	M6x25	1500	150	75	52	37	8.3	32	6	11	50
L1781.20-1650	20	6.6	M6x25	1650	150	75	52	37	8.3	32	6	11	50
L1781.20-1800	20	6.6	M6x25	1800	150	75	52	37	8.3	32	6	11	50
L1781.20-1950	20	6.6	M6x25	1950	150	75	52	37	8.3	32	6	11	50
L1781.20-2100	20	6.6	M6x25	2100	150	75	52	37	8.3	32	6	11	50
L1781.20-2250	20	6.6	M6x25	2250	150	75	52	37	8.3	32	6	11	50
L1781.20-2400	20	6.6	M6x25	2400	150	75	52	37	8.3	32	6	11	50
L1781.20-2550	20	6.6	M6x25	2550	150	75	52	37	8.3	32	6	11	50
L1781.20-2700	20	6.6	M6x25	2700	150	75	52	37	8.3	32	6	11	50
L1781.20-2850	20	6.6	M6x25	2850	150	75	52	37	8.3	32	6	11	50
L1781.20-3000	20	6.6	M6x25	3000	150	75	52	37	8.3	32	6	11	50
L1781.20-3150	20	6.6	M6x25	3150	150	75	52	37	8.3	32	6	11	50
L1781.20-3300	20	6.6	M6x25	3300	150	75	52	37	8.3	32	6	11	50
L1781.20-3450	20	6.6	M6x25	3450	150	75	52	37	8.3	32	6	11	50
L1781.20-3600	20	6.6	M6x25	3600	150	75	52	37	8.3	32	6	11	50
L1781.20-3750	20	6.6	M6x25	3750	150	75	52	37	8.3	32	6	11	50
L1781.20-3900	20	6.6	M6x25	3900	150	75	52	37	8.3	32	6	11	50
L1781.20-4000	20	6.6	M6x25	4000	150	75	52	37	8.3	32	6	11	50
L1781.20-4050	20	6.6	M6x25	4050	150	75	52	37	8.3	32	6	11	50
L1781.20-4200	20	6.6	M6x25	4200	150	75	52	37	8.3	32	6	11	50
L1781.20-4350	20	6.6	M6x25	4350	150	75	52	37	8.3	32	6	11	50
L1781.20-4500	20	6.6	M6x25	4500	150	75	52	37	8.3	32	6	11	50



Linear Shaft Supports

20Ø Shaft Support Rails

complete stainless and aluminium support



Order No.	d ₁ tol. h6	d ₂	d ₃	l ₁	l ₂	l ₃	w ₁	w ₂	w ₃	h ₁ ±0.02	h ₂	h ₃	α °
L1781.20-4650	20	6.6	M6x25	4650	150	75	52	37	8.3	32	6	11	50
L1781.20-4800	20	6.6	M6x25	4800	150	75	52	37	8.3	32	6	11	50
L1781.20-4950	20	6.6	M6x25	4940	150	75	52	37	8.3	32	6	11	50
L1781.20-5100	20	6.6	M6x25	5100	150	75	52	37	8.3	32	6	11	50
L1781.20-5250	20	6.6	M6x25	5250	150	75	52	37	8.3	32	6	11	50
L1781.20-5400	20	6.6	M6x25	5400	150	75	52	37	8.3	32	6	11	50
L1781.20-5550	20	6.6	M6x25	5550	150	75	52	37	8.3	32	6	11	50
L1781.20-5700	20	6.6	M6x25	5700	150	75	52	37	8.3	32	6	11	50
L1781.20-5850	20	6.6	M6x25	5850	150	75	52	37	8.3	32	6	11	50
L1781.20-6000	20	6.6	M6x25	6000	150	75	52	37	8.3	32	6	11	50

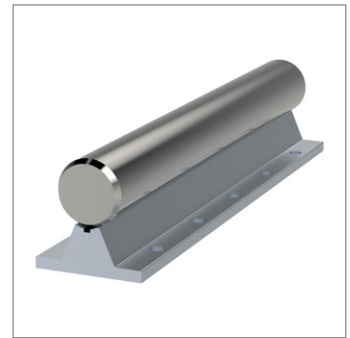
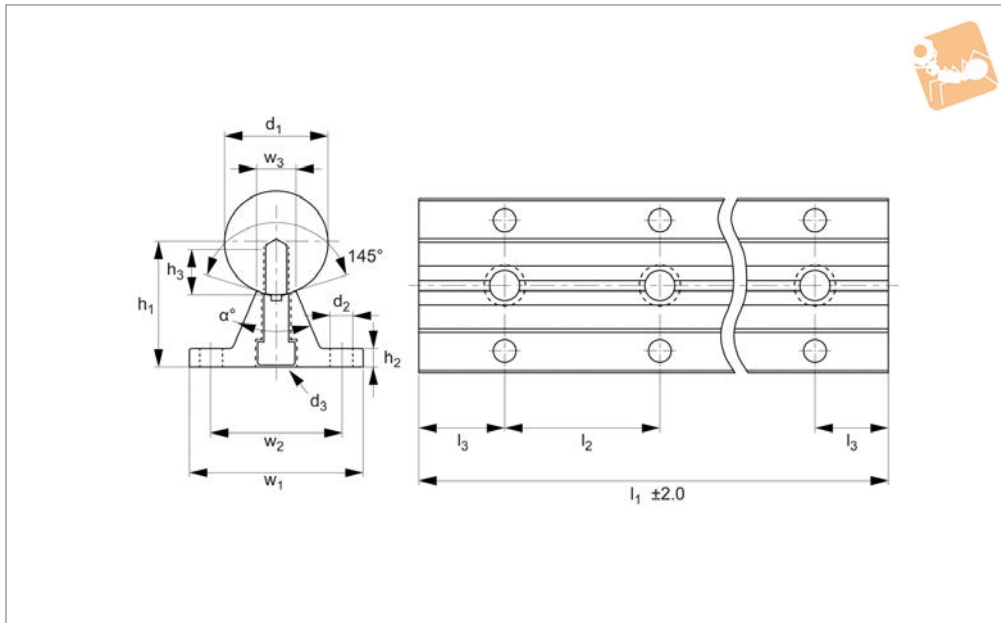
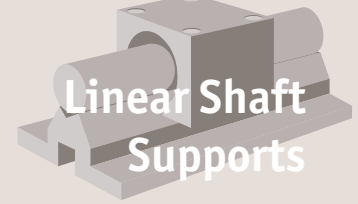
LINEAR SHAFT SUPPORTS





25Ø Shaft Support Rails

complete stainless and aluminium support



L1781.25

LINEAR SHAFT SUPPORTS

Material

Hardened and ground stainless steel shaft (440C), aluminium alloy support rail. Surface hardness of shaft 60-65 HRC.

Technical Notes

For open linear bushings, ensures a very rigid and stiff system.

The shaft is pre-mounted to the shaft support rail.

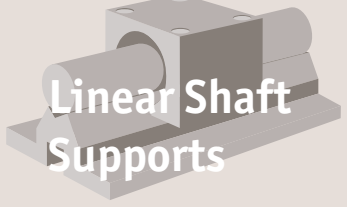
Standard lengths are shown which allow the distance to the first and last hole to be equal (ie $l_3/2$). Different holes pitches available on request.

Straightness: $\pm 0.1\text{mm/metre}$.

Tips

For linear carriages see part no. L1755 (flanged) or L1752 (unflanged). Stainless steel carriages also available, see part no. L1756 (flanged) or L1753 (unflanged).

Order No.	d_1 tol. h6	d_2	d_3	l_1	l_2	l_3	w_1	w_2	w_3	h_1 ± 0.02	h_2	h_3	α°
L1781.25-0400	25	6.6	M8x30	400	200	100	57	42	10.8	36	6	15	50
L1781.25-0600	25	6.6	M8x30	600	200	100	57	42	10.8	36	6	15	50
L1781.25-0800	25	6.6	M8x30	800	200	100	57	42	10.8	36	6	15	50
L1781.25-1000	25	6.6	M8x30	1000	200	100	57	42	10.8	36	6	15	50
L1781.25-1200	25	6.6	M8x30	1200	200	100	57	42	10.8	36	6	15	50
L1781.25-1400	25	6.6	M8x30	1400	200	100	57	42	10.8	36	6	15	50
L1781.25-1600	25	6.6	M8x30	1600	200	100	57	42	10.8	36	6	15	50
L1781.25-1800	25	6.6	M8x30	1800	200	100	57	42	10.8	36	6	15	50
L1781.25-2000	25	6.6	M8x30	2000	200	100	57	42	10.8	36	6	15	50
L1781.25-2200	25	6.6	M8x30	2200	200	100	57	42	10.8	36	6	15	50
L1781.25-2400	25	6.6	M8x30	2400	200	100	57	42	10.8	36	6	15	50
L1781.25-2600	25	6.6	M8x30	2600	200	100	57	42	10.8	36	6	15	50
L1781.25-2800	25	6.6	M8x30	2800	200	100	57	42	10.8	36	6	15	50
L1781.25-3000	25	6.6	M8x30	3000	200	100	57	42	10.8	36	6	15	50
L1781.25-3200	25	6.6	M8x30	3200	200	100	57	42	10.8	36	6	15	50
L1781.25-3400	25	6.6	M8x30	3400	200	100	57	42	10.8	36	6	15	50
L1781.25-3600	25	6.6	M8x30	3600	200	100	57	42	10.8	36	6	15	50
L1781.25-3800	25	6.6	M8x30	3800	200	100	57	42	10.8	36	6	15	50
L1781.25-4000	25	6.6	M8x30	4000	200	100	57	42	10.8	36	6	15	50
L1781.25-4200	25	6.6	M8x30	4200	200	100	57	42	10.8	36	6	15	50
L1781.25-4400	25	6.6	M8x30	4400	200	100	57	42	10.8	36	6	15	50
L1781.25-4600	25	6.6	M8x30	4600	200	100	57	42	10.8	36	6	15	50
L1781.25-4800	25	6.6	M8x30	4800	200	100	57	42	10.8	36	6	15	50
L1781.25-5000	25	6.6	M8x30	5000	200	100	57	42	10.8	36	6	15	50
L1781.25-5200	25	6.6	M8x30	5200	200	100	57	42	10.8	36	6	15	50
L1781.25-5400	25	6.6	M8x30	5400	200	100	57	42	10.8	36	6	15	50
L1781.25-5600	25	6.6	M8x30	5600	200	100	57	42	10.8	36	6	15	50
L1781.25-5800	25	6.6	M8x30	5800	200	100	57	42	10.8	36	6	15	50
L1781.25-6000	25	6.6	M8x30	6000	200	100	57	42	10.8	36	6	15	50



Linear Shaft Supports

25Ø Shaft Support Rails
complete stainless and aluminium support



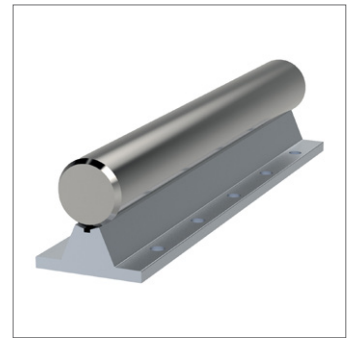
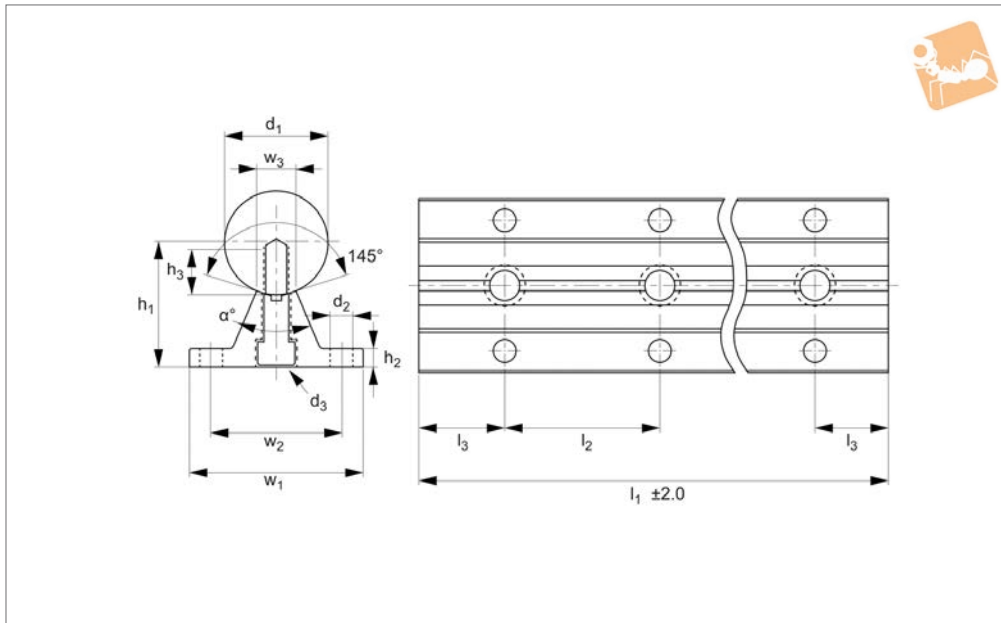
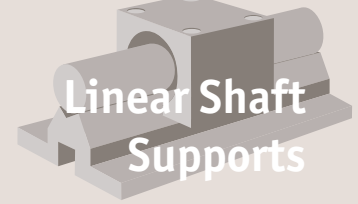
LINEAR SHAFT SUPPORTS





30Ø Shaft Support Rails

complete stainless and aluminium support



L1781.30

LINEAR SHAFT SUPPORTS

Material

Hardened and ground stainless steel shaft (440C), aluminium alloy support rail. Surface hardness of shaft 60-65 HRC.

Technical Notes

For open linear bushings, ensures a very rigid and stiff system.

The shaft is pre-mounted to the shaft support rail.

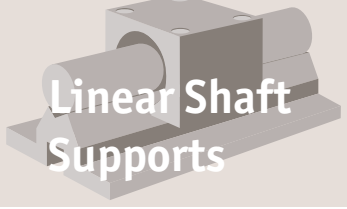
Standard lengths are shown which allow the distance to the first and last hole to be equal (ie $l_2/2$). Different holes pitches available on request.

Straightness: $\pm 0.1\text{mm/metre}$.

Tips

For linear carriages see part no. L1755 (flanged) or L1752 (unflanged). Stainless steel carriages also available, see part no. L1756 (flanged) or L1753 (unflanged).

Order No.	d_1 tol. h6	d_2	d_3	l_1	l_2	l_3	w_1	w_2	w_3	h_1 ± 0.02	h_2	h_3	α°
L1781.30-0400	30	9	M10x35	400	200	100	69	51	11	42	7	17	50
L1781.30-0600	30	9	M10x35	600	200	100	69	51	11	42	7	17	50
L1781.30-0800	30	9	M10x35	800	200	100	69	51	11	42	7	17	50
L1781.30-1000	30	9	M10x35	1000	200	100	69	51	11	42	7	17	50
L1781.30-1200	30	9	M10x35	1200	200	100	69	51	11	42	7	17	50
L1781.30-1400	30	9	M10x35	1400	200	100	69	51	11	42	7	17	50
L1781.30-1600	30	9	M10x35	1600	200	100	69	51	11	42	7	17	50
L1781.30-1800	30	9	M10x35	1800	200	100	69	51	11	42	7	17	50
L1781.30-2000	30	9	M10x35	2000	200	100	69	51	11	42	7	17	50
L1781.30-2200	30	9	M10x35	2200	200	100	69	51	11	42	7	17	50
L1781.30-2400	30	9	M10x35	2400	200	100	69	51	11	42	7	17	50
L1781.30-2600	30	9	M10x35	2600	200	100	69	51	11	42	7	17	50
L1781.30-2800	30	9	M10x35	2800	200	100	69	51	11	42	7	17	50
L1781.30-3000	30	9	M10x35	3000	200	100	69	51	11	42	7	17	50
L1781.30-3200	30	9	M10x35	3200	200	100	69	51	11	42	7	17	50
L1781.30-3400	30	9	M10x35	3400	200	100	69	51	11	42	7	17	50
L1781.30-3600	30	9	M10x35	3600	200	100	69	51	11	42	7	17	50
L1781.30-3800	30	9	M10x35	3800	200	100	69	51	11	42	7	17	50
L1781.30-4000	30	9	M10x35	4000	200	100	69	51	11	42	7	17	50
L1781.30-4200	30	9	M10x35	4200	200	100	69	51	11	42	7	17	50
L1781.30-4400	30	9	M10x35	4400	200	100	69	51	11	42	7	17	50
L1781.30-4600	30	9	M10x35	4600	200	100	69	51	11	42	7	17	50
L1781.30-4800	30	9	M10x35	4800	200	100	69	51	11	42	7	17	50
L1781.30-5000	30	9	M10x35	5000	200	100	69	51	11	42	7	17	50
L1781.30-5200	30	9	M10x35	5200	200	100	69	51	11	42	7	17	50
L1781.30-5400	30	9	M10x35	5400	200	100	69	51	11	42	7	17	50
L1781.30-5600	30	9	M10x35	5600	200	100	69	51	11	42	7	17	50
L1781.30-5800	30	9	M10x35	5800	200	100	69	51	11	42	7	17	50
L1781.30-6000	30	9	M10x35	6000	200	100	69	51	11	42	7	17	50



Linear Shaft Supports

30Ø Shaft Support Rails
complete stainless and aluminium support



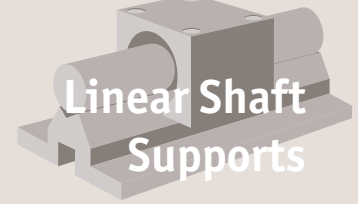
LINEAR SHAFT SUPPORTS



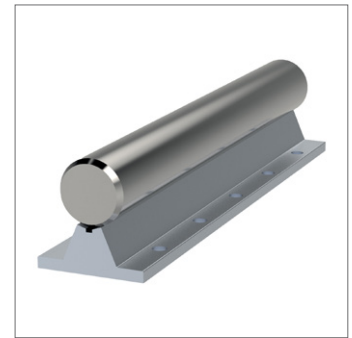
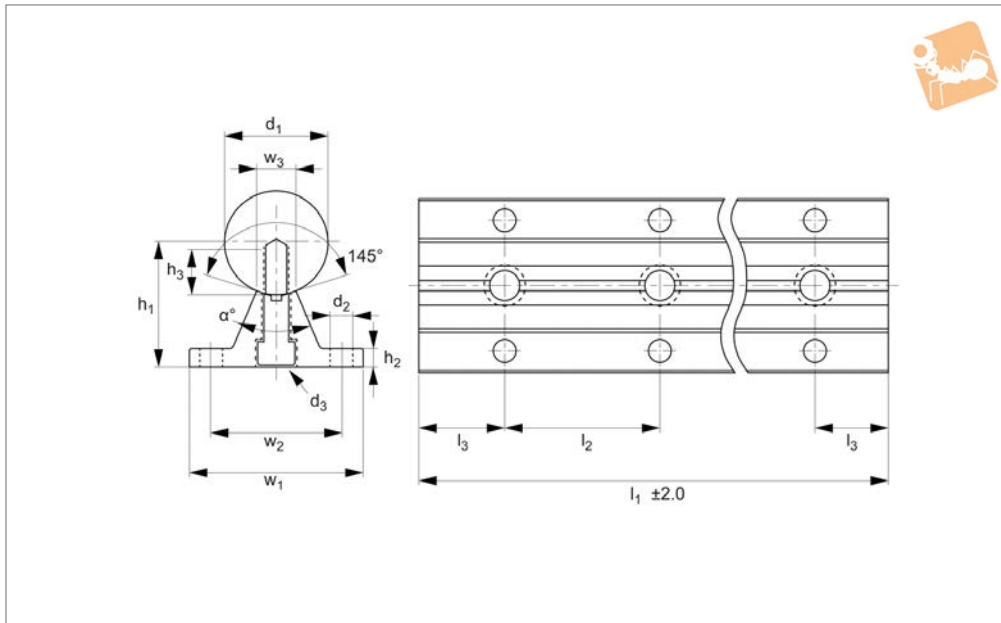


40Ø Shaft Support Rails

complete stainless and aluminium support



Linear Shaft Supports



L1781.40

LINEAR SHAFT SUPPORTS

Material

Hardened and ground stainless steel shaft (440C), aluminium alloy support rail.
Surface hardness of shaft 60-65 HRC.

Technical Notes

For open linear bushings, ensures a very rigid and stiff system.

The shaft is pre-mounted to the shaft support rail.

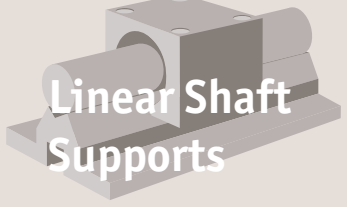
Standard lengths are shown which allow the distance to the first and last hole to be equal (ie $l_2/2$). Different holes pitches available on request.

Straightness: $\pm 0.1\text{mm/metre}$.

Tips

For linear carriages see part no. L1755 (flanged) or L1752 (unflanged).
Stainless steel carriages also available, see part no. L1756 (flanged) or L1753 (unflanged).

Order No.	d_1 tol. h6	d_2	d_3	l_1	l_2	l_3	w_1	w_2	w_3	h_1 ± 0.02	h_2	h_3	α
L1781.40-0600	40	9	M10x40	600	300	150	73	55	15	50	8	19	50
L1781.40-0900	40	9	M10x40	900	300	150	73	55	15	50	8	19	50
L1781.40-1200	40	9	M10x40	1200	300	150	73	55	15	50	8	19	50
L1781.40-1500	40	9	M10x40	1500	300	150	73	55	15	50	8	19	50
L1781.40-1800	40	9	M10x40	1800	300	150	73	55	15	50	8	19	50
L1781.40-2100	40	9	M10x40	2100	300	150	73	55	15	50	8	19	50
L1781.40-2400	40	9	M10x40	2400	300	150	73	55	15	50	8	19	50
L1781.40-2700	40	9	M10x40	2700	300	150	73	55	15	50	8	19	50
L1781.40-3000	40	9	M10x40	3000	300	150	73	55	15	50	8	19	50
L1781.40-3300	40	9	M10x40	3300	300	150	73	55	15	50	8	19	50
L1781.40-3600	40	9	M10x40	3600	300	150	73	55	15	50	8	19	50
L1781.40-3900	40	9	M10x40	3900	300	150	73	55	15	50	8	19	50
L1781.40-4200	40	9	M10x40	4200	300	150	73	55	15	50	8	19	50
L1781.40-4500	40	9	M10x40	4500	300	150	73	55	15	50	8	19	50
L1781.40-4800	40	9	M10x40	4800	300	150	73	55	15	50	8	19	50
L1781.40-5100	40	9	M10x40	5100	300	150	73	55	15	50	8	19	50
L1781.40-5400	40	9	M10x40	5400	300	150	73	55	15	50	8	19	50
L1781.40-5700	40	9	M10x40	5700	300	150	73	55	15	50	8	19	50
L1781.40-6000	40	9	M10x40	6000	300	150	73	55	15	50	8	19	50

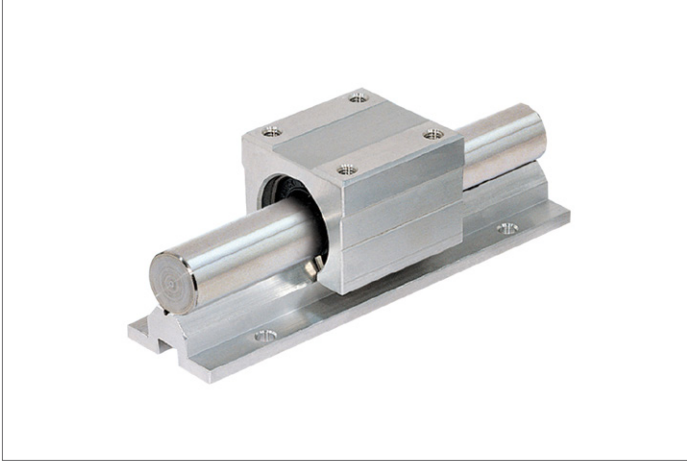


Linear Shaft Supports

40Ø Shaft Support Rails
complete stainless and aluminium support



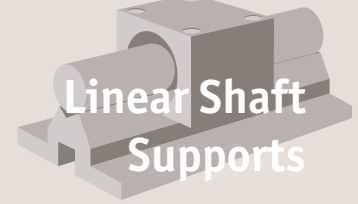
LINEAR SHAFT SUPPORTS



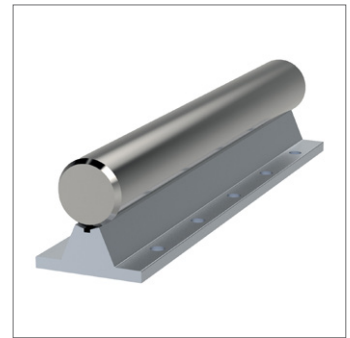
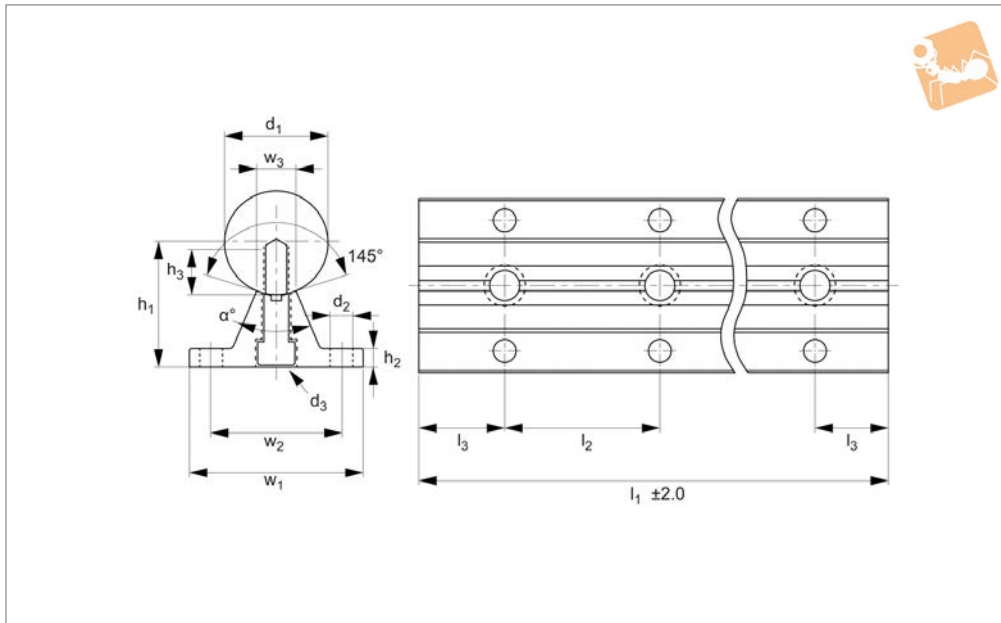


50Ø Shaft Support Rails

complete stainless and aluminium support



Linear Shaft Supports



L1781.50

LINEAR SHAFT SUPPORTS

Material

Hardened and ground stainless steel shaft (440C), aluminium alloy support rail.
Surface hardness of shaft 60-65 HRC.

Technical Notes

For open linear bushings, ensures a very rigid and stiff system.

The shaft is pre-mounted to the shaft support rail.

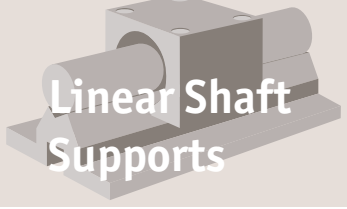
Standard lengths are shown which allow the distance to the first and last hole to be equal (ie $l_3/2$). Different holes pitches available on request.

Straightness: $\pm 0.1\text{mm/metre}$.

Tips

For linear carriages see part no. L1755 (flanged) or L1752 (unflanged).
Stainless steel carriages also available, see part no. L1756 (flanged) or L1753 (unflanged).

Order No.	d_1 tol. h6	d_2	d_3	l_1	l_2	l_3	w_1	w_2	w_3	h_1 ± 0.02	h_2	h_3	α°
L1781.50-0600	50	11	M12x45	600	300	150	84	63	19	60	9	21	46
L1781.50-0900	50	11	M12x45	900	300	150	84	63	19	60	9	21	46
L1781.50-1200	50	11	M12x45	1200	300	150	84	63	19	60	9	21	46
L1781.50-1500	50	11	M12x45	1500	300	150	84	63	19	60	9	21	46
L1781.50-1800	50	11	M12x45	1800	300	150	84	63	19	60	9	21	46
L1781.50-2100	50	11	M12x45	2100	300	150	84	63	19	60	9	21	46
L1781.50-2400	50	11	M12x45	2400	300	150	84	63	19	60	9	21	46
L1781.50-2700	50	11	M12x45	2700	300	150	84	63	19	60	9	21	46
L1781.50-3000	50	11	M12x45	3000	300	150	84	63	19	60	9	21	46
L1781.50-3300	50	11	M12x45	3300	300	150	84	63	19	60	9	21	46
L1781.50-3600	50	11	M12x45	3600	300	150	84	63	19	60	9	21	46
L1781.50-3900	50	11	M12x45	3900	300	150	84	63	19	60	9	21	46
L1781.50-4200	50	11	M12x45	4200	300	150	84	63	19	60	9	21	46
L1781.50-4500	50	11	M12x45	4500	300	150	84	63	19	60	9	21	46
L1781.50-4800	50	11	M12x45	4800	300	150	84	63	19	60	9	21	46
L1781.50-5100	50	11	M12x45	5100	300	150	84	63	19	60	9	21	46
L1781.50-5400	50	11	M12x45	5400	300	150	84	63	19	60	9	21	46
L1781.50-5700	50	11	M12x45	5700	300	150	84	63	19	60	9	21	46
L1781.50-6000	50	11	M12x45	6000	300	150	84	63	19	60	9	21	46

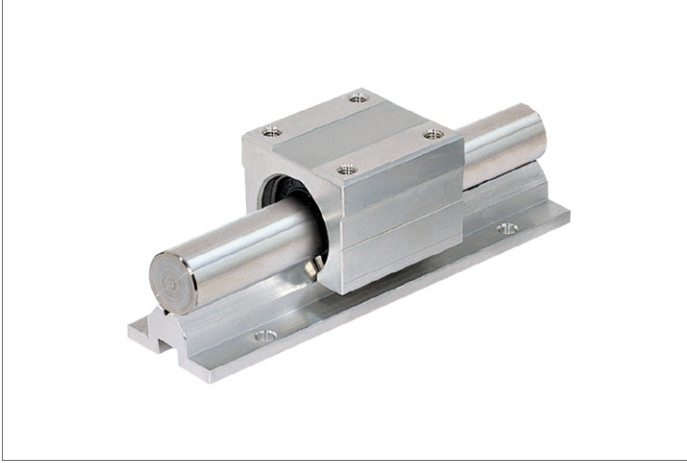


Linear Shaft Supports

50Ø Shaft Support Rails
complete stainless and aluminium support



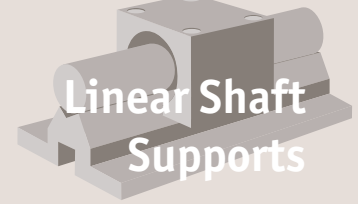
LINEAR SHAFT SUPPORTS



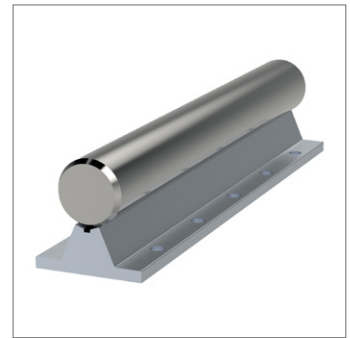
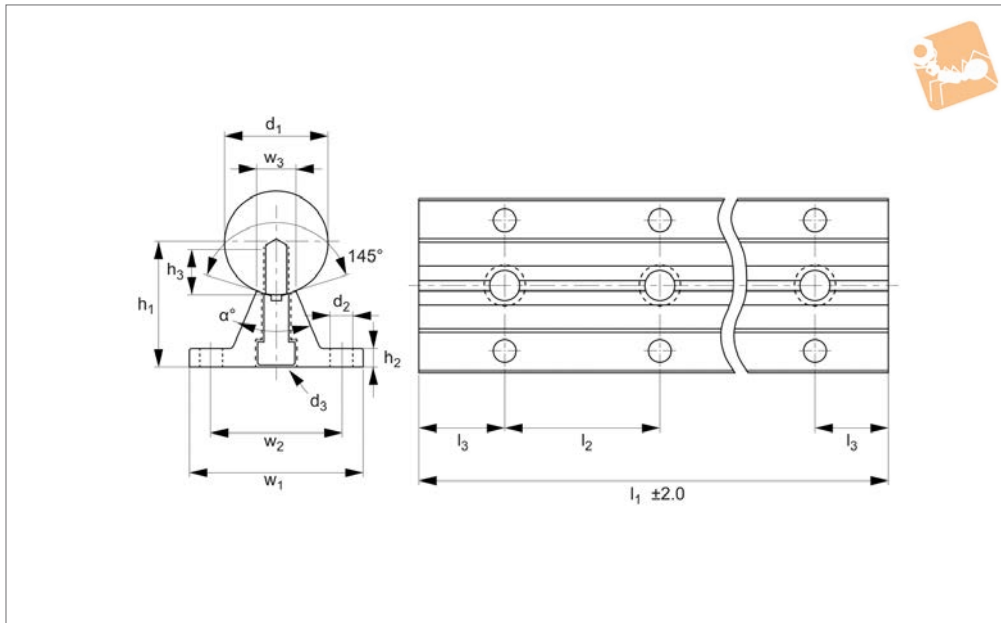


60Ø Shaft Support Rails

complete stainless and aluminium support



Linear Shaft Supports



L1781.60

LINEAR SHAFT SUPPORTS

Material

Hardened and ground stainless steel shaft (440C), aluminium alloy support rail.
Surface hardness of shaft 60-65 HRC.

Technical Notes

For open linear bushings, ensures a very rigid and stiff system.

The shaft is pre-mounted to the shaft support rail.

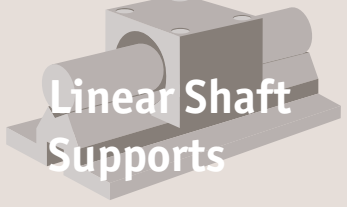
Standard lengths are shown which allow the distance to the first and last hole to be equal (ie $l_2/2$). Different holes pitches available on request.

Straightness: $\pm 0.1\text{mm/metre}$.

Tips

For linear carriages see part no. L1755 (flanged) or L1752 (unflanged).
Stainless steel carriages also available, see part no. L1756 (flanged) or L1753 (unflanged).

Order No.	d_1 tol. h6	d_2	d_3	l_1	l_2	l_3	w_1	w_2	w_3	h_1 ± 0.02	h_2	h_3	α °
L1781.60-0600	60	11	M14x50	600	300	150	94	72	25	68	10	25	46
L1781.60-0900	60	11	M14x50	900	300	150	94	72	25	68	10	25	46
L1781.60-1200	60	11	M14x50	1200	300	150	94	72	25	68	10	25	46
L1781.60-1500	60	11	M14x50	1500	300	150	94	72	25	68	10	25	46
L1781.60-1800	60	11	M14x50	1800	300	150	94	72	25	68	10	25	46
L1781.60-2100	60	11	M14x50	2100	300	150	94	72	25	68	10	25	46
L1781.60-2400	60	11	M14x50	2400	300	150	94	72	25	68	10	25	46
L1781.60-2700	60	11	M14x50	2700	300	150	94	72	25	68	10	25	46
L1781.60-3000	60	11	M14x50	3000	300	150	94	72	25	68	10	25	46
L1781.60-3300	60	11	M14x50	3300	300	150	94	72	25	68	10	25	46
L1781.60-3600	60	11	M14x50	3600	300	150	94	72	25	68	10	25	46
L1781.60-3900	60	11	M14x50	3900	300	150	94	72	25	68	10	25	46
L1781.60-4200	60	11	M14x50	4200	300	150	94	72	25	68	10	25	46
L1781.60-4500	60	11	M14x50	4500	300	150	94	72	25	68	10	25	46
L1781.60-4800	60	11	M14x50	4800	300	150	94	72	25	68	10	25	46
L1781.60-5100	60	11	M14x50	5100	300	150	94	72	25	68	10	25	46
L1781.60-5400	60	11	M14x50	5400	300	150	94	72	25	68	10	25	46
L1781.60-5700	60	11	M14x50	5700	300	150	94	72	25	68	10	25	46
L1781.60-6000	60	11	M14x50	6000	300	150	94	72	25	68	10	25	46

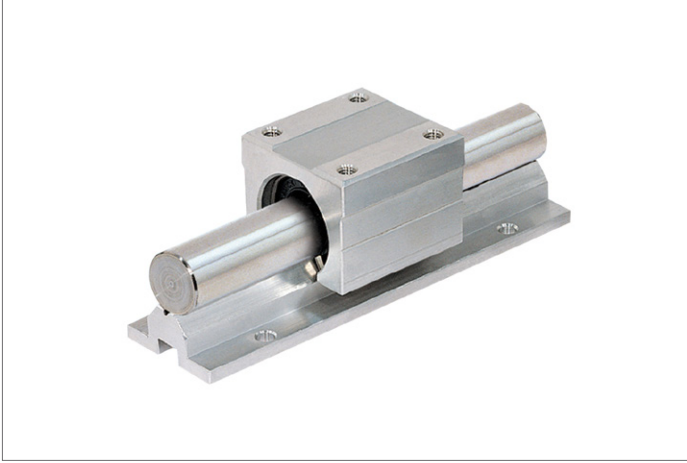


Linear Shaft Supports

60Ø Shaft Support Rails
complete stainless and aluminium support



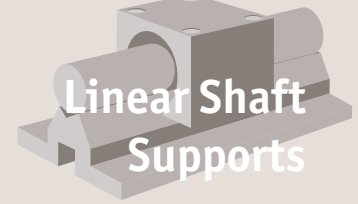
LINEAR SHAFT SUPPORTS



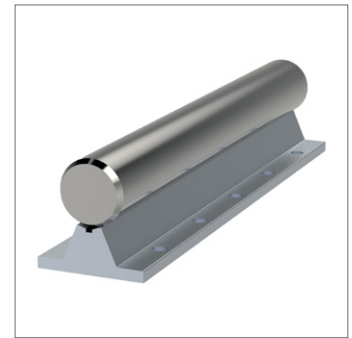
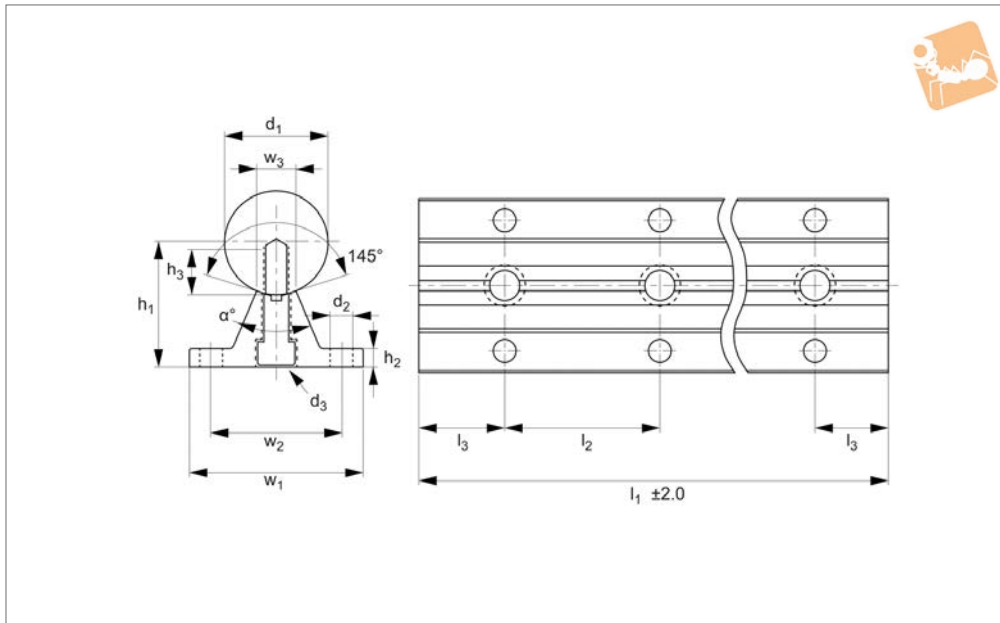


80Ø Shaft Support Rails

complete stainless and aluminium support



Linear Shaft
Supports



L1781.80

LINEAR SHAFT SUPPORTS

Material

Hardened and ground stainless steel shaft (440C), aluminium alloy support rail.
Surface hardness of shaft 60-65 HRC.

Technical Notes

For open linear bushings, ensures a very rigid and stiff system.

The shaft is pre-mounted to the shaft support rail.

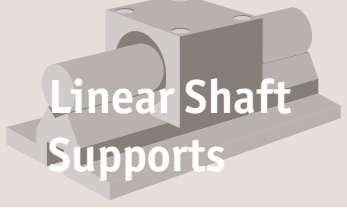
Standard lengths are shown which allow the distance to the first and last hole to be equal (ie $l_3/2$). Different holes pitches available on request.

Straightness: $\pm 0.1\text{mm/metre}$.

Tips

For linear carriages see part no. L1755 (flanged) or L1752 (unflanged).
Stainless steel carriages also available, see part no. L1756 (flanged) or L1753 (unflanged).

Order No.	d_1 tol. h6	d_2	d_3	l_1	l_2	l_3	w_1	w_2	w_3	h_1 ± 0.02	h_2	h_3	α°
L1781.80-0600	80	13.5	M16x60	600	300	150	116	92	34	86	12	28	46
L1781.80-0900	80	13.5	M16x60	900	300	150	116	92	34	86	12	28	46
L1781.80-1200	80	13.5	M16x60	1200	300	150	116	92	34	86	12	28	46
L1781.80-1500	80	13.5	M16x60	1500	300	150	116	92	34	86	12	28	46
L1781.80-1800	80	13.5	M16x60	1800	300	150	116	92	34	86	12	28	46
L1781.80-2100	80	13.5	M16x60	2100	300	150	116	92	34	86	12	28	46
L1781.80-2400	80	13.5	M16x60	2400	300	150	116	92	34	86	12	28	46
L1781.80-2700	80	13.5	M16x60	2700	300	150	116	92	34	86	12	28	46
L1781.80-3000	80	13.5	M16x60	3000	300	150	116	92	34	86	12	28	46
L1781.80-3300	80	13.5	M16x60	3300	300	150	116	92	34	86	12	28	46
L1781.80-3600	80	13.5	M16x60	3600	300	150	116	92	34	86	12	28	46
L1781.80-3900	80	13.5	M16x60	3900	300	150	116	92	34	86	12	28	46
L1781.80-4200	80	13.5	M16x60	4200	300	150	116	92	34	86	12	28	46
L1781.80-4500	80	13.5	M16x60	4500	300	150	116	92	34	86	12	28	46
L1781.80-4800	80	13.5	M16x60	4800	300	150	116	92	34	86	12	28	46
L1781.80-5100	80	13.5	M16x60	5100	300	150	116	92	34	86	12	28	46
L1781.80-5400	80	13.5	M16x60	5400	300	150	116	92	34	86	12	28	46
L1781.80-5700	80	13.5	M16x60	5700	300	150	116	92	34	86	12	28	46
L1781.80-6000	80	13.5	M16x60	6000	300	150	116	92	34	86	12	28	46



Linear Shaft Supports

80Ø Shaft Support Rails
complete stainless and aluminium support

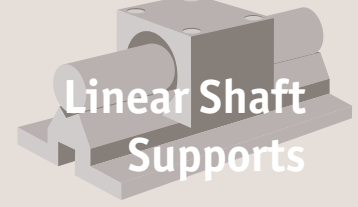


LINEAR SHAFT SUPPORTS

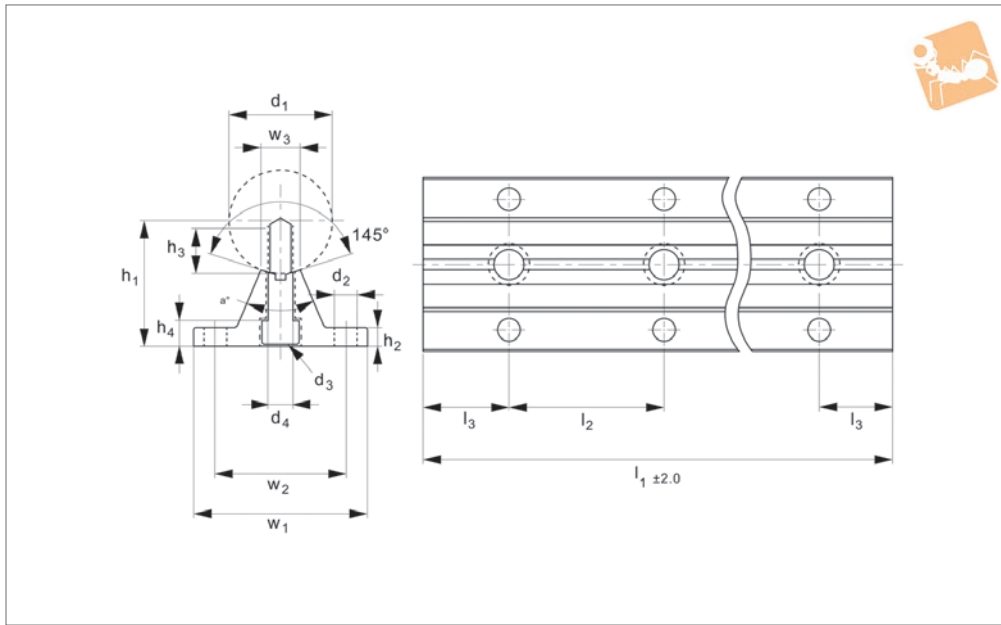


Shaft Support Rail

support rail



Linear Shaft
Supports



L1783

LINEAR SHAFT SUPPORTS

Material

Aluminium alloy support rail.

rigid and stiff system.

Standard lengths are shown which allow the distance to the first and last hole to be equal holes. For use with shafts L1770 to L1774.

For linear carriages see part no. L1755 (flanged) or L1752 (unflanged). Stainless steel carriages also available, see part no. L1756 (flanged) or L1753 (unflanged).

Technical Notes

For open linear bushings, ensures a very

Order No.	a	d_1	d_2	d_3	l_1	l_2	l_3	w_1	w_2	w_3	h_1 ± 0.15	h_2	h_3	Weight
L1783.12-600-T1	50	12	4.5	8.0	600	75	37.5	40	29	5.8	22	5	5.0	0.45
L1783.16-600-T1	50	16	5.5	9.5	600	100	50	45	33	7.0	26	5	6.0	0.55
L1783.20-600-T1	50	20	6.6	11.0	600	100	50	52	37	8.3	32	6	6.5	0.80
L1783.25-600-T1	50	25	6.6	14.0	600	120	60	57	42	10.8	36	6	8.5	0.91
L1783.30-600-T1	50	30	9.0	17.0	600	150	75	69	51	11.0	42	7	10.5	1.15
L1783.40-600-T1	50	40	9.0	17.0	600	200	100	73	55	15.0	50	8	10.5	1.58
L1783.50-600-T1	46	50	11.0	19.0	600	200	100	84	63	19.0	60	9	12.5	2.13
L1783.12-600-T2	50	12	4.5	8.0	600	120	60	40	29	5.8	22	5	5.0	0.45
L1783.16-600-T2	50	16	5.5	9.5	600	150	75	45	33	7.0	26	5	6.0	0.55
L1783.20-600-T2	50	20	6.6	11.0	600	150	75	52	37	8.3	32	6	6.5	0.80
L1783.25-600-T2	50	25	6.6	14.0	600	200	100	57	42	10.8	36	6	8.5	0.91
L1783.30-600-T2	50	30	9.0	17.0	600	200	100	69	51	11.0	42	7	10.5	1.15
L1783.40-600-T2	50	40	9.0	17.0	600	300	150	73	55	15.0	50	8	10.5	1.58
L1783.50-600-T2	46	50	11.0	19.0	600	300	150	84	63	19.0	60	9	12.5	2.13