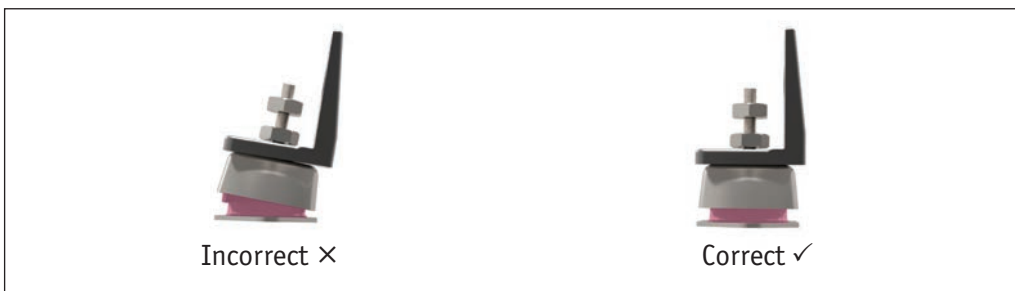
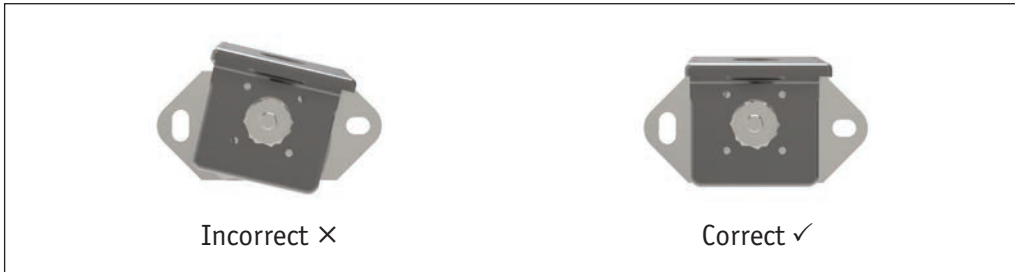




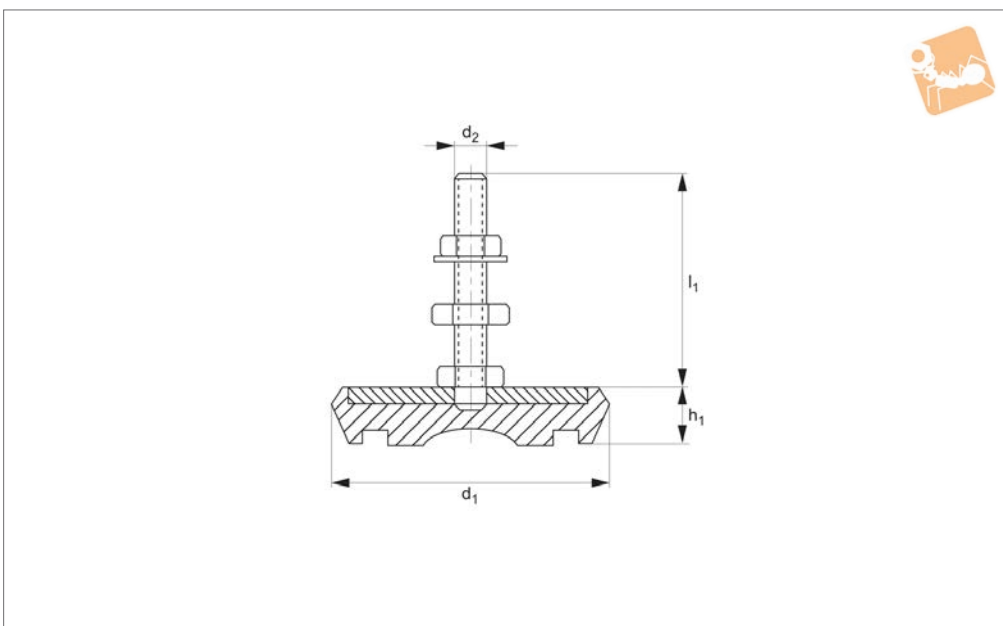
Recommendations for Machine Mounts

The machine mounts should be installed between two parallel and perfectly flat surfaces. Mounts operating tilted or twisted do not work properly. This may be due to incorrect alignment, tolerances in the building of the structure or over-tightened torque during the installation of the anti-vibration mounts.





P2160



Material

Stainless steel body and thread (A2, AISI 304), with rubber base (65 Shore A).

Technical Notes

Suitable for medium and high frequency vibrations and with smooth floors.

Order No.	d ₁	h ₁	d ₂	l ₁	Load range kgf
P2160.040	40	15	M 8	40	0-60
P2160.063	63	18	M10	83	30-100
P2160.070	70	22	M12	90	80-150
P2160.090	90	25	M12	90	100-350
P2160.106	106	29	M16	110	300-600
P2160.127	127	33	M16	110	500-900
P2160.150	150	39	M16	110	800-1500
P2160.170	170	42	M16	110	1300-2000

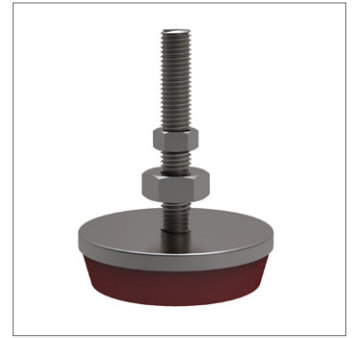
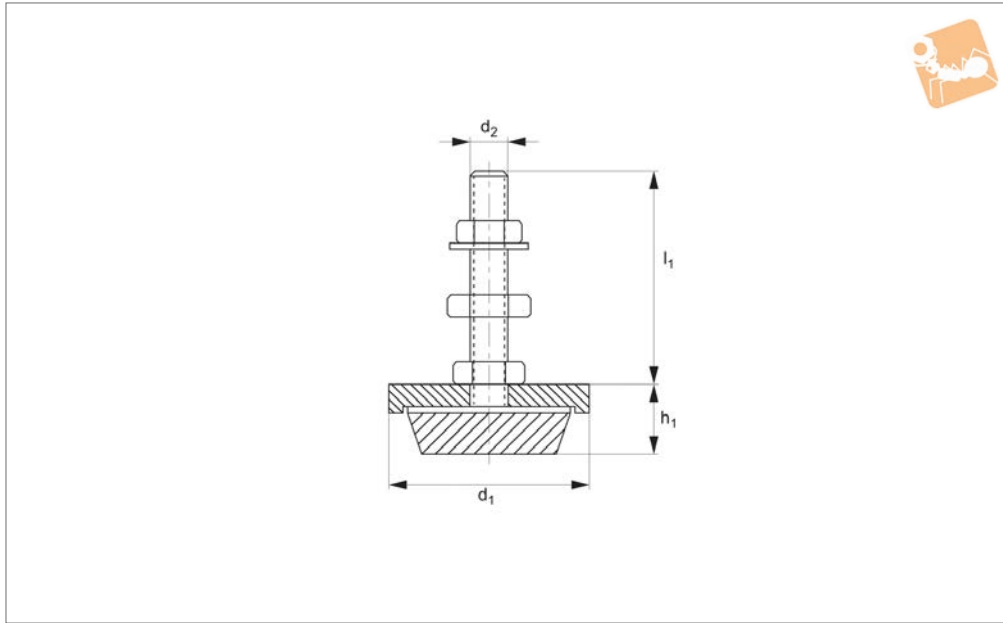


Stainless Machine Mounts

polyurethane base



Levelling Feet



P2161

LEVELLING FEET

Material

Stainless steel body and thread (A2, AISI 304), with hard polyurethane base (80 Shore A).

applications. The hard polyurethane base is resistant to aggressive oils and chemicals.

Technical Notes

Ideally suited for food and pharmaceutical

Tips

The polyurethane base 80 Shore A also ensures very heavy load carrying capacity.

Order No.	d ₁	h ₁	d ₂	l ₁	Load range kgf
P2161.065	65	22	M12	90	200-800
P2161.100	100	30	M16	110	500-2000
P2161.120	120	33	M16	110	2000-4000
P2161.180	180	40	M16	110	4000-6000



Description

Automation anti-vibration mounts work the rubber in shear and compression. Their tall height section produce large deflections, low natural frequencies, and excellent vibration isolation results. This range of mounts is suitable for applications where high vibration isolation in the 85-95% range is a priority.

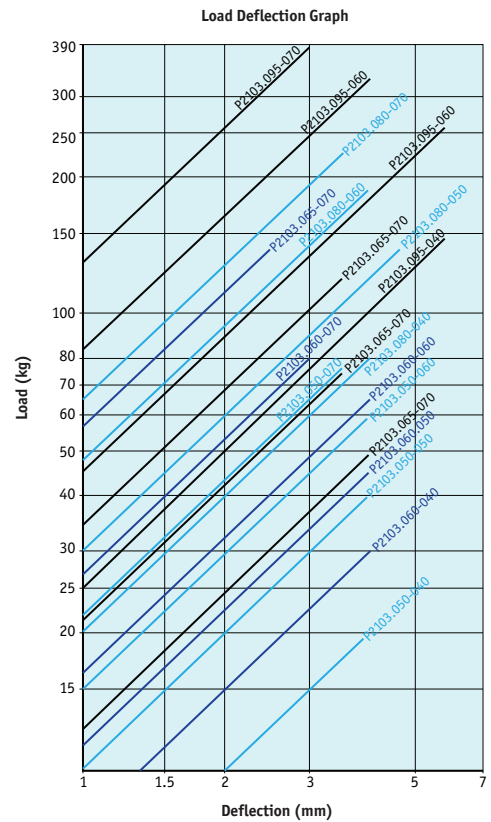
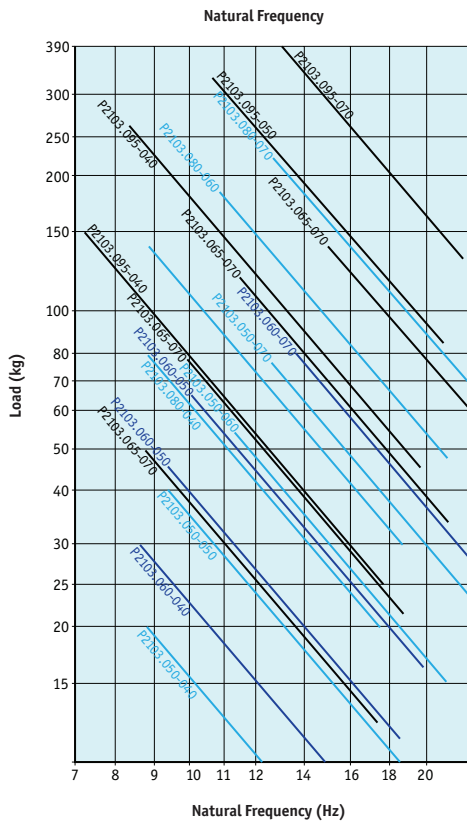
Technical characteristics

- The top metal hood protects the rubber from the Ozone, UV rays, Diesel or oils which damage the rubber.
- The metal parts have a suitable anticorrosive treatment for outdoor applications. RoHs compliant.
- They have an interlocking metal component that provides a fail-safe protection for mobile applications. This device limits the ascending vertical movement when the mounting is submitted to shocks at traction.
- The mounts are clearly identified, as the baseplates are engraved with the type and hardness, which makes it possible to easily recognise the part even after several years of use.
- The hood has a cross stamped on the top, which enhances its rigidity on mobile applications and also improves the evacuation of oils or liquids that precipitate onto it.

Applications

This mount is suitable for the isolation of mobile rotating machines which are exposed to axial and radial shocks, dripping oil, diesel or exposure to the weather. It is particularly interesting for applications where a high level of vibration isolation is required.

P2103.050 - P2103.096





Technical Information

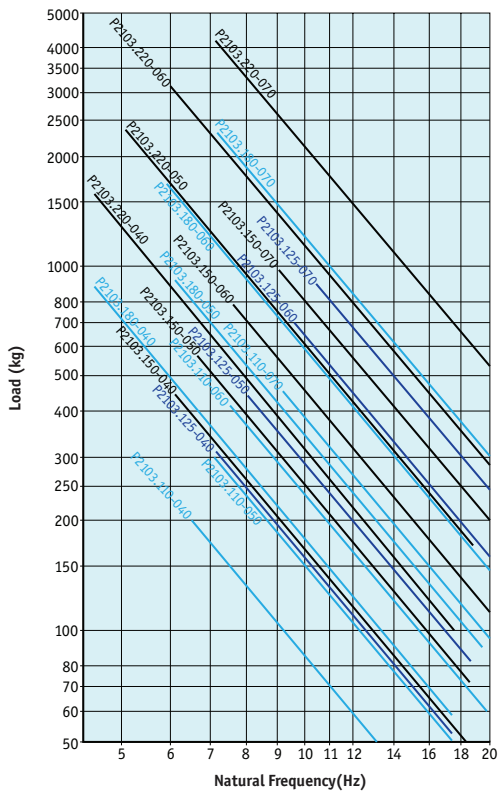
Frequency and Deflection Graph



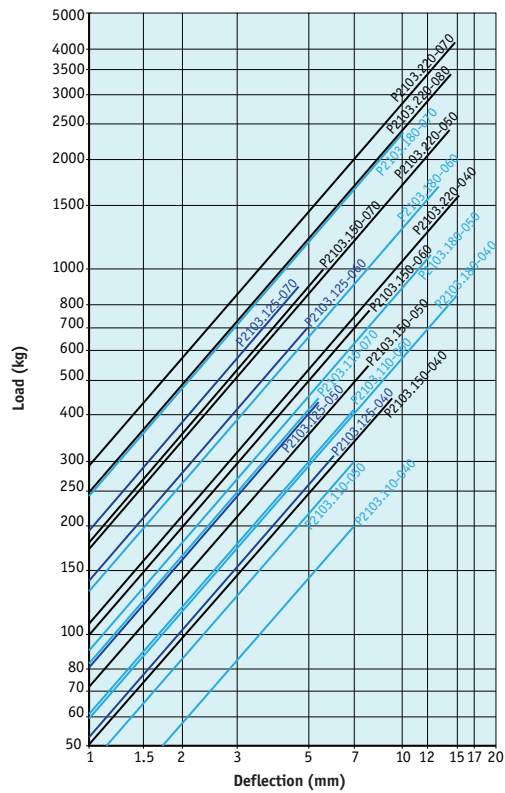
Mounts

P2103.110 - P2103.220

Natural Frequency



Load Deflection Graph



Mounts from Automotion Components

LEVELLING FEET