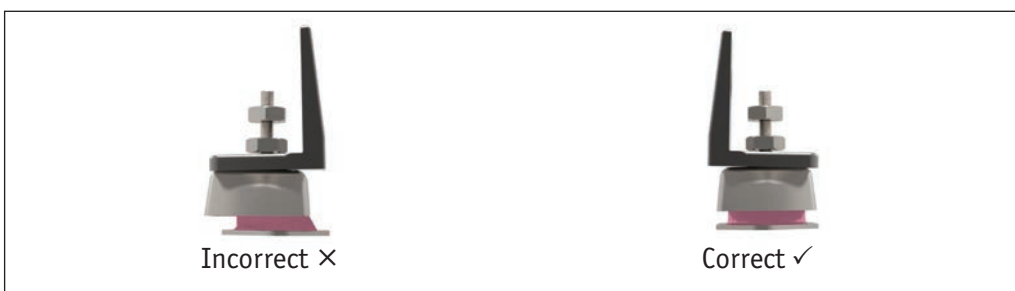
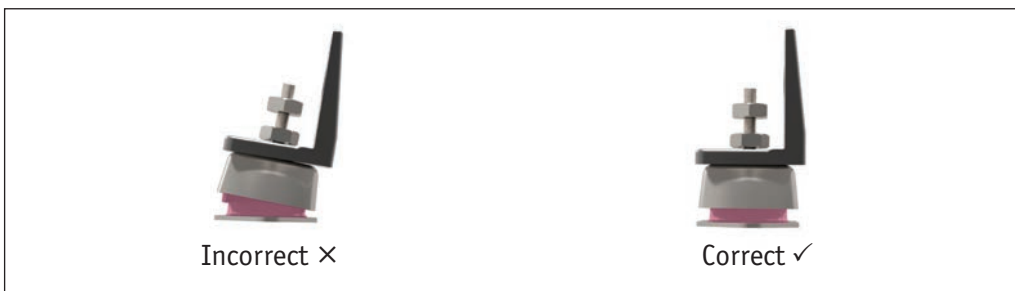
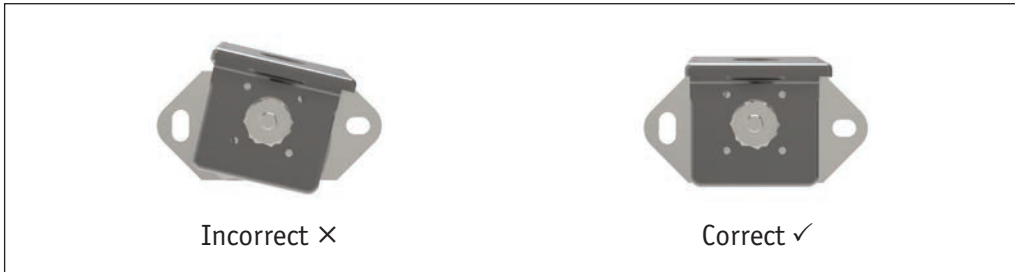




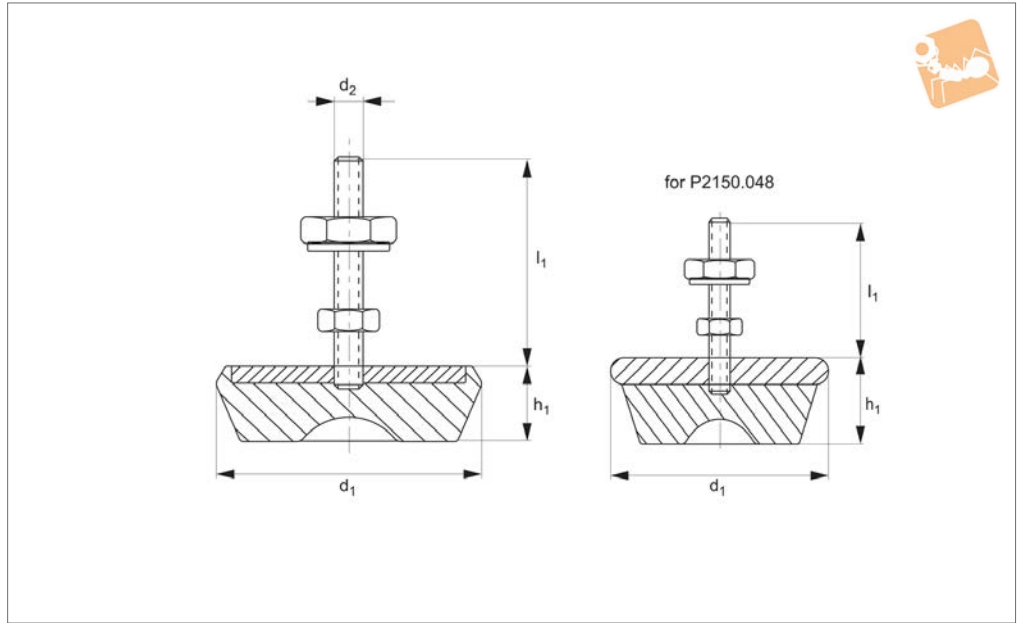
Recommendations for Machine Mounts

The machine mounts should be installed between two parallel and perfectly flat surfaces. Mounts operating tilted or twisted do not work properly. This may be due to incorrect alignment, tolerances in the building of the structure or over-tightened torque during the installation of the anti-vibration mounts.





P2150



Material

Steel body with silver zinc plated thread.
Synthetic rubber pad (65-70 Shore A) with

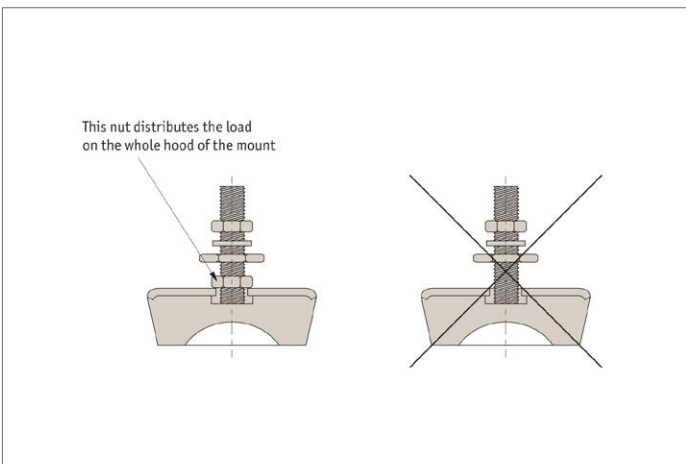
anti-slide cavity.

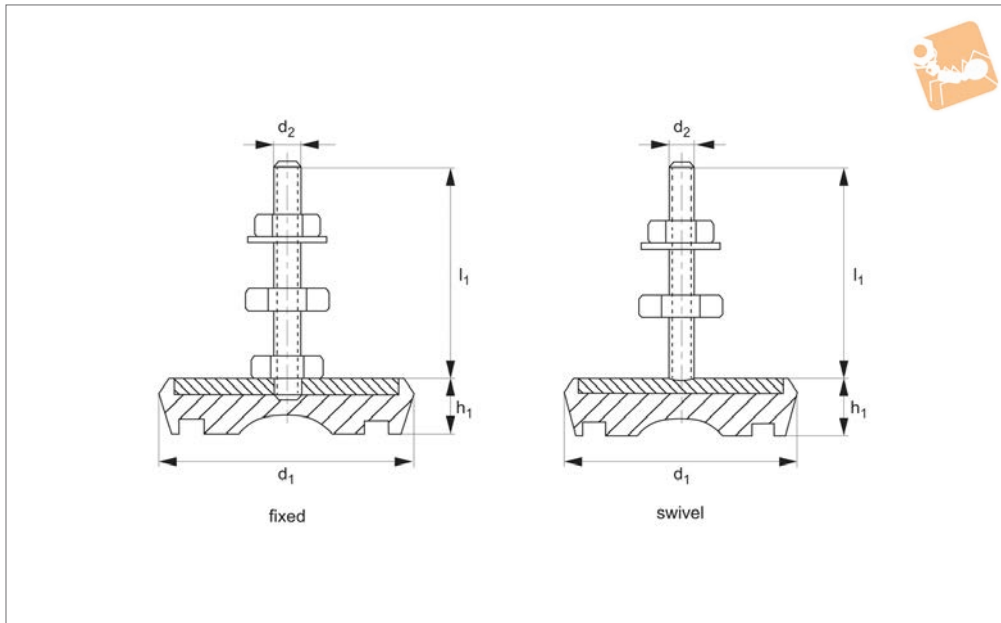
Technical Notes

Suitable for machinery with low frequency

vibrations and for irregular floors.

Order No.	d ₁	h ₁	d ₂	l ₁	Load range kgf
P2150.048	48	23	M 8	40	0-80
P2150.060	60	25	M10	83	50-120
P2150.075	75	30	M12	90	80-150
P2150.090	90	33	M12	90	120-300
P2150.105	105	38	M16	110	250-500
P2150.125	125	45	M16	110	400-800
P2150.150	150	55	M16	110	600-1000
P2150.170	170	57	M16	110	1000-1600
P2150.187	187	70	M20	115	1400-2400
P2150.210	210	75	M20	115	2000-3500





P2151

LEVELLING FEET

Material

Steel body with zinc plated thread.
Synthetic rubber base (65 Shore A), with anti-slide cavity.

Technical Notes

Suitable for medium and high frequency

vibrations and with smooth floors.

Tips

For inclined floors use the swivel base versions (M12 and M16).

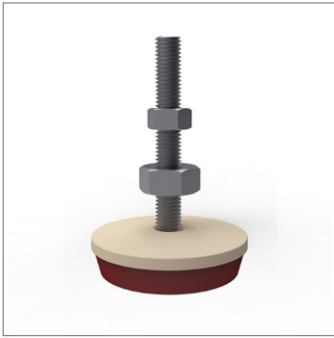
The swivel base versions have a separate screw which rests in the concave cup on the

top portion of the foot body.

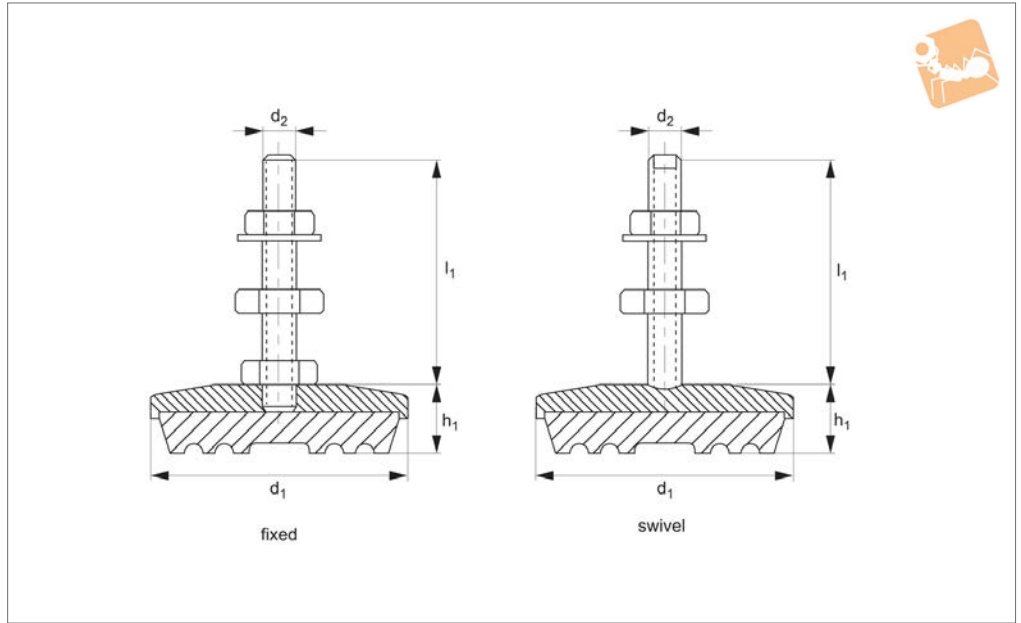
Order No.	Style	d ₁	h ₁	d ₂	l ₁	Load range kgf
P2151.040-F	Fixed	40	15	M 8	40	0-60
P2151.063-F	Fixed	63	18	M10	83	30-100
P2151.070-F	Fixed	70	22	M12	90	80-150
P2151.090-F	Fixed	90	25	M12	90	100-350
P2151.106-F	Fixed	106	29	M16	110	300-600
P2151.127-F	Fixed	127	33	M16	110	500-900
P2151.150-F	Fixed	150	39	M16	110	800-1500
P2151.170-F	Fixed	170	42	M16	110	1300-2000
P2151.070-S	Swivel	70	22	M12	90	80-150
P2151.090-S	Swivel	90	26	M12	90	100-350
P2151.106-S	Swivel	106	32	M16	110	300-600
P2151.127-S	Swivel	127	33	M16	110	500-900
P2151.150-S	Swivel	150	39	M16	110	800-1500
P2151.170-S	Swivel	170	42	M16	110	1300-2000



LEVELLING FEET



P2152



Material

Steel (GGG-40) coated body with zinc plated thread. Polyurethane base (65-90 Shore A).

deflection and maximum adherence due to shape of base.

Resistant to water, oil, high and low temperatures, abrasions and shocks.

tions where there is high risk of deterioration due to oil and other substances.

Also available in stainless steel - see product number P2161.

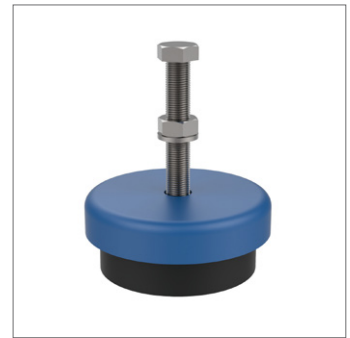
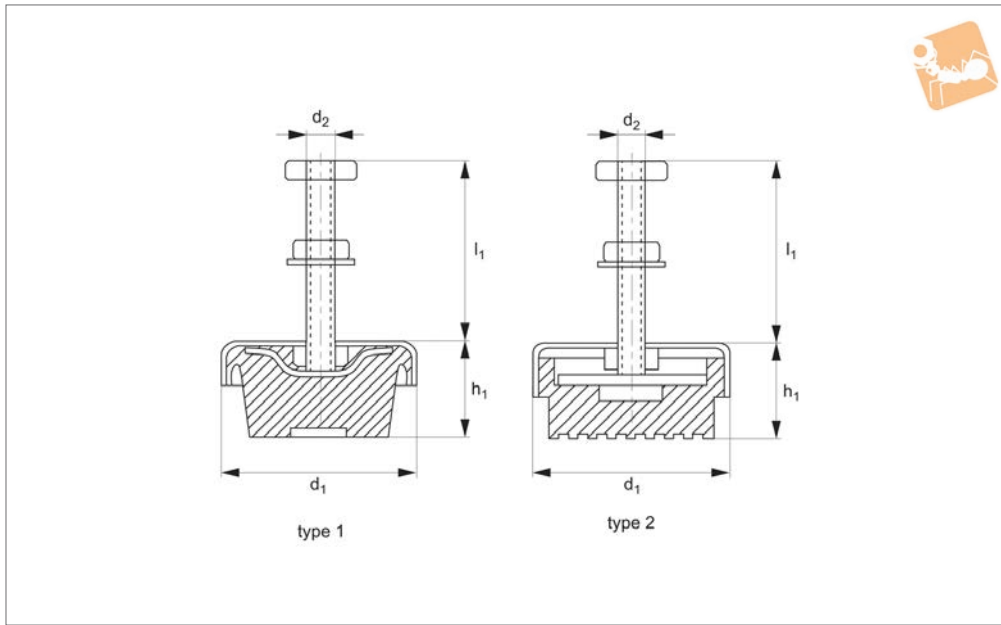
Technical Notes

High resistance machine mounts, little

Tips

Suitable for heavy machining and condi-

Order No.	Style	d_1	h_1	d_2	l_1	Load range kgf
P2152.065-F	Fixed	65	22	M12	90	200-800
P2152.100-F	Fixed	100	30	M16	110	800-2000
P2152.120-F	Fixed	120	33	M20	120	2000-4000
P2152.180-F	Fixed	180	40	M20	115	4000-6000
P2152.217-F	Fixed	217	52	M24	145	5000-10000
P2152.100-S	Swivel	100	30	M16	95	500-2000
P2152.120-S	Swivel	120	33	M20	120	2000-4000
P2152.180-S	Swivel	180	40	M20	130	4000-6000
P2152.217-S	Swivel	217	52	M24	150	5000-10000



P2153

LEVELLING FEET

Material

Coated steel body with special bowl shape to protect against corrosion. Synthetic rubber base (75 Shore A).

Technical Notes

Provides long life and outstanding stability.

Great adherence to the floor, due to excellent grip property. Quick and easy to install - for machine levelling.

Tips

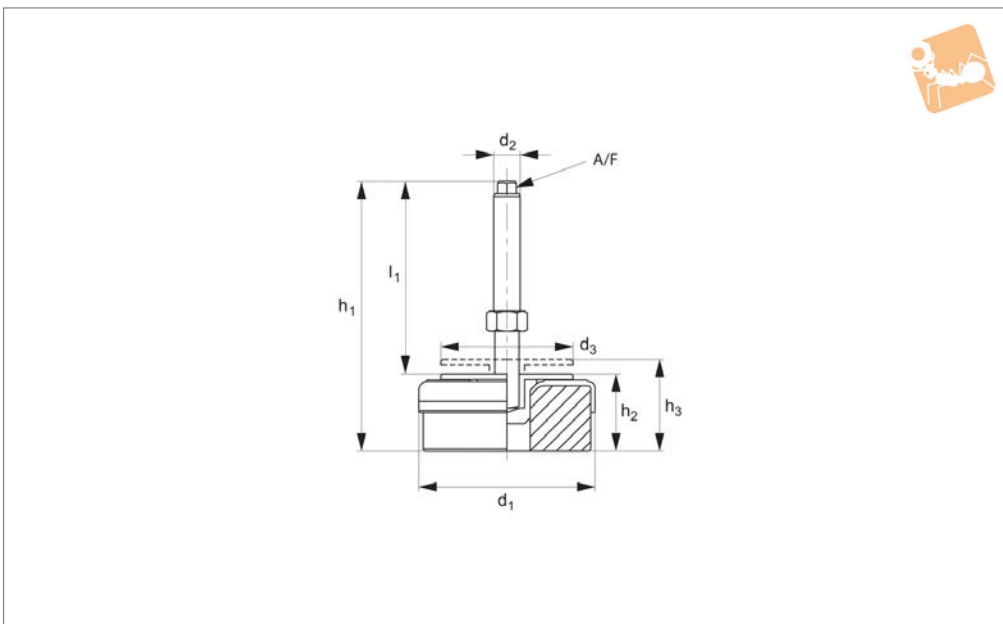
Suitable for heavy machinery with strong vibration/impact such as plastic injection

moulding machines, presses, guillotines etc.

Order No.	Type	d ₁	h ₁	d ₂	l ₁	Load range kgf
P2153.050	Type 1	50	24	M 8	40	0-100
P2153.075	Type 1	75	35	M10	65	100-350
P2153.085	Type 2	85	40	M12	80	350-600
P2153.090	Type 2	90	49	M16	100	600-900
P2153.125	Type 2	125	52	M16	115	1000-2500
P2153.170	Type 2	170	57	M20	110	2500-4000



P2154



Material

Galvanized steel, with rubber pad (90 Shore A).

Technical Notes

Provides great levelling accuracy, with its

fine pitch thread. Can take very high horizontal loads.

Tips

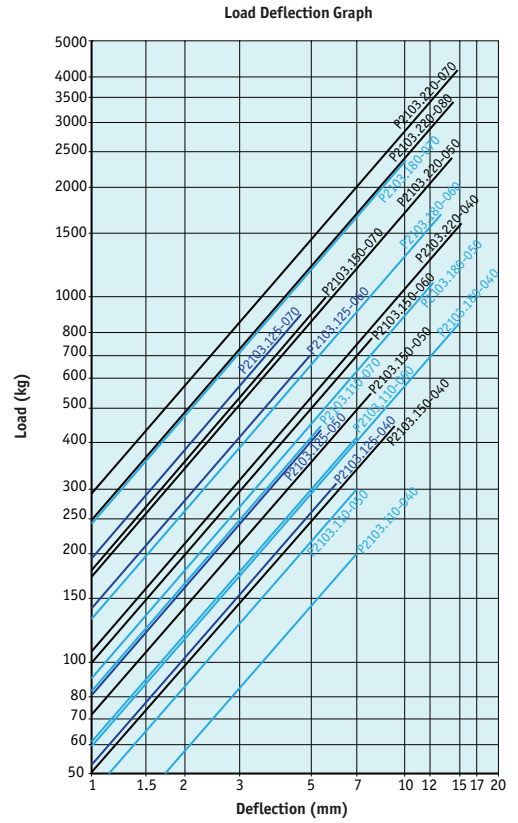
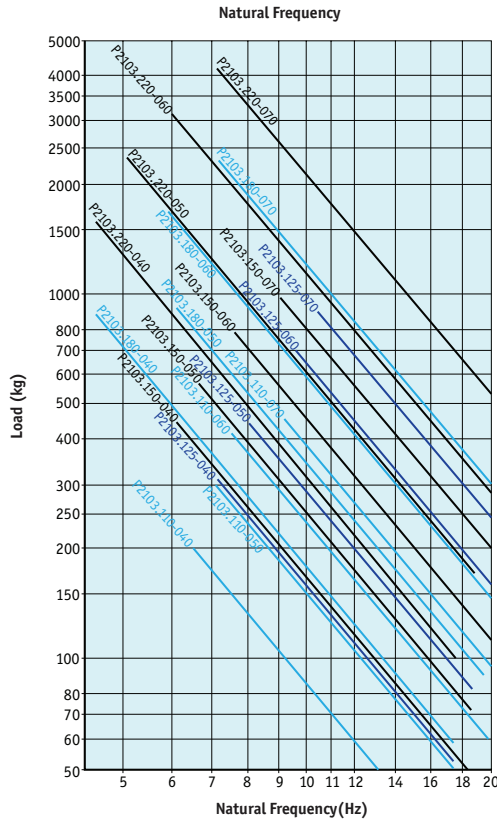
Suitable for heavy machinery with strong vibration/impacts, such as plastic injection

moulding machines, presses, guillotines etc. Do not raise higher than the max height (h_3).

Order No.	d_1	h_1	d_2	d_3	l_1	h_2	h_3	A/F	Dynamic load kgf	Static load kgf
P2154.080-012	80	130	M12x1,25	54	90	40	50	8	250	500
P2154.120-016	120	130	M16x1,5	80	85	45	58	12	400	1000
P2154.160-020	160	190	M20x1,5	102	136	54	68	15	900	2000
P2154.200-020	200	195	M20x1,5	102	136	60	75	15	1500	3500



P2103.110 - P2103.220



Mounts from Automation Components

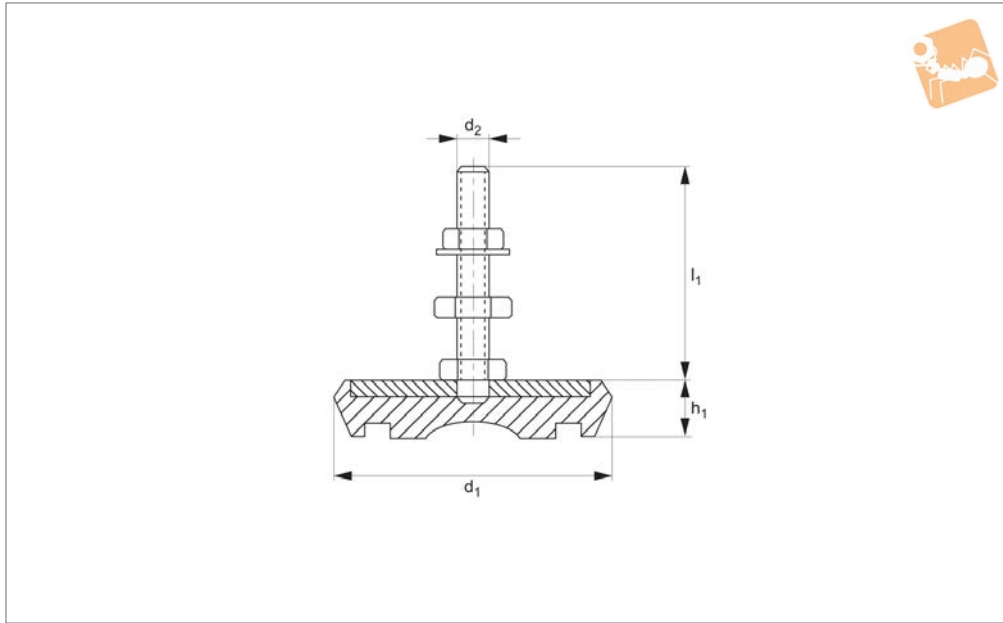
LEVELLING FEET



Stainless Machine Mounts rubber rubber base



Levelling Feet



P2160

LEVELLING FEET

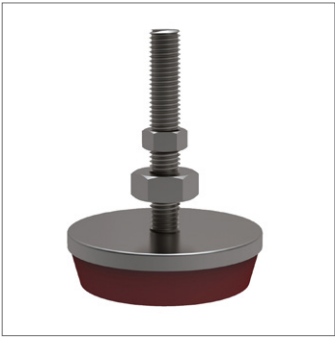
Material

Stainless steel body and thread (A2, AISI 304), with rubber base (65 Shore A).

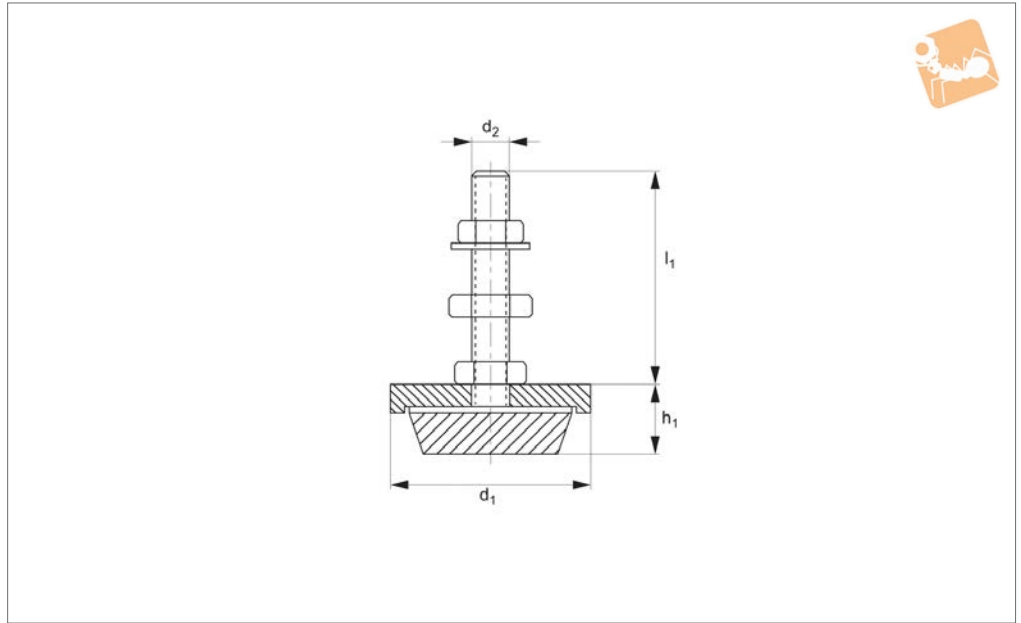
Technical Notes

Suitable for medium and high frequency vibrations and with smooth floors.

Order No.	d_1	h_1	d_2	l_1	Load range kgf
P2160.040	40	15	M 8	40	0-60
P2160.063	63	18	M10	83	30-100
P2160.070	70	22	M12	90	80-150
P2160.090	90	25	M12	90	100-350
P2160.106	106	29	M16	110	300-600
P2160.127	127	33	M16	110	500-900
P2160.150	150	39	M16	110	800-1500
P2160.170	170	42	M16	110	1300-2000



P2161



Material

Stainless steel body and thread (A2, AISI 304), with hard polyurethane base (80 Shore A).

applications. The hard polyurethane base is resistant to aggressive oils and chemicals.

Technical Notes

Ideally suited for food and pharmaceutical

Tips

The polyurethane base 80 Shore A also ensures very heavy load carrying capacity.

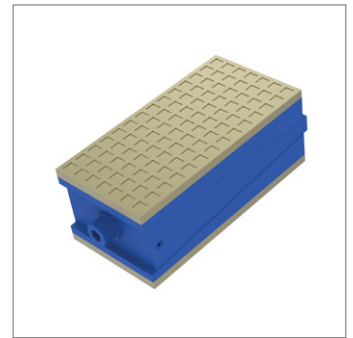
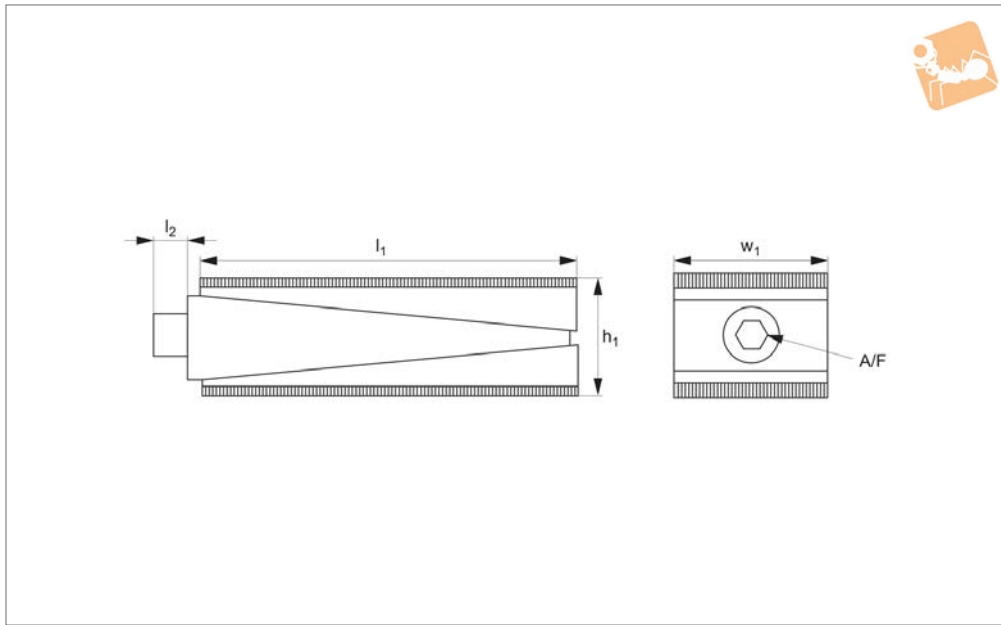
Order No.	d ₁	h ₁	d ₂	l ₁	Load range kgf
P2161.065	65	22	M12	90	200-800
P2161.100	100	30	M16	110	500-2000
P2161.120	120	33	M16	110	2000-4000
P2161.180	180	40	M16	110	4000-6000



Wedge Mounts anti-vibration



Levelling Feet



P2170

LEVELLING FEET

Material

Cast body, coated, with rubber base (65 Shore A) or harder polyurethane base (90 Shore A).

heavy loads. Adjustment by means of allen key on side. Adjustment is $\pm 5\text{mm}$ or $\pm 10\text{mm}$ depending on version selected - see table.

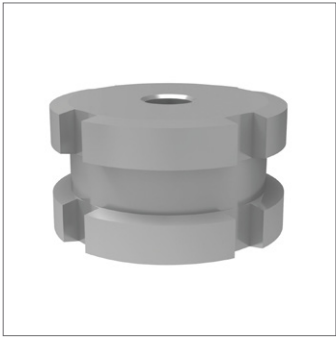
Tips

The rubber base versions have lower load carrying capacity but are less expensive than the polyurethane versions. Studded version available on the website.

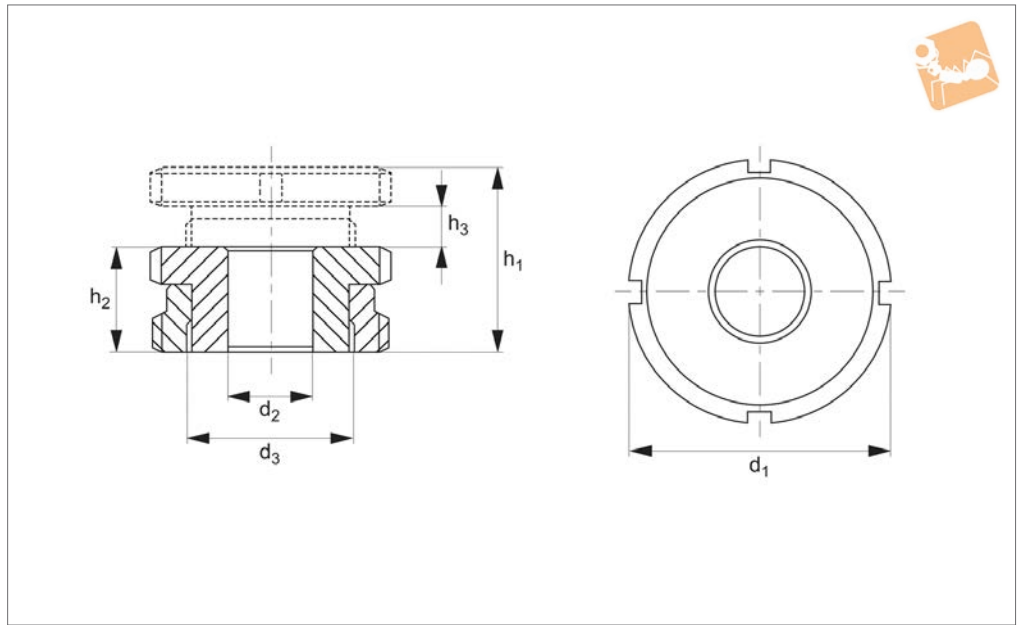
Technical Notes

For leveling and vibration dampening of

Order No.	h_1	l_1	w_1	l_2	A/F	Base material	Load range kgf
P2170.R150	60 \pm 5	150	75	12	12	Rubber	500 - 1000
P2170.P150	60 \pm 5	150	75	12	12	Polyurethane	700 - 2500
P2170.R220	70 \pm 10	200	100	12	12	Rubber	1500 - 3000
P2170.P220	70 \pm 10	200	100	12	12	Polyurethane	3000 - 6000



P2180



Material

Steel (type 42 CrMo4 V, 1.7225) zinc plated or stainless steel A1 (A4 on request).

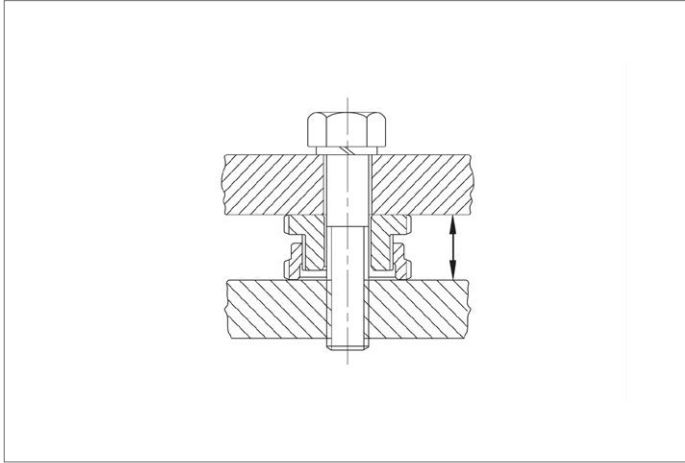
Technical Notes

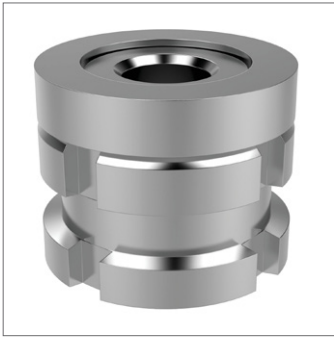
After setting the height, the structure can be bolted down using a suitable 8,8

strength bolt.

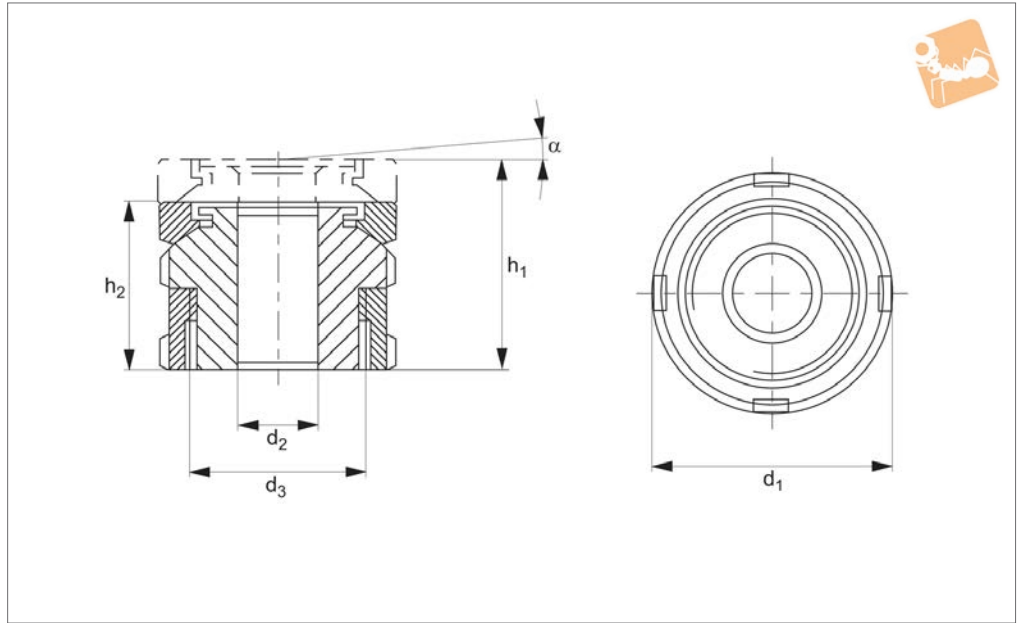
The net load that the unit can carry is the maximum load less the tightening torque recommended for the bolt. Designed for applications with limited space. Height adjustment is between 4 and 10mm.

Order No.	Material	For bolt	h_1	h_2	h_3	d_1	d_2	d_3	Load with bolt kN max.	Load w/o bolt kN max.
P2180.019-060-ZP	Steel	M 6	19	15	4	25	6.6	M15x1,0	30.70	40.0
P2180.023-060-ZP	Steel	M 6	23	18	5	32	6.6	M20x1,0	55.70	65.0
P2180.023-080-ZP	Steel	M 8	23	18	5	32	9.0	M20x1,0	48.00	65.0
P2180.023-100-ZP	Steel	M10	23	18	5	32	11.0	M20x1,0	37.90	65.0
P2180.029-100-ZP	Steel	M10	29	22	7	45	11.0	M30x1,5	92.90	120.0
P2180.029-120-ZP	Steel	M12	29	22	7	45	13.5	M30x1,5	80.40	120.0
P2180.029-160-ZP	Steel	M16	29	22	7	45	17.5	M30x1,5	45.50	120.0
P2180.037-160-ZP	Steel	M16	37	28	9	58	17.5	M40x1,5	136.00	210.0
P2180.037-200-ZP	Steel	M20	37	28	9	58	22.0	M40x1,5	90.00	210.0
P2180.037-240-ZP	Steel	M24	37	28	9	58	26.0	M40x1,5	37.00	210.0
P2180.043-240-ZP	Steel	M24	43	33	10	70	26.0	M50x1,5	157.00	330.0
P2180.019-060-A2	Stainless steel	M 6	19	15	4	25	6.6	M15x1,0	20.26	27.1
P2180.023-060-A2	Stainless steel	M 6	23	18	5	32	6.6	M20x1,0	36.56	43.4
P2180.023-080-A2	Stainless steel	M 8	23	18	5	32	9.0	M20x1,0	30.86	43.4
P2180.023-100-A2	Stainless steel	M10	23	18	5	32	11.0	M20x1,0	23.41	43.4
P2180.029-100-A2	Stainless steel	M10	29	22	7	45	11.0	M30x1,5	64.01	84.0
P2180.029-120-A2	Stainless steel	M12	29	22	7	45	13.5	M30x1,5	54.82	84.0
P2180.029-160-A2	Stainless steel	M16	29	22	7	45	17.5	M30x1,5	28.90	84.0
P2180.037-160-A2	Stainless steel	M16	37	28	9	58	17.5	M40x1,5	92.90	148.0
P2180.037-200-A2	Stainless steel	M20	37	28	9	58	22.0	M40x1,5	59.08	148.0
P2180.037-240-A2	Stainless steel	M24	37	28	9	58	26.0	M40x1,5	20.30	148.0
P2180.043-240-A2	Stainless steel	M24	43	33	10	70	26.0	M50x1,5	97.30	225.0





P2181



LEVELLING FEET

Material

Steel (type 42 CrMo4 V, 1.7225) zinc plated or stainless steel A1 (A4 on request).

Technical Notes

After setting the height, the structure can be bolted down using a suitable 8,8 strength bolt.

The net load that the unit can carry is the maximum load less the tightening torque recommended for the bolt. Please see useful info tab.

Designed for applications with limited space. Height adjustment is between 4 and 10mm. Designed for applications requiring

both height adjustment and precise adjustment of non-parallel surfaces, with a maximum angle of tilt 4°. For adjustment of non-parallel surfaces without height adjustment, see part no. P2186.

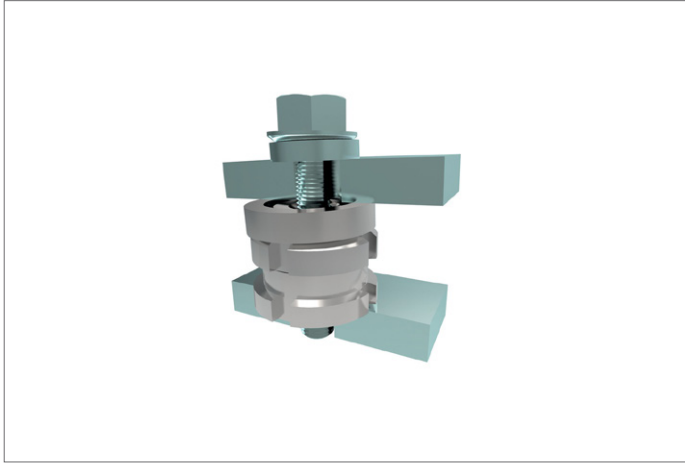
Order No.	Material	For bolt	h_1	h_2	d_1	d_2	d_3	α	Load with bolt kN max.	Load w/o bolt kN max.
P2181.026-060-ZP	Steel	M 6	26	22	25	6.6	M15x1,0	4°	30.70	40.0
P2181.031-060-ZP	Steel	M 6	31	26	32	6.6	M20x1,0	4°	55.70	65.0
P2181.031-080-ZP	Steel	M 8	31	26	32	9.0	M20x1,0	4°	48.00	65.0
P2181.031-100-ZP	Steel	M10	31	26	32	11.0	M20x1,0	4°	37.90	65.0
P2181.041-100-ZP	Steel	M10	41	34	45	11.0	M30x1,5	4°	92.90	120.0
P2181.041-120-ZP	Steel	M12	41	34	45	13.5	M30x1,5	4°	80.40	120.0
P2181.041-160-ZP	Steel	M16	41	34	45	17.5	M30x1,5	4°	45.50	120.0
P2181.053-160-ZP	Steel	M16	53	44	58	17.5	M40x1,5	4°	136.00	210.0
P2181.053-200-ZP	Steel	M20	53	44	58	22.0	M40x1,5	4°	90.00	210.0
P2181.053-240-ZP	Steel	M24	53	44	58	26.0	M40x1,5	4°	37.00	210.0
P2181.060-200-ZP	Steel	M20	60	50	70	22.0	M50x1,5	4°	210.00	330.0
P2181.060-240-ZP	Steel	M24	60	50	70	26.0	M50x1,5	4°	157.00	330.0
P2181.060-300-ZP	Steel	M30	60	50	70	33.0	M50x1,5	4°	53.00	330.0
P2181.026-060-A2	Stainless steel	M 6	26	22	25	6.6	M15x1,0	4°	20.26	27.1
P2181.031-060-A2	Stainless steel	M 6	31	26	32	6.6	M20x1,0	4°	36.56	43.4
P2181.031-080-A2	Stainless steel	M 8	31	26	32	9.0	M20x1,0	4°	30.86	43.4
P2181.031-100-A2	Stainless steel	M10	31	26	32	11.0	M20x1,0	4°	23.41	43.4
P2181.041-100-A2	Stainless steel	M10	41	34	45	11.0	M30x1,5	4°	64.01	84.0
P2181.041-120-A2	Stainless steel	M12	41	34	45	13.5	M30x1,5	4°	54.82	84.0
P2181.041-160-A2	Stainless steel	M16	41	34	45	17.5	M30x1,5	4°	28.90	84.0
P2181.053-160-A2	Stainless steel	M16	53	44	58	17.5	M40x1,5	4°	92.90	148.0
P2181.053-200-A2	Stainless steel	M20	53	44	58	22.0	M40x1,5	4°	59.08	148.0
P2181.053-240-A2	Stainless steel	M24	53	44	58	26.0	M40x1,5	4°	20.30	148.0
P2181.060-200-A2	Stainless steel	M20	60	50	70	22.0	M50x1,5	4°	136.08	225.0
P2181.060-240-A2	Stainless steel	M24	60	50	70	26.0	M50x1,5	4°	97.30	225.0
P2181.060-300-A2	Stainless steel	M30	60	50	70	33.0	M50x1,5	4°	20.60	225.0



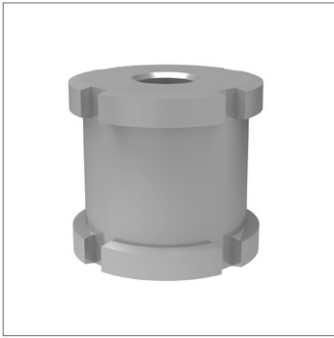
Tilt Head Precision Adjuster



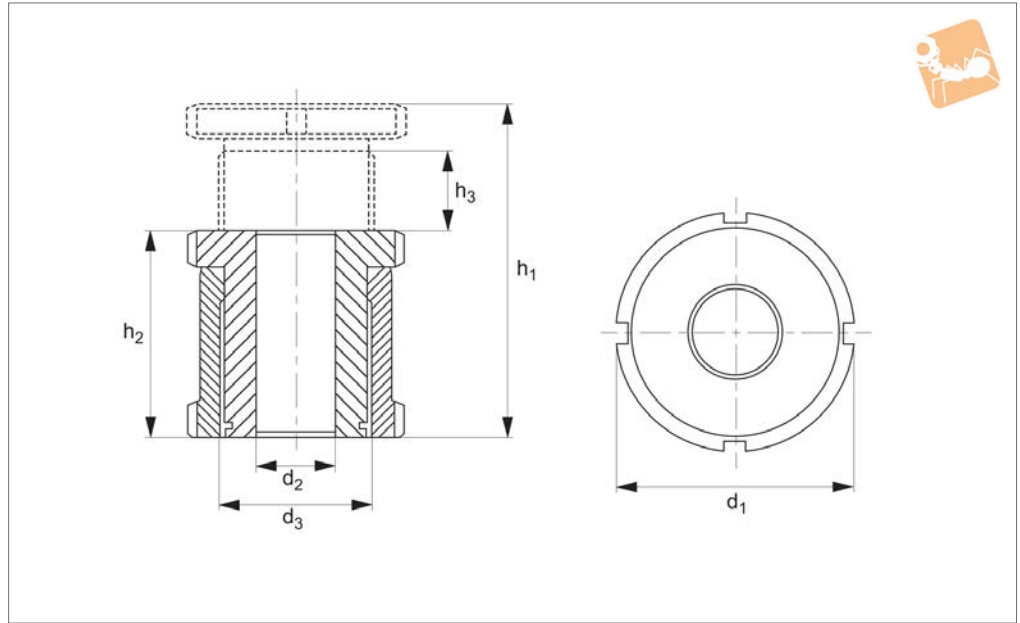
Levelling Feet



LEVELLING FEET



P2182



Material

Steel (type 42 CrMo4 V, 1.7225) zinc plated or stainless steel A1 (A4 on request).

Technical Notes

After setting the height, the structure can be bolted down using a suitable 8,8

strength bolt.

The net load that the unit can carry is the maximum load less the tightening torque recommended for the bolt. Designed for applications where a wide adjustment range is required - height adjustment is

equal to 15 to 40mm.

Order No.	Material	For bolt	h_1	h_2	h_3	d_1	d_2	d_3	Load with bolt kN max.	Load w/o bolt kN max.
P2182.028-060-ZP	Steel	M 6	43	28	15	25	6.6	M15x1,0	30.70	40.00
P2182.035-060-ZP	Steel	M 6	55	35	20	32	6.6	M20x1,0	55.70	65.00
P2182.035-080-ZP	Steel	M 8	55	35	20	32	9.0	M20x1,0	48.00	65.00
P2182.035-100-ZP	Steel	M10	55	35	20	32	11.0	M20x1,0	37.90	65.00
P2182.042-100-ZP	Steel	M10	67	42	25	45	11.0	M30x1,5	92.90	120.00
P2182.042-120-ZP	Steel	M12	67	42	25	45	13.5	M30x1,5	80.40	120.00
P2182.042-160-ZP	Steel	M16	67	42	25	45	17.5	M30x1,5	45.50	120.00
P2182.054-160-ZP	Steel	M16	86	54	32	58	17.5	M40x1,5	136.00	210.00
P2182.054-200-ZP	Steel	M20	86	54	32	58	22.0	M40x1,5	90.00	210.00
P2182.054-240-ZP	Steel	M24	86	54	32	58	26.0	M40x1,5	37.00	210.00
P2182.066-200-ZP	Steel	M20	106	66	40	70	22.0	M50x1,5	210.00	330.00
P2182.066-240-ZP	Steel	M24	106	66	40	70	26.0	M50x1,5	157.00	330.00
P2182.066-300-ZP	Steel	M30	106	66	40	70	33.0	M50x1,5	53.00	330.00
P2182.028-060-A2	Stainless steel	M 6	43	28	15	25	6.6	M15x1,0	20.26	27.10
P2182.035-060-A2	Stainless steel	M 6	55	35	20	32	6.6	M20x1,0	36.56	43.40
P2182.035-080-A2	Stainless steel	M 8	55	35	20	32	9.0	M20x1,0	30.86	43.40
P2182.035-100-A2	Stainless steel	M10	55	35	20	32	11.0	M20x1,0	23.41	43.40
P2182.042-100-A2	Stainless steel	M10	67	42	25	45	11.0	M30x1,5	64.01	84.00
P2182.042-120-A2	Stainless steel	M12	67	42	25	45	13.5	M30x1,5	54.82	84.00
P2182.042-160-A2	Stainless steel	M16	67	42	25	45	17.5	M30x1,5	28.90	84.00
P2182.054-160-A2	Stainless steel	M16	86	54	32	58	17.5	M40x1,5	92.90	148.00
P2182.054-200-A2	Stainless steel	M20	86	54	32	58	22.0	M40x1,5	59.08	148.00
P2182.054-240-A2	Stainless steel	M24	86	54	32	58	26.0	M40x1,5	20.30	148.00
P2182.066-200-A2	Stainless steel	M20	106	66	40	70	22.0	M50x1,5	136.08	225.00
P2182.066-240-A2	Stainless steel	M24	106	66	40	70	26.0	M50x1,5	97.30	225.00
P2182.066-300-A2	Stainless steel	M30	106	66	40	70	33.0	M50x1,5	20.60	225.00



Precision Adjuster



Levelling Feet



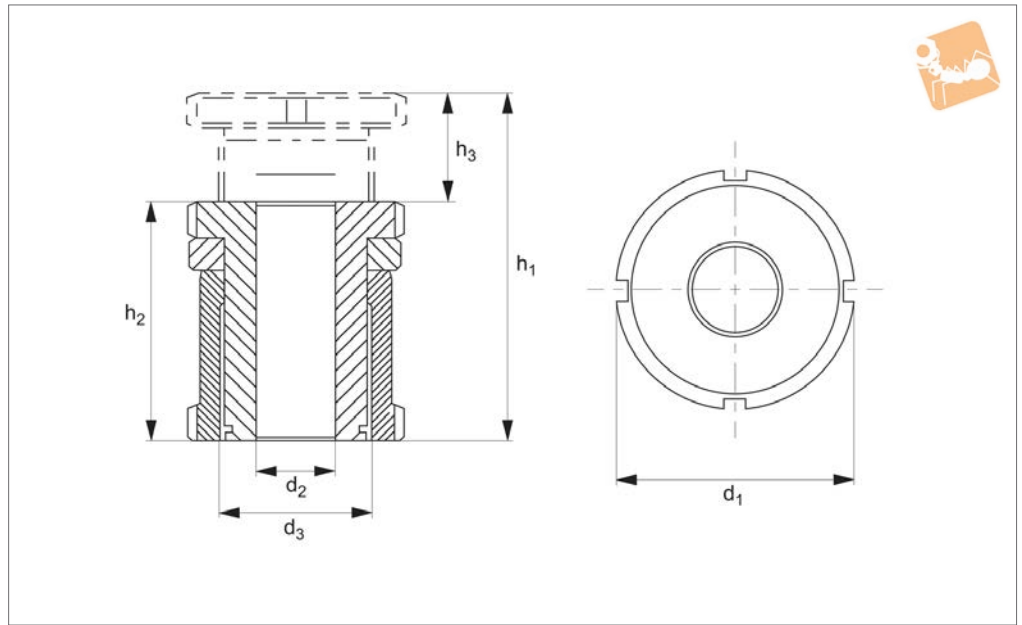
LEVELLING FEET



LEVELLING FEET



P2183



Material

Steel (type 42 CrMo4 V, 1.7225) zinc plated or stainless steel A1 (A4 on request).

Technical Notes

After setting the height, the structure can be bolted down using a suitable 8,8

strength bolt.

The net load that the unit can carry is the maximum load less the tightening torque recommended for the bolt.

Designed for applications with a dynamic load, or where no fasteners are used. The

locknut enables locking of the adjuster in a pre-set position.

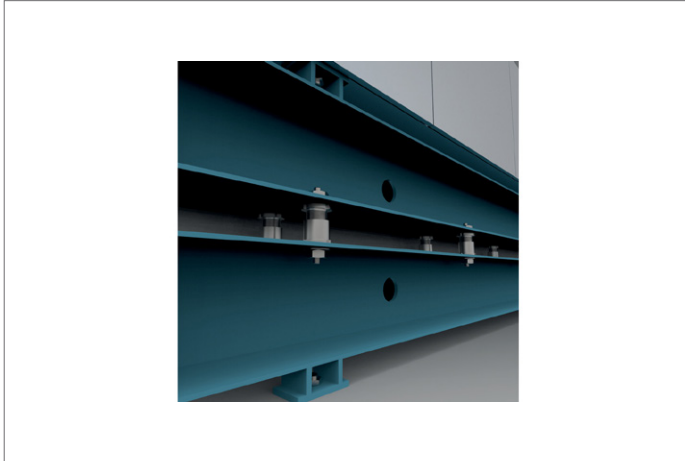
Order No.	Material	For bolt	h_1	h_2	h_3	d_1	d_2	d_3	Load with bolt kN max.	Load w/o bolt kN max.
P2183.043-060-ZP	Steel	M 6	43	33	10	25	6.6	M15x1,0	30.70	40.00
P2183.055-060-ZP	Steel	M 6	55	41	14	32	6.6	M20x1,0	55.70	65.00
P2183.055-080-ZP	Steel	M 8	55	41	14	32	9.0	M20x1,0	48.00	65.00
P2183.067-100-ZP	Steel	M10	67	49	18	45	11.0	M30x1,5	92.90	120.00
P2183.067-120-ZP	Steel	M12	67	49	18	45	13.5	M30x1,5	80.40	120.00
P2183.067-160-ZP	Steel	M16	67	49	18	45	17.5	M30x1,5	45.50	120.00
P2183.086-160-ZP	Steel	M16	86	63	23	58	17.5	M40x1,5	136.00	210.00
P2183.086-200-ZP	Steel	M20	86	63	23	58	22.0	M40x1,5	90.00	210.00
P2183.086-240-ZP	Steel	M24	86	63	23	58	26.0	M40x1,5	37.00	210.00
P2183.106-200-ZP	Steel	M20	106	77	29	70	22.0	M50x1,5	210.00	330.00
P2183.106-240-ZP	Steel	M24	106	77	29	70	26.0	M50x1,5	157.00	330.00
P2183.106-300-ZP	Steel	M30	106	77	29	70	33.0	M50x1,5	53.00	330.00
P2183.043-060-A2	Stainless steel	M 6	43	33	10	25	6.6	M15x1,0	20.26	27.10
P2183.055-060-A2	Stainless steel	M 6	55	41	14	32	6.6	M20x1,0	36.56	43.40
P2183.055-080-A2	Stainless steel	M 8	55	41	14	32	9.0	M20x1,0	30.86	43.40
P2183.055-100-A2	Stainless steel	M10	55	41	14	32	11.0	M20x1,0	23.41	43.40
P2183.067-120-A2	Stainless steel	M12	67	49	18	45	13.5	M30x1,5	54.82	84.00
P2183.067-160-A2	Stainless steel	M16	67	49	18	45	17.5	M30x1,5	28.90	84.00
P2183.086-160-A2	Stainless steel	M16	86	63	23	58	17.5	M40x1,5	92.90	148.00
P2183.086-200-A2	Stainless steel	M20	86	63	23	58	22.0	M40x1,5	59.08	148.00
P2183.086-240-A2	Stainless steel	M24	86	63	23	58	26.0	M40x1,5	20.30	148.00
P2183.106-200-A2	Stainless steel	M20	106	77	29	70	22.0	M50x1,5	136.08	225.00
P2183.106-240-A2	Stainless steel	M24	106	77	29	70	26.0	M50x1,5	97.30	225.00
P2183.106-300-A2	Stainless steel	M30	106	77	29	70	33.0	M50x1,5	20.60	225.00



Precision Adjuster with locking nut



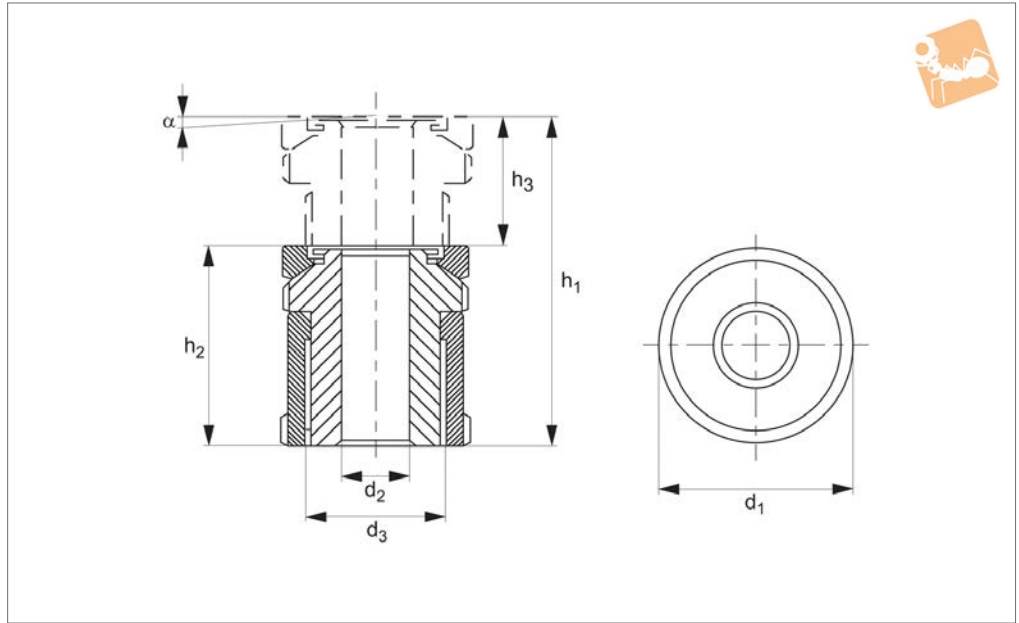
Levelling Feet



LEVELLING FEET



P2184



LEVELLING FEET

Material

Steel (type 42 CrMo4 V, 1.7225) zinc plated or stainless steel A1 (A4 on request).

Technical Notes

After setting the height, the structure can be bolted down using a suitable 8,8

strength bolt.

The net load that the unit can carry is the maximum load less the tightening torque recommended for the bolt. Designed for applications where a wide adjustment range is required - height adjustment is

equal to 15 to 40mm.

Order No.	Material	For bolt	h_1 min.	h_2 max.	d_1	d_2	d_3	α app.	Load with bolt kN max.	Load w/o bolt kN max.
P2184.050-040-ZP	Steel	M 4	50	35	25	4.5	M15x1,0	4°	36.00	40.00
P2184.050-050-ZP	Steel	M 5	50	35	25	5.5	M15x1,0	4°	33.40	40.00
P2184.050-060-ZP	Steel	M 6	50	35	25	6.6	M15x1,0	4°	30.70	40.00
P2184.063-060-ZP	Steel	M 6	63	43	32	6.6	M20x1,0	4°	56.70	65.00
P2184.063-080-ZP	Steel	M 8	63	43	32	9.0	M20x1,0	4°	48.90	65.00
P2184.063-100-ZP	Steel	M10	63	43	32	11.0	M20x1,0	4°	37.90	65.00
P2184.079-100-ZP	Steel	M10	79	54	45	11.0	M30x1,5	4°	92.90	120.00
P2184.079-120-ZP	Steel	M12	79	54	45	13.5	M30x1,5	4°	80.40	120.00
P2184.079-160-ZP	Steel	M16	79	54	45	17.5	M30x1,5	4°	45.50	120.00
P2184.102-160-ZP	Steel	M16	102	70	58	17.5	M40x1,5	4°	136.00	210.00
P2184.102-200-ZP	Steel	M20	102	70	58	22.0	M40x1,5	4°	90.80	210.00
P2184.102-240-ZP	Steel	M24	102	70	58	26.0	M40x1,5	4°	37.00	210.00
P2184.123-200-ZP	Steel	M20	123	83	70	22.0	M50x1,5	4°	210.00	330.00
P2184.123-240-ZP	Steel	M24	123	83	70	26.0	M50x1,5	4°	157.00	330.00
P2184.123-300-ZP	Steel	M30	123	83	70	33.0	M50x1,5	4°	53.00	330.00
P2184.050-040-A2	Stainless Steel	M 4	50	35	25	4.5	M15x1,0	4°	24.14	27.10
P2184.050-050-A2	Stainless Steel	M 5	50	35	25	5.5	M15x1,0	4°	22.24	27.10
P2184.050-060-A2	Stainless Steel	M 6	50	35	25	6.6	M15x1,0	4°	20.26	27.10
P2184.063-060-A2	Stainless Steel	M 6	63	43	32	6.6	M20x1,0	4°	36.56	43.40
P2184.063-080-A2	Stainless Steel	M 8	63	43	32	9.0	M20x1,0	4°	30.86	43.40
P2184.063-100-A2	Stainless Steel	M10	63	43	32	11.0	M20x1,0	4°	23.41	43.40
P2184.079-100-A2	Stainless Steel	M10	79	54	45	11.0	M30x1,5	4°	64.01	84.00
P2184.079-120-A2	Stainless Steel	M12	79	54	45	13.5	M30x1,5	4°	54.52	84.00
P2184.079-160-A2	Stainless Steel	M16	79	54	45	17.5	M30x1,5	4°	28.90	84.00
P2184.102-160-A2	Stainless Steel	M16	102	70	58	17.5	M40x1,5	4°	92.90	148.00
P2184.102-200-A2	Stainless Steel	M20	102	70	58	22.0	M40x1,5	4°	59.08	148.00
P2184.102-240-A2	Stainless Steel	M24	102	70	58	26.0	M40x1,5	4°	20.30	148.00
P2184.123-200-A2	Stainless Steel	M20	123	83	70	22.0	M50x1,5	4°	136.08	225.00
P2184.123-240-A2	Stainless Steel	M24	123	83	70	26.0	M50x1,5	4°	97.30	225.00
P2184.123-300-A2	Stainless Steel	M30	123	83	70	33.0	M50x1,5	4°	20.60	225.00

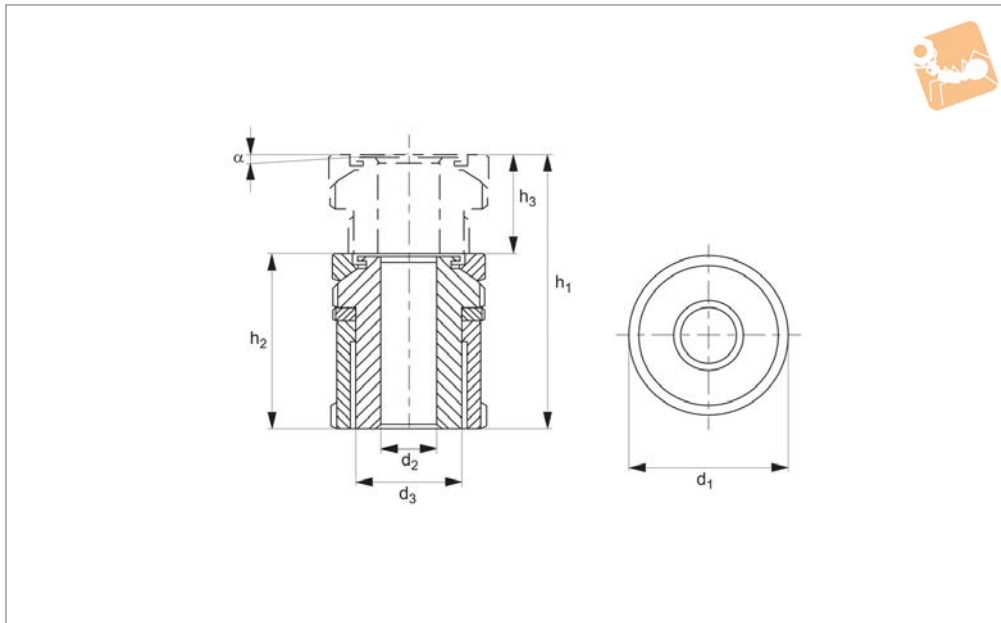


Tilt Head Precision Adjuster

tall with locking nut



Levelling Feet



P2185

LEVELLING FEET

Material

Steel (type 42 CrMo4 V, 1.7225) zinc plated or stainless steel A1 (A4 on request).

Technical Notes

After setting the height, the structure can be bolted down using a suitable 8,8

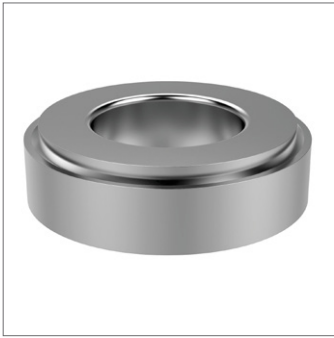
strength bolt.

The net load that the unit can carry is the maximum load less the tightening torque recommended for the bolt.

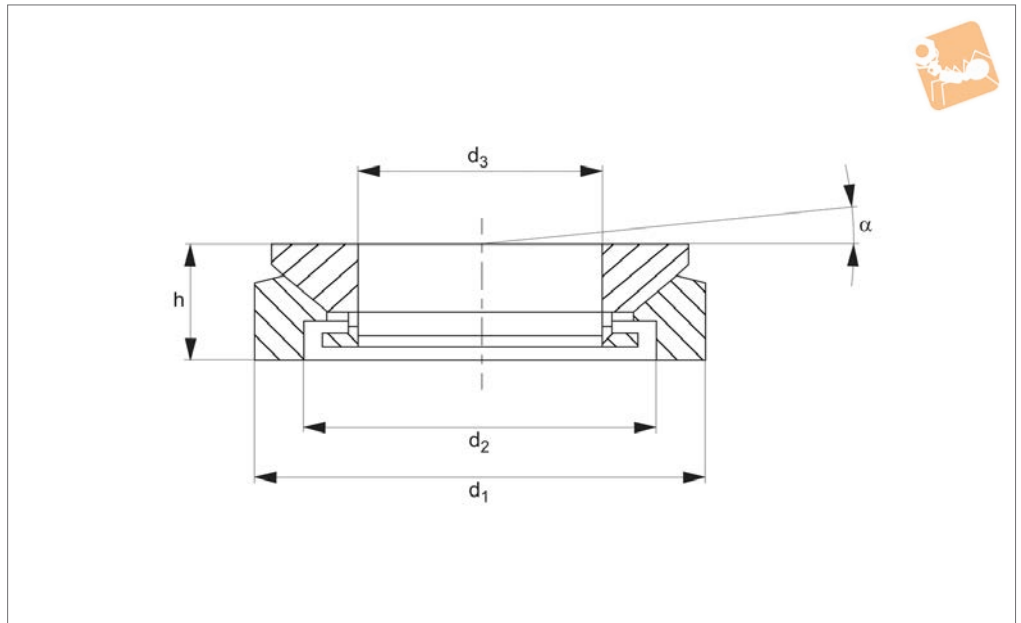
Designed for applications where a wide adjustment range is required - height

adjustment is equal to 15 to 40mm.

Order No.	Material	For bolt	h ₁	h ₂	h ₃	d ₁	d ₂	d ₃	α app.	Load with bolt kN max.	Load w/o bolt kN max.
P2185.050-040-ZP	Steel	M 4	50	40	10	25	4.5	M15x1,0	4°	36.00	40.00
P2185.050-050-ZP	Steel	M 5	50	40	10	25	5.5	M15x1,0	4°	33.40	40.00
P2185.050-060-ZP	Steel	M 6	50	40	10	25	6.5	M15x1,0	4°	30.70	40.00
P2185.063-060-ZP	Steel	M 6	63	49	14	32	6.6	M20x1,0	4°	55.70	65.00
P2185.063-080-ZP	Steel	M 8	63	49	14	32	9.0	M20x1,0	4°	48.00	65.00
P2185.063-100-ZP	Steel	M10	63	49	14	32	11.0	M20x1,0	4°	37.90	65.00
P2185.079-100-ZP	Steel	M10	79	61	18	45	11.0	M30x1,5	4°	92.90	120.00
P2185.079-120-ZP	Steel	M12	79	61	18	45	13.5	M30x1,5	4°	80.40	120.00
P2185.079-160-ZP	Steel	M16	79	61	18	45	17.5	M30x1,5	4°	45.50	120.00
P2185.102-160-ZP	Steel	M16	102	79	23	58	17.5	M40x1,5	4°	136.00	210.00
P2185.102-200-ZP	Steel	M20	102	79	23	58	22.0	M40x1,5	4°	90.00	210.00
P2185.102-240-ZP	Steel	M24	102	79	23	58	26.0	M40x1,5	4°	37.00	210.00
P2185.123-200-ZP	Steel	M20	123	94	29	70	22.0	M50x1,5	4°	210.00	330.00
P2185.123-240-ZP	Steel	M24	123	94	29	70	26.0	M50x1,5	4°	157.00	330.00
P2185.123-300-ZP	Steel	M30	123	94	29	70	33.0	M50x1,5	4°	53.00	330.00
P2185.050-040-A2	Stainless steel	M 4	50	40	10	25	4.5	M15x1,0	4°	24.14	27.10
P2185.050-050-A2	Stainless steel	M 5	50	40	10	25	5.5	M15x1,0	4°	22.24	27.10
P2185.050-060-A2	Stainless steel	M 6	50	40	10	25	6.5	M15x1,0	4°	20.26	27.10
P2185.063-060-A2	Stainless steel	M 6	63	49	14	32	6.6	M20x1,0	4°	36.56	43.40
P2185.063-080-A2	Stainless steel	M 8	63	49	14	32	9.0	M20x1,0	4°	30.86	43.40
P2185.063-100-A2	Stainless steel	M10	63	49	14	32	11.0	M20x1,0	4°	23.41	43.40
P2185.079-100-A2	Stainless steel	M10	79	61	18	45	11.0	M30x1,5	4°	64.01	84.00
P2185.079-120-A2	Stainless steel	M12	79	61	18	45	13.5	M30x1,5	4°	54.82	84.00
P2185.079-160-A2	Stainless steel	M16	79	61	18	45	17.5	M30x1,5	4°	28.90	84.00
P2185.102-160-A2	Stainless steel	M16	102	79	23	58	17.5	M40x1,5	4°	92.90	148.00
P2185.102-200-A2	Stainless steel	M20	102	79	23	58	22.0	M40x1,5	4°	59.08	148.00
P2185.102-240-A2	Stainless steel	M24	102	79	23	58	26.0	M40x1,5	4°	20.30	148.00
P2185.123-200-A2	Stainless steel	M20	123	94	29	70	22.0	M50x1,5	4°	136.08	225.00
P2185.123-240-A2	Stainless steel	M24	123	94	29	70	26.0	M50x1,5	4°	97.30	225.00
P2185.123-300-A2	Stainless steel	M30	123	94	29	70	33.0	M50x1,5	4°	20.60	225.00



P2186



Material

Steel (type 42 CrMo4 V, 1.7225) zinc plated or stainless steel A1 (A4 on request).

Technical Notes

Compensates for non-level surfaces with a maximum angle of tilt 4°. Please remember

that the fixing screw and washer may also require support if the bearing surface is out of parallel by more than 1°.

The ball shim has no height adjustment feature.

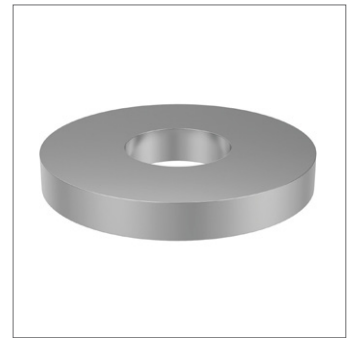
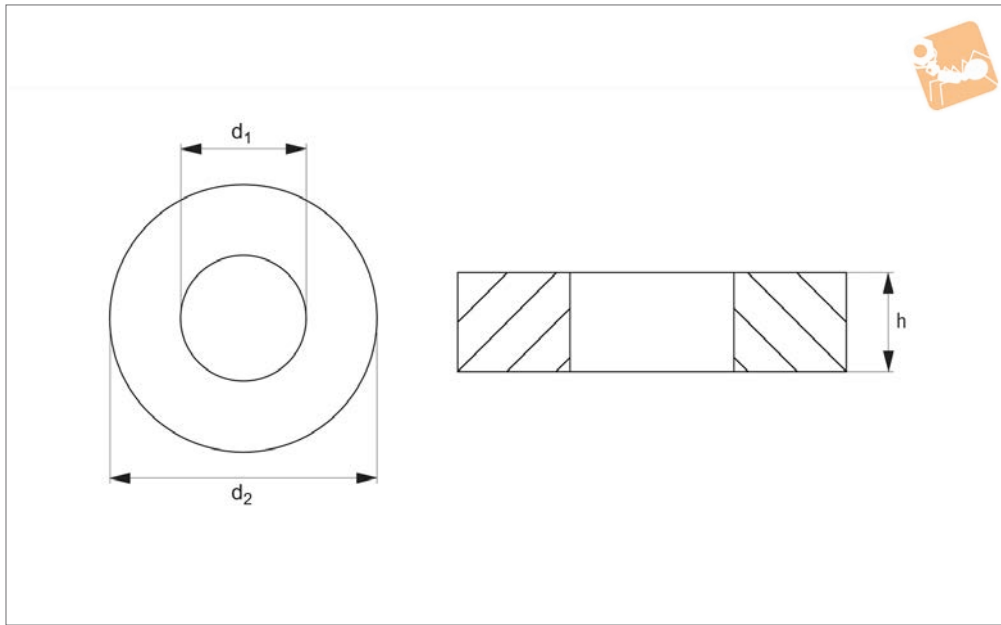
Order No.	Material	For bolt	d ₁	d ₂	d ₃	h	α app.
P2186.008-060-ZP	Steel	M 6	25	15	8.5	8.0	4°
P2186.010-100-ZP	Steel	M10	32	20	13.0	10.0	4°
P2186.012-160-ZP	Steel	M16	45	30	20.0	12.5	4°
P2186.016-240-ZP	Steel	M24	58	38	29.0	16.0	4°
P2186.020-300-ZP	Steel	M30	70	48	36.0	20.0	4°
P2186.020-360-ZP	Steel	M36	80	61	44.0	20.0	4°
P2186.020-480-ZP	Steel	M48	105	78	58.0	25.0	4°
P2186.008-060-A2	Stainless steel	M 6	25	15	8.5	8.0	4°
P2186.010-100-A2	Stainless steel	M10	32	20	13.0	10.0	4°
P2186.012-160-A2	Stainless steel	M16	45	30	20.0	12.5	4°
P2186.016-240-A2	Stainless steel	M24	58	38	29.0	16.0	4°
P2186.020-300-A2	Stainless steel	M30	70	48	36.0	20.0	4°
P2186.020-360-A2	Stainless steel	M36	80	61	44.0	20.0	4°
P2186.020-480-A2	Stainless steel	M48	105	78	58.0	25.0	4°



Spacers

for part nos. P2180 to P2186

Levelling Feet



P2187

LEVELLING FEET

Material

Steel (type 42 CrMo4 V, 1.7225) zinc plated or stainless steel A1 (A4 on request).

Technical Notes

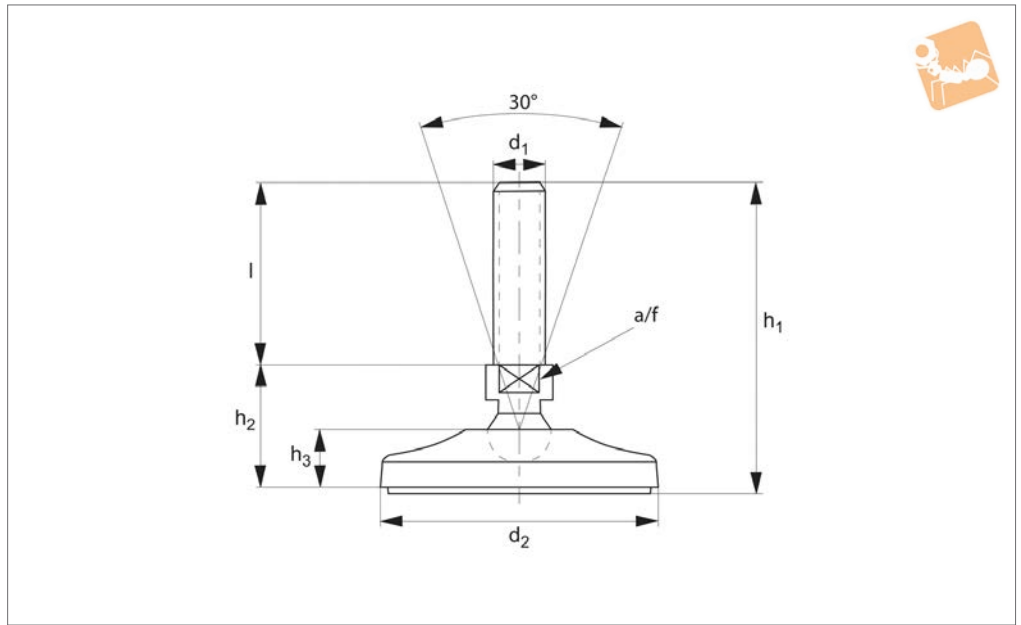
Used to bridge gaps on applications where the height adjustment of an adjuster is

insufficient.

Order No.	Material	For bolt	d ₁	d ₂	h
P2187.060-ZP	Steel	M 6	6.6	25	4
P2187.100-ZP	Steel	M10	11.0	32	5
P2187.160-ZP	Steel	M16	17.5	45	6
P2187.240-ZP	Steel	M24	26.0	58	8
P2187.300-ZP	Steel	M30	33.0	70	10
P2187.360-ZP	Steel	M36	39.0	80	12
P2187.480-ZP	Steel	M48	52.0	105	16
P2187.060-A2	Stainless steel	M 6	6.6	25	4
P2187.100-A2	Stainless steel	M10	11.0	32	5
P2187.160-A2	Stainless steel	M16	17.5	45	6
P2187.240-A2	Stainless steel	M24	26.0	58	8
P2187.300-A2	Stainless steel	M30	33.0	70	10
P2187.360-A2	Stainless steel	M36	39.0	80	12
P2187.480-A2	Stainless steel	M48	52.0	105	16



P2200.AV1



Material

Stainless steel (AISI 304), with rubber pad (70 Shore A).
Stainless steel (AISI 316) version available

on request.

Technical Notes

Load values refer to static loads, located at

half the screw height.

When vibrations or dynamic loads are present these values should be reduced.

Order No.	d ₁	d ₂	l	h ₁	h ₂	h ₃	A/F	Load kN max.
P2200.040-08-025	M 8	40	25	53	25	14.5	12	10
P2200.040-08-050	M 8	40	50	78	25	14.5	12	10
P2200.040-08-075	M 8	40	75	103	25	14.5	12	10

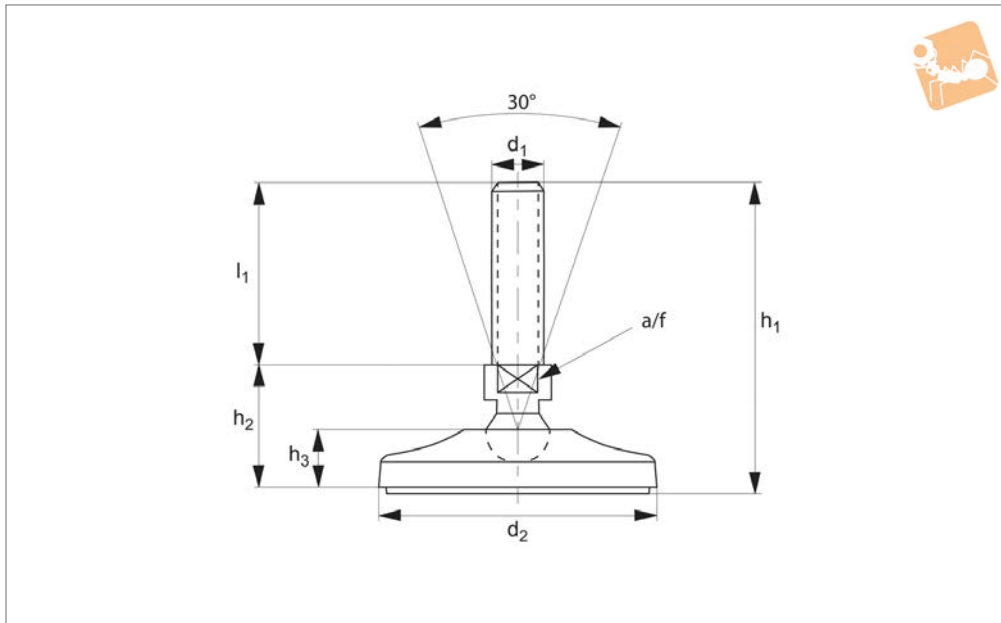


Levelling Feet

stainless steel swivel



Levelling Feet



P2200.AV2

LEVELLING FEET

Material

Stainless steel (AISI 304), with rubber pad (70 Shore A).
Stainless steel (AISI 316) version available

on request.

Technical Notes

Load values refer to static loads, located at

half the screw height.

When vibrations or dynamic loads are present these values should be reduced.

Order No.	d ₁	l ₁	d ₂	h ₁	h ₂	h ₃	A/F	Load kN max.
P2200.050-10-025	M10	25	50	56	28	16.0	14	15
P2200.050-10-050	M10	50	50	81	28	16.0	14	15
P2200.050-10-075	M10	75	50	106	28	16.0	14	15
P2200.050-10-100	M10	100	50	131	28	16.0	14	15
P2200.050-10-125	M10	125	50	156	28	16.0	14	15
P2200.050-12-025	M12	25	50	56	28	16.0	14	15
P2200.050-12-050	M12	50	50	81	28	16.0	14	15
P2200.050-12-075	M12	75	50	106	28	16.0	14	15
P2200.050-12-100	M12	100	50	131	28	16.0	14	15
P2200.050-12-125	M12	125	50	156	28	16.0	14	15
P2200.065-14-050	M14	50	65	83	30	17.0	14	20
P2200.065-14-075	M14	75	65	108	30	17.0	14	20
P2200.065-14-100	M14	100	65	133	30	17.0	14	20
P2200.065-14-125	M14	125	65	158	30	17.0	14	20
P2200.065-14-150	M14	150	65	183	30	17.0	14	20
P2200.100-16-050	M16	50	100	96	43	20.0	20	35
P2200.100-16-075	M16	75	100	121	43	20.0	20	35
P2200.100-16-125	M16	125	100	171	43	20.0	20	35
P2200.100-16-150	M16	150	100	196	43	20.0	20	35
P2200.100-16-175	M16	175	100	221	43	20.0	20	35
P2200.100-16-200	M16	200	100	246	43	20.0	20	35
P2200.100-20-075	M20	75	100	121	43	20.0	20	45
P2200.100-20-100	M20	100	100	146	43	20.0	20	45
P2200.100-20-125	M20	125	100	171	43	20.0	20	45
P2200.100-20-150	M20	150	100	196	43	20.0	20	45
P2200.100-20-175	M20	175	100	221	43	20.0	20	45
P2200.100-20-200	M20	200	100	246	43	20.0	20	45
P2200.100-20-225	M20	225	100	271	43	20.0	20	45
P2200.100-20-250	M20	250	100	296	43	20.0	20	45
P2200.100-24-075	M24	75	100	122	44	20.0	20	55
P2200.100-24-100	M24	100	100	147	44	20.0	20	55
P2200.100-24-175	M24	175	100	222	44	20.0	20	55
P2200.100-24-200	M24	200	100	247	44	20.0	20	55

Levelling Feet

Levelling Feet

stainless steel swivel



Order No.	d ₁	l ₁	d ₂	h ₁	h ₂	h ₃	A/F	Load kN max.
P2200.100-24-225	M24	225	100	272	44	20.0	20	55
P2200.100-24-250	M24	250	100	297	44	20.0	20	55
P2200.120-30-125	M30	125	120	175	47	23.0	26	65
P2200.120-30-150	M30	150	120	200	47	23.0	26	65
P2200.120-30-175	M30	175	120	225	47	23.0	26	65
P2200.120-30-200	M30	200	120	250	47	23.0	26	65
P2200.120-30-225	M30	225	120	275	47	23.0	26	65
P2200.120-30-250	M30	250	120	300	47	23.0	26	65

LEVELLING FEET

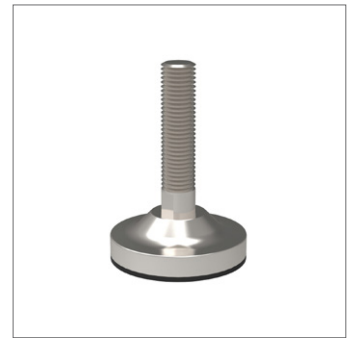
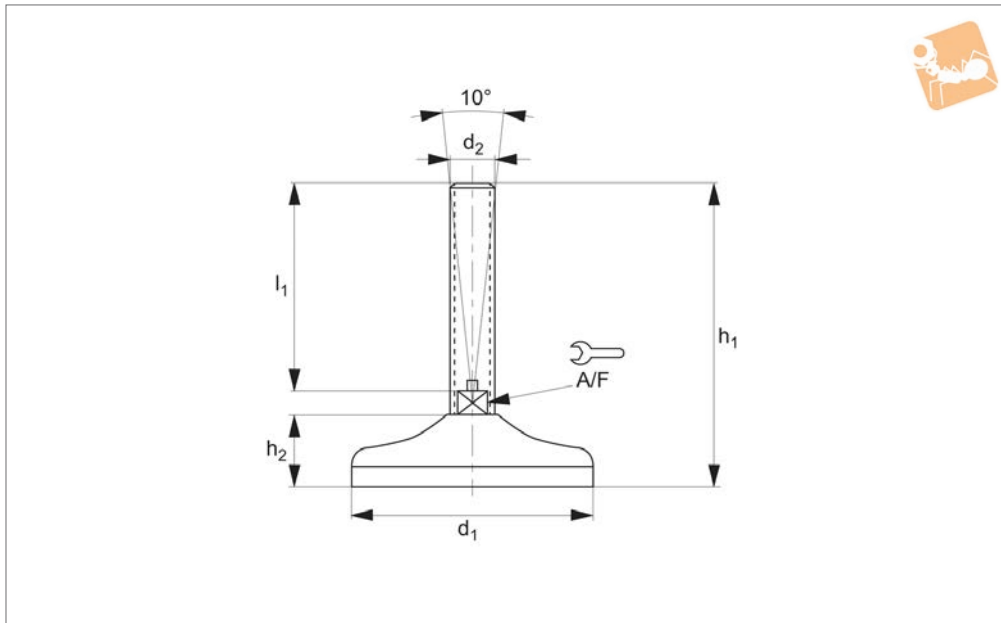


Stainless Levelling Feet

fixed feet



Levelling Feet



P2201

LEVELLING FEET

Material

Stainless steel (AISI 304), with rubber pad (70 Shore A).

Stainless steel (AISI 316) version available

on request.

half the screw height.

Technical Notes

Load values refer to static loads, located at

Order No.	d ₁	l	d ₂	h ₁	h ₂	A/F	Load N max.
P2201.050-10-050	50	50	M10	79	19	14	400
P2201.050-10-075	50	75	M10	104	19	14	400
P2201.050-10-100	50	100	M10	129	19	14	400
P2201.050-10-125	50	125	M10	154	19	14	400
P2201.050-12-050	50	50	M12	79	19	14	400
P2201.050-12-075	50	75	M12	104	19	14	400
P2201.050-12-100	50	100	M12	129	19	14	400
P2201.050-12-125	50	125	M12	154	19	14	400
P2201.050-14-075	50	75	M14	104	19	14	400
P2201.050-14-100	50	100	M14	129	19	14	400
P2201.050-14-125	50	125	M14	154	19	14	400
P2201.050-14-150	50	150	M14	179	19	14	400
P2201.050-16-075	50	75	M16	109	19	13	400
P2201.050-16-100	50	100	M16	134	19	13	400
P2201.050-16-125	50	125	M16	159	19	13	400
P2201.050-16-150	50	150	M16	184	19	13	400
P2201.080-10-050	80	50	M10	85	25	14	1000
P2201.080-10-075	80	75	M10	110	25	14	1000
P2201.080-10-100	80	100	M10	135	25	14	1000
P2201.080-10-125	80	125	M10	160	25	14	1000
P2201.080-12-050	80	50	M12	85	25	14	1000
P2201.080-12-075	80	75	M12	110	25	14	1000
P2201.080-12-100	80	100	M12	135	25	14	1000
P2201.080-12-125	80	125	M12	160	25	14	1000
P2201.080-12-150	80	150	M12	185	25	14	1000
P2201.080-14-075	80	75	M14	110	25	14	1000
P2201.080-14-100	80	100	M14	135	25	14	1000
P2201.080-14-125	80	125	M14	160	25	14	1000
P2201.080-14-150	80	150	M14	185	25	14	1000
P2201.080-14-175	80	175	M14	210	25	14	1000
P2201.080-16-075	80	75	M16	110	25	13	1000
P2201.080-16-100	80	100	M16	135	25	13	1000
P2201.080-16-125	80	125	M16	160	25	13	1000



LEVELLING FEET

Order No.	d ₁	l	d ₂	h ₁	h ₂	A/F	Load N max.
P2201.080-16-150	80	150	M16	185	25	13	1000
P2201.080-16-175	80	175	M16	210	25	13	1000
P2201.080-20-075	80	75	M20	113	25	17	1000
P2201.080-20-100	80	100	M20	138	25	17	1000
P2201.080-20-125	80	125	M20	163	25	17	1000
P2201.080-20-150	80	150	M20	188	25	17	1000
P2201.080-20-175	80	175	M20	213	25	17	1000
P2201.080-20-200	80	200	M20	238	25	17	1000
P2201.080-20-225	80	225	M20	260	25	17	1000
P2201.080-24-075	80	75	M24	115	25	20	1000
P2201.080-24-100	80	100	M24	140	25	20	1000
P2201.080-24-125	80	125	M24	165	25	20	1000
P2201.080-24-150	80	150	M24	190	25	20	1000
P2201.080-24-175	80	175	M24	215	25	20	1000
P2201.080-24-200	80	200	M24	240	25	20	1000
P2201.080-24-225	80	225	M24	265	25	20	1000
P2201.100-16-075	100	75	M16	114.5	30	13	1500
P2201.100-16-100	100	100	M16	139.5	30	13	1500
P2201.100-16-125	100	125	M16	164.5	30	13	1500
P2201.100-16-150	100	150	M16	189.5	30	13	1500
P2201.100-16-175	100	175	M16	214.5	30	13	1500
P2201.100-16-200	100	200	M16	239.5	30	13	1500
P2201.100-20-075	100	75	M20	118	30	17	1500
P2201.100-20-100	100	100	M20	143	30	17	1500
P2201.100-20-125	100	125	M20	168	30	17	1500
P2201.100-20-150	100	150	M20	193	30	17	1500
P2201.100-20-175	100	175	M20	218	30	17	1500
P2201.100-20-200	100	200	M20	243	30	17	1500
P2201.100-20-225	100	225	M20	268	30	17	1500
P2201.100-20-250	100	250	M20	293	30	17	1500
P2201.100-24-100	100	100	M24	144	30	20	1500
P2201.100-24-125	100	125	M24	169	30	20	1500
P2201.100-24-150	100	150	M24	194	30	20	1500
P2201.100-24-175	100	175	M24	219	30	20	1500
P2201.100-24-200	100	200	M24	244	30	20	1500
P2201.100-24-225	100	225	M24	269	30	20	1500
P2201.100-24-250	100	250	M24	294	30	20	1500
P2201.100-30-100	100	100	M30	144	30	26	1500
P2201.100-30-125	100	125	M30	169	30	26	1500
P2201.100-30-150	100	150	M30	194	30	26	1500
P2201.100-30-175	100	175	M30	219	30	26	1500
P2201.100-30-200	100	200	M30	244	30	26	1500
P2201.100-30-225	100	225	M30	269	30	26	1500
P2201.100-30-250	100	250	M30	294	30	26	1500
P2201.120-16-075	120	75	M16	122	32	13	3000
P2201.120-16-100	120	100	M16	147	32	13	3000
P2201.120-16-125	120	125	M16	172	32	13	3000
P2201.120-16-150	120	150	M16	197	32	13	3000
P2201.120-16-175	120	175	M16	222	32	13	3000
P2201.120-16-200	120	200	M16	247	32	13	3000
P2201.120-20-075	120	75	M20	122	32	17	3000
P2201.120-20-100	120	100	M20	147	32	17	3000
P2201.120-20-125	120	125	M20	172	32	17	3000
P2201.120-20-150	120	150	M20	197	32	17	3000
P2201.120-20-175	120	175	M20	222	32	17	3000
P2201.120-20-200	120	200	M20	247	32	17	3000
P2201.120-20-225	120	225	M20	272	32	17	3000
P2201.120-20-250	120	250	M20	297	32	17	3000
P2201.120-24-100	120	100	M24	147	32	20	3000
P2201.120-24-125	120	125	M24	172	32	20	3000
P2201.120-24-150	120	150	M24	197	32	20	3000
P2201.120-24-175	120	175	M24	222	32	20	3000
P2201.120-24-200	120	200	M24	247	32	20	3000
P2201.120-24-225	120	225	M24	272	32	20	3000
P2201.120-24-250	120	250	M24	297	32	20	3000
P2201.120-30-100	120	100	M30	149	32	26	3000
P2201.120-30-125	120	125	M30	174	32	26	3000



Stainless Levelling Feet

fixed feet



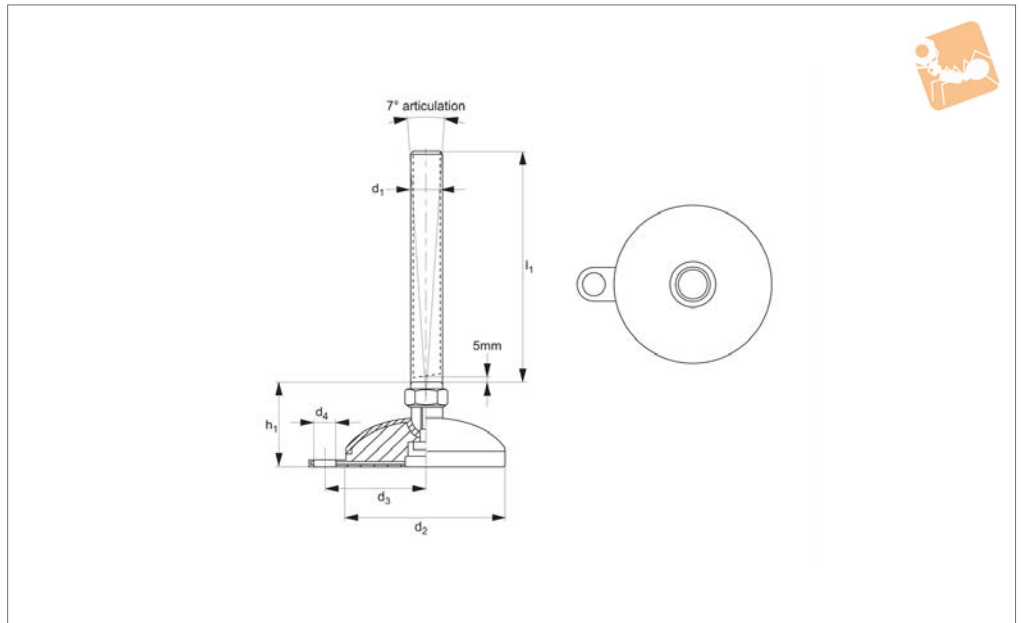
Levelling Feet

Order No.	d ₁	l	d ₂	h ₁	h ₂	A/F	Load N max.
P2201.120-30-150	120	150	M30	199	32	26	3000
P2201.120-30-175	120	175	M30	224	32	26	3000
P2201.120-30-200	120	200	M30	249	32	26	3000
P2201.120-30-225	120	225	M30	274	32	26	3000
P2201.120-30-250	120	250	M30	299	32	26	3000

LEVELLING FEET



P2202



Material

Pad: pressed stainless steel AISI 303.
Bolt: stainless steel AISI 303.
Pad insert: nitril rubber.

Technical Notes

Use of the bolt down tag allows the

machine mount to be fixed in place.

Tips

For use in wide range of industries including food processing, medical equipment, electronics and machinery workshops.

Order No.	d ₁	l ₁	d ₂	d ₃	d ₄	h ₁	Static load kN max.
P1954.663	M16	150	75	52	13	33	7.5
P1954.665	M16	100	100	67	13	38	10.0

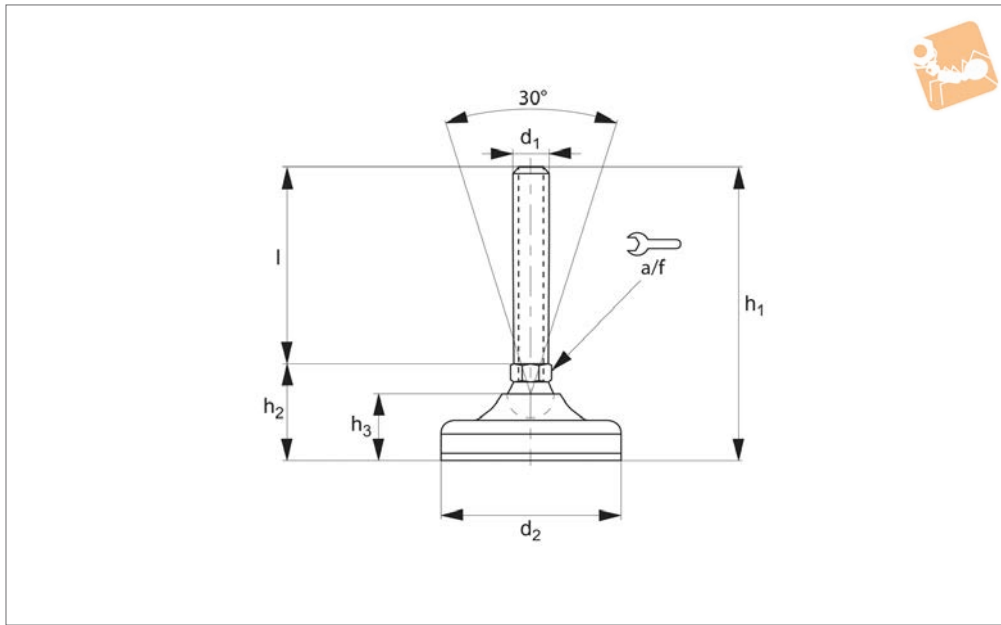


Levelling Feet

bolt stainless steel



Levelling Feet



P2203.1

LEVELLING FEET

Material

Pad: polyamide reinforced by fibre glass with anti-slip pad.
Bolt: stainless steel AISI 304.

Technical Notes

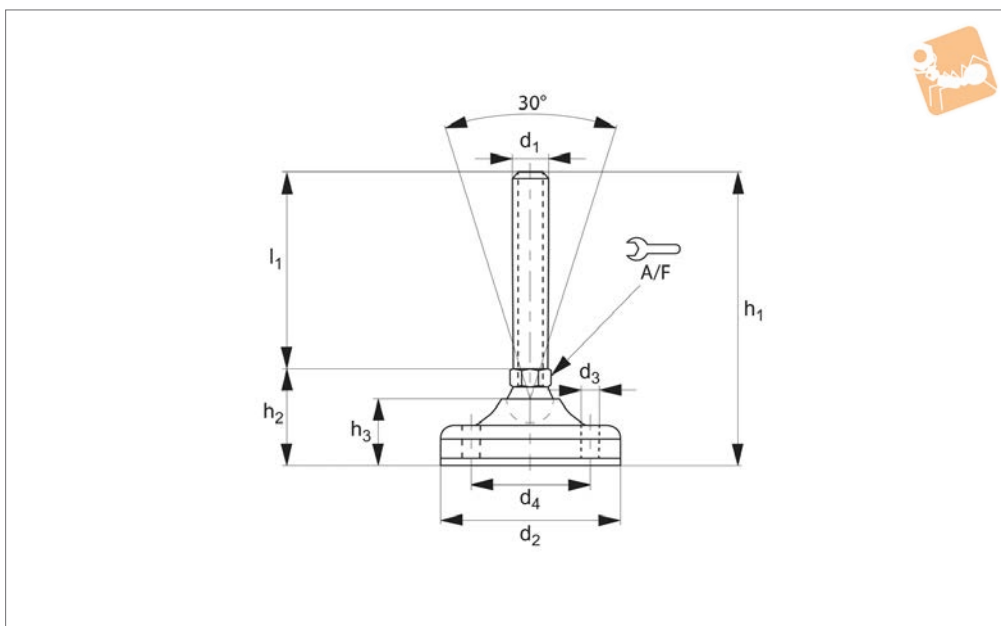
Load values refer to static loads, located at half the screw height.
When vibrations or dynamic loads are

present these values should be reduced.

Order No.	d ₁	d ₂	l	h ₁	h ₂	h ₃	A/F	Load kN max.
P2203.040-08-050	M 8	40	50	80	30	19.5	12	10
P2203.040-08-100	M 8	40	100	130	30	19.5	12	10
P2203.065-10-075	M10	65	75	111	36	26.0	14	11
P2203.065-10-100	M10	65	100	136	36	26.0	14	11
P2203.065-10-125	M10	65	125	161	36	26.0	14	11
P2203.065-12-050	M12	65	50	86	36	26.0	14	11
P2203.065-12-075	M12	65	75	111	36	26.0	14	11
P2203.065-12-100	M12	65	100	136	36	26.0	14	11
P2203.065-14-050	M14	65	50	86	36	26.0	14	15
P2203.065-14-075	M14	65	75	111	36	26.0	14	15
P2203.065-14-100	M14	65	100	136	36	26.0	14	15
P2203.065-14-125	M14	65	125	161	36	26.0	14	15
P2203.065-14-150	M14	65	150	186	36	26.0	14	15
P2203.065-14-175	M14	65	175	211	36	26.0	14	15
P2203.065-16-050	M16	65	50	90	40	26.0	13	15
P2203.065-16-075	M16	65	75	115	40	26.0	13	15
P2203.065-16-100	M16	65	100	140	40	26.0	13	15
P2203.065-16-125	M16	65	125	165	40	26.0	13	15
P2203.065-16-150	M16	65	150	190	40	26.0	13	15
P2203.065-16-175	M16	65	175	215	40	26.0	13	15
P2203.065-16-200	M16	65	200	240	40	26.0	13	15
P2203.065-20-050	M20	65	50	90	40	26.0	17	15
P2203.065-20-075	M20	65	75	115	40	26.0	17	15
P2203.065-20-100	M20	65	100	140	40	26.0	17	15
P2203.065-20-125	M20	65	125	165	40	26.0	17	15
P2203.065-20-150	M20	65	150	190	40	26.0	17	15
P2203.065-20-175	M20	65	175	215	40	26.0	17	15
P2203.065-20-200	M20	65	200	240	40	26.0	17	15



P2203.2



Material

Pad: polyamide reinforced by fibre glass with anti-slip pad.

Bolt: stainless steel AISI 304.

Technical Notes

Load values refer to static loads, located at half the screw height.

When vibrations or dynamic loads are

present these values should be reduced.

Larger pad size allows for bolt down holes to be drilled through.

Order No.	d ₁	l ₁	d ₂	d ₃	d ₄	h ₁	h ₂	h ₃	A/F	Load kN max.
P2203.083-10-050	M10	50	83	8.5	55	91	38	27	14	15
P2203.083-10-075	M10	75	83	8.5	55	116	38	27	14	15
P2203.083-10-100	M10	100	83	8.5	55	141	38	27	14	15
P2203.083-10-125	M10	125	83	8.5	55	166	38	27	14	15
P2203.083-12-050	M12	50	83	8.5	55	91	38	27	14	15
P2203.083-12-075	M12	75	83	8.5	55	116	38	27	14	15
P2203.083-12-100	M12	100	83	8.5	55	141	38	27	14	15
P2203.083-12-125	M12	125	83	8.5	55	166	38	27	14	15
P2203.083-14-050	M14	50	83	8.5	55	91	38	27	14	20
P2203.083-14-075	M14	75	83	8.5	55	116	38	27	14	20
P2203.083-14-100	M14	100	83	8.5	55	141	38	27	14	20
P2203.083-14-125	M14	125	83	8.5	55	166	38	27	14	20
P2203.083-14-150	M14	150	83	8.5	55	191	38	27	14	20
P2203.083-14-175	M14	175	83	8.5	55	216	38	27	14	20
P2203.083-16-050	M16	50	83	8.5	55	94	41	27	13	20
P2203.083-16-075	M16	75	83	8.5	55	119	41	27	13	20
P2203.083-16-100	M16	100	83	8.5	55	144	41	27	13	20
P2203.083-16-125	M16	125	83	8.5	55	169	41	27	13	20
P2203.083-16-150	M16	150	83	8.5	55	194	41	27	13	20
P2203.083-16-175	M16	175	83	8.5	55	219	41	27	13	20
P2203.083-16-200	M16	200	83	8.5	55	244	41	27	13	20
P2203.103-16-050	M16	50	103	12.5	73	104	51	32	20	25
P2203.103-16-075	M16	75	103	12.5	73	129	51	32	20	25
P2203.103-16-100	M16	100	103	12.5	73	154	51	32	20	25
P2203.103-16-125	M16	125	103	12.5	73	179	51	32	20	25
P2203.103-16-150	M16	150	103	12.5	73	204	51	32	20	25
P2203.103-16-175	M16	175	103	12.5	73	229	51	32	20	25
P2203.103-16-200	M16	200	103	12.5	73	254	51	32	20	25
P2203.103-16-225	M16	225	103	12.5	73	279	51	32	20	25
P2203.083-20-075	M20	75	83	8.5	55	119	41	27	17	20
P2203.083-20-100	M20	100	83	8.5	55	144	41	27	17	20
P2203.083-20-125	M20	125	83	8.5	55	169	41	27	17	20
P2203.083-20-150	M20	150	83	8.5	55	194	41	27	17	20



Levelling Feet

bolt down option, bolt **stainless steel**



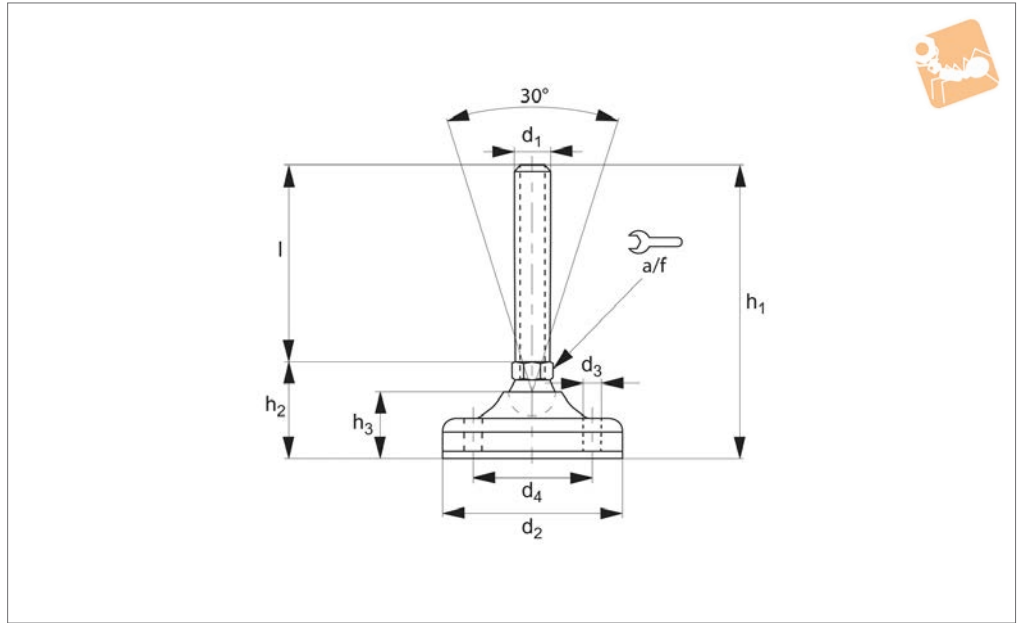
Levelling Feet

Order No.	d ₁	l ₁	d ₂	d ₃	d ₄	h ₁	h ₂	h ₃	A/F	Load kN max.
P2203.083-20-175	M20	175	83	8.5	55	219	41	27	17	20
P2203.083-20-200	M20	200	83	8.5	55	244	41	27	17	20
P2203.083-20-225	M20	225	83	8.5	55	269	41	27	17	20
P2203.103-20-100	M20	100	103	12.5	73	154	51	32	20	25
P2203.103-20-125	M20	125	103	12.5	73	179	51	32	20	25
P2203.103-20-150	M20	150	103	12.5	73	204	51	32	20	25
P2203.103-20-175	M20	175	103	12.5	73	229	51	32	20	25
P2203.103-20-200	M20	200	103	12.5	73	254	51	32	20	25
P2203.103-20-225	M20	225	103	12.5	73	279	51	32	20	25
P2203.103-24-075	M24	75	103	12.5	73	129	51	32	20	25
P2203.103-24-100	M24	100	103	12.5	73	154	51	32	20	25
P2203.103-24-125	M24	125	103	12.5	73	179	51	32	20	25
P2203.103-24-150	M24	150	103	12.5	73	204	51	32	20	25
P2203.103-24-175	M24	175	103	12.5	73	229	51	32	20	25
P2203.103-24-200	M24	200	103	12.5	73	280	51	32	20	25
P2203.103-24-225	M24	250	103	12.5	73	302	51	32	20	25

LEVELLING FEET



P2203.3



Material

Pad: polyamide reinforced by fibre glass with anti-slip pad.
 Bolt: stainless steel AISI 304.

Technical Notes

Load values refer to static loads, located at half the screw height.
 When vibrations or dynamic loads are

present these values should be reduced.
 Larger pad size allows for bolt down holes to be drilled through.

Order No.	d ₁	d ₂	l	d ₃	d ₄	h ₁	h ₂	h ₃	A/F	Load kN max.
P2203.123-16-050	M16	123	50	12.5	87	110	60	40	20	35
P2203.123-16-075	M16	123	75	12.5	87	135	60	40	20	35
P2203.123-16-100	M16	123	100	12.5	87	160	60	40	20	35
P2203.123-16-125	M16	123	125	12.5	87	185	60	40	20	35
P2203.123-16-150	M16	123	150	12.5	87	210	60	40	20	35
P2203.123-16-175	M16	123	175	12.5	87	235	60	40	20	35
P2203.123-16-200	M16	123	200	12.5	87	260	60	40	20	35
P2203.123-16-225	M16	123	225	12.5	87	285	60	40	20	35
P2203.123-20-075	M20	123	75	12.5	87	135	60	40	20	35
P2203.123-20-100	M20	123	100	12.5	87	160	60	40	20	35
P2203.123-20-125	M20	123	125	12.5	87	185	60	40	20	35
P2203.123-20-150	M20	123	150	12.5	87	210	60	40	20	35
P2203.123-20-175	M20	123	175	12.5	87	235	60	40	20	35
P2203.123-20-200	M20	123	200	12.5	87	260	60	40	20	35
P2203.123-20-225	M20	123	225	12.5	87	285	60	40	20	35
P2203.123-20-250	M20	123	250	12.5	87	310	60	40	20	35
P2203.123-24-075	M24	123	75	12.5	87	135	60	40	20	35
P2203.123-24-100	M24	123	100	12.5	87	160	60	40	20	35
P2203.123-24-125	M24	123	125	12.5	87	185	60	40	20	35
P2203.123-24-150	M24	123	150	12.5	87	210	60	40	20	35
P2203.123-24-175	M24	123	175	12.5	87	235	60	40	20	35
P2203.123-24-200	M24	123	200	12.5	87	260	60	40	20	35
P2203.123-24-225	M24	123	225	12.5	87	285	60	40	20	35
P2203.123-24-250	M24	123	250	12.5	87	310	60	40	20	35
P2203.123-30-100	M30	123	100	12.5	87	161	61	40	26	35
P2203.123-30-125	M30	123	125	12.5	87	186	61	40	26	35
P2203.123-30-150	M30	123	150	12.5	87	211	61	40	26	35
P2203.123-30-175	M30	123	175	12.5	87	236	61	40	26	35
P2203.123-30-200	M30	123	200	12.5	87	261	61	40	26	35
P2203.123-30-225	M30	123	225	12.5	87	286	61	40	26	35
P2203.123-30-250	M30	123	250	12.5	87	311	61	40	26	35

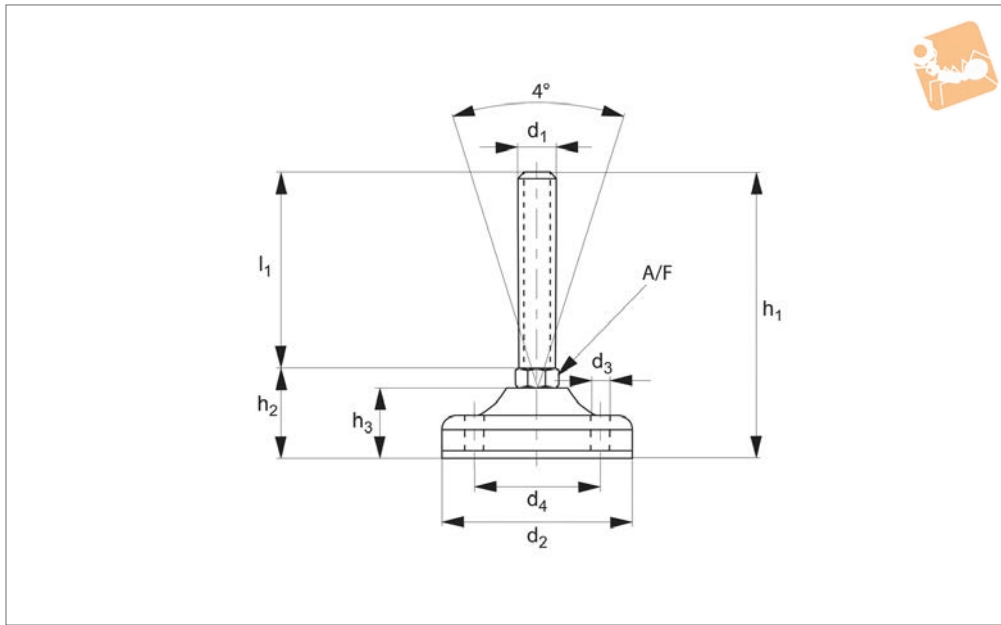


Machine Mount

plastic pad, bolt black polyamide bolt down option



Levelling Feet



P2204.2

LEVELLING FEET

Material

Pad: black polyamide.
Bolt: stainless steel AISI 303.

Pad insert: nitril rubber.

half the screw height.

Technical Notes

Load values refer to static loads, located at

Order No.	d ₁	l ₁	d ₂	d ₃	d ₄	h ₁	h ₂	h ₃	A/F	Load kN max.
P2204.083-10-050	M10	50	83	8.5	56	89	39	31	14	15
P2204.083-10-075	M10	75	83	8.5	56	114	39	31	14	15
P2204.083-10-100	M10	100	83	8.5	56	139	39	31	14	15
P2204.083-10-125	M10	125	83	8.5	56	164	39	31	14	15
P2204.083-12-050	M12	50	83	8.5	56	89	39	31	14	15
P2204.083-12-075	M12	75	83	8.5	56	114	39	31	14	15
P2204.083-12-100	M12	100	83	8.5	56	139	39	31	14	15
P2204.083-14-050	M14	50	83	8.5	56	89	39	31	14	20
P2204.083-14-075	M14	75	83	8.5	56	114	39	31	14	20
P2204.083-14-100	M14	100	83	8.5	56	139	39	31	14	20
P2204.083-14-125	M14	125	83	8.5	56	164	39	31	14	20
P2204.083-14-150	M14	150	83	8.5	56	189	39	31	14	20
P2204.083-14-175	M14	175	83	8.5	56	215	39	31	14	20
P2204.083-16-050	M16	50	83	8.5	56	93	43	31	13	20
P2204.083-16-075	M16	75	83	8.5	56	118	43	31	13	20
P2204.083-16-100	M16	100	83	8.5	56	143	43	31	13	20
P2204.083-16-125	M16	125	83	8.5	56	168	43	31	13	20
P2204.083-16-150	M16	150	83	8.5	56	193	43	31	13	20
P2204.083-16-175	M16	175	83	8.5	56	218	43	31	13	20
P2204.083-16-200	M16	200	83	8.5	56	243	43	31	13	20
P2204.103-16-050	M16	50	103	12.5	73	98	48	36	17	35
P2204.103-16-075	M16	75	103	12.5	73	123	48	36	17	35
P2204.103-16-100	M16	100	103	12.5	73	148	48	36	17	35
P2204.103-16-125	M16	125	103	12.5	73	173	48	36	17	35
P2204.103-16-150	M16	150	103	12.5	73	198	48	36	17	35
P2204.103-16-175	M16	175	103	12.5	73	223	48	36	17	35
P2204.103-16-200	M16	200	103	12.5	73	248	48	36	17	35
P2204.103-16-225	M16	225	103	12.5	73	273	48	36	17	35
P2204.123-16-050	M16	50	123	12.5	87	103	53	40	20	45
P2204.123-16-075	M16	75	123	12.5	87	128	53	40	20	45
P2204.123-16-100	M16	100	123	12.5	87	153	53	40	20	45
P2204.123-16-125	M16	125	123	12.5	87	178	53	40	20	45
P2204.123-16-150	M16	150	123	12.5	87	203	53	40	20	45
P2204.123-16-175	M16	175	123	12.5	87	228	53	40	20	45



LEVELLING FEET

Order No.	d ₁	l ₁	d ₂	d ₃	d ₄	h ₁	h ₂	h ₃	A/F	Load kN max.
P2204.123-16-200	M16	200	123	12.5	87	253	53	40	20	45
P2204.123-16-225	M16	225	123	12.5	87	278	53	40	20	45
P2204.083-20-075	M20	75	83	8.5	56	118	43	34	17	20
P2204.083-20-100	M20	100	83	8.5	56	143	43	34	17	20
P2204.083-20-125	M20	125	83	8.5	56	168	43	34	17	20
P2204.083-20-150	M20	150	83	8.5	56	193	43	34	17	20
P2204.083-20-175	M20	175	83	8.5	56	218	43	34	17	20
P2204.083-20-200	M20	200	83	8.5	56	243	43	34	17	20
P2204.083-20-225	M20	225	83	8.5	56	268	43	34	17	20
P2204.103-20-075	M20	75	103	12.5	73	123	48	36	17	35
P2204.103-20-100	M20	100	103	12.5	73	148	48	36	17	35
P2204.103-20-125	M20	125	103	12.5	73	173	48	36	17	35
P2204.103-20-150	M20	150	103	12.5	73	198	48	36	17	35
P2204.103-20-175	M20	175	103	12.5	73	223	48	36	17	35
P2204.103-20-200	M20	200	103	12.5	73	248	48	36	17	35
P2204.103-20-225	M20	225	103	12.5	73	273	48	36	17	35
P2204.123-20-075	M20	75	123	12.5	87	128	53	40	20	45
P2204.123-20-100	M20	100	123	12.5	87	153	53	40	20	45
P2204.123-20-125	M20	125	123	12.5	87	178	53	40	20	45
P2204.123-20-150	M20	150	123	12.5	87	203	53	40	20	45
P2204.123-20-175	M20	175	123	12.5	87	228	53	40	20	45
P2204.123-20-200	M20	200	123	12.5	87	253	53	40	20	45
P2204.123-20-225	M20	225	123	12.5	87	278	53	40	20	45
P2204.103-24-075	M24	75	103	12.5	73	125	50	36	20	35
P2204.103-24-100	M24	100	103	12.5	73	150	50	36	20	35
P2204.103-24-125	M24	125	103	12.5	73	175	50	36	20	35
P2204.103-24-150	M24	150	103	12.5	73	200	50	36	20	35
P2204.103-24-175	M24	175	103	12.5	73	225	50	36	20	35
P2204.103-24-200	M24	200	103	12.5	73	250	50	36	20	35
P2204.103-24-225	M24	225	103	12.5	73	275	50	36	20	35
P2204.123-24-075	M24	75	123	12.5	87	128	53	40	20	45
P2204.123-24-100	M24	100	123	12.5	87	153	53	40	20	45
P2204.123-24-125	M24	125	123	12.5	87	178	53	40	20	45
P2204.123-24-150	M24	150	123	12.5	87	203	53	40	20	45
P2204.123-24-175	M24	175	123	12.5	87	228	53	40	20	45
P2204.123-24-200	M24	200	123	12.5	87	253	53	40	20	45
P2204.123-24-225	M24	225	123	12.5	87	278	53	40	20	45
P2204.123-24-250	M24	250	123	12.5	87	303	53	40	20	45
P2204.123-30-100	M30	100	123	12.5	87	153	53	40	26	45
P2204.123-30-125	M30	125	123	12.5	87	178	53	40	26	45
P2204.123-30-150	M30	150	123	12.5	87	203	53	40	26	45
P2204.123-30-175	M30	175	123	12.5	87	228	53	40	26	45
P2204.123-30-200	M30	200	123	12.5	87	253	53	40	26	45
P2204.123-30-225	M30	225	123	12.5	87	278	53	40	26	45
P2204.123-30-250	M30	250	123	12.5	87	303	53	40	26	45

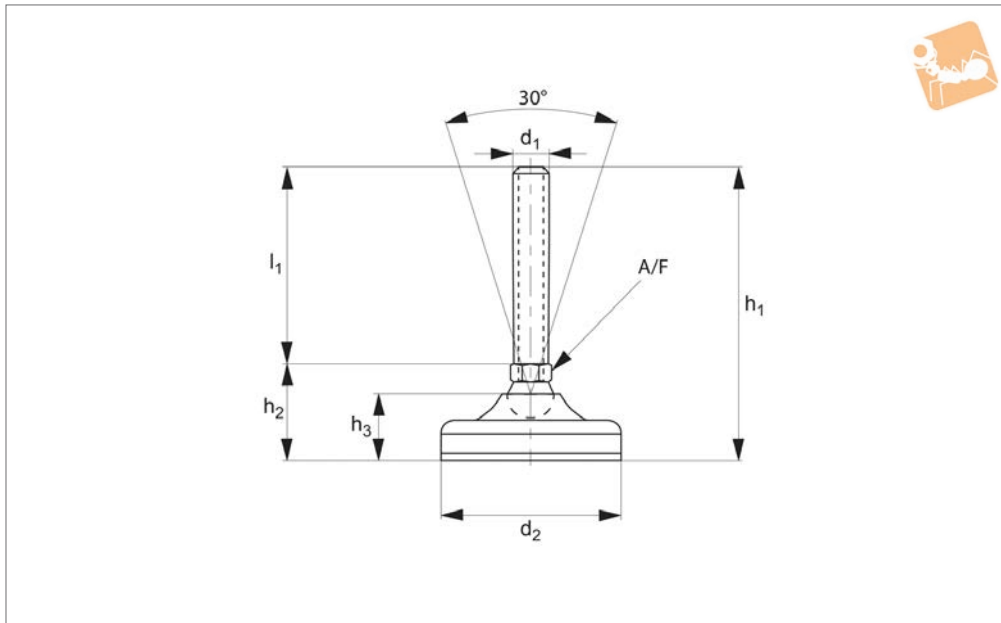


Levelling Feet

plastic pad, bolt steel



Levelling Feet



P2205.1

LEVELLING FEET

Material

Pad: polyamide reinforced by fibre glass with anti-slip pad.
Bolt: galvanized steel (C40)

Technical Notes

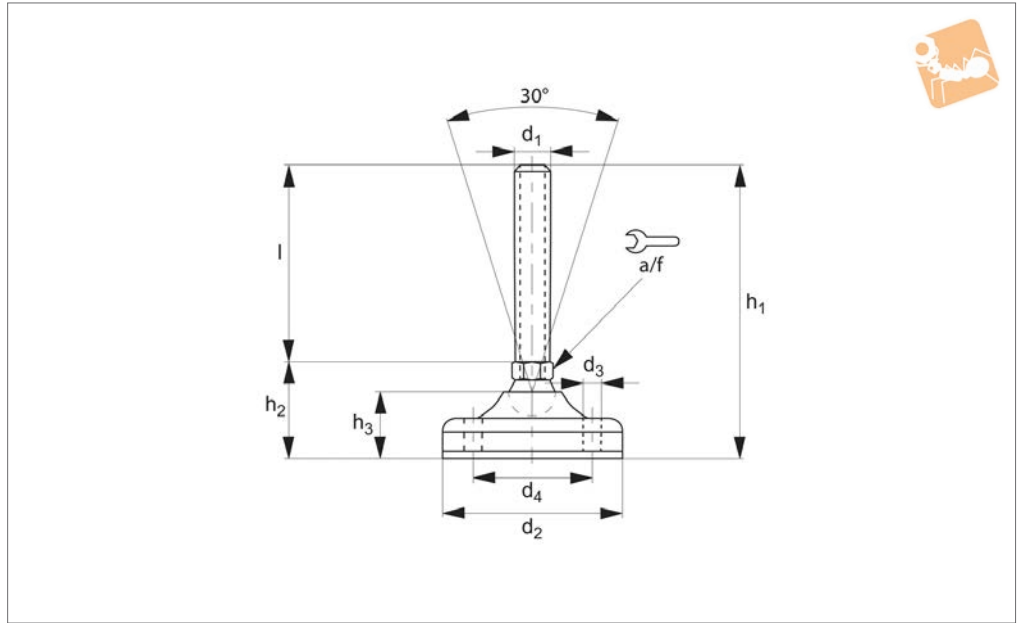
Load values refer to static loads, located at half the screw height.
When vibrations or dynamic loads are

present these values should be reduced.

Order No.	d ₁	d ₂	h ₁	h ₂	h ₃	l ₁	A/F	Load kN max.
P2205.040-08-025	M 8	40	55	30	19.5	25	12	10
P2205.040-08-050	M 8	40	80	30	19.5	50	12	10
P2205.040-08-075	M 8	40	105	30	19.5	75	12	10
P2205.040-08-100	M 8	40	130	30	19.5	100	12	10
P2205.065-10-050	M10	65	86	36	26.0	50	14	11
P2205.065-10-075	M10	65	111	36	26.0	75	14	11
P2205.065-10-100	M10	65	136	36	26.0	100	14	11
P2205.065-12-050	M12	65	86	36	26.0	50	14	11
P2205.065-12-075	M12	65	111	36	26.0	75	14	11
P2205.065-12-125	M12	65	161	36	26.0	125	14	11
P2205.065-14-050	M14	65	86	36	26.0	50	14	15
P2205.065-14-075	M14	65	111	36	26.0	75	14	15
P2205.065-14-100	M14	65	136	36	26.0	100	14	15
P2205.065-14-125	M14	65	161	36	26.0	125	14	15
P2205.065-14-150	M14	65	186	36	26.0	150	14	15
P2205.065-14-175	M14	65	211	36	26.0	175	14	15
P2205.065-16-050	M16	65	86	36	26.0	50	16	15
P2205.065-16-075	M16	65	111	36	26.0	75	16	15
P2205.065-16-125	M16	65	161	36	26.0	125	16	15
P2205.065-16-150	M16	65	186	36	26.0	150	16@	15
P2205.065-16-175	M16	65	211	36	26.0	175	16@	15
P2205.065-16-200	M16	65	236	36	26.0	200	16@	15
P2205.065-20-075	M20	65	115	40	26.0	75	17	15
P2205.065-20-100	M20	65	140	40	26.0	100	17	15
P2205.065-20-125	M20	65	165	40	26.0	125	17	15
P2205.065-20-150	M20	65	190	40	26.0	150	17	15
P2205.065-20-175	M20	65	215	40	26.0	175	17	15
P2205.065-20-200	M20	65	240	40	26.0	200	17	15



P2205.2



Material

Pad: polyamide reinforced by fibre glass with anti-slip pad.
Bolt: steel (C40)

Technical Notes

Load values refer to static loads, located at half the screw height.
When vibrations or dynamic loads are

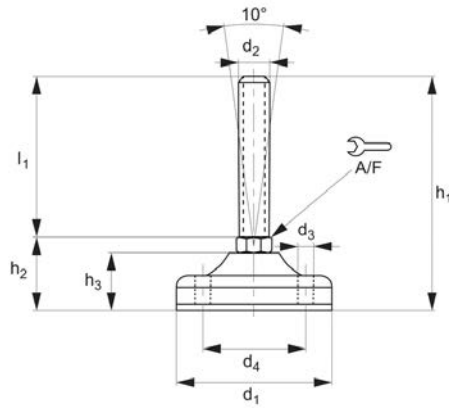
present these values should be reduced.

Order No.	d ₁	d ₂	d ₃	d ₄	l	h ₁	h ₂	h ₃	A/F	Load kN max.
P2205.083-10-050	M10	83	8.5	55	50	91	41	30	14	15
P2205.083-10-075	M10	83	8.5	55	75	116	41	30	14	15
P2205.083-10-100	M10	83	8.5	55	100	141	41	30	14	15
P2205.083-10-125	M10	83	8.5	55	125	166	41	30	14	15
P2205.083-12-050	M12	83	8.5	55	50	91	41	30	14	15
P2205.083-12-075	M12	83	8.5	55	75	116	41	30	14	15
P2205.083-12-100	M12	83	8.5	55	100	141	41	30	14	15
P2205.083-12-125	M12	83	8.5	55	125	161	41	30	14	15
P2205.083-14-050	M14	83	8.5	55	50	91	41	30	14	20
P2205.083-14-075	M14	83	8.5	55	75	116	41	30	14	20
P2205.083-14-100	M14	83	8.5	55	100	141	41	30	14	20
P2205.083-14-125	M14	83	8.5	55	125	166	41	30	14	20
P2205.083-14-150	M14	83	8.5	55	150	191	41	30	14	20
P2205.083-14-175	M14	83	8.5	55	175	216	41	30	14	20
P2205.083-16-050	M16	83	8.5	55	50	91	41	30	16	20
P2205.083-16-075	M16	83	8.5	55	75	116	41	30	16	20
P2205.083-16-100	M16	83	8.5	55	100	141	41	30	16	20
P2205.083-16-125	M16	83	8.5	55	125	166	41	30	16	20
P2205.083-16-150	M16	83	8.5	55	150	191	41	30	16	20
P2205.083-16-175	M16	83	8.5	55	175	216	41	30	16	20
P2205.083-16-200	M16	83	8.5	55	200	241	41	30	16	20
P2205.083-20-075	M20	83	8.5	55	75	119	44	30@	17	20
P2205.083-20-100	M20	83	8.5	55	100	144	44	30	17	20
P2205.083-20-125	M20	83	8.5	55	125	169	44	30	17	20
P2205.083-20-150	M20	83	8.5	55	150	194	44	30	17	20
P2205.083-20-175	M20	83	8.5	55	175	219	44	30	17	20
P2205.083-20-200	M20	83	8.5	55	200	244	44	30	17	20
P2205.083-20-225	M20	83	8.5	55	225	269	44	30	17	20

Plastic Levelling Feet

steel stud

Levelling Feet



P2206

LEVELLING FEET

Material

Black plastic base (reinforced with fibre glass), with steel (C40) stud.

Technical Notes

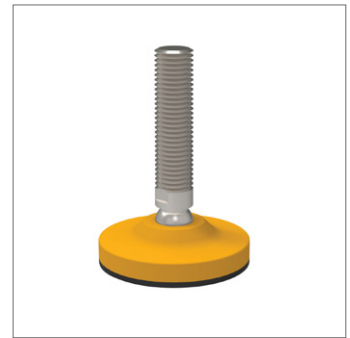
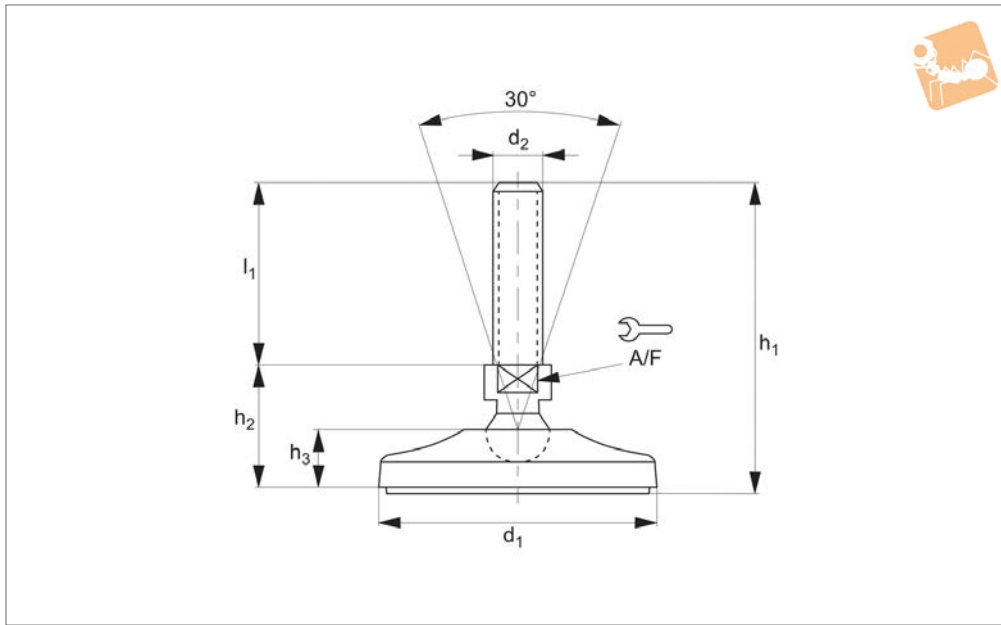
Load values refer to static loads, located at half the screw height.

Order No.	d ₁	d ₂	d ₃	d ₄	l	h ₁	h ₂	h ₃	A/F
P2206.083-10-050	83	M10	8.5	56	50	89	39	31	16
P2206.083-10-075	83	M10	8.5	56	75	114	39	31	16
P2206.083-10-100	83	M10	8.5	56	100	139	39	31	16
P2206.083-10-125	83	M10	8.5	56	125	164	39	31	16
P2206.083-12-050	83	M12	8.5	56	50	89	39	31	16
P2206.083-12-075	83	M12	8.5	56	75	114	39	31	16
P2206.083-12-100	83	M12	8.5	56	100	139	39	31	16
P2206.083-12-125	83	M12	8.5	56	125	164	39	31	16
P2206.083-14-050	83	M14	8.5	56	50	89	39	31	16
P2206.083-14-075	83	M14	8.5	56	75	114	39	31	16
P2206.083-14-100	83	M14	8.5	56	100	139	39	31	16
P2206.083-14-125	83	M14	8.5	56	125	164	39	31	16
P2206.083-14-150	83	M14	8.5	56	150	189	39	31	16
P2206.083-14-175	83	M14	8.5	56	175	215	39	31	16
P2206.083-16-050	83	M16	8.5	56	50	89	39	31	16
P2206.083-16-075	83	M16	8.5	56	75	114	39	31	16
P2206.083-16-100	83	M16	8.5	56	100	139	39	31	16
P2206.083-16-125	83	M16	8.5	56	125	164	39	31	16
P2206.083-16-150	83	M16	8.5	56	150	189	39	31	16
P2206.083-16-175	83	M16	8.5	56	175	214	39	31	16
P2206.083-16-200	83	M16	8.5	56	200	239	39	31	16
P2206.083-20-075	83	M20	8.5	56	75	118	43	31	17
P2206.083-20-100	83	M20	8.5	56	100	143	43	31	17
P2206.083-20-125	83	M20	8.5	56	125	168	43	31	17
P2206.083-20-150	83	M20	8.5	56	150	193	43	31	17
P2206.083-20-175	83	M20	8.5	56	175	218	43	31	17
P2206.083-20-200	83	M20	8.5	56	200	243	43	31	17
P2206.083-20-225	83	M20	8.5	56	225	268	43	31	17
P2206.103-16-050	103	M16	12.5	73	50	98	48	36	17
P2206.103-16-075	103	M16	12.5	73	75	123	48	36	17
P2206.103-16-100	103	M16	12.5	73	100	148	48	36	17
P2206.103-16-125	103	M16	12.5	73	125	173	48	36	17
P2206.103-16-150	103	M16	12.5	73	150	198	48	36	17
P2206.103-16-175	103	M16	12.5	73	175	223	48	36	17
P2206.103-16-200	103	M16	12.5	73	200	248	48	36	17



LEVELLING FEET

Order No.	d ₁	d ₂	d ₃	d ₄	l	h ₁	h ₂	h ₃	A/F
P2206.103-16-225	103	M16	12.5	73	225	273	48	36	17
P2206.103-20-075	103	M20	12.5	73	75	123	48	36	17
P2206.103-20-100	103	M20	12.5	73	100	148	48	36	17
P2206.103-20-125	103	M20	12.5	73	125	173	48	36	17
P2206.103-20-150	103	M20	12.5	73	150	198	48	36	17
P2206.103-20-175	103	M20	12.5	73	175	223	48	36	17
P2206.103-20-200	103	M20	12.5	73	200	248	48	36	17
P2206.103-20-225	103	M20	12.5	73	225	273	48	36	17
P2206.103-24-075	103	M24	12.5	73	75	125	50	36	20
P2206.103-24-100	103	M24	12.5	73	100	150	50	36	20
P2206.103-24-125	103	M24	12.5	73	125	175	50	36	20
P2206.103-24-150	103	M24	12.5	73	150	200	50	36	20
P2206.103-24-175	103	M24	12.5	73	175	225	50	36	20
P2206.103-24-200	103	M24	12.5	73	200	250	50	36	20
P2206.103-24-225	103	M24	12.5	73	225	275	50	36	20
P2206.123-16-050	123	M16	12.5	87	50	103	53	40	20
P2206.123-16-075	123	M16	12.5	87	75	128	53	40	20
P2206.123-16-100	123	M16	12.5	87	100	153	53	40	20
P2206.123-16-125	123	M16	12.5	87	125	178	53	40	20
P2206.123-16-150	123	M16	12.5	87	150	203	53	40	20
P2206.123-16-175	123	M16	12.5	87	175	228	53	40	20
P2206.123-16-200	123	M16	12.5	87	200	253	53	40	20
P2206.123-16-225	123	M16	12.5	87	225	278	53	40	20
P2206.123-20-075	123	M20	12.5	87	75	128	53	40	20
P2206.123-20-100	123	M20	12.5	87	100	153	53	40	20
P2206.123-20-125	123	M20	12.5	87	125	178	53	40	20
P2206.123-20-150	123	M20	12.5	87	150	203	53	40	20
P2206.123-20-175	123	M20	12.5	87	175	228	53	40	20
P2206.123-20-200	123	M20	12.5	87	200	253	53	40	20
P2206.123-20-225	123	M20	12.5	87	225	278	53	40	20
P2206.123-24-075	123	M24	12.5	87	75	128	53	40	20
P2206.123-24-100	123	M24	12.5	87	100	153	53	40	20
P2206.123-24-125	123	M24	12.5	87	125	178	53	40	20
P2206.123-24-150	123	M24	12.5	87	150	203	53	40	20
P2206.123-24-175	123	M24	12.5	87	175	228	53	40	20
P2206.123-24-200	123	M24	12.5	87	200	253	53	40	20
P2206.123-24-225	123	M24	12.5	87	225	278	53	40	20
P2206.123-24-250	123	M24	12.5	87	250	303	53	40	20
P2206.123-30-100	123	M30	12.5	87	100	153	53	40	26
P2206.123-30-125	123	M30	12.5	87	125	178	53	40	26
P2206.123-30-150	123	M30	12.5	87	150	203	53	40	26
P2206.123-30-175	123	M30	12.5	87	175	228	53	40	26
P2206.123-30-200	123	M30	12.5	87	200	253	53	40	26
P2206.123-30-225	123	M30	12.5	87	225	278	53	40	26
P2206.123-30-250	123	M30	12.5	87	250	303	53	40	26



P2207

LEVELLING FEET

Material

Steel (C40), powder coated (RAL 1007), with rubber pad (70 shore A).

Technical Notes

Load values refer to static loads, located at half the screw height.

Order No.	d ₁	d ₂	h ₁	h ₂	h ₃	l ₁	A/F	Load kgf max.
P2207.050-10-025	50	M10	56	31	19	25	14	1500
P2207.050-10-050	50	M10	81	31	19	50	14	1500
P2207.050-10-075	50	M10	106	31	19	75	14	1500
P2207.050-10-100	50	M10	131	31	19	100	14	1500
P2207.050-10-125	50	M10	156	31	19	125	14	1500
P2207.050-12-025	50	M12	56	31	19	25	14	1500
P2207.050-12-050	50	M12	81	31	19	50	14	1500
P2207.050-12-075	50	M12	106	31	19	75	14	1500
P2207.050-12-100	50	M12	131	31	19	100	14	1500
P2207.050-12-125	50	M12	156	31	19	125	14	1500
P2207.050-14-025	50	M14	56	31	19	25	14	1500
P2207.050-14-050	50	M14	81	31	19	50	14	1500
P2207.050-14-075	50	M14	106	31	19	75	14	1500
P2207.050-14-100	50	M14	131	31	19	100	14	1500
P2207.050-14-125	50	M14	156	31	19	125	14	1500
P2207.065-14-050	65	M14	83	33	20	50	16	2000
P2207.065-14-075	65	M14	108	33	20	75	16	2000
P2207.065-14-100	65	M14	133	33	20	100	16	2000
P2207.065-14-125	65	M14	158	33	20	125	16	2000
P2207.065-14-150	65	M14	183	33	20	150	16	2000
P2207.065-16-050	65	M16	83	33	20	50	16	2000
P2207.065-16-075	65	M16	108	33	20	75	16	2000
P2207.065-16-100	65	M16	133	33	20	100	16	2000
P2207.065-16-125	65	M16	158	33	20	125	16	2000
P2207.065-16-150	65	M16	183	33	20	150	16	2000
P2207.065-16-175	65	M16	208	33	20	175	16	2000
P2207.080-16-050	80	M16	86	36	23	50	16	3000
P2207.080-16-075	80	M16	111	36	23	75	16	3000
P2207.080-16-100	80	M16	136	36	23	100	16	3000
P2207.080-16-125	80	M16	161	36	23	125	16	3000
P2207.080-16-150	80	M16	186	36	23	150	16	3000
P2207.080-16-175	80	M16	211	36	23	175	16	3000
P2207.080-16-200	80	M16	236	36	23	200	16	3000
P2207.080-20-075	80	M20	114	39	23	75	17	3000



LEVELLING FEET

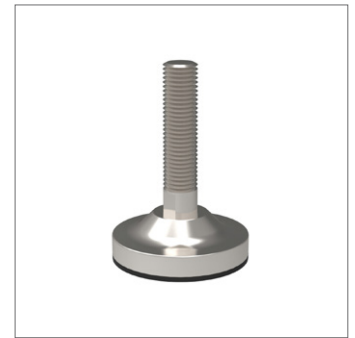
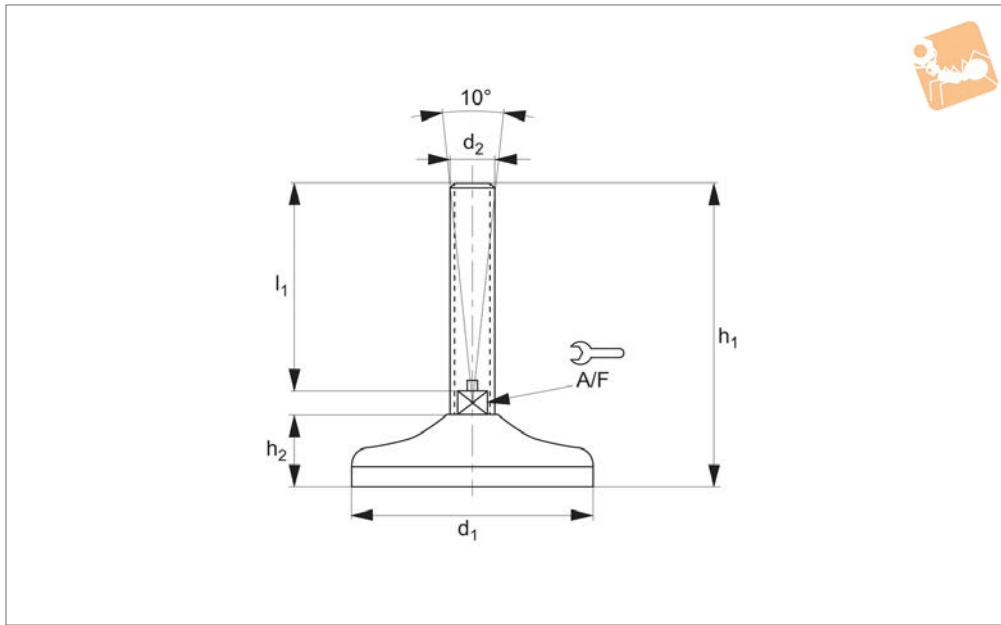
Order No.	d ₁	d ₂	h ₁	h ₂	h ₃	l ₁	A/F	Load kgf max.
P2207.080-20-100	80	M20	139	39	23	100	17	3000
P2207.080-20-125	80	M20	164	39	23	125	17	3000
P2207.080-20-150	80	M20	189	39	23	150	17	3000
P2207.080-20-175	80	M20	214	39	23	175	17	3000
P2207.080-20-200	80	M20	239	39	23	200	17	3000
P2207.080-20-225	80	M20	264	39	23	225	17	3000
P2207.100-16-050	100	M16	96	46	23	50	20	3500
P2207.100-16-075	100	M16	121	46	23	75	20	3500
P2207.100-16-100	100	M16	146	46	23	100	20	3500
P2207.100-16-125	100	M16	171	46	23	125	20	3500
P2207.100-16-150	100	M16	196	46	23	150	20	3500
P2207.100-16-175	100	M16	221	46	23	175	20	3500
P2207.100-16-200	100	M16	246	46	23	200	20	3500
P2207.100-20-075	100	M20	121	46	23	75	20	4500
P2207.100-20-100	100	M20	146	46	23	100	20	4500
P2207.100-20-125	100	M20	171	46	23	125	20	4500
P2207.100-20-150	100	M20	196	46	23	150	20	4500
P2207.100-20-175	100	M20	221	46	23	175	20	4500
P2207.100-20-200	100	M20	246	46	23	200	20	4500
P2207.100-20-225	100	M20	271	46	23	225	20	4500
P2207.100-20-250	100	M20	296	46	23	250	20	4500
P2207.100-24-075	100	M24	122	47	23	75	20	5500
P2207.100-24-100	100	M24	147	47	23	100	20	5500
P2207.100-24-125	100	M24	172	47	23	125	20	5500
P2207.100-24-150	100	M24	202	47	23	150	20	5500
P2207.100-24-175	100	M24	222	47	23	175	20	5500
P2207.100-24-200	100	M24	247	47	23	200	20	5500
P2207.100-24-225	100	M24	272	47	23	225	20	5500
P2207.100-24-250	100	M24	297	47	23	250	20	5500
P2207.120-16-050	120	M16	99	49	26	50	20	3500
P2207.120-16-075	120	M16	104	49	26	75	20	3500
P2207.120-16-100	120	M16	149	49	26	100	20	3500
P2207.120-16-125	120	M16	174	49	26	125	20	3500
P2207.120-16-150	120	M16	199	49	26	150	20	3500
P2207.120-16-175	120	M16	224	49	26	175	20	3500
P2207.120-16-200	120	M16	249	49	26	200	20	3500
P2207.120-20-075	120	M20	124	49	26	75	20	4500
P2207.120-20-100	120	M20	149	49	26	100	20	4500
P2207.120-20-125	120	M20	174	49	26	125	20	4500
P2207.120-20-150	120	M20	199	49	26	150	20	4500
P2207.120-20-175	120	M20	224	49	26	175	20	4500
P2207.120-20-200	120	M20	249	49	26	200	20	4500
P2207.120-20-225	120	M20	274	49	26	225	20	4500
P2207.120-20-250	120	M20	299	49	26	250	20	4500
P2207.120-24-075	120	M24	125	50	26	75	20	5500
P2207.120-24-100	120	M24	150	50	26	100	20	5500
P2207.120-24-125	120	M24	175	50	26	125	20	5500
P2207.120-24-150	120	M24	200	50	26	150	20	5500
P2207.120-24-175	120	M24	225	50	26	175	20	5500
P2207.120-24-200	120	M24	250	50	26	200	20	5500
P2207.120-24-225	120	M24	275	50	26	225	20	5500
P2207.120-24-250	120	M24	300	50	26	250	20	5500
P2207.120-30-100	120	M30	150	50	26	100	26	6500
P2207.120-30-125	120	M30	175	50	26	125	26	6500
P2207.120-30-150	120	M30	200	50	26	150	26	6500
P2207.120-30-175	120	M30	225	50	26	175	26	6500
P2207.120-30-200	120	M30	250	50	26	200	26	6500
P2207.120-30-225	120	M30	275	50	26	225	26	6500
P2207.120-30-250	120	M30	300	50	26	250	26	6500



Steel Levelling Feet steel



Levelling Feet



P2208

LEVELLING FEET

Material

Galvanized steel (C40), with rubber pad (70 shore A).

Technical Notes

Load values refer to static loads, located at half the screw height.

Order No.	d ₁	d ₂	h ₁	h ₂	l ₁	A/F	Load kgf max.
P2208.050-10-050	50	M10	79	19	50	14	400
P2208.050-10-100	50	M10	129	19	100	14	400
P2208.050-12-050	50	M12	79	19	50	14	400
P2208.050-12-100	50	M12	129	19	100	14	400
P2208.050-12-150	50	M12	179	19	150	14	400
P2208.050-14-050	50	M14	79	19	50	14	400
P2208.050-14-100	50	M14	129	19	100	14	400
P2208.050-14-150	50	M14	179	19	150	14	400
P2208.050-16-075	50	M16	104	19	75	14	400
P2208.050-16-100	50	M16	129	19	100	14	400
P2208.050-16-150	50	M16	179	19	150	14	400
P2208.080-10-050	80	M10	85	25	50	14	1000
P2208.080-10-100	80	M10	135	25	100	14	1000
P2208.080-12-050	80	M12	85	25	50	14	1000
P2208.080-12-100	80	M12	135	25	100	14	1000
P2208.080-12-150	80	M12	185	25	150	14	1000
P2208.080-14-050	80	M14	85	25	50	14	1000
P2208.080-14-100	80	M14	135	25	100	14	1000
P2208.080-14-150	80	M14	185	25	150	14	1000
P2208.080-16-075	80	M16	85	25	75	14	1000
P2208.080-16-100	80	M16	135	25	100	14	1000
P2208.080-16-150	80	M16	185	25	150	14	1000
P2208.080-20-075	80	M20	111	25	75	14	1000
P2208.080-20-100	80	M20	136	25	100	14	1000
P2208.080-20-150	80	M20	186	25	150	14	1000
P2208.080-20-200	80	M20	236	25	200	14	1000
P2208.080-24-075	80	M24	111	25	75	14	1000
P2208.080-24-100	80	M24	136	25	100	14	1000
P2208.080-24-150	80	M24	186	25	150	14	1000
P2208.080-24-200	80	M24	236	25	200	14	1000
P2208.100-16-075	100	M16	112.5	28	75	16	1500
P2208.100-16-100	100	M16	137.5	28	100	16	1500
P2208.100-16-150	100	M16	187.5	28	150	16	1500
P2208.100-16-200	100	M16	237.5	28	200	16	1500



LEVELLING FEET

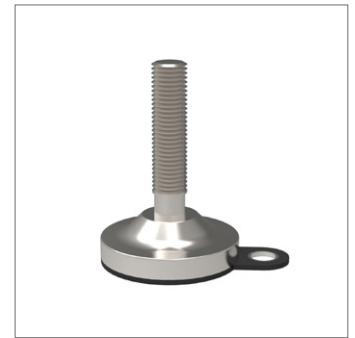
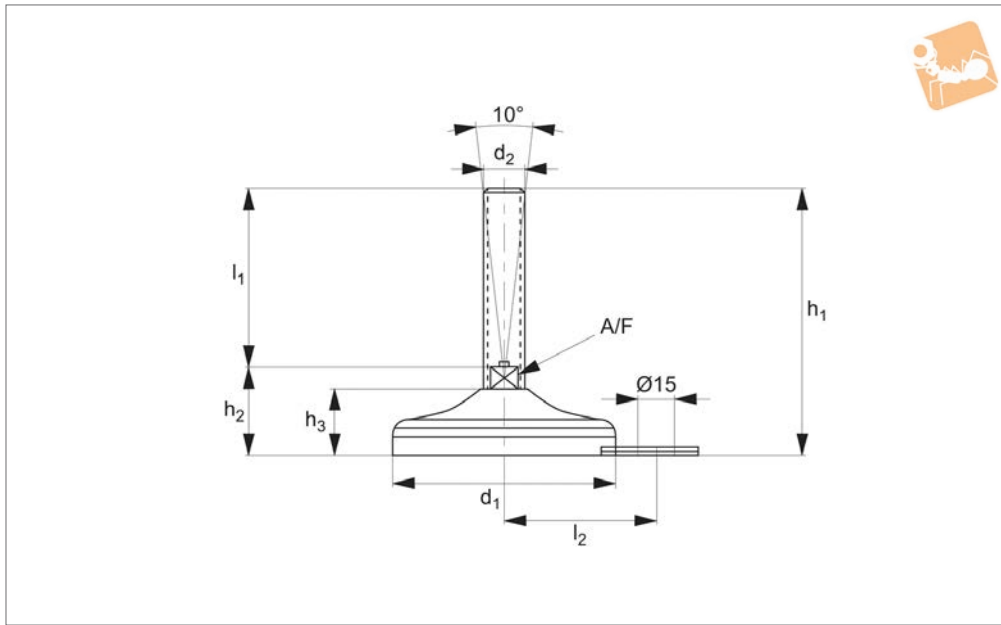
Order No.	d ₁	d ₂	h ₁	h ₂	l ₁	A/F	Load kgf max.
P2208.100-20-075	100	M20	113.5	28	75	20	1500
P2208.100-20-100	100	M20	138.5	28	100	20	1500
P2208.100-20-150	100	M20	188.5	28	150	20	1500
P2208.100-20-200	100	M20	238.5	28	200	20	1500
P2208.100-20-250	100	M20	288.5	28	250	20	1500
P2208.100-24-100	100	M24	138.5	28	100	24	1500
P2208.100-24-150	100	M24	188.5	28	150	24	1500
P2208.100-24-200	100	M24	238.5	28	200	24	1500
P2208.100-24-250	100	M24	288.5	28	250	24	1500
P2208.100-30-100	100	M30	139.5	28	100	30	1500
P2208.100-30-150	100	M30	189.5	28	150	30	1500
P2208.100-30-200	100	M30	239.5	28	200	30	1500
P2208.100-30-250	100	M30	289.5	28	250	30	1500
P2208.120-16-075	120	M16	116.5	32	75	16	3000
P2208.120-16-100	120	M16	141.5	32	100	16	3000
P2208.120-16-150	120	M16	191.5	32	150	16	3000
P2208.120-16-200	120	M16	241.5	32	200	16	3000
P2208.120-20-075	120	M20	117.5	32	75	20	3000
P2208.120-20-100	120	M20	142.5	32	100	20	3000
P2208.120-20-150	120	M20	192.5	32	150	20	3000
P2208.120-20-200	120	M20	242.5	32	200	20	3000
P2208.120-20-250	120	M20	292.5	32	250	20	3000
P2208.120-24-100	120	M24	142.5	32	100	24	3000
P2208.120-24-150	120	M24	192.5	32	150	24	3000
P2208.120-24-200	120	M24	242.5	32	200	24	3000
P2208.120-24-250	120	M24	292.5	32	250	24	3000
P2208.120-30-100	120	M30	143.5	32	100	30	3000
P2208.120-30-150	120	M30	193.5	32	150	30	3000
P2208.120-30-200	120	M30	243.5	32	200	30	3000
P2208.120-30-250	120	M30	293.5	32	250	30	3000



Steel Levelling Feet steel



Levelling Feet



P2209

LEVELLING FEET

Material

Base material: galvanized steel (C40).
Full Steel base with vulcanized rubber.

half the screw height.

In conditions of vibrations or in presence of dynamic loads these values should be reduced.

Technical Notes

Load values refer to static loads, located at

Order No.	d ₁	d ₂	h ₁	h ₂	h ₃	l ₁	l ₂	A/F	Load kgf max.	Weight g
P2209.080-10-050	80	M10	85.0	35.0	25	50	54	14	1000	292
P2209.080-10-100	80	M10	135.0	35.0	25	100	54	14	1000	315
P2209.080-12-050	80	M12	85.0	35.0	25	50	54	14	1000	303
P2209.080-12-100	80	M12	135.0	35.0	25	100	54	14	1000	335
P2209.080-12-150	80	M12	185.0	35.0	25	150	54	14	1000	372
P2209.080-14-050	80	M14	85.0	35.0	25	50	54	14	1000	316
P2209.080-14-100	80	M14	135.0	35.0	25	100	54	14	1000	363
P2209.080-14-150	80	M14	185.0	35.0	25	150	54	14	1000	413
P2209.080-16-075	80	M16	110.0	35.0	25	75	54	16	1000	367
P2209.080-16-100	80	M16	135.0	35.0	25	100	54	16	1000	399
P2209.080-16-150	80	M16	185.0	35.0	25	150	54	16	1000	464
P2209.080-16-175	80	M16	235.0	35.0	25	200	54	16	1000	527
P2209.080-20-075	80	M20	111.0	36.0	25	75	54	20	1000	430
P2209.080-20-100	80	M20	136.0	36.0	25	100	54	20	1000	480
P2209.080-20-150	80	M20	186.0	36.0	25	150	54	20	1000	582
P2209.080-20-200	80	M20	236.0	36.0	25	200	54	20	1000	683
P2209.080-24-075	80	M24	111.0	36.0	25	75	54	24	1000	503
P2209.080-24-100	80	M24	136.0	36.0	25	100	54	24	1000	576
P2209.080-24-150	80	M24	186.0	36.0	25	150	54	24	1500	721
P2209.080-24-200	80	M24	236.0	36.0	25	200	54	24	1500	867
P2209.100-16-075	100	M16	112.5	37.5	28	75	69	16	1500	505
P2209.100-16-100	100	M16	137.5	37.5	28	100	69	16	1500	537
P2209.100-16-150	100	M16	187.5	37.5	28	150	69	16	1500	602
P2209.100-16-200	100	M16	237.5	37.5	28	200	69	16	1500	665
P2209.100-20-075	100	M20	113.5	38.5	28	75	69	20	1500	568
P2209.100-20-100	100	M20	138.5	38.5	28	100	69	20	1500	618
P2209.100-20-150	100	M20	188.5	38.5	28	150	69	20	1500	720
P2209.100-20-200	100	M20	238.5	38.5	28	200	69	20	1500	821
P2209.100-20-250	100	M20	288.5	38.5	28	250	69	20	1500	924
P2209.100-24-100	100	M24	138.5	38.5	28	100	69	24	1500	641
P2209.100-24-150	100	M24	188.5	38.5	28	150	69	24	1500	714



Order No.	d ₁	d ₂	h ₁	h ₂	h ₃	l ₁	l ₂	A/F	Load kgf max.	Weight g
P2209.100-24-200	100	M24	238.5	38.5	28	200	69	24	1500	859
P2209.100-24-250	100	M24	288.5	38.5	28	250	69	24	1500	1005
P2209.100-30-100	100	M30	139.5	39.5	28	100	69	30	1500	906
P2209.100-30-150	100	M30	189.5	39.5	28	150	69	30	1500	1139
P2209.100-30-200	100	M30	239.5	39.5	28	200	69	30	1500	1363
P2209.100-30-250	100	M30	289.5	39.5	28	250	69	30	1500	1593

LEVELLING FEET

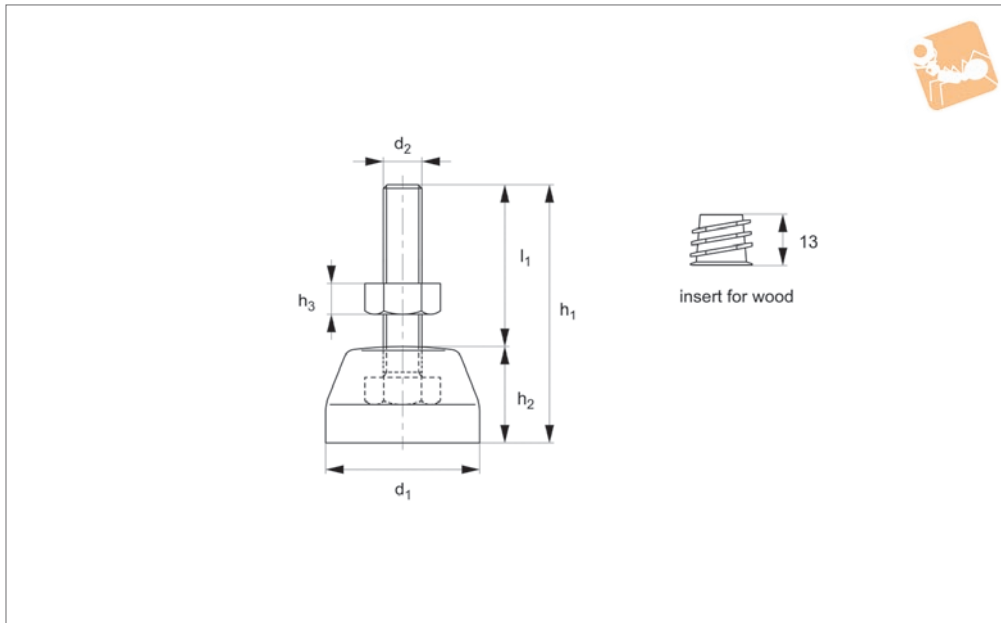


Elastomer Levelling Feet

A2 stainless steel thread



Levelling Feet



P2217

LEVELLING FEET

Material

Thermoplastic elastomer base (grey TPE), stainless steel thread (AISI 304, 1.4301). Removable threaded insert for wood included: zinc die cast (ZDC).

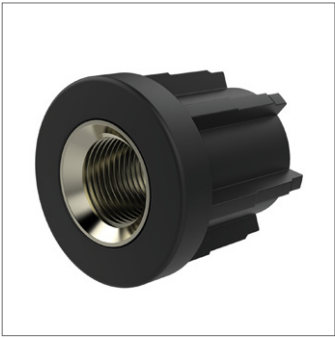
Technical Notes

This levelling foot is ideal for widespread

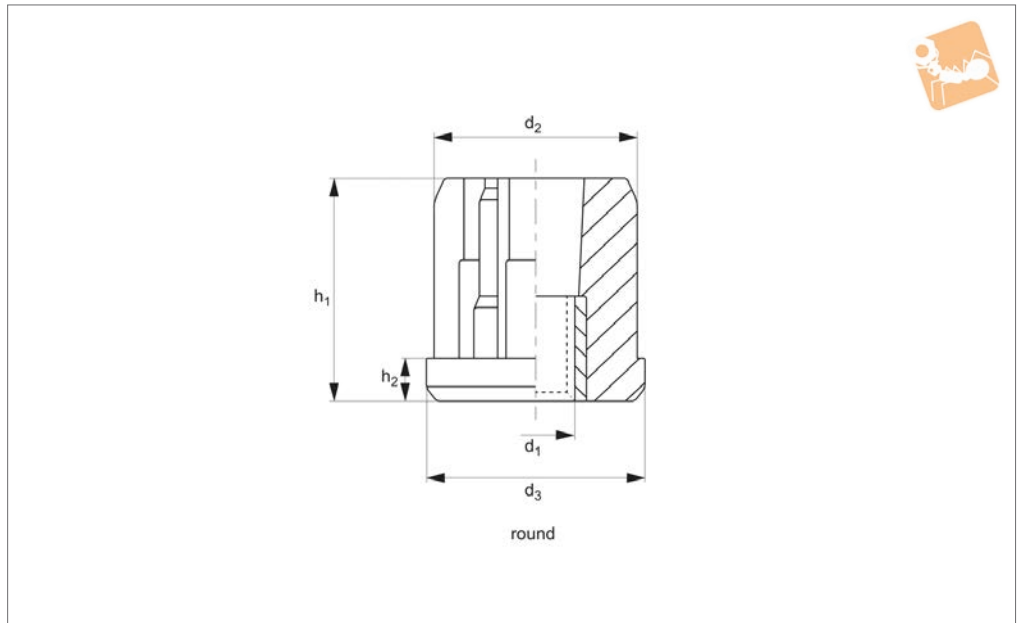
applications involving both threaded materials and non-threaded materials (such as wood). For use with non-threaded materials, the optional threaded sheath can be inserted, allowing the levelling foot to be attached to non-threaded materials. The ridged TPE base provides this levelling

foot with excellent anti-slip and acoustic/vibration dampening properties. This product is ideal for medical, laboratory and educational settings and each unit has a maximum load of 15 kg.

Order No.	d ₁	d ₂	h ₁	h ₂	h ₃	l ₁	Load kg max.	Weight g
P2217.030-080-033	30	M 8	44	10.5	6	33.2	15	30
P2217.040-100-027	40	M10	40	13.0	6	27.0	15	50
P2217.040-100-037	40	M10	50	13.0	6	37.0	15	54
P2217.040-100-042	40	M10	67	25.0	8	42.0	15	74



P2212.R



Material

Moulding: polyamide, reinforced with fiber glass.

Insert: nickel-plated brass.

Stainless steel inserts available on request.

Notes -

Order No.	d ₁	d ₂	d ₃	h ₁	h ₂	Static load kN max.
P2212.30-28-R10	M10	28.5	30	35	6	3.2
P2212.30-28-R12	M12	28.5	30	35	6	3.2
P2212.30-28-R14	M14	28.5	30	35	6	3.2
P2212.30-28-R16	M16	28.5	30	35	6	3.2
P2212.38-35-R10	M10	35.5	38	43	8	5.5
P2212.38-35-R12	M12	35.5	38	43	8	5.5
P2212.38-35-R14	M14	35.5	38	43	8	5.5
P2212.38-35-R16	M16	35.5	38	43	8	5.5
P2212.42-39-R10	M10	39.5	42	42	8	6.5
P2212.42-39-R12	M12	39.5	42	42	8	6.5
P2212.42-39-R14	M14	39.5	42	42	8	6.5
P2212.42-39-R16	M16	39.5	42	42	8	6.5
P2212.42-39-R20	M20	39.5	42	42	8	6.5
P2212.48-45-R10	M10	45.5	48	49	11	8.0
P2212.48-45-R12	M12	45.5	48	49	11	8.0
P2212.48-45-R14	M14	45.5	48	49	11	8.0
P2212.48-45-R16	M16	45.5	48	49	11	8.0
P2212.48-45-R20	M20	45.5	48	49	11	8.0
P2212.50-47-R14	M14	47.5	50	49	11	8.5
P2212.50-47-R16	M16	47.5	50	49	11	8.5
P2212.50-47-R20	M20	47.5	50	49	11	8.5
P2212.60-57-R14	M14	57.5	60	50	12	10.0
P2212.60-57-R16	M16	57.5	60	50	12	10.0
P2212.60-57-R20	M20	57.5	60	50	12	10.0
P2212.60-57-R24	M24	57.5	60	50	12	10.0
P2212.60-56-R14	M14	56.5	60	50	12	10.0
P2212.60-56-R16	M16	56.5	60	50	12	10.0
P2212.60-56-R20	M20	56.5	60	50	12	10.0
P2212.60-56-R24	M24	56.5	60	50	12	10.0
P2212.60-55-R14	M14	55.5	60	50	12	10.0
P2212.60-55-R16	M16	55.5	60	50	12	10.0
P2212.60-55-R20	M20	55.5	60	50	12	10.0
P2212.60-55-R24	M24	55.5	60	50	12	10.0

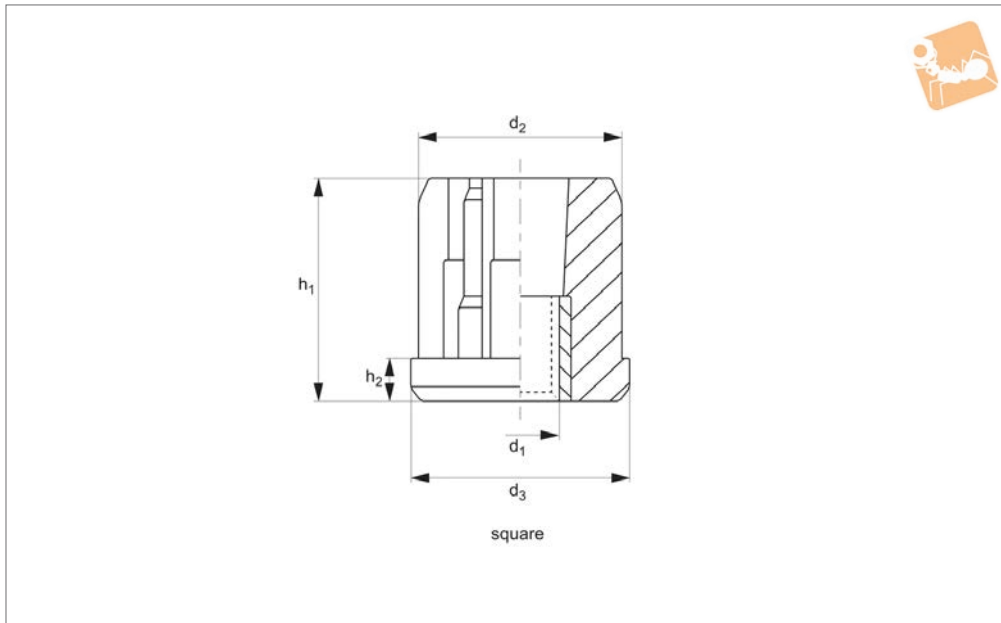


Threaded Plastic Insert - Square

with nickel plated brass bush



Levelling Feet



P2212.S

LEVELLING FEET

Material

Moulding: polyamide, reinforced with fiber glass.

Insert: nickel-plated brass.

Stainless steel inserts available on request.

Notes -

Order No.	d ₁	d ₂	d ₃	h ₁	h ₂	Static load kN max.
P2212.30-27-S10	M10	27	30x30x1,5	33	6	5.5
P2212.30-27-S12	M12	27	30x30x1,5	33	6	5.5
P2212.30-27-S14	M14	27	30x30x1,5	33	6	5.5
P2212.30-27-S16	M16	27	30x30x1,5	33	6	5.5
P2212.35-32-S10	M10	32	35x35x1,5	43	8	7.0
P2212.35-32-S12	M12	32	35x35x1,5	43	8	7.0
P2212.35-32-S14	M14	32	35x35x1,5	43	8	7.0
P2212.35-32-S16	M16	32	35x35x1,5	43	8	7.0
P2212.40-37-S12	M12	37	40x40x1,5	43	8	8.0
P2212.40-37-S14	M14	37	40x40x1,5	43	8	8.0
P2212.40-37-S16	M16	37	40x40x1,5	43	8	8.0
P2212.40-37-S20	M20	37	40x40x1,5	43	8	8.0
P2212.40-36-S10	M10	36	40x40x2,0	43	8	8.0
P2212.40-36-S12	M12	36	40x40x2,0	43	8	8.0
P2212.40-36-S14	M14	36	40x40x2,0	43	8	8.0
P2212.40-36-S16	M16	36	40x40x2,0	43	8	8.0
P2212.40-36-S20	M20	36	40x40x2,0	43	8	8.0
P2212.50-47-S12	M12	47	50x50x1,5	55	10	9.5
P2212.50-47-S14	M14	47	50x50x1,5	55	10	9.5
P2212.50-47-S16	M16	47	50x50x1,5	55	10	9.5
P2212.50-47-S20	M20	47	50x50x1,5	55	10	9.5
P2212.50-45-S14	M14	45	50x50x2,0	55	10	9.5
P2212.50-45-S20	M20	45	50x50x2,0	55	10	9.5