



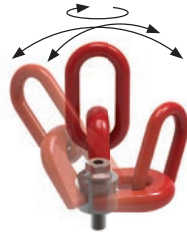
Single swivel

Threads M8 – M48
Loads 0,3 tons
to 15 tons



Double swivel

Threads M4 – M100
Loads 0,05 tons
to 50 tons



Triple swivel

Threads M8 – M56
Loads 0,3 tons
to 22 tons

Introduction to swivel lifting rings and Lifting Bolts (P4002-P4055)

Our swivel lifting rings fully comply with the EC directive 2006/42/EC. They are CE marked and are supplied with a Certificate of Conformity. There is a 100% check on anti-cracking, a proof load test of 2.5 x load limit and a safety factor of 5 on most parts. Each ring is individually marked to ensure full product traceability.

The Swivel Lifting Rings come in three main forms – depending on the number of axis required to swivel. The most popular type is the double swivel rings.

Other Standard Lifting Bolts

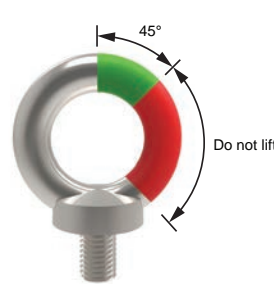
Standard lifting bolts (to DIN 580 and DIN 582) (P4040-P4048)

These are CE marked and are available with male or female threads in either steel or stainless steel (A4 AISI 316). They are meant only for linear loading of the bolts at a maximum angle of 45° from the thread. They are not meant for loads that might swivel.

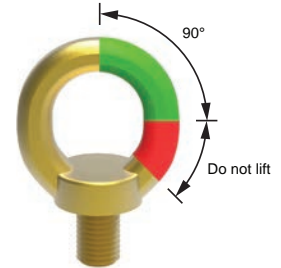
These are supplied with a generic CE Certificate of Conformity stating that the parts have been manufactured to the relevant DIN standard and therefore suitable for lifting.

High-tensile lifting bolts (P4054-P4055)

The High-tensile lifting bolts are similar to the standard lifting bolts but are rated at higher loads and can lift loads at up to 90° from the thread. They are not meant for loads that might swivel.



Standard lifting bolts
DIN 580 & DIN 582
P4040-P4048



Hi-tensile lifting bolts
P4054-P4055

Swivel lifting rings operating instructions.

Please follow these instructions carefully.

- Ensure all lifting bolts are CE marked.
- Ensure they are handled by qualified personnel.
- Refer to the operating instructions particularly with regards to product selection, any possibility of the load swivelling, the effect of lifting angles on the load capacity (see relevant tables), etc.
- Never allow any personnel underneath a suspended load.
- Always heed the load rating of the lifting bolt.
- Always perform a visual inspection of the lifting rings prior to use. Checking for any damage to thread and/or swivelling system. Check for wear or corrosion, signs of stress or bending. Check CE mark and load rating.
- Ensure a yearly full service inspection is performed.
- Always ensure the full bottom face of the lifting bolts is in contact with a smooth, square surface.
- Ensure bolt is tightened to the correct torque.
- Ensure full and unrestricted movement of the lifting ring in all directions.
- Before each lift ensure the correct orientation of the shackle in the lift direction.
- Avoid using our standard steel lifting rings in corrosive environments eg sandy, chemical, acid, moisture etc. In this case consider using our stainless steel lifting rings.

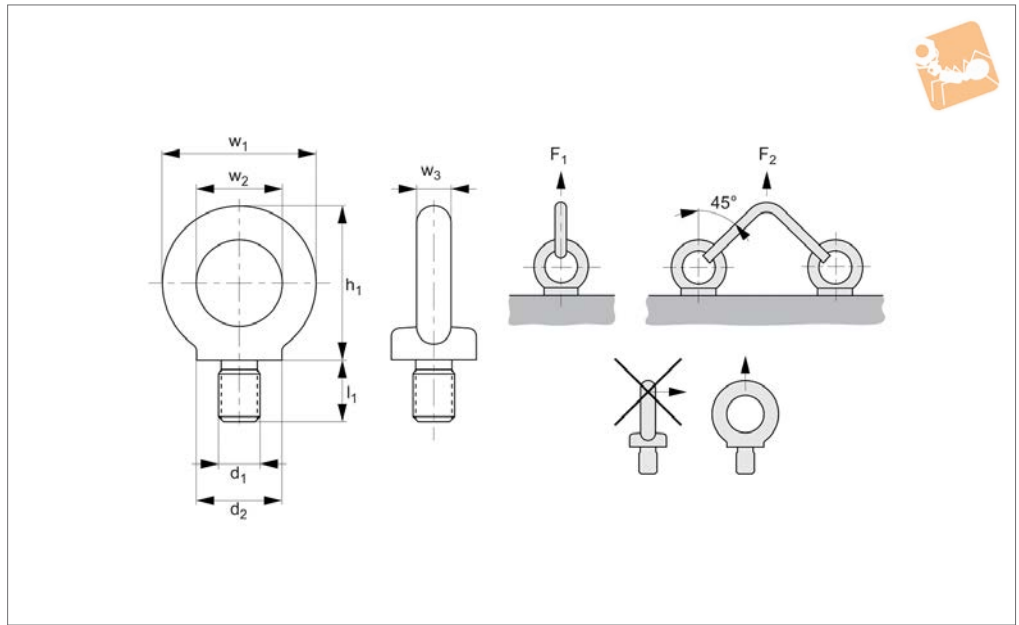
- Note the thread length requirements:
 - 1 x thread diameter for steel (ST37 min.).
 - 1.25 x thread diameter for cast iron.
 - 2 x thread diameter for aluminium.
 - 2.5 x thread diameter for other light metals.
 - If fixing into low resistance material it is better to allow for a bigger diameter thread to compensate for the lower material resistance.

Note: The full thread must be engaged. Longer thread lengths can be supplied on request or a bolt and washer/nut combination can be used.





P4040



LIFTING PINS, LIFTING BOLTS & SWING BOLTS

Material

Forged steel (C15E) annealed and zinc plated. Contact face machined. CE marked.

Technical Notes

To DIN 580.
When using lifting eye bolts it is critical to ensure that the face is in firm contact with the mating surface.
These lifting bolts are generally installed and remain on a piece of equipment for the

purpose of transporting them. They are not for repeated lifting use - if this is required our swivelling lifting bolt range should be used.

Tips

Maximum load values are only applicable when the thread is fully screwed in, and the material it is being used in is as least as strong as the that of the bolt.
Temperature range -20°C to +200°C.

F_1 and F_2 values given are for steel and cast iron components.

Important Notes

Not to be used at lift angles of greater than 45° or with swivelling loads.
Please refer to the safety documentation before using this part.
Supplied with certificate and operating instructions.

Order No.	Thread	d ₁	d ₂	w ₁	l ₁	h ₁	w ₂	w ₃	F ₁ kg max.	F ₂ kg max.	Weight kg
P4040.060-ZP	Coarse	M 6	20	36	13.0	36	20	8	70	50	0.05
P4040.080-ZP	Coarse	M 8	20	36	13.0	36	20	8	140	95	0.06
P4040.100-ZP	Coarse	M10	25	45	17.0	45	25	10	230	170	0.11
P4040.120-ZP	Coarse	M12	30	54	20.5	53	30	12	340	240	0.18
P4040.140-ZP	Coarse	M14	35	63	27.0	62	35	14	340	240	0.18
P4040.160-ZP	Coarse	M16	35	63	27.0	62	35	14	700	500	0.28
P4040.180-ZP	Coarse	M18	40	72	30.0	71	40	14	700	500	0.43
P4040.200-ZP	Coarse	M20	40	72	30.0	71	40	16	1200	830	0.45
P4040.220-ZP	Coarse	M22	40	72	30.0	71	40	16	1200	830	0.45
P4040.240-ZP	Coarse	M24	50	90	36.0	90	50	20	1800	1270	0.74
P4040.270-ZP	Coarse	M27	65	108	45.0	109	60	24	1800	1270	0.93
P4040.300-ZP	Coarse	M30	65	108	45.0	109	60	24	3200	2300	1.66
P4040.330-ZP	Coarse	M33	75	126	54.0	128	70	28	3600	3600	2.60
P4040.360-ZP	Coarse	M36	75	126	54.0	128	70	28	4600	3300	2.65
P4040.390-ZP	Coarse	M39	85	144	63.0	147	80	32	5100	3700	3.87
P4040.420-ZP	Coarse	M42	85	144	63.0	147	80	32	6300	4500	4.03
P4040.450-ZP	Coarse	M45	100	166	68.0	168	90	38	7000	5000	6.15
P4040.480-ZP	Coarse	M48	100	166	68.0	168	90	38	8600	6100	6.38
P4040.560-ZP	Coarse	M56	110	184	78.0	187	100	42	11500	8200	8.80
P4040.640-ZP	Coarse	M64	120	206	90.0	208	110	48	16000	11000	12.4
P4040.720-ZP	Coarse	M72 x 6	150	260	100.0	260	140	60	20000	14000	23.3
P4040.800-ZP	Coarse	M80 x 6	170	296	112.0	298	160	68	28000	20000	34.2
P4040.999-ZP	Coarse	M100 x 6	190	330	130.0	330	180	75	40000	29000	49.1
P4040.120-015-ZP	Fine	M12 x 1,5	30	54	20.5	53	30	12	340	240	0.18

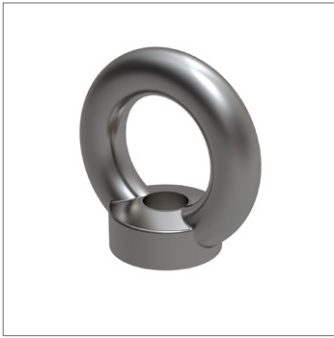


Steel Male Lifting Eye Bolts metric sizes

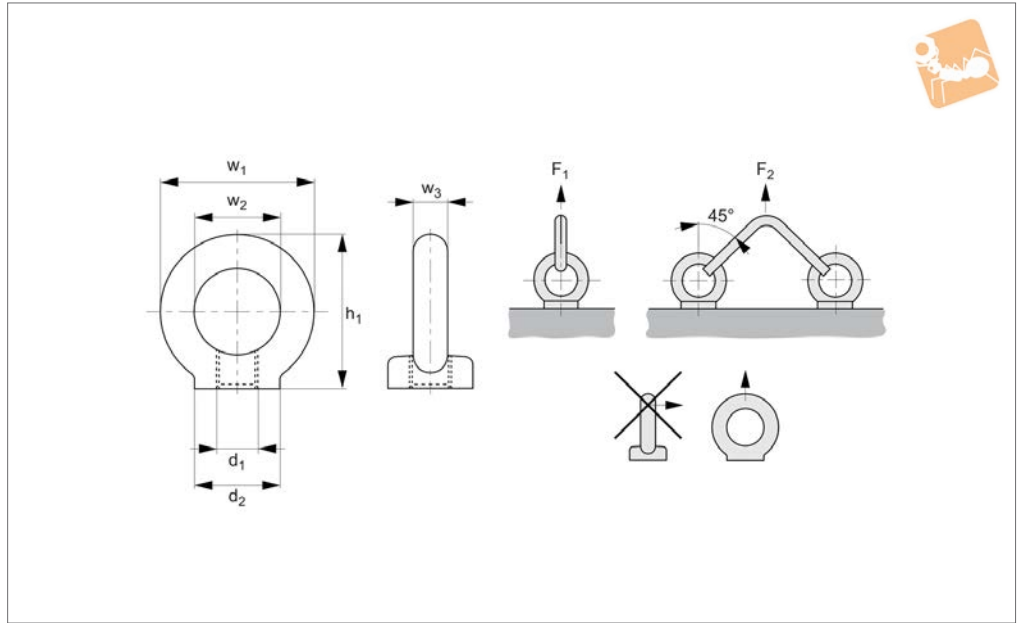
Lifting Pins,
Lifting Bolts &

Order No.	Thread	d ₁	d ₂	w ₁	l ₁	h ₁	w ₂	w ₃	F ₁ kg max.	F ₂ kg max.	Weight kg
P4040.160-015-ZP	Fine	M16 x 1,5	35	63	27.0	62	35	14	700	500	0.28
P4040.200-020-ZP	Fine	M20 x 2,0	40	72	30.0	71	40	16	1200	830	0.45
P4040.240-020-ZP	Fine	M24 x 2,0	50	90	36.0	90	50	20	1800	1270	0.74
P4040.300-020-ZP	Fine	M30 x 2,0	65	108	45.0	109	60	24	3600	2600	1.66
P4040.360-030-ZP	Fine	M36 x 3,0	75	126	54.0	128	70	28	5100	3700	2.58
P4040.420-030-ZP	Fine	M42 x 3,0	85	144	63.0	147	80	32	7000	5000	3.95
P4040.480-030-ZP	Fine	M48 x 3,0	100	166	68.0	168	90	38	8600	6100	6.38
P4040.560-040-ZP	Fine	M56 x 4,0	110	184	78.0	187	100	42	11500	8300	8.48

LIFTING PINS, LIFTING BOLTS & SWING
BOLTS



P4041



LIFTING PINS, LIFTING BOLTS & SWING BOLTS

Material

Forged steel (C15E) annealed and zinc plated. Contact face machined. CE marked.
Hot dipped galvanised versions (for more demanding applications and limited outside use) also available on request, suffix changes to -GV.

Technical Notes

To DIN 582.
When using lifting eye bolts it is critical to ensure that the face is in firm contact with

the mating surface.

These lifting bolts are generally installed and remain on a piece of equipment for the purpose of transporting them. They are not for repeated lifting use - if this is required our swivelling lifting bolt range should be used.

Tips

Maximum load values are only applicable when the thread and the material, it is being used in is as least as strong as the

that of the bolt.

Temperature range -20°C to +200°C.

F_1 and F_2 values given are for steel and cast iron components.

Important Notes

Not to be used at lift angles of greater than 45° or with swivelling loads.

Please refer to the safety documentation before using this part.

Supplied with certificate and operating instructions.

Order No.	Thread	d ₁	d ₂	w ₁	h ₁	w ₂	w ₃	F ₁ kg max.	F ₂ kg max.	Weight kg
P4041.060-ZP	Coarse	M 6	20	36	36	20	8	70	50	0.05
P4041.080-ZP	Coarse	M 8	20	36	36	20	8	140	95	0.05
P4041.100-ZP	Coarse	M10	25	45	45	25	10	230	170	0.09
P4041.120-ZP	Coarse	M12	30	54	53	30	12	340	240	0.16
P4041.140-ZP	Coarse	M14	35	63	62	35	14	340	240	0.24
P4041.160-ZP	Coarse	M16	35	63	62	35	14	700	500	0.24
P4041.180-ZP	Coarse	M18	40	72	71	40	16	700	700	0.35
P4041.200-ZP	Coarse	M20	40	72	71	40	16	1200	830	0.36
P4041.220-ZP	Coarse	M22	40	72	71	40	16	1200	830	0.36
P4041.240-ZP	Coarse	M24	50	90	90	50	20	1800	1270	0.72
P4041.270-ZP	Coarse	M27	50	90	90	50	20	1800	1270	0.72
P4041.300-ZP	Coarse	M30	65	108	109	60	24	3200	2300	1.32
P4041.330-ZP	Coarse	M33	65	108	109	60	24	3600	2600	1.30
P4041.360-ZP	Coarse	M36	75	126	128	70	28	5100	3700	2.08
P4041.390-ZP	Coarse	M39	75	126	128	70	28	5100	3700	2.08
P4041.420-ZP	Coarse	M42	85	144	147	80	32	7000	4500	3.11
P4041.480-ZP	Coarse	M48	100	166	168	90	38	8600	6100	5.02
P4041.560-ZP	Coarse	M56	110	184	187	100	42	11500	8200	6.70
P4041.640-ZP	Coarse	M64	120	206	208	110	48	16000	11000	9.30
P4041.720-ZP	Coarse	M72x6	150	260	260	140	60	20000	14000	18.5
P4041.800-ZP	Coarse	M80x6	170	296	298	160	68	28000	20000	27.3
P4041.999-ZP	Coarse	M100x6	190	330	330	180	75	40000	29000	26.4
P4041.160-015-ZP	Fine	M16 x 1,5	35	63	62	35	14	700	500	0.24



Steel Female Lifting Eye Bolts metric sizes

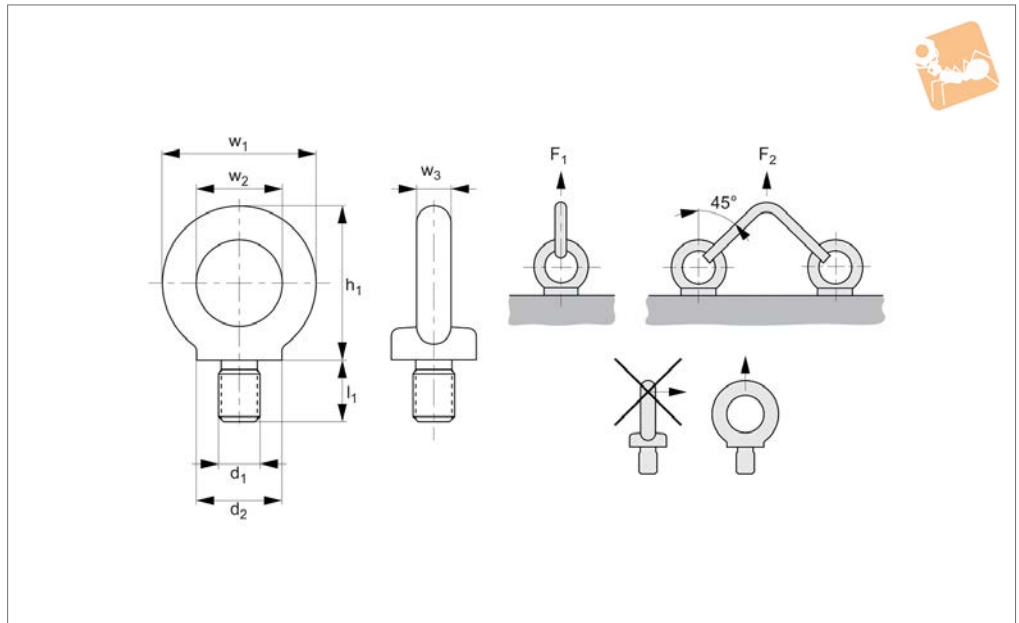
Lifting Pins,
Lifting Bolts &

Order No.	Thread	d ₁	d ₂	w ₁	h ₁	w ₂	w ₃	F ₁ kg max.	F ₂ kg max.	Weight kg
P4041.200-020-ZP	Fine	M20 x 2,0	40	72	71	40	16	1200	830	0.36
P4041.240-020-ZP	Fine	M24 x 2,0	50	90	90	50	20	1800	1270	0.72
P4041.300-020-ZP	Fine	M30 x 2,0	65	108	109	60	24	3600	2600	1.32
P4041.360-030-ZP	Fine	M36 x 3,0	75	126	128	70	28	5100	3700	2.08
P4041.420-030-ZP	Fine	M42 x 3,0	85	144	147	80	32	7000	5000	3.11
P4041.480-030-ZP	Fine	M48 x 3,0	100	166	168	90	38	8600	6100	5.02
P4041.560-040-ZP	Fine	M56 x 4,0	110	184	187	100	42	11500	8300	6.69

LIFTING PINS, LIFTING BOLTS & SWING
BOLTS



P4043



LIFTING PINS, LIFTING BOLTS & SWING BOLTS

Material

Stainless steel (A4, AISI 316).
CE marked.

Technical Notes

To DIN 580.

When using lifting eye bolts it is critical to ensure that the face is in firm contact with the mating surface.

These lifting bolts are generally installed and remain on a piece of equipment for the

purpose of transporting them. They are not for repeated lifting use - if this is required our swivelling lifting bolt range should be used.

Tips

Maximum load values are only applicable when the thread and the material, it is being used in is as least as strong as the that of the bolt.

F₁ and F₂ values given are for steel and cast

iron components.

Important Notes

Not to be used at lift angles of greater than 45° or with swivelling loads.

Please refer to the safety documentation before using this part.

Supplied with certificate and operating instructions.

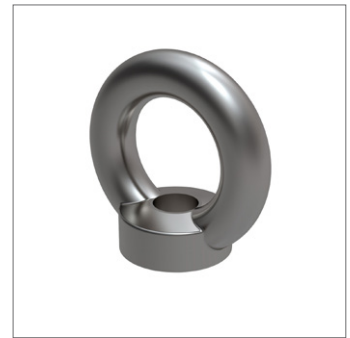
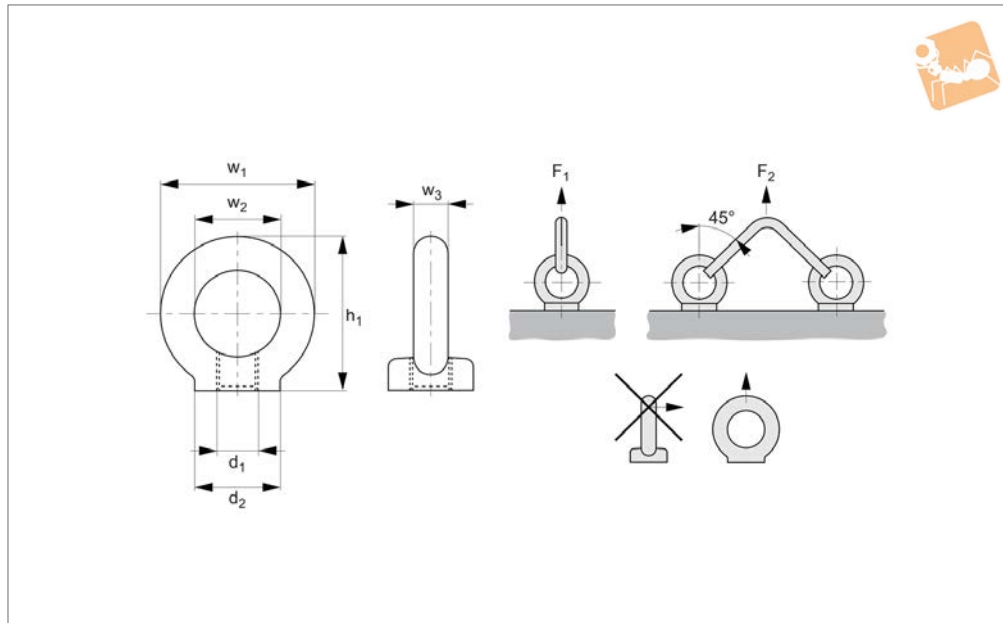
Order No.	Material	d ₁	d ₂	w ₁	l ₁	h ₁	w ₂	w ₃	F ₁ kg max.	F ₂ kg max.	Weight kg
P4043.060-A4	A4 s/s	M 6	20	36	13.0	36	20	8	70	50	0.05
P4043.080-A4	A4 s/s	M 8	20	36	13.0	36	20	8	140	95	0.06
P4043.100-A4	A4 s/s	M10	25	45	17.0	45	25	10	230	170	0.11
P4043.120-A4	A4 s/s	M12	30	54	20.5	53	30	12	340	240	0.18
P4043.160-A4	A4 s/s	M16	35	63	27.0	62	35	14	700	500	0.28
P4043.200-A4	A4 s/s	M20	40	72	30.0	71	40	16	1200	860	0.45
P4043.240-A4	A4 s/s	M24	50	90	36.0	90	50	20	1800	1270	0.74
P4043.300-A4	A4 s/s	M30	65	108	45.0	109	60	24	3200	2300	1.66
P4043.360-A4	A4 s/s	M36	75	126	54.0	128	70	28	4600	3300	2.65
P4043.420-A4	A4 s/s	M42	85	144	63.0	147	80	32	6300	4500	4.03
P4043.480-A4	A4 s/s	M48	100	166	68.0	168	90	38	8600	6100	6.38
P4043.060-A2	A2 s/s	M 6	20	36	11.0	31	16	8	70	50	0.05
P4043.080-A2	A2 s/s	M 8	20	36	13.0	36	20	8	140	95	0.06
P4043.100-A2	A2 s/s	M10	25	45	17.0	45	25	10	230	170	0.11
P4043.120-A2	A2 s/s	M12	30	54	20.5	53	30	12	340	240	0.18
P4043.160-A2	A2 s/s	M16	35	63	27.0	62	35	14	700	500	0.28
P4043.200-A2	A2 s/s	M20	40	72	30.0	71	40	16	1200	860	0.45
P4043.240-A2	A2 s/s	M24	50	90	36.0	90	50	20	1800	1290	0.74
P4043.300-A2	A2 s/s	M30	65	108	45.0	109	60	24	3200	3200	1.66



Stainless Female Lifting Eye Bolts

metric sizes

Lifting Pins, Lifting Bolts &



P4044

LIFTING PINS, LIFTING BOLTS & SWING BOLTS

Material

Stainless steel (A4, AISI 316).
CE marked.

Technical Notes

To DIN 582.

When using lifting eye bolts it is critical to ensure that the face is in firm contact with the mating surface.

These lifting bolts are generally installed and remain on a piece of equipment for the

purpose of transporting them. They are not for repeated lifting use - if this is required our swivelling lifting bolt range should be used.

Tips

Maximum load values are only applicable when the thread and the material, it is being used in is as least as strong as the that of the bolt.

F_1 and F_2 values given are for steel and cast

iron components.

Important Notes

Not to be used at lift angles of greater than 45° or with swivelling loads.

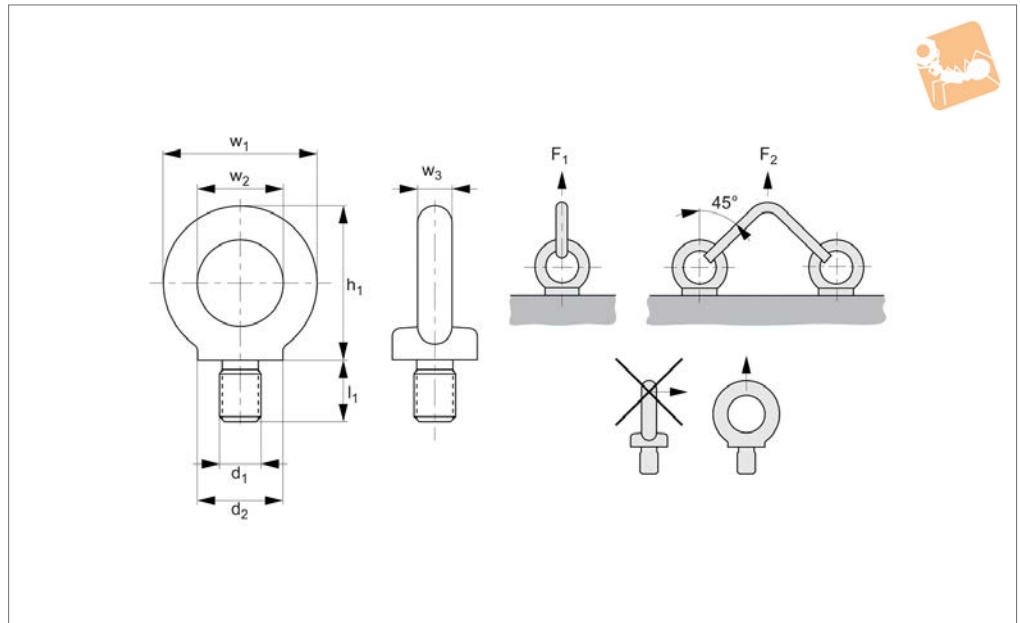
Please refer to the safety documentation before using this part.

Supplied with certificate and operating instructions.

Order No.	Material	d ₁	d ₂	w ₁	h ₁	w ₂	w ₃	F ₁ kg max.	F ₂ kg max.	Weight kg
P4044.060-A4	A4 s/s	M 6	20	36	36	20	8	70	50	0.05
P4044.080-A4	A4 s/s	M 8	20	36	36	20	8	140	95	0.05
P4044.100-A4	A4 s/s	M10	25	45	45	25	10	230	170	0.09
P4044.120-A4	A4 s/s	M12	30	54	53	30	12	340	240	0.16
P4044.160-A4	A4 s/s	M16	35	63	62	35	14	700	500	0.24
P4044.200-A4	A4 s/s	M20	40	72	71	40	16	1200	860	0.36
P4044.240-A4	A4 s/s	M24	50	90	90	50	20	1800	1270	0.72
P4044.300-A4	A4 s/s	M30	65	108	109	60	24@	3200	2300	1.32
P4044.360-A4	A4 s/s	M36	75	126	128	70	28	4600	3300	2.08
P4044.420-A4	A4 s/s	M42	85	144	147	80	32	6300	4500	3.11
P4044.480-A4	A4 s/s	M48	100	166	168	90	38	8600	6100	5.02
P4044.060-A2	A2 s/s	M 6	20	36	31	16	8,5@	70	50	0.03
P4044.080-A2	A2 s/s	M 8	20	36	36	20	8,5	140	95	0.05
P4044.100-A2	A2 s/s	M10	25	45	45	25	10	230	170	0.09
P4044.120-A2	A2 s/s	M12	30	54	53	30	11	340	240	0.16
P4044.160-A2	A2 s/s	M16	35	63	62	35	13	700	500	0.24
P4044.200-A2	A2 s/s	M20	40	72	71	40	16	1200	860	0.36
P4044.240-A2	A2 s/s	M24	50	90	90	50	20	1800	1270	0.72
P4044.300-A2	A2 s/s	M30	65	108	109	60	25	3200	2300	1.32
P4044.360-A2	A2 s/s	M36	75	126	128	70	30	4600	3300	2.08



P4046



LIFTING PINS, LIFTING BOLTS & SWING BOLTS

Material

Forged steel (C15E) annealed and zinc-plated (-ZP). Contact face machined. CE marked.
Hot dipped galvanised versions (for more demanding applications and limited outside use) also available on request, suffix changes to -GV.

Technical Notes

To DIN 580.
When using lifting eye bolts it is critical to ensure that the face is in firm contact with

the mating surface.

These lifting bolts are generally installed and remain on a piece of equipment for the purpose of transporting them. They are not for repeated lifting use - if this is required our swivelling lifting bolt range should be used.

Tips

Maximum load values are only applicable when the thread and the material, it is being used in is as least as strong as the

that of the bolt.

F_1 and F_2 values given are for steel and cast iron components.

Important Notes

Not to be used at lift angles of greater than 45° or with swivelling loads.

Please refer to the safety documentation before using this part.

Supplied with certificate and operating instructions.

Order No.	d ₁	Thread type	d ₂	w ₁	l ₁	h ₁	w ₂	w ₃	F ₁ kg max.	F ₂ kg max.	Weight kg
P4046.U1/4-ZP	1/4"-20	UNC	20	36	13.0	36	20	8	70	50	0.06
P4046.U5/16-ZP	5/16"-18	UNC	20	36	13.0	36	20	8	140	95	0.06
P4046.U3/8-ZP	3/8"-16	UNC	25	45	17.0	45	25	10	230	170	0.11
P4046.U1/2-ZP	1/2"-12	UNC	30	54	20.5	53	30	12	340	240	0.18
P4046.U5/8-ZP	5/8"-11	UNC	35	63	27.0	62	35	14	700	500	0.28
P4046.U3/4-ZP	3/4"-10	UNC	40	72	30.0	71	40	16	1200	830	0.45
P4046.U7/8-ZP	7/8"-9	UNC	50	90	36.0	90	50	20	1500	1050	0.74
P4046.U1-ZP	1"-8	UNC	50	90	36.0	90	50	20	1800	1270	0.74
P4046.U1-1/8-ZP	1-1/8"-7	UNC	65	108	45.0	109	60	24	2500	1650	1.66
P4046.U1-1/4-ZP	1-1/4"-7	UNC	75	126	54.0	128	70	28	4300	3200	2.65
P4046.U1-1/2-ZP	1-1/2"-6	UNC	85	144	63.0	147	80	32	6100	4300	4.03
P4046.U1-3/4-ZP	1-3/4"-5	UNC	100	166	68.0	168	90	38	8000	5500	6.38
P4046.U2-ZP	2"	UNC	100	166	68.0	168	90	38	9900	7300	6.38
P4046.U2-1/4-ZP	2-1/4"	UNC	110	184	78.0	187	100	42	11500	8300	8.80
P4046.U2-1/2-ZP	2-1/2"	UNC	120	206	90.0	208	110	48	16000	11000	12.40
P4046.W1/4-ZP	1/4"-20	BSW	20	36	13.0	36	20	8	70	50	0.06
P4046.W5/16-ZP	5/16"-18	BSW	20	36	13.0	36	20	8	140	95	0.06
P4046.W3/8-ZP	3/8"-16	BSW	25	45	17.0	45	25	10	230	170	0.11
P4046.W1/2-ZP	1/2"-12	BSW	30	54	20.5	53	30	12	340	240	0.18
P4046.W5/8-ZP	5/8"-11	BSW	35	63	27.0	62	35	14	700	500	0.28
P4046.W3/4-ZP	3/4"-10	BSW	40	72	30.0	71	40	16	1200	830	0.45
P4046.W7/8-ZP	7/8"-9	BSW	50	90	36.0	90	50	20	1500	1050	0.74
P4046.W1-ZP	1"-8	BSW	50	90	36.0	90	50	20	1800	1270	0.74

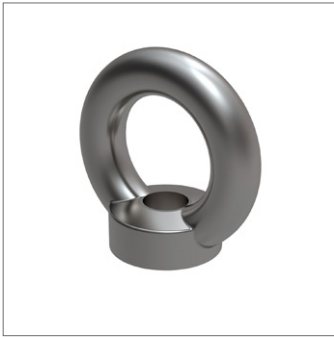


Steel Male Lifting Eye Bolts inch sizes

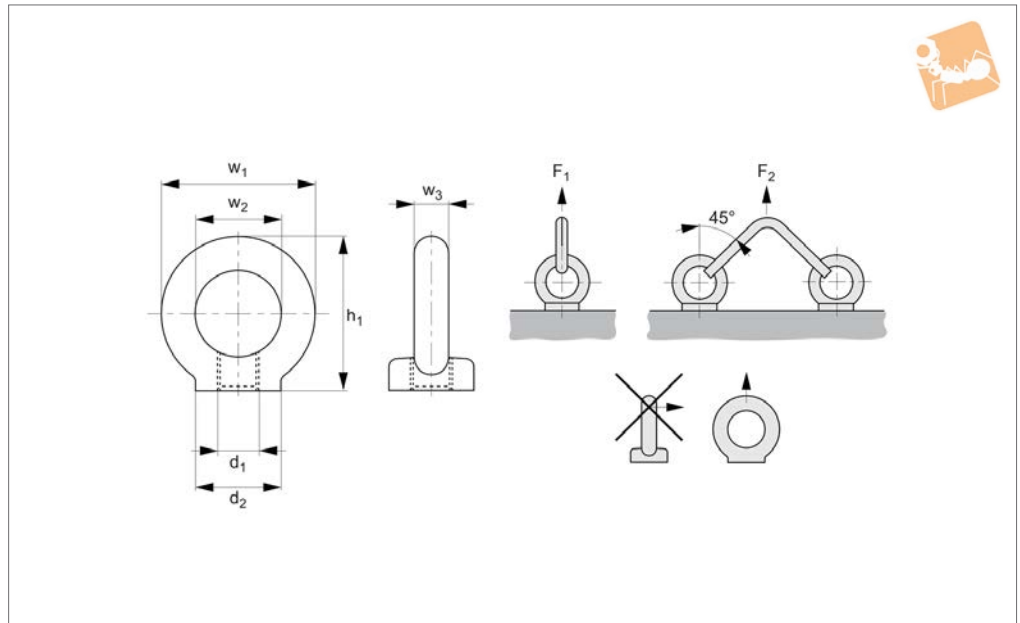
Lifting Pins,
Lifting Bolts &

Order No.	d ₁	Thread type	d ₂	w ₁	l ₁	h ₁	w ₂	w ₃	F ₁ kg max.	F ₂ kg max.	Weight kg
P4046.W1-1/8-ZP	1-1/8"-7	BSW	65	108	45.0	109	60	24	2500	1650	1.66
P4046.W1-1/4-ZP	1-1/4"-7	BSW	75	126	54.0	128	70	28	4300	3200	2.65
P4046.W1-1/2-ZP	1-1/2"-6	BSW	85	144	63.0	147	80	32	6100	4300	4.03
P4046.W1-3/4-ZP	1-3/4"-5	BSW	100	166	68.0	168	90	38	8000	5500	6.38
P4046.W2-ZP	2"	BSW	100	166	68.0	168	90	38	9900	7300	6.38
P4046.W2-1/4-ZP	2-1/4"	BSW	110	184	78.0	187	100	42	11500	8300	8.80
P4046.W2-1/2-ZP	2-1/2"	BSW	120	206	90.0	208	110	48	16000	11000	12.40

LIFTING PINS, LIFTING BOLTS & SWING
BOLTS



P4048



LIFTING PINS, LIFTING BOLTS & SWING BOLTS

Material

Forged steel (C15E) annealed and zinc plated. Contact face machined. CE marked. Hot dipped galvanised versions (for more demanding applications and limited outside use) also available on request, suffix changes to -GV.

Technical Notes

To DIN 582.
When using lifting eye bolts it is critical to ensure that the face is in firm contact with the mating surface.

These lifting bolts are generally installed and remain on a piece of equipment for the purpose of transporting them. They are not for repeated lifting use - if this is required our swivelling lifting bolt range should be used.

Tips

Maximum load values are only applicable when the thread and the material, it is being used in is as least as strong as the that of the bolt.

F_1 and F_2 values given are for steel and cast iron components.

Important Notes

Not to be used at lift angles of greater than 45° or with swivelling loads.

Please refer to the safety documentation before using this part. Supplied with certificate and operating instructions.

Order No.	d ₁	Thread type	d ₂	w ₁	h ₁	w ₂	w ₃	F ₁ kg max.	F ₂ kg max.	Weight kg
P4048.U1/4-ZP	1/4"-20	UNC	20	36	8	20	36	70	50	0.05
P4048.U5/16-ZP	5/16"-18	UNC	20	36	8	20	36	140	95	0.05
P4048.U3/8-ZP	3/8"-16	UNC	25	45	10	25	45	230	170	0.09
P4048.U1/2-ZP	1/2"-13	UNC	30	54	12	30	53	340	240	0.16
P4048.U5/8-ZP	5/8"-11	UNC	35	63	14	35	62	700	500	0.24
P4048.U3/4-ZP	3/4"-10	UNC	40	72	16	40	71	1200	830	0.36
P4048.U7/8-ZP	7/8"-9	UNC	50	90	20	50	90	1500	1050	0.72
P4048.U1-ZP	1"-8	UNC	50	90	20	50	90	1800	1270	0.72
P4048.U1-1/8-ZP	1-1/8"-7	UNC	65	108	24	60	109	2500	1650	1.32
P4048.U1-1/4-ZP	1-1/4"-7	UNC	75	126	28	70	128	4300	3200	2.08
P4048.U1-1/2-ZP	1-1/2"-6	UNC	85	144	32	80	147	6100	4300	3.11
P4048.U1-3/4-ZP	1-3/4"-5	UNC	100	166	38	90	168	8000	5500	5.02
P4048.U2-ZP	2"	UNC	100	166	38	90	168	9900	7300	5.02
P4048.U2-1/4-ZP	2-1/4"	UNC	110	184	42	100	187	11500	8300	6.69
P4048.U2-1/2-ZP	2-1/2"	UNC	120	206	48	110	208	16000	11000	9.30
P4048.G1/4-ZP	1/4"-19	BSP	30	54	12	30	53	70	50	0.16
P4048.G3/8-ZP	3/8"-19	BSP	35	63	14	35	62	230	170	0.24
P4048.G1/2-ZP	1/2"-14	BSP	40	72	16	40	71	340	240	0.36
P4048.G5/8-ZP	5/8"-14	BSP	40	72	16	40	71	700	500	0.36
P4048.G3/4-ZP	3/4"-14	BSP	50	90	20	50	90	1200	830	0.72
P4048.G7/8-ZP	7/8"-14	BSP	65	108	24	60	109	1500	1050	1.32
P4048.G1-ZP	1"-11	BSP	65	108	24	60	109	1800	1270	1.32
P4048.W1/4-ZP	1/4"-20	BSW	20	36	8	20	36	70	50	0.05



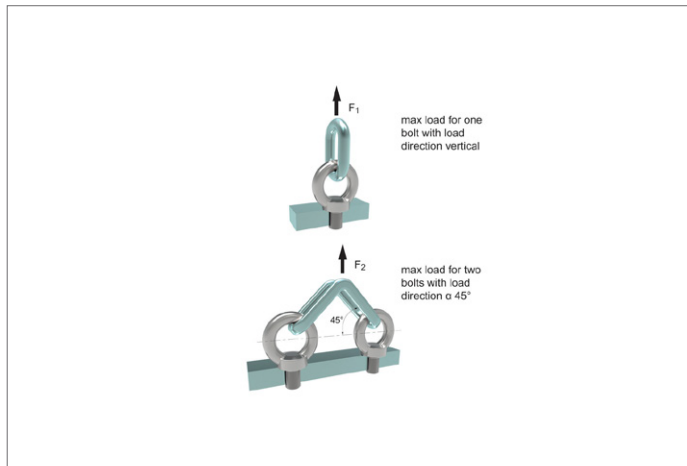
Steel Female Lifting Eye Bolts

inch sizes

Lifting Pins, Lifting Bolts &

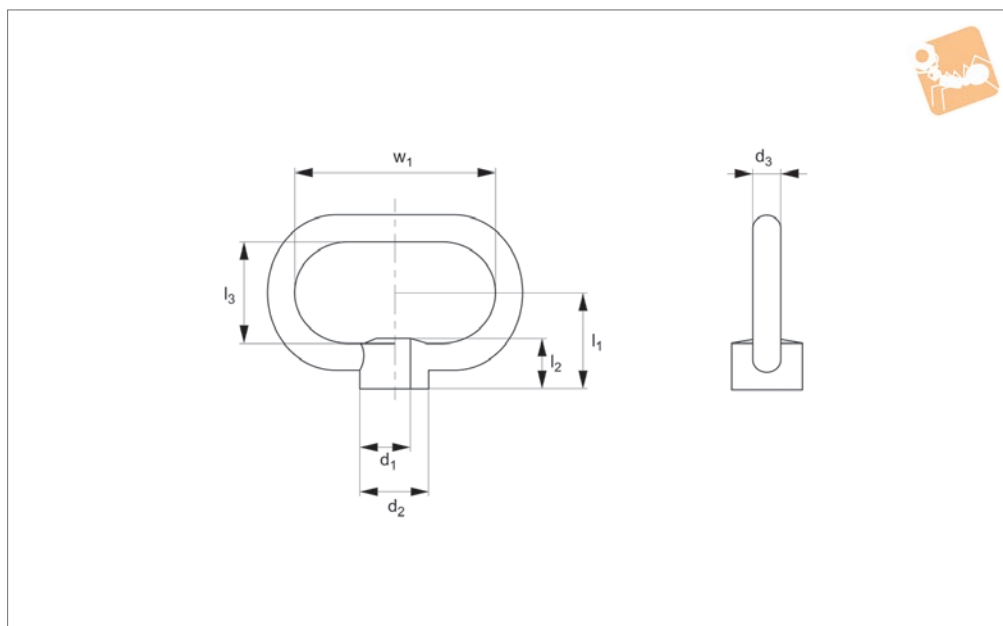
Order No.	d_1	Thread type	d_2	w_1	h_1	w_2	w_3	F_1 kg max.	F_2 kg max.	Weight kg
P4048.W5/16-ZP	5/16"-18	BSW	20	36	8	20	36	140	95	0.05
P4048.W3/8-ZP	3/8"-16	BSW	25	45	10	25	45	230	170	0.09
P4048.W1/2-ZP	1/2"-13	BSW	30	54	12	30	53	340	240	0.16
P4048.W5/8-ZP	5/8"-11	BSW	35	63	14	35	62	700	500	0.24
P4048.W3/4-ZP	3/4"-10	BSW	40	72	16	40	71	1200	830	0.36
P4048.W7/8-ZP	7/8"-9	BSW	50	90	20	50	90	1500	1050	0.72
P4048.W1-ZP	1"-8	BSW	50	90	20	50	90	1800	1270	0.72
P4048.W1-1/8-ZP	1-1/8"-7	BSW	65	108	24	60	109	2500	1650	1.32
P4048.W1-1/4-ZP	1-1/4"-7	BSW	75	126	28	70	128	4300	3200	2.08
P4048.W1-1/2-ZP	1-1/2"-6	BSW	85	144	32	80	147	6100	4300	3.11
P4048.W1-3/4-ZP	1-3/4"-5	BSW	100	166	38	90	168	8000	5500	5.02
P4048.W2-ZP	2"	BSW	100	166	38	90	168	9900	7300	5.02
P4048.W2-1/4-ZP	2-1/4"	BSW	110	184	42	100	187	11500	8300	6.69
P4048.W2-1/2-ZP	2-1/2"	BSW	120	206	48	110	208	16000	11000	9.30

LIFTING PINS, LIFTING BOLTS & SWING BOLTS





P4180



Material

Steel (C35N) zinc plated, or stainless steel (AISI 316, 1.4571).

Technical Notes

To DIN 28129.

Order No.	Material	d ₁	d ₂	w ₁	d ₃	l ₁	l ₂	l ₃	Weight kg
P4180.012	Steel	M12	14	48	100	25	50	0.45	35
P4180.016	Steel	M16	14	48	100	25	50	0.46	35
P4180.020	Steel	M20	16	50	100	28	50	0.63	40
P4180.024	Steel	M24	18	55	100	32	50	0.80	45
P4180.027	Steel	M27	20	58	100	35	50	1.00	50
P4180.030	Steel	M30	20	58	100	35	50	1.00	50
P4180.012-A4	Stainless	M12	14	48	100	25	50	0.45	35
P4180.016-A4	Stainless	M16	14	48	100	25	50	0.46	35
P4180.020-A4	Stainless	M20	16	50	100	28	50	0.63	40
P4180.024-A4	Stainless	M24	18	55	100	32	50	0.80	45
P4180.027-A4	Stainless	M27	20	58	100	35	50	1.00	50
P4180.030-A4	Stainless	M30	20	58	100	35	50	1.00	50



Product Overview

Swivel Lifting Rings

Lifting Bolts



Temperature extremes

- 40°C to -20°C Load rating reduces by 20%.
- +200°C to +300°C Load rating reduces by 10%.
- +300°C to +400°C Load rating reduces by 25%.

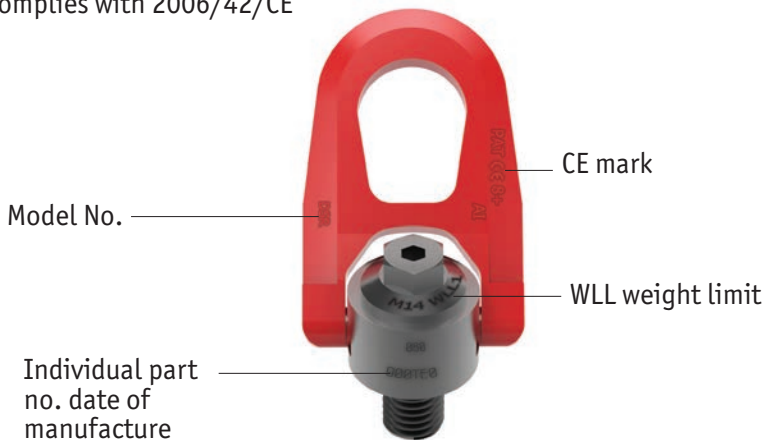
Rugged

For harsh environments we recommend the use of our stainless steel lifting rings.

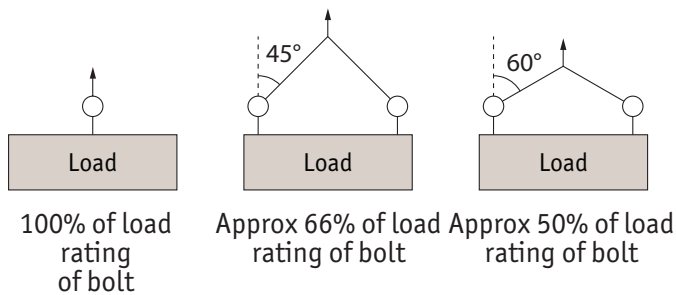
Product marking

Compliant with 2006/42/EC, and with individual date of manufacture and batch number.

Complies with 2006/42/CE



Lifting angles



For full information on lifting arrangements see technical pages

Steel and Stainless steel (316) versions



Steel



Stainless (316L)

P4020

Threads M8 – M30
Loads 0,3 tons to 3 tons.

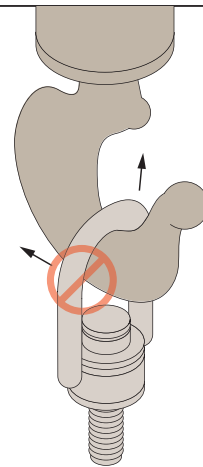


P4022

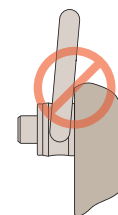
Threads M30 – M45
Loads 3,5 tons to 6 tons.



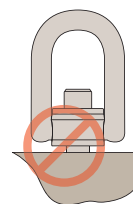
Installation Information



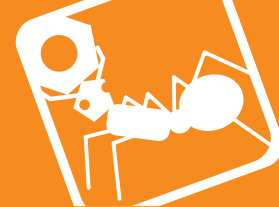
Never use an oversized hook or other lifting device which will pry or tend to open the "U" shaped bar on center pull hoist rings.



After installation, check the hoist ring to be sure it swivels and pivots freely in all directions. **The side of the ring must not contact anything.**



Always ensure full thread engagement when installing hoist rings. Also ensure face is flush.



P4002 Male



P4004 Female



Lifting type									$\alpha \text{ max.} = 60^\circ$ 		$\alpha \text{ max.} = 60^\circ$ 	
	1	2	1	2	2	2	4	4				
No. of rings	1	2	1	2	2	2	4	4				
Lifting angle	0°	0°	90°	90°	45°	60°	45°	60°				
Part no.	Thread											
P4002.M008 & P4004.M008	M 8		0,30 tons	0,60 tons	0,30 tons	0,60 tons	0,40 tons	0,30 tons	0,60 tons	0,30 tons		
P4002.M010 & P4004.M010	M10		0,60 tons	1,20 tons	0,60 tons	1,20 tons	0,80 tons	0,60 tons	1,30 tons	0,60 tons		
P4002.M012 & P4004.M012	M12		1,00 tons	2,00 tons	1,00 tons	2,00 tons	1,40 tons	1,00 tons	2,10 tons	1,00 tons		
P4002.M016 & P4004.M016	M16		1,60 tons	3,20 tons	1,60 tons	3,20 tons	2,20 tons	1,60 tons	3,40 tons	1,60 tons		
P4002.M020 & P4004.M020	M20		2,50 tons	5,00 tons	2,50 tons	5,00 tons	3,50 tons	2,50 tons	5,30 tons	2,50 tons		
P4002.M024 & P4004.M024	M24		4,00 tons	8,00 tons	4,00 tons	8,00 tons	5,60 tons	4,00 tons	8,40 tons	4,00 tons		
P4002.M030 & P4004.M030	M30		6,30 tons	12,60 tons	6,30 tons	12,60 tons	8,80 tons	6,30 tons	13,20 tons	6,30 tons		
P4002.M036 & P4004.M036	M36		10,00 tons	20,00 tons	10,00 tons	20,00 tons	14,00 tons	10,00 tons	21,00 tons	10,00 tons		
P4002.M042	M42		12,50 tons	25,00 tons	12,50 tons	25,00 tons	17,50 tons	12,50 tons	26,30 tons	12,50 tons		
P4002.M048	M48		15,00 tons	30,00 tons	15,00 tons	30,00 tons	21,00 tons	15,00 tons	31,50 tons	15,00 tons		

LIFTING PINS, LIFTING BOLTS & SWING BOLTS

ov-W63020-AP4002-T-W63024-AP4004-T lifting-bolts-single-lifting-rings-lmh-Updated - 19-01-2023

Technical Information

Double Swivel Lifting Rings

Lifting Bolts

P4005 Male



P4006 Female



Lifting type									α max. = 60°		α max. = 60°	
	1	2	1	2	2	2	4	4				
No. of rings	1	2	1	2	2	2	4	4				
Lifting angle	0°	0°	90°	90°	45°	60°	45°	60°				
Part no.	Thread											
P4005.M004	M 4	0,050 tons	0,100 tons	0,050 tons	0,100 tons	0,070 tons	0,050 tons	0,100 tons	0,050 tons			
P4005.M005	M 5	0,075 tons	0,150 tons	0,075 tons	0,150 tons	0,100 tons	0,075 tons	0,150 tons	0,075 tons			
P4005.M006	M 6	0,100 tons	0,200 tons	0,100 tons	0,200 tons	0,140 tons	0,100 tons	0,200 tons	0,100 tons			
P4005.M008 & P4006.M008	M 8	0,30 tons	0,60 tons	0,30 tons	0,60 tons	0,40 tons	0,30 tons	0,60 tons	0,30 tons			
P4005.M010 & P4006.M010	M10	0,60 tons	1,20 tons	0,60 tons	1,20 tons	0,80 tons	0,60 tons	1,30 tons	0,60 tons			
P4005.M012 & P4006.M012	M12	1,00 tons	2,00 tons	1,00 tons	2,00 tons	1,40 tons	1,00 tons	2,10 tons	1,00 tons			
P4005.M014 & P4006.M014	M14	1,30 tons	2,60 tons	1,30 tons	2,60 tons	1,80 tons	1,30 tons	2,70 tons	1,30 tons			
P4005.M016 & P4006.M016	M16	1,60 tons	3,20 tons	1,60 tons	3,20 tons	2,20 tons	1,60 tons	3,40 tons	1,60 tons			
P4005.M018 & P4006.M018	M18	2,00 tons	4,00 tons	2,00 tons	4,00 tons	2,80 tons	2,00 tons	4,20 tons	2,00 tons			
P4005.M020 & P4006.M020	M20	2,50 tons	5,00 tons	2,50 tons	5,00 tons	3,50 tons	2,50 tons	5,30 tons	2,50 tons			
P4005.M022 & P4006.M022	M22	3,00 tons	6,00 tons	3,00 tons	6,00 tons	4,20 tons	3,00 tons	6,30 tons	3,00 tons			
P4005.M024	M24	4,00 tons	8,00 tons	4,00 tons	8,00 tons	5,60 tons	4,00 tons	8,40 tons	4,00 tons			
P4005.M027	M27	5,00 tons	10,00 tons	5,00 tons	10,00 tons	7,00 tons	5,00 tons	10,50 tons	5,00 tons			
P4005.M030	M30	6,30 tons	12,60 tons	6,30 tons	12,60 tons	8,8 tons	6,30 tons	13,20 tons	6,30 tons			
P4005.I031 & P4006.I031	(UNC 5/16"-18)	650 lbs	1,300 lbs	650 lbs	1,300 lbs	910 lbs	650 lbs	1,365 lbs	650 lbs			
P4005.I037 & P4006.I037	(UNC 3/8"-16)	1,200 lbs	2,400 lbs	1,200 lbs	2,400 lbs	1,680 lbs	1,200 lbs	2,520 lbs	1,200 lbs			
P4005.I050 & P4006.I050	(UNC 1/2"-13)	2,200 lbs	4,400 lbs	2,200 lbs	4,400 lbs	3,080 lbs	2,200 lbs	4,620 lbs	2,200 lbs			
P4005.I063 & P4006.I063	(UNC 5/8"-11)	3,800 lbs	7,600 lbs	3,800 lbs	7,600 lbs	5,320 lbs	3,800 lbs	7,980 lbs	3,800 lbs			
P4005.I075 & P4006.I075	(UNC 3/4"-10)	5,500 lbs	11,000 lbs	5,500 lbs	11,000 lbs	7,700 lbs	5,500 lbs	11,550 lbs	5,500 lbs			
P4005.I088 & P4006.I088	(UNC 7/8"-9)	6,600 lbs	13,200 lbs	6,600 lbs	13,200 lbs	9,240 lbs	6,600 lbs	13,860 lbs	6,600 lbs			
P4005.I100	(UNC 1"-8)	10,000 lbs	20,000 lbs	10,000 lbs	20,000 lbs	14,000 lbs	10,000 lbs	21,000 lbs	10,000 lbs			

ov-W63050-AP4005-T-W63054-AP4006-T-lifting-bolts-double-lifting-rings-rmh - Updated 19.01.2023

LIFTING PINS, LIFTING BOLTS & SWING BOLTS



P4020 Male



P4021 Female



Lifting type									$\alpha \text{ max.} = 60^\circ$ 		$\alpha \text{ max.} = 60^\circ$ 	
	No. of rings	1	2	1	2	2	2	4	4			
Lifting angle	0°		0°		90°		90°		45°		60°	
Part no.	Thread											
P4020.M008 & P4021.M008	M 8		0,30 tons	0,60 tons	0,30 tons	0,60 tons	0,40 tons	0,30 tons	0,60 tons	0,30 tons		
P4020.M009	M 8		0,30 tons	0,60 tons	0,30 tons	0,60 tons	0,40 tons	0,30 tons	0,60 tons	0,30 tons		
P4020.M010 & P4021.M008	M10		0,50 tons	1,00 tons	0,50 tons	1,00 tons	0,70 tons	0,50 tons	1,10 tons	0,50 tons		
P4020.M011	M10		0,50 tons	1,00 tons	0,50 tons	1,00 tons	0,70 tons	0,50 tons	1,10 tons	0,50 tons		
P4020.M012 & P4021.M008	M12		0,80 tons	1,60 tons	0,80 tons	1,60 tons	1,10 tons	0,80 tons	1,70 tons	0,80 tons		
P4020.M013	M12		0,80 tons	1,60 tons	0,80 tons	1,60 tons	1,10 tons	0,80 tons	1,70 tons	0,80 tons		
P4020.M014 & P4021.M008	M14		1,00 tons	2,00 tons	1,00 tons	2,00 tons	1,40 tons	1,00 tons	2,10 tons	1,00 tons		
P4020.M016 & P4021.M008	M16		1,50 tons	3,00 tons	1,50 tons	3,00 tons	2,10 tons	1,50 tons	3,20 tons	1,50 tons		
P4020.M018 & P4021.M008	M18		1,50 tons	3,00 tons	1,50 tons	3,00 tons	2,10 tons	1,50 tons	3,20 tons	1,50 tons		
P4020.M020 & P4021.M008	M20		1,60 tons	3,20 tons	1,60 tons	3,20 tons	2,20 tons	1,60 tons	3,40 tons	1,60 tons		
P4020.M022 & P4021.M008	M22		2,00 tons	4,00 tons	2,00 tons	4,00 tons	2,80 tons	2,00 tons	4,20 tons	2,00 tons		
P4020.M024	M24		2,70 tons	5,40 tons	2,70 tons	5,40 tons	3,80 tons	2,70 tons	5,70 tons	2,70 tons		
P4020.M027	M27		2,80 tons	5,60 tons	2,80 tons	5,60 tons	3,90 tons	2,80 tons	5,90 tons	2,80 tons		
P4020.M030	M30		3,00 tons	6,00 tons	3,00 tons	6,00 tons	4,20 tons	3,00 tons	6,30 tons	3,00 tons		



Technical Information

Heavy Duty Double Swivel Lifting Rings



P4008 Male

P4010 Female



Lifting type									α max. = 60° 		α max. = 60° 	
	No. of rings	1	2	1	2	2	2	4	4			
Lifting angle	0°		0°		90°		90°		45°		60°	
Part no.	Thread											
P4008.M024 & P4010.M024	M24		4,50 tons	9,00 tons	4,50 tons	9,00 tons	6,30 tons	4,50 tons	9,50 tons	4,50 tons		
P4010.M027	M27		5,00 tons	10,00 tons	5,00 tons	10,00 tons	7,00 tons	5,00 tons	10,50 tons	5,00 tons		
P4008.M030 & P4010.M030	M30		7,30 tons	14,60 tons	7,30 tons	14,60 tons	10,20 tons	7,30 tons	15,30 tons	7,30 tons		
P4008.M033 & P4010.M033	M33		8,00 tons	16,00 tons	8,00 tons	16,00 tons	11,20 tons	8,00 tons	16,80 tons	8,00 tons		
P4008.M036 & P4010.M036	M36		10,00 tons	20,00 tons	10,00 tons	20,00 tons	14,00 tons	10,00 tons	21,00 tons	10,00 tons		
P4008.M037	M36		10,00 tons	20,00 tons	10,00 tons	20,00 tons	14,00 tons	10,00 tons	21,00 tons	10,00 tons		
P4008.M039 & P4010.M039	M39		10,00 tons	20,00 tons	10,00 tons	20,00 tons	14,00 tons	10,00 tons	21,00 tons	10,00 tons		
P4008.M042 & P4010.M042	M42		12,50 tons	25,00 tons	12,50 tons	25,00 tons	17,50 tons	12,50 tons	26,30 tons	12,50 tons		
P4008.M043	M42		12,50 tons	25,00 tons	12,50 tons	25,00 tons	17,50 tons	12,50 tons	26,30 tons	12,50 tons		
P4008.M045 & P4010.M045	M45		15,00 tons	30,00 tons	15,00 tons	30,00 tons	21,00 tons	15,00 tons	31,50 tons	15,00 tons		
P4008.M048 & P4010.M048	M48		20,00 tons	40,00 tons	20,00 tons	40,00 tons	28,00 tons	20,00 tons	42,00 tons	20,00 tons		
P4008.M049	M48		20,00 tons	40,00 tons	20,00 tons	40,00 tons	28,00 tons	20,00 tons	42,00 tons	20,00 tons		
P4008.M050	M50		20,00 tons	40,00 tons	20,00 tons	40,00 tons	28,00 tons	20,00 tons	42,00 tons	20,00 tons		
P4008.M052 & P4010.M052	M52		20,00 tons	40,00 tons	20,00 tons	40,00 tons	28,00 tons	20,00 tons	42,00 tons	20,00 tons		
P4008.M056	M56		25,00 tons	50,00 tons	25,00 tons	50,00 tons	35,00 tons	25,00 tons	52,50 tons	25,00 tons		
P4008.M057	M56		25,00 tons	50,00 tons	25,00 tons	50,00 tons	35,00 tons	25,00 tons	52,50 tons	25,00 tons		
P4008.M064	M64		32,10 tons	64,20 tons	32,10 tons	64,20 tons	44,90 tons	32,10 tons	67,40 tons	32,10 tons		
P4008.M065	M65		32,10 tons	64,20 tons	32,10 tons	64,20 tons	44,90 tons	32,10 tons	67,40 tons	32,10 tons		
P4008.M072	M72		25,00 tons	50,00 tons	25,00 tons	50,00 tons	35,00 tons	25,00 tons	52,50 tons	25,00 tons		
P4008.M073	M72		25,00 tons	50,00 tons	25,00 tons	50,00 tons	35,00 tons	25,00 tons	52,50 tons	25,00 tons		
P4008.M080	M80		32,10 tons	64,20 tons	32,10 tons	64,20 tons	44,90 tons	32,10 tons	67,40 tons	32,10 tons		
P4008.M090	M90		32,10 tons	64,20 tons	32,10 tons	64,20 tons	44,90 tons	32,10 tons	67,40 tons	32,10 tons		
P4008.M100	M100		32,10 tons	64,20 tons	32,10 tons	64,20 tons	44,90 tons	32,10 tons	67,40 tons	32,10 tons		
P4010.I100	(UNC 1"-8)		10,000 lbs	20,000 lbs	10,000 lbs	20,000 lbs	14,000 lbs	10,000 lbs	21,000 lbs	10,000 lbs		
P4008.I125 & P4010.I125	(UNC 1 1/4"-7)		14,000 lbs	28,000 lbs	14,000 lbs	28,000 lbs	19,600 lbs	14,000 lbs	29,400 lbs	14,000 lbs		
P4008.I137 & P4010.I137	(UNC 1 3/8"-6*)		20,000 lbs	40,000 lbs	20,000 lbs	40,000 lbs	28,000 lbs	20,000 lbs	42,000 lbs	20,000 lbs		
P4008.I150 & P4010.I150	(UNC 1 1/2"-6)		20,000 lbs	40,000 lbs	20,000 lbs	40,000 lbs	28,000 lbs	20,000 lbs	42,000 lbs	20,000 lbs		
P4008.I200 & P4010.I200	(UNC 2"-4 1/2)		50,000 lbs	100,000 lbs	50,000 lbs	100,000 lbs	70,000 lbs	50,000 lbs	105,000 lbs	50,000 lbs		

ov-W63080.1-AP4008-T-W63084-AP4010-T-lifting-bolts-heavy-duty-double-lifting-rings-rmh- Updated 19.01.2023

LIFTING PINS, LIFTING BOLTS & SWING BOLTS



P4011 Male



Lifting type	0°		90°		α max. = 60°		α max. = 60°			
	1	2	1	2	2	2	4	4		
No. of rings	1	2	1	2	2	2	4	4		
Lifting angle	0°	0°	90°	90°	45°	60°	45°	60°		
Part no.	Thread									
P4011.M064	M64		33,00 tons	66,00 tons	33,00 tons	66,00 tons	46,00 tons	33,00 tons	69,00 tons	33,00 tons
P4011.M072	M72		35,00 tons	70,00 tons	35,00 tons	70,00 tons	49,00 tons	35,00 tons	74,00 tons	35,00 tons
P4011.M073	M72		35,00 tons	70,00 tons	35,00 tons	70,00 tons	49,00 tons	35,00 tons	74,00 tons	35,00 tons
P4011.M080	M80		40,00 tons	80,00 tons	40,00 tons	80,00 tons	56,00 tons	40,00 tons	84,00 tons	40,00 tons
P4011.M090	M90		45,00 tons	90,00 tons	45,00 tons	90,00 tons	63,00 tons	45,00 tons	95,00 tons	45,00 tons
P4011.M100	M100		50,00 tons	100,00 tons	50,00 tons	100,00 tons	70,00 tons	50,00 tons	105,00 tons	50,00 tons
P4011.I225	(UNC 2"1/4-4)		55,000 lbs	110,000 lbs	55,000 lbs	110,000 lbs	77,000 lbs	55,000 lbs	115,500 lbs	55,000 lbs
P4011.I250	(UNC 2"1/2-4)		70,000 lbs	140,000 lbs	70,000 lbs	140,000 lbs	98,000 lbs	70,000 lbs	147,000 lbs	70,000 lbs
P4011.I275	(UNC 2"3/4-4)		75,000 lbs	150,000 lbs	75,000 lbs	150,000 lbs	105,000 lbs	75,000 lbs	157,500 lbs	75,000 lbs
P4011.I300	(UNC 3"-4)		80,000 lbs	160,000 lbs	80,000 lbs	160,000 lbs	112,000 lbs	80,000 lbs	168,000 lbs	80,000 lbs
P4011.I325	(UNC 3"1/4-4)		90,000 lbs	180,000 lbs	90,000 lbs	180,000 lbs	126,000 lbs	90,000 lbs	189,000 lbs	90,000 lbs
P4011.I350	(UNC 3"1/2-4)		95,000 lbs	190,000 lbs	95,000 lbs	190,000 lbs	133,000 lbs	95,000 lbs	199,500 lbs	95,000 lbs
P4011.I375	(UNC 3"3/4-4)		100,000 lbs	200,000 lbs	100,000 lbs	200,000 lbs	140,000 lbs	100,000 lbs	210,000 lbs	100,000 lbs
P4011.I400	(UNC 4"-4)		110,000 lbs	220,000 lbs	110,000 lbs	220,000 lbs	154,000 lbs	110,000 lbs	231,000 lbs	110,000 lbs

Technical Information

Heavy Duty Stainless Steel Double Swivel Lifting Rings

Lifting Bolts

P4022 Male



P4023 Female



Lifting type									α max. = 60° 		α max. = 60° 	
	1	2	1	2	2	2	4	4				
No. of rings	1	2	1	2	2	2	4	4				
Lifting angle	0°	0°	90°	90°	45°	60°	45°	60°				
Part no.	Thread											
P4023.M024	M24	2,70 tons	5,40 tons	2,70 tons	5,40 tons	3,80 tons	2,70 tons	5,70 tons	2,70 tons			
P4023.M027	M27	2,80 tons	5,60 tons	2,80 tons	5,60 tons	3,90 tons	2,80 tons	5,90 tons	2,80 tons			
P4022.M030 & P4023.M30	M30	3,50 tons	7,00 tons	3,50 tons	7,00 tons	4,90 tons	3,50 tons	7,30 tons	3,50 tons			
P4022.M033 & P4023.M33	M33	3,50 tons	7,00 tons	3,50 tons	7,00 tons	4,90 tons	3,50 tons	7,30 tons	3,50 tons			
P4022.M036 & P4023.M36	M36	5,00 tons	10,00 tons	5,00 tons	10,00 tons	7,00 tons	5,00 tons	10,50 tons	5,00 tons			
P4022.M037	M36	5,00 tons	10,00 tons	5,00 tons	10,00 tons	7,00 tons	5,00 tons	10,50 tons	5,00 tons			
P4022.M039	M39	5,00 tons	10,00 tons	5,00 tons	10,00 tons	7,00 tons	5,00 tons	10,50 tons	5,00 tons			
P4022.M042	M42	6,00 tons	12,00 tons	6,00 tons	12,00 tons	8,40 tons	6,00 tons	12,60 tons	6,00 tons			
P4022.M043	M42	6,00 tons	12,00 tons	6,00 tons	12,00 tons	8,40 tons	6,00 tons	12,60 tons	6,00 tons			
P4022.M045	M45	6,00 tons	12,00 tons	6,00 tons	12,00 tons	8,40 tons	6,00 tons	12,60 tons	6,00 tons			
P4022.I100 & P4023.I100	(UNC 1"-8)	6,000 lbs	12,000 lbs	6,000 lbs	12,000 lbs	8,400 lbs	6,000 lbs	12,600 lbs	6,000 lbs			
P4022.I125 & P4023.I125	(UNC 1 1/4"-7)	7,500 lbs	15,000 lbs	7,500 lbs	15,000 lbs	10,500 lbs	7,500 lbs	15,750 lbs	7,500 lbs			
P4022.I137 & P4023.I137	(UNC 1 3/8"-6)	7,500 lbs	15,000 lbs	7,500 lbs	15,000 lbs	10,500 lbs	7,500 lbs	15,750 lbs	7,500 lbs			
P4022.I150	(UNC 1 1/2"-6)	11,000 lbs	22,000 lbs	11,000 lbs	22,000 lbs	15,400 lbs	11,000 lbs	23,100 lbs	11,000 lbs			

ov-W63210-AP4022-T-W63214-AP4023-T-lifting-bolts-stainless-heavy-duty-double-ring-rmh- Updated 19.01.2023

LIFTING PINS, LIFTING BOLTS & SWING BOLTS



P4012 Male



LIFTING PINS, LIFTING BOLTS & SWING BOLTS

Lifting type	0°		90°		α max. = 60°		α max. = 60°		
	1	2	1	2	2	2	4	4	
No. of rings	1	2	1	2	2	2	4	4	
Lifting angle	0°	0°	90°	90°	45°	60°	45°	60°	
Part no.	Thread								
P4012.M008	M 8	0,30 tons	0,60 tons	0,30 tons	0,60 tons	0,40 tons	0,30 tons	0,60 tons	0,30 tons
P4012.M010	M10	0,60 tons	1,20 tons	0,60 tons	1,20 tons	0,80 tons	0,60 tons	1,30 tons	0,60 tons
P4012.M012	M12	1,00 tons	2,00 tons	1,00 tons	2,00 tons	1,40 tons	1,00 tons	2,10 tons	1,00 tons
P4012.M014	M14	1,30 tons	2,60 tons	1,30 tons	2,60 tons	1,80 tons	1,30 tons	2,70 tons	1,30 tons
P4012.M016	M16	1,60 tons	3,20 tons	1,60 tons	3,20 tons	2,20 tons	1,60 tons	3,40 tons	1,60 tons
P4012.M018	M18	2,00 tons	4,00 tons	2,00 tons	4,00 tons	2,80 tons	2,00 tons	4,20 tons	2,00 tons
P4012.M020	M20	2,50 tons	5,00 tons	2,50 tons	5,00 tons	3,50 tons	2,50 tons	5,30 tons	2,50 tons
P4012.I031	(UNC 5/16"-18)	650 lbs	1,300 lbs	650 lbs	1,300 lbs	910 lbs	650 lbs	1,365 lbs	650 lbs
P4012.I037	(UNC 3/8"-16)	1,200 lbs	2,400 lbs	1,200 lbs	2,400 lbs	1,680 lbs	1,200 lbs	2,520 lbs	1,200 lbs
P4012.I050	(UNC 1/2"-13)	2,200 lbs	4,400 lbs	2,200 lbs	4,400 lbs	3,080 lbs	2,200 lbs	4,620 lbs	2,200 lbs
P4012.I063	(UNC 5/8"-11)	3,800 lbs	7,600 lbs	3,800 lbs	7,600 lbs	5,320 lbs	3,800 lbs	7,980 lbs	3,800 lbs
P4012.I075	(UNC 3/4"-10)	5,500 lbs	11,000 lbs	5,500 lbs	11,000 lbs	7,700 lbs	5,500 lbs	11,550 lbs	5,500 lbs



Technical Information

Hook Double Swivel Lifting Rings

Lifting Bolts



P4017 Male



Lifting type	0°		90°		α max. = 60°		α max. = 60°		
	1	2	1	2	2	2	4	4	
No. of rings	1	2	1	2	2	2	4	4	
Lifting angle	0°	0°	90°	90°	45°	60°	45°	60°	
Part no.	Thread								
P4017.M008	M 8	0,30 tons	0,60 tons	0,30 tons	0,60 tons	0,40 tons	0,30 tons	0,60 tons	0,30 tons
P4017.M010	M10	0,60 tons	1,20 tons	0,60 tons	1,20 tons	0,80 tons	0,60 tons	1,30 tons	0,60 tons
P4017.M012	M12	1,00 tons	2,00 tons	1,00 tons	2,00 tons	1,40 tons	1,00 tons	2,10 tons	1,00 tons
P4017.M014	M14	1,30 tons	2,60 tons	1,30 tons	2,60 tons	1,80 tons	1,30 tons	2,70 tons	1,30 tons
P4017.M016	M16	1,60 tons	3,20 tons	1,60 tons	3,20 tons	2,20 tons	1,60 tons	3,40 tons	1,60 tons
P4017.M018	M18	2,00 tons	4,00 tons	2,00 tons	4,00 tons	2,80 tons	2,00 tons	4,20 tons	2,00 tons
P4017.M020	M20	2,50 tons	5,00 tons	2,50 tons	5,00 tons	3,50 tons	2,50 tons	5,30 tons	2,50 tons
P4017.I031	(UNC 5/16"-18)	650 lbs	1,300 lbs	650 lbs	1,300 lbs	910 lbs	650 lbs	1,365 lbs	650 lbs
P4017.I038	(UNC 3/8"-16)	1,200 lbs	2,400 lbs	1,200 lbs	2,400 lbs	1,680 lbs	1,200 lbs	2,520 lbs	1,200 lbs
P4017.I050	(UNC 1/2"-13)	2,200 lbs	4,400 lbs	2,200 lbs	4,400 lbs	3,080 lbs	2,200 lbs	4,620 lbs	2,200 lbs
P4017.I063	(UNC 5/8"-11)	3,800 lbs	7,600 lbs	3,800 lbs	7,600 lbs	5,320 lbs	3,800 lbs	7,980 lbs	3,800 lbs
P4017.I075	(UNC 3/4"-10)	5,500 lbs	11,000 lbs	5,500 lbs	11,000 lbs	7,700 lbs	5,500 lbs	11,550 lbs	5,500 lbs

LIFTING PINS, LIFTING BOLTS & SWING BOLTS