

P1240

OTHER PINS

Material

Mild steel (zinc-plated).

pins require a loose fit, and as a result the metric versions can also be for inch sizes.

H14 (under this diameter recommended tolerance is H13).

Technical Notes

To DIN 94 (equivalent to ISO 1234). Cotter

Recommended hole tolerance for d_1 1,6 is

Order No.	d_1 nom.	d_1 min.	d_1 max.	d_2 max.	l_1	l_2 max.	l_3 ≈
P1240.010-006	1	0.8	0.9	1.8	6	1.6	3
P1240.010-008	1	0.8	0.9	1.8	8	1.6	3
P1240.010-010	1	0.8	0.9	1.8	10	1.6	3
P1240.010-012	1	0.8	0.9	1.8	12	1.6	3
P1240.010-016	1	0.8	0.9	1.8	16	1.6	3
P1240.010-018	1	0.8	0.9	1.8	18	1.6	3
P1240.010-020	1	0.8	0.9	1.8	20	1.6	3
P1240.010-022	1	0.8	0.9	1.8	22	1.6	3
P1240.010-025	1	0.8	0.9	1.8	25	1.6	3
P1240.010-028	1	0.8	0.9	1.8	28	1.6	3
P1240.010-032	1	0.8	0.9	1.8	32	1.6	3
P1240.010-036	1	0.8	0.9	1.8	36	1.6	3
P1240.012-010	1.2	1.0	1.09	2.0	10	2.5	3
P1240.012-012	1.2	1.0	1.09	2.0	12	2.5	3
P1240.012-016	1.2	1.0	1.09	2.0	16	2.5	3
P1240.012-018	1.2	1.0	1.09	2.0	18	2.5	3
P1240.012-020	1.2	1.0	1.09	2.0	20	2.5	3
P1240.012-022	1.2	1.0	1.09	2.0	22	2.5	3
P1240.012-025	1.2	1.0	1.09	2.0	25	2.5	3
P1240.012-028	1.2	1.0	1.09	2.0	28	2.5	3
P1240.012-032	1.2	1.0	1.09	2.0	32	2.5	3
P1240.012-036	1.2	1.0	1.09	2.0	36	2.5	3
P1240.016-010	1.6	1.3	1.4	2.8	10	2.5	3.2
P1240.016-012	1.6	1.3	1.4	2.8	12	2.5	3.2
P1240.016-016	1.6	1.3	1.4	2.8	16	2.5	3.2
P1240.016-018	1.6	1.3	1.4	2.8	18	2.5	3.2
P1240.016-020	1.6	1.3	1.4	2.8	20	2.5	3.2
P1240.016-022	1.6	1.3	1.4	2.8	22	2.5	3.2
P1240.016-025	1.6	1.3	1.4	2.8	25	2.5	3.2
P1240.016-028	1.6	1.3	1.4	2.8	28	2.5	3.2
P1240.016-032	1.6	1.3	1.4	2.8	32	2.5	3.2
P1240.016-036	1.6	1.3	1.4	2.8	36	2.5	3.2
P1240.016-040	1.6	1.3	1.4	2.8	40	2.5	3.2
P1240.020-010	2	1.7	1.8	3.6	10	2.5	4.0



Order No.	d ₁ nom.	d ₁ min.	d ₁ max.	d ₂ max.	l ₁	l ₂ max.	l ₃ ≈
P1240.020-012	2	1.7	1.8	3.6	12	2.5	4.0
P1240.020-016	2	1.7	1.8	3.6	16	2.5	4.0
P1240.020-018	2	1.7	1.8	3.6	18	2.5	4.0
P1240.020-020	2	1.7	1.8	3.6	20	2.5	4.0
P1240.020-022	2	1.7	1.8	3.6	22	2.5	4.0
P1240.020-025	2	1.7	1.8	3.6	25	2.5	4.0
P1240.020-028	2	1.7	1.8	3.6	28	2.5	4.0
P1240.020-032	2	1.7	1.8	3.6	32	2.5	4.0
P1240.020-036	2	1.7	1.8	3.6	36	2.5	4.0
P1240.020-040	2	1.7	1.8	3.6	40	2.5	4.0
P1240.020-045	2	1.7	1.8	3.6	45	2.5	4.0
P1240.020-050	2	1.7	1.8	3.6	50	2.5	4.0
P1240.025-010	2.5	2.1	2.3	4.6	10	2.5	5.0
P1240.025-012	2.5	2.1	2.3	4.6	12	2.5	5.0
P1240.025-016	2.5	2.1	2.3	4.6	16	2.5	5.0
P1240.025-018	2.5	2.1	2.3	4.6	18	2.5	5.0
P1240.025-020	2.5	2.1	2.3	4.6	20	2.5	5.0
P1240.025-022	2.5	2.1	2.3	4.6	22	2.5	5.0
P1240.025-025	2.5	2.1	2.3	4.6	25	2.5	5.0
P1240.025-028	2.5	2.1	2.3	4.6	28	2.5	5.0
P1240.025-032	2.5	2.1	2.3	4.6	32	2.5	5.0
P1240.025-036	2.5	2.1	2.3	4.6	36	2.5	5.0
P1240.025-040	2.5	2.1	2.3	4.6	40	2.5	5.0
P1240.025-045	2.5	2.1	2.3	4.6	45	2.5	5.0
P1240.025-050	2.5	2.1	2.3	4.6	50	2.5	5.0
P1240.025-056	2.5	2.1	2.3	4.6	56	2.5	5.0
P1240.025-063	2.5	2.1	2.3	4.6	63	2.5	5.0
P1240.025-071	2.5	2.1	2.3	4.6	71	2.5	5.0
P1240.032-016	3.2	2.7	2.9	5.8	16	3.2	6.4
P1240.032-018	3.2	2.7	2.9	5.8	18	3.2	6.4
P1240.032-020	3.2	2.7	2.9	5.8	20	3.2	6.4
P1240.032-022	3.2	2.7	2.9	5.8	22	3.2	6.4
P1240.032-025	3.2	2.7	2.9	5.8	25	3.2	6.4
P1240.032-028	3.2	2.7	2.9	5.8	28	3.2	6.4
P1240.032-033	3.2	2.7	2.9	5.8	33	3.2	6.4
P1240.032-036	3.2	2.7	2.9	5.8	36	3.2	6.4
P1240.032-040	3.2	2.7	2.9	5.8	40	3.2	6.4
P1240.032-045	3.2	2.7	2.9	5.8	45	3.2	6.4
P1240.032-050	3.2	2.7	2.9	5.8	50	3.2	6.4
P1240.032-056	3.2	2.7	2.9	5.8	56	3.2	6.4
P1240.032-063	3.2	2.7	2.9	5.8	63	3.2	6.4
P1240.032-071	3.2	2.7	2.9	5.8	71	3.2	6.4
P1240.040-016	4	3.5	3.7	7.4	16	4.0	8.0
P1240.040-018	4	3.5	3.7	7.4	18	4.0	8.0
P1240.040-020	4	3.5	3.7	7.4	20	4.0	8.0
P1240.040-022	4	3.5	3.7	7.4	22	4.0	8.0
P1240.040-025	4	3.5	3.7	7.4	25	4.0	8.0
P1240.040-028	4	3.5	3.7	7.4	28	4.0	8.0
P1240.040-032	4	3.5	3.7	7.4	32	4.0	8.0
P1240.040-036	4	3.5	3.7	7.4	36	4.0	8.0
P1240.040-040	4	3.5	3.7	7.4	40	4.0	8.0
P1240.040-045	4	3.5	3.7	7.4	45	4.0	8.0
P1240.040-050	4	3.5	3.7	7.4	50	4.0	8.0
P1240.040-056	4	3.5	3.7	7.4	56	4.0	8.0
P1240.040-063	4	3.5	3.7	7.4	63	4.0	8.0
P1240.040-071	4	3.5	3.7	7.4	71	4.0	8.0
P1240.040-080	4	3.5	3.7	7.4	80	4.0	8.0
P1240.040-090	4	3.5	3.7	7.4	90	4.0	8.0
P1240.040-112	4	3.5	3.7	7.4	112	4.0	8.0
P1240.040-125	4	3.5	3.7	7.4	125	4.0	8.0
P1240.050-016	5	4.4	4.6	9.2	16	4.0	10.0
P1240.050-018	5	4.4	4.6	9.2	18	4.0	10.0
P1240.050-020	5	4.4	4.6	9.2	20	4.0	10.0
P1240.050-022	5	4.4	4.6	9.2	22	4.0	10.0
P1240.050-025	5	4.4	4.6	9.2	25	4.0	10.0
P1240.050-028	5	4.4	4.6	9.2	28	4.0	10.0
P1240.050-032	5	4.4	4.6	9.2	32	4.0	10.0
P1240.050-036	5	4.4	4.6	9.2	36	4.0	10.0

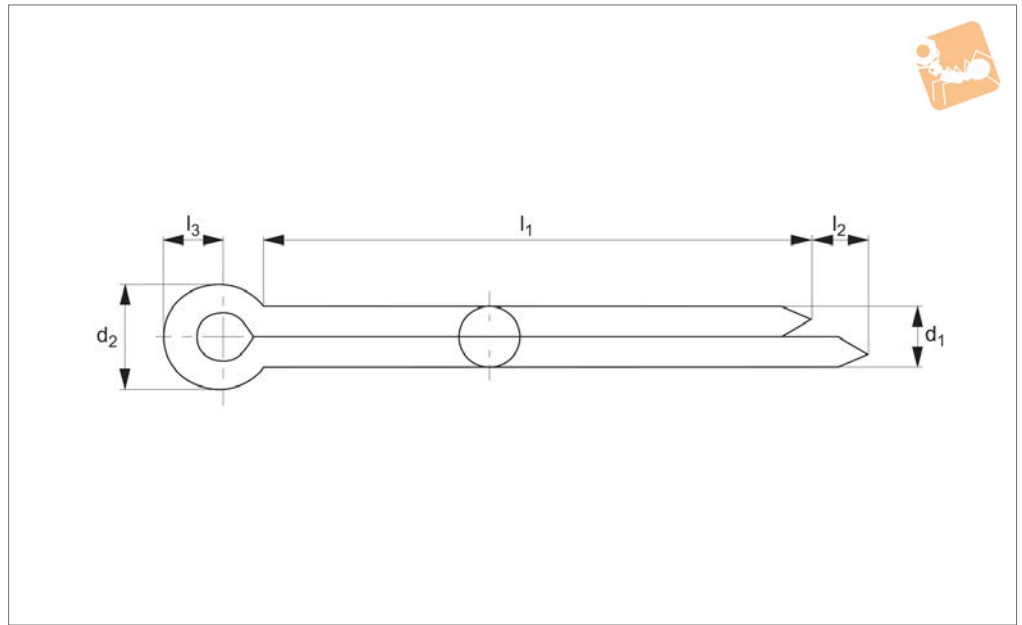


Order No.	d ₁ nom.	d ₁ min.	d ₁ max.	d ₂ max.	l ₁	l ₂ max.	l ₃ ≈
P1240.050-040	5	4.4	4.6	9.2	40	4.0	10.0
P1240.050-045	5	4.4	4.6	9.2	45	4.0	10.0
P1240.050-050	5	4.4	4.6	9.2	50	4.0	10.0
P1240.050-056	5	4.4	4.6	9.2	56	4.0	10.0
P1240.050-063	5	4.4	4.6	9.2	63	4.0	10.0
P1240.050-071	5	4.4	4.6	9.2	71	4.0	10.0
P1240.050-080	5	4.4	4.6	9.2	80	4.0	10.0
P1240.050-090	5	4.4	4.6	9.2	90	4.0	10.0
P1240.050-112	5	4.4	4.6	9.2	112	4.0	10.0
P1240.050-125	5	4.4	4.6	9.2	125	4.0	10.0
P1240.063-020	6	5.7	5.9	11.8	20	4.0	12.6
P1240.063-022	6	5.7	5.9	11.8	22	4.0	12.6
P1240.063-026	6	5.7	5.9	11.8	26	4.0	12.6
P1240.063-028	6	5.7	5.9	11.8	28	4.0	12.6
P1240.063-032	6	5.7	5.9	11.8	32	4.0	12.6
P1240.063-036	6	5.7	5.9	11.8	36	4.0	12.6
P1240.063-040	6	5.7	5.9	11.8	40	4.0	12.6
P1240.063-045	6	5.7	5.9	11.8	45	4.0	12.6
P1240.063-050	6	5.7	5.9	11.8	50	4.0	12.6
P1240.063-056	6	5.7	5.9	11.8	56	4.0	12.6
P1240.063-063	6	5.7	5.9	11.8	63	4.0	12.6
P1240.063-071	6	5.7	5.9	11.8	71	4.0	12.6
P1240.063-080	6	5.7	5.9	11.8	80	4.0	12.6
P1240.063-090	6	5.7	5.9	11.8	90	4.0	12.6
P1240.063-112	6	5.7	5.9	11.8	112	4.0	12.6
P1240.063-125	6	5.7	5.9	11.8	125	4.0	12.6
P1240.063-140	6	5.7	5.9	11.8	140	4.0	12.6
P1240.080-032	8	7.3	7.5	15	32	4.0	16.0
P1240.080-036	8	7.3	7.5	15	36	4.0	16.0
P1240.080-040	8	7.3	7.5	15	40	4.0	16.0
P1240.080-045	8	7.3	7.5	15	45	4.0	16.0
P1240.080-050	8	7.3	7.5	15	50	4.0	16.0
P1240.080-056	8	7.3	7.5	15	56	4.0	16.0
P1240.080-063	8	7.3	7.5	15	63	4.0	16.0
P1240.080-071	8	7.3	7.5	15	71	4.0	16.0
P1240.080-080	8	7.3	7.5	15	80	4.0	16.0
P1240.080-090	8	7.3	7.5	15	90	4.0	16.0
P1240.080-112	8	7.3	7.5	15	112	4.0	16.0
P1240.080-125	8	7.3	7.5	15	125	4.0	16.0
P1240.080-140	8	7.3	7.5	15	140	4.0	16.0
P1240.080-160	8	7.3	7.5	15	160	4.0	16.0
P1240.100-032	10	9.3	9.5	19	32	6.3	20.0
P1240.100-036	10	9.3	9.5	19	36	6.3	20.0
P1240.100-040	10	9.3	9.5	19	40	6.3	20.0
P1240.100-045	10	9.3	9.5	19	45	6.3	20.0
P1240.100-050	10	9.3	9.5	19	50	6.3	20.0
P1240.100-056	10	9.3	9.5	19	56	6.3	20.0
P1240.100-063	10	9.3	9.5	19	63	6.3	20.0
P1240.100-071	10	9.3	9.5	19	71	6.3	20.0
P1240.100-080	10	9.3	9.5	19	80	6.3	20.0
P1240.100-090	10	9.3	9.5	19	90	6.3	20.0
P1240.100-112	10	9.3	9.5	19	112	6.3	20.0
P1240.100-125	10	9.3	9.5	19	125	6.3	20.0
P1240.100-140	10	9.3	9.5	19	140	6.3	20.0
P1240.100-160	10	9.3	9.5	19	160	6.3	20.0
P1240.120-045	12	12.1	12.4	24.8	45	6.3	26.0
P1240.120-050	12	12.1	12.4	24.8	50	6.3	26.0
P1240.120-056	12	12.1	12.4	24.8	56	6.3	26.0
P1240.120-063	12	12.1	12.4	24.8	63	6.3	26.0
P1240.120-071	12	12.1	12.4	24.8	71	6.3	26.0
P1240.120-080	12	12.1	12.4	24.8	80	6.3	26.0
P1240.120-090	12	12.1	12.4	24.8	90	6.3	26.0
P1240.120-112	12	12.1	12.4	24.8	112	6.3	26.0
P1240.120-125	12	12.1	12.4	24.8	125	6.3	26.0
P1240.120-140	12	12.1	12.4	24.8	140	6.3	26.0
P1240.120-160	12	12.1	12.4	24.8	160	6.3	26.0

OTHER PINS



P1241



Material

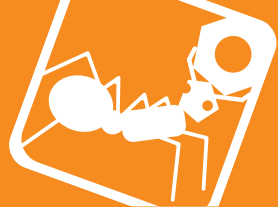
Stainless steel (A2, AISI 303).

pins require a loose fit, and as a result the metric versions can also be for inch sizes.

Technical Notes

To DIN 94 (equivalent to ISO 1234). Cotter

Order No.	d ₁ nom.	d ₂ max.	l ₁	l ₂ max.	l ₃ ≈
P1241.010-006	1	1.8	6	1.6	3.0
P1241.010-008	1	1.8	8	1.6	3.0
P1241.010-010	1	1.8	10	1.6	3.0
P1241.010-012	1	1.8	12	1.6	3.0
P1241.010-016	1	1.8	16	1.6	3.0
P1241.010-018	1	1.8	18	1.6	3.0
P1241.010-020	1	1.8	20	1.6	3.0
P1241.010-022	1	1.8	22	1.6	3.0
P1241.010-025	1	1.8	25	1.6	3.0
P1241.010-028	1	1.8	28	1.6	3.0
P1241.010-032	1	1.8	32	1.6	3.0
P1241.010-036	1	1.8	36	1.6	3.0
P1241.012-010	1.2	2	10	2.5	3.0
P1241.012-012	1.2	2	12	2.5	3.0
P1241.012-016	1.2	2	16	2.5	3.0
P1241.012-018	1.2	2	18	2.5	3.0
P1241.012-020	1.2	2	20	2.5	3.0
P1241.012-022	1.2	2	22	2.5	3.0
P1241.012-025	1.2	2	25	2.5	3.0
P1241.012-028	1.2	2	28	2.5	3.0
P1241.012-032	1.2	2	32	2.5	3.0
P1241.012-036	1.2	2	36	2.5	3.0
P1241.016-010	1.6	2.8	10	2.5	3.2
P1241.016-012	1.6	2.8	12	2.5	3.2
P1241.016-016	1.6	2.8	16	2.5	3.2
P1241.016-018	1.6	2.8	18	2.5	3.2
P1241.016-020	1.6	2.8	20	2.5	3.2
P1241.016-022	1.6	2.8	22	2.5	3.2
P1241.016-025	1.6	2.8	25	2.5	3.2
P1241.016-028	1.6	2.8	28	2.5	3.2
P1241.016-032	1.6	2.8	32	2.5	3.2
P1241.016-036	1.6	2.8	36	2.5	3.2
P1241.016-040	1.6	2.8	40	2.5	3.2
P1241.020-010	2	3.6	10	2.5	4.0

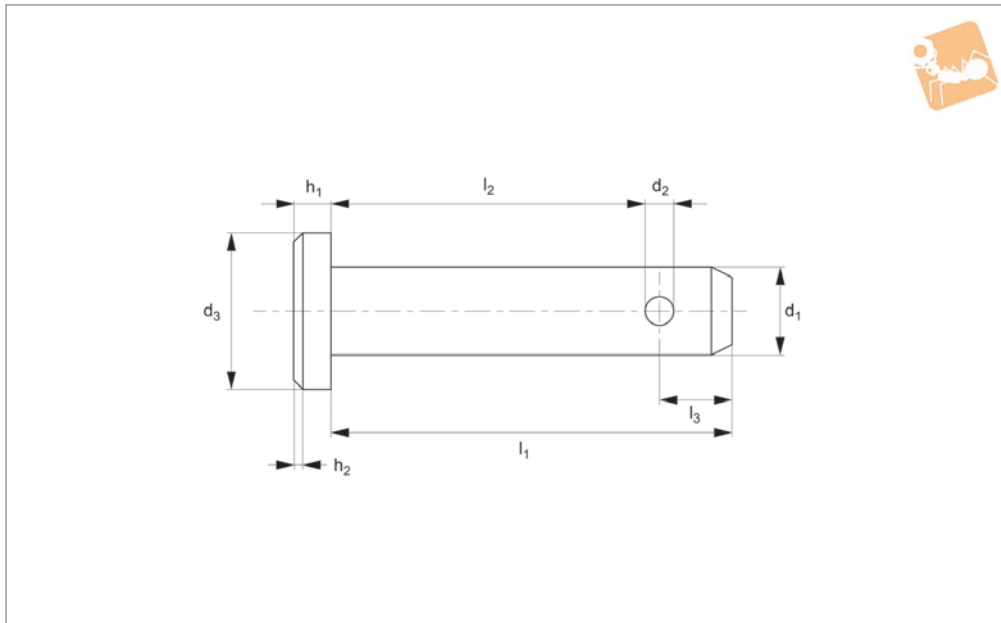


Order No.	d ₁ nom.	d ₂ max.	l ₁	l ₂ max.	l ₃ ≈
P1241.020-012	2	3.6	12	2.5	4.0
P1241.020-016	2	3.6	16	2.5	4.0
P1241.020-018	2	3.6	18	2.5	4.0
P1241.020-020	2	3.6	20	2.5	4.0
P1241.020-022	2	3.6	22	2.5	4.0
P1241.020-025	2	3.6	25	2.5	4.0
P1241.020-028	2	3.6	28	2.5	4.0
P1241.020-032	2	3.6	32	2.5	4.0
P1241.020-036	2	3.6	36	2.5	4.0
P1241.020-040	2	3.6	40	2.5	4.0
P1241.020-045	2	3.6	45	2.5	4.0
P1241.020-050	2	3.6	50	2.5	4.0
P1241.025-010	2.5	4.6	10	2.5	5.0
P1241.025-012	2.5	4.6	12	2.5	5.0
P1241.025-016	2.5	4.6	16	2.5	5.0
P1241.025-018	2.5	4.6	18	2.5	5.0
P1241.025-020	2.5	4.6	20	2.5	5.0
P1241.025-022	2.5	4.6	22	2.5	5.0
P1241.025-025	2.5	4.6	25	2.5	5.0
P1241.025-028	2.5	4.6	28	2.5	5.0
P1241.025-032	2.5	4.6	32	2.5	5.0
P1241.025-036	2.5	4.6	36	2.5	5.0
P1241.025-040	2.5	4.6	40	2.5	5.0
P1241.025-045	2.5	4.6	45	2.5	5.0
P1241.025-050	2.5	4.6	50	2.5	5.0
P1241.025-056	2.5	4.6	56	2.5	5.0
P1241.025-063	2.5	4.6	63	2.5	5.0
P1241.025-071	2.5	4.6	71	2.5	5.0
P1241.032-016	3.2	5.8	16	3.2	6.4
P1241.032-018	3.2	5.8	18	3.2	6.4
P1241.032-020	3.2	5.8	20	3.2	6.4
P1241.032-022	3.2	5.8	22	3.2	6.4
P1241.032-026	3.2	5.8	26	3.2	6.4
P1241.032-028	3.2	5.8	28	3.2	6.4
P1241.032-032	3.2	5.8	32	3.2	6.4
P1241.032-036	3.2	5.8	36	3.2	6.4
P1241.032-040	3.2	5.8	40	3.2	6.4
P1241.032-045	3.2	5.8	45	3.2	6.4
P1241.032-050	3.2	5.8	50	3.2	6.4
P1241.032-056	3.2	5.8	56	3.2	6.4
P1241.032-063	3.2	5.8	63	3.2	6.4
P1241.032-071	3.2	5.8	71	3.2	6.4
P1241.040-016	4	7.4	16	4.0	8.0
P1241.040-018	4	7.4	18	4.0	8.0
P1241.040-020	4	7.4	20	4.0	8.0
P1241.040-022	4	7.4	22	4.0	8.0
P1241.040-025	4	7.4	25	4.0	8.0
P1241.040-028	4	7.4	28	4.0	8.0
P1241.040-032	4	7.4	32	4.0	8.0
P1241.040-036	4	7.4	36	4.0	8.0
P1241.040-040	4	7.4	40	4.0	8.0
P1241.040-045	4	7.4	45	4.0	8.0
P1241.040-050	4	7.4	50	4.0	8.0
P1241.040-056	4	7.4	56	4.0	8.0
P1241.040-063	4	7.4	63	4.0	8.0
P1241.040-071	4	7.4	71	4.0	8.0
P1241.040-080	4	7.4	80	4.0	8.0
P1241.040-090	4	7.4	90	4.0	8.0
P1241.040-112	4	7.4	112	4.0	8.0
P1241.040-125	4	7.4	125	4.0	8.0
P1241.050-016	5	9.2	16	4.0	10
P1241.050-018	5	9.2	18	4.0	10
P1241.050-020	5	9.2	20	4.0	10
P1241.050-022	5	9.2	22	4.0	10
P1241.050-025	5	9.2	25	4.0	10
P1241.050-028	5	9.2	28	4.0	10
P1241.050-032	5	9.2	32	4.0	10
P1241.050-036	5	9.2	36	4.0	10

OTHER PINS



Order No.	d ₁ nom.	d ₂ max.	l ₁	l ₂ max.	l ₃ ≈
P1241.050-040	5	9.2	40	4.0	10
P1241.050-045	5	9.2	45	4.0	10
P1241.050-050	5	9.2	50	4.0	10
P1241.050-056	5	9.2	56	4.0	10
P1241.050-063	5	9.2	63	4.0	10
P1241.050-071	5	9.2	71	4.0	10
P1241.050-080	5	9.2	80	4.0	10
P1241.050-090	5	9.2	90	4.0	10
P1241.050-112	5	9.2	112	4.0	10
P1241.050-125	5	9.2	125	4.0	10
P1241.063-020	6.3	11.8	20	4.0	12.6
P1241.063-022	6.3	11.8	22	4.0	12.6
P1241.063-026	6.3	11.8	26	4.0	12.6
P1241.063-028	6.3	11.8	28	4.0	12.6
P1241.063-032	6.3	11.8	32	4.0	12.6
P1241.063-036	6.3	11.8	36	4.0	12.6
P1241.063-040	6.3	11.8	40	4.0	12.6
P1241.063-045	6.3	11.8	45	4.0	12.6
P1241.063-050	6.3	11.8	50	4.0	12.6
P1241.063-056	6.3	11.8	56	4.0	12.6
P1241.063-063	6.3	11.8	63	4.0	12.6
P1241.063-071	6.3	11.8	71	4.0	12.6
P1241.063-080	6.3	11.8	80	4.0	12.6
P1241.063-090	6.3	11.8	90	4.0	12.6
P1241.063-112	6.3	11.8	112	4.0	12.6
P1241.063-125	6.3	11.8	125	4.0	12.6
P1241.063-140	6.3	11.8	140	4.0	12.6



P1242

OTHER PINS

Material

Mild steel, zinc-plated.

Technical Notes

To DIN 1444 B (ISO 2341 form B). The grip

length is l_2 .

l_1 tolerances:-
up to 10mm long $\pm 0,25$
12-50mm long $\pm 0,50$

over 50mm long $\pm 0,75$.

Tips

For use with cotter pins (P1240 or P1241) or retaining pins (P1243).

Order No.	d_1 tol. h11	d_2	d_3	h_1	h_2	l_1	l_2	l_3
P1242.050-010	5	1.2	8.0	1.6	0.5	10	6.5	2.9
P1242.050-012	5	1.2	8.0	1.6	0.5	12	8.5	2.9
P1242.050-016	5	1.2	8.0	1.6	0.5	16	12.5	2.9
P1242.050-018	5	1.2	8.0	1.6	0.5	18	14.5	2.9
P1242.050-020	5	1.2	8.0	1.6	0.5	20	16.5	2.9
P1242.050-022	5	1.2	8.0	1.6	0.5	22	18.5	2.9
P1242.050-024	5	1.2	8.0	1.6	0.5	24	20.5	2.9
P1242.050-026	5	1.2	8.0	1.6	0.5	26	22.5	2.9
P1242.050-028	5	1.2	8.0	1.6	0.5	28	24.5	2.9
P1242.050-030	5	1.2	8.0	1.6	0.5	30	26.5	2.9
P1242.050-032	5	1.2	8.0	1.6	0.5	32	28.5	2.9
P1242.050-035	5	1.2	8.0	1.6	0.5	35	31.5	2.9
P1242.050-040	5	1.2	8.0	1.6	0.5	40	36.5	2.9
P1242.050-045	5	1.2	8.0	1.6	0.5	45	41.5	2.9
P1242.050-050	5	1.2	8.0	1.6	0.5	50	46.5	2.9
P1242.060-012	6	1.6	10.0	2.0	1.0	12	8.0	3.2
P1242.060-016	6	1.6	10.0	2.0	1.0	16	12.0	3.2
P1242.060-018	6	1.6	10.0	2.0	1.0	18	14.0	3.2
P1242.060-020	6	1.6	10.0	2.0	1.0	20	16.0	3.2
P1242.060-022	6	1.6	10.0	2.0	1.0	22	18.0	3.2
P1242.060-024	6	1.6	10.0	2.0	1.0	24	20.0	3.2
P1242.060-026	6	1.6	10.0	2.0	1.0	26	22.0	3.2
P1242.060-028	6	1.6	10.0	2.0	1.0	28	24.0	3.2
P1242.060-030	6	1.6	10.0	2.0	1.0	30	26.0	3.2
P1242.060-032	6	1.6	10.0	2.0	1.0	32	28.0	3.2
P1242.060-035	6	1.6	10.0	2.0	1.0	35	31.0	3.2
P1242.060-040	6	1.6	10.0	2.0	1.0	40	36.0	3.2
P1242.060-045	6	1.6	10.0	2.0	1.0	45	41.0	3.2
P1242.060-050	6	1.6	10.0	2.0	1.0	50	46.0	3.2
P1242.060-055	6	1.6	10.0	2.0	1.0	55	51.0	3.2
P1242.060-060	6	1.6	10.0	2.0	1.0	60	56.0	3.2
P1242.080-016	8	2	14.0	3.0	1.0	16	11.5	3.5
P1242.080-018	8	2	14.0	3.0	1.0	18	13.5	3.5
P1242.080-020	8	2	14.0	3.0	1.0	20	15.5	3.5



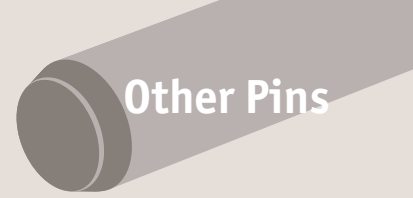
OTHER PINS

Order No.	d ₁ tol. h11	d ₂	d ₃	h ₁	h ₂	l ₁	l ₂	l ₃
P1242.080-022	8	2	14.0	3.0	1.0	22	17.5	3.5
P1242.080-024	8	2	14.0	3.0	1.0	24	19.5	3.5
P1242.080-026	8	2	14.0	3.0	1.0	26	21.5	3.5
P1242.080-028	8	2	14.0	3.0	1.0	28	23.5	3.5
P1242.080-030	8	2	14.0	3.0	1.0	30	25.5	3.5
P1242.080-032	8	2	14.0	3.0	1.0	32	27.5	3.5
P1242.080-035	8	2	14.0	3.0	1.0	35	30.5	3.5
P1242.080-040	8	2	14.0	3.0	1.0	40	35.5	3.5
P1242.080-045	8	2	14.0	3.0	1.0	45	40.5	3.5
P1242.080-050	8	2	14.0	3.0	1.0	50	45.5	3.5
P1242.080-055	8	2	14.0	3.0	1.0	55	50.5	3.5
P1242.080-060	8	2	14.0	3.0	1.0	60	55.5	3.5
P1242.080-065	8	2	14.0	3.0	1.0	65	60.5	3.5
P1242.080-070	8	2	14.0	3.0	1.0	70	65.5	3.5
P1242.080-075	8	2	14.0	3.0	1.0	75	70.5	3.5
P1242.080-080	8	2	14.0	3.0	1.0	80	75.5	3.5
P1242.100-020	10	3.2	18.0	4.0	1.0	20	13.9	4.5
P1242.100-022	10	3.2	18.0	4.0	1.0	22	15.9	4.5
P1242.100-024	10	3.2	18.0	4.0	1.0	24	17.9	4.5
P1242.100-028	10	3.2	18.0	4.0	1.0	28	21.9	4.5
P1242.100-030	10	3.2	18.0	4.0	1.0	30	23.9	4.5
P1242.100-032	10	3.2	18.0	4.0	1.0	32	25.9	4.5
P1242.100-035	10	3.2	18.0	4.0	1.0	35	28.9	4.5
P1242.100-040	10	3.2	18.0	4.0	1.0	40	33.9	4.5
P1242.100-045	10	3.2	18.0	4.0	1.0	45	38.9	4.5
P1242.100-050	10	3.2	18.0	4.0	1.0	50	43.9	4.5
P1242.100-055	10	3.2	18.0	4.0	1.0	55	48.9	4.5
P1242.100-060	10	3.2	18.0	4.0	1.0	60	53.9	4.5
P1242.100-065	10	3.2	18.0	4.0	1.0	65	58.9	4.5
P1242.100-070	10	3.2	18.0	4.0	1.0	70	63.9	4.5
P1242.100-075	10	3.2	18.0	4.0	1.0	75	68.9	4.5
P1242.100-080	10	3.2	18.0	4.0	1.0	80	73.9	4.5
P1242.100-085	10	3.2	18.0	4.0	1.0	85	78.9	4.5
P1242.100-090	10	3.2	18.0	4.0	1.0	90	83.9	4.5
P1242.100-095	10	3.2	18.0	4.0	1.0	95	88.9	4.5
P1242.100-100	10	3.2	18.0	4.0	1.0	100	93.9	4.5
P1242.120-024	12	3.2	20.0	4.0	1.5	24	16.9	5.5
P1242.120-026	12	3.2	20.0	4.0	1.5	26	18.9	5.5
P1242.120-028	12	3.2	20.0	4.0	1.5	28	20.9	5.5
P1242.120-030	12	3.2	20.0	4.0	1.5	30	22.9	5.5
P1242.120-032	12	3.2	20.0	4.0	1.5	32	24.9	5.5
P1242.120-035	12	3.2	20.0	4.0	1.5	35	27.9	5.5
P1242.120-040	12	3.2	20.0	4.0	1.5	40	32.9	5.5
P1242.120-045	12	3.2	20.0	4.0	1.5	45	37.9	5.5
P1242.120-050	12	3.2	20.0	4.0	1.5	50	42.9	5.5
P1242.120-055	12	3.2	20.0	4.0	1.5	55	47.9	5.5
P1242.120-060	12	3.2	20.0	4.0	1.5	60	52.9	5.5
P1242.120-065	12	3.2	20.0	4.0	1.5	65	57.9	5.5
P1242.120-070	12	3.2	20.0	4.0	1.5	70	62.9	5.5
P1242.120-075	12	3.2	20.0	4.0	1.5	75	67.9	5.5
P1242.120-080	12	3.2	20.0	4.0	1.5	80	72.9	5.5
P1242.120-085	12	3.2	20.0	4.0	1.5	85	77.9	5.5
P1242.120-090	12	3.2	20.0	4.0	1.5	90	82.9	5.5
P1242.120-095	12	3.2	20.0	4.0	1.5	95	87.9	5.5
P1242.120-100	12	3.2	20.0	4.0	1.5	100	92.9	5.5
P1242.120-120	12	3.2	20.0	4.0	1.5	120	112.9	5.5

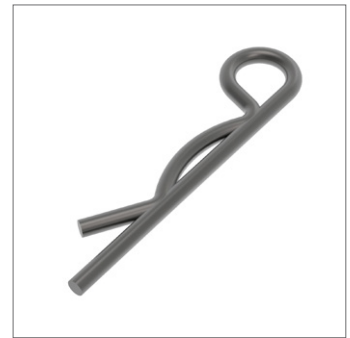
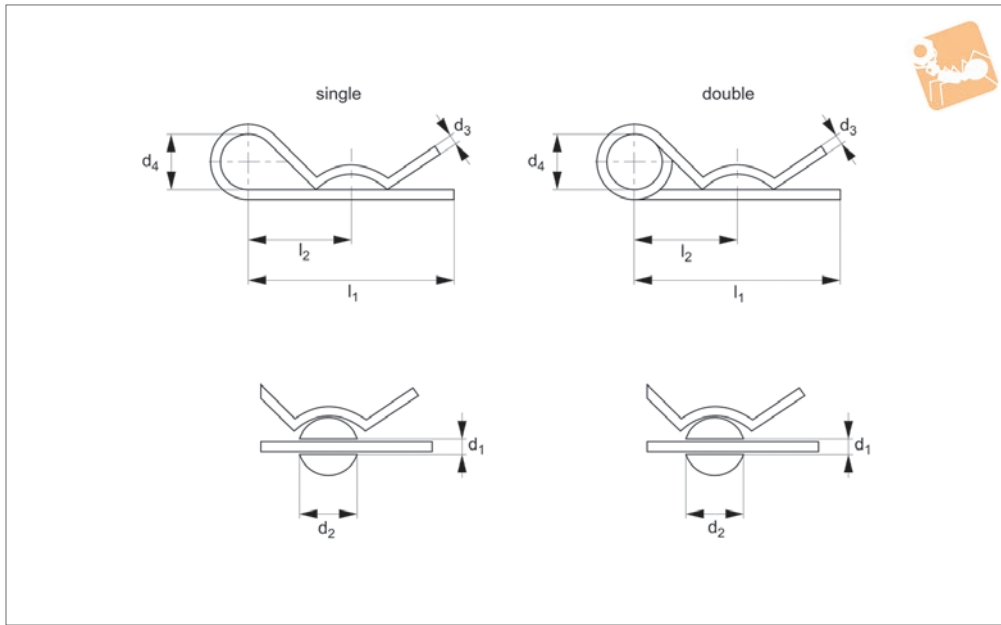


Retaining Pins (R Clips)

R clips



Other Pins



P1243

OTHER PINS

Material

Spring steel (zinc-plated) or stainless steel (A2, AISI 303 or A4, AISI 316).

Technical Notes

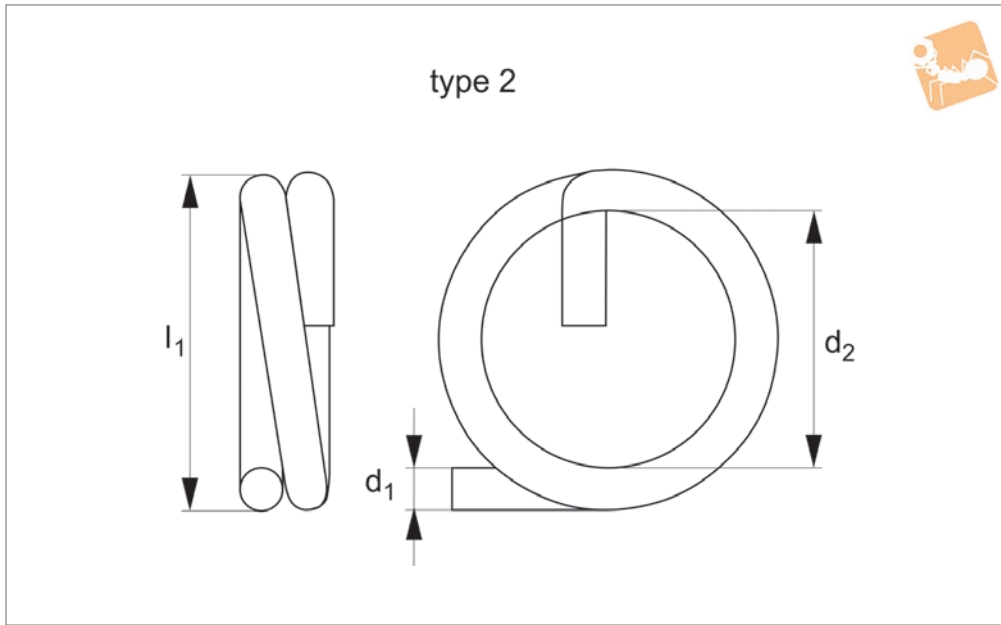
To DIN 11024.
Single coils and double coils (for more

demanding applications).

Order No.	For hole dia. d_1	Type	d_2 range	d_4	l_1	l_2	Wire dia. d_3	Material
P1243.015-S-ZP	1.5	Single	5-8	-	22	-	1.2	Steel
P1243.020-S-ZP	2.0	Single	6-10	8.5	25	14.4	1.6	Steel
P1243.022-S-ZP	2.2	Single	8-13	8.8	36	15.8	1.8	Steel
P1243.025-S-ZP	2.5	Single	9-14	10.2	56	25.6	2.0	Steel
P1243.035-S-ZP	3.5	Single	10-20	18.5	72	30.0	3.0	Steel
P1243.045-S-ZP	4.0	Single	16-25	20.7	60	33.4	4.0	Steel
P1243.060-S-ZP	6.0	Single	20-28	25.0	102	43.0	5.0	Steel
P1243.070-S-ZP	7.0	Single	28-40	-	124	-	6.0	Steel
P1243.080-S-ZP	8.0	Single	28-45	28.9	110	59.0	7.0	Steel
P1243.090-S-ZP	9.0	Single	30-45	-	128	-	8.0	Steel
P1243.020-S-A2	2.5	Single	8-7	10.0	40	25.0	2.0	A2 s/s
P1243.025-S-A2	3.0	Single	10-16	11.0	46	24.0	2.5	A2 s/s
P1243.030-S-A2	3.5	Single	16-18	16.0	60	34.0	3.0	A2 s/s
P1243.045-S-A2	4.5	Single	18-20	19.0	64	36.0	4.0	A2 s/s
P1243.050-S-A2	6.0	Single	20-28	26.0	82	45.0	5.0	A2 s/s
P1243.060-S-A2	7.0	Single	28-40	30.0	110	60.0	6.0	A2 s/s
P1243.020-S-A4	2.5	Single	8-7	10.0	40	25.0	2.0	A4 s/s
P1243.025-S-A4	3.0	Single	10-16	11.0	46	24.0	2.5	A4 s/s
P1243.030-S-A4	3.5	Single	16-18	16.0	60	34.0	3.0	A4 s/s
P1243.045-S-A4	4.5	Single	18-20	19.0	64	36.0	4.0	A4 s/s
P1243.050-S-A4	6.0	Single	20-28	26.0	82	45.0	5.0	A4 s/s
P1243.060-S-A4	7.0	Single	28-40	30.0	110	60.0	6.0	A4 s/s
P1243.025-D-ZP	2.5	Double	8-14	10.3	52	26.3	2.0	Steel
P1243.035-D-ZP	3.5	Double	14-20	16.0	72	36.4	3.0	Steel
P1243.045-D-ZP	4.5	Double	17-24	24.7	80	43.8	4.0	Steel
P1243.055-D-ZP	5.5	Double	18-30	26.1	98	53.4	5.0	Steel
P1243.065-D-ZP	6.5	Double	24-36	28.9	120	72.5	6.0	Steel
P1243.080-D-ZP	8.0	Double	26-40	-	148	-	7.0	Steel
P1243.090-D-ZP	9.0	Double	24-40	-	149	-	8.0	Steel
P1243.025-D-A2	2.5	Double	9-11	20.0	48	24.0	2.25	A2 s/s
P1243.032-D-A2	3.2	Double	11-14	20.0	48	26.0	2.8	A2 s/s
P1243.040-D-A2	4.0	Double	14-20	20.0	64	32.0	3.6	A2 s/s
P1243.050-D-A2	5.0	Double	20-26	25.0	80	39.0	4.5	A2 s/s
P1243.063-D-A2	6.3	Double	26-34	25.0	97	45.0	5.6	A2 s/s
P1243.070-D-A2	7.0	Double	34-35	30.0	125	56.0	6.3	A2 s/s



Order No.	For hole dia. d_1	Type	d_2 range	d_4	l_1	l_2	Wire dia. d_3	Material
P1243.080-D-A2	8.0	Double	45-56	30.0	150	63.0	7.0	A2 s/s
P1243.025-D-A4	2.5	Double	9-11	20.0	42	24.0	2.25	A4 s/s
P1243.032-D-A4	3.2	Double	11-14	20.0	48	26.0	2.8	A4 s/s
P1243.040-D-A4	4.0	Double	14-20	20.0	64	32.0	3.6	A4 s/s
P1243.050-D-A4	5.0	Double	20-26	25.0	80	39.0	4.5	A4 s/s
P1243.063-D-A4	6.3	Double	26-34	25.0	97	45.0	5.6	A4 s/s
P1243.070-D-A4	7.0	Double	34-45	30.0	125	56.0	6.3	A4 s/s
P1243.080-D-A4	8.0	Double	45-56	30.0	150	63.0	7.0	A4 s/s



P1244

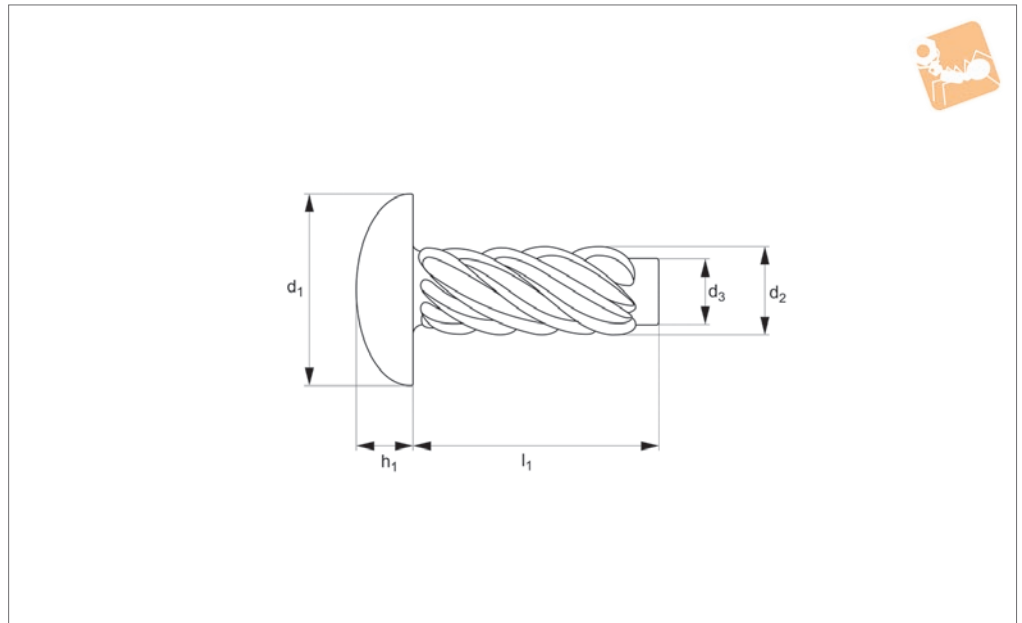
OTHER PINS

Material 316).
 Spring steel (EN10270-1-SM), yellow galvanised, or stainless steel (A4, AISI

Order No.	d ₁	Type	d ₂	Material
P1244.010-A4	1.0	Type 2	10.0	A4 s/s
P1244.012-A4	1.2	Type 2	13.8	A4 s/s
P1244.015-A4	1.5	Type 2	18.5	A4 s/s
P1244.020-A4	2.0	Type 2	23.0	A4 s/s



P1245.A2



Material

Stainless steel (A2, AISI 303).

non-ferrous castings, aluminium and plastics refer to dimension d_4 .

Technical Notes

For recommended hole size in thin metals,

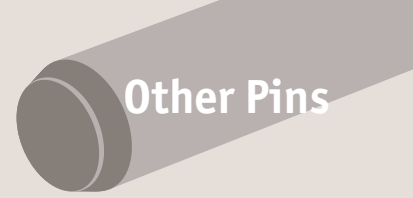
For recommended hole size in cast iron and thick sheet metal refer to dimension d_5 .

Order No.	d_1 max.	d_2 max.	d_3 max.	l_1	h_1 max.	d_4	d_5
P1245.015-030-A2	1.5	2.5	1.25	3.25	0.86	1.30	1.40
P1245.015-045-A2	1.5	2.5	1.25	4.50	0.86	1.30	1.40
P1245.015-065-A2	1.5	2.5	1.25	6.50	0.86	1.30	1.40
P1245.015-080-A2	1.5	2.5	1.25	8.00	0.86	1.30	1.40
P1245.015-095-A2	1.5	2.5	1.25	9.50	0.86	1.30	1.40
P1245.019-030-A2	1.9	3.2	1.60	3.25	1.24	1.65	1.75
P1245.019-045-A2	1.9	3.2	1.60	4.50	1.24	1.65	1.75
P1245.019-065-A2	1.9	3.2	1.60	6.50	1.24	1.65	1.75
P1245.019-080-A2	1.9	3.2	1.60	8.00	1.24	1.65	1.75
P1245.019-095-A2	1.9	3.2	1.60	9.50	1.24	1.65	1.75
P1245.025-030-A2	2.5	4.1	2.10	3.25	1.75	2.20	2.30
P1245.025-045-A2	2.5	4.1	2.10	4.50	1.75	2.20	2.30
P1245.025-065-A2	2.5	4.1	2.10	6.50	1.75	2.20	2.30
P1245.025-080-A2	2.5	4.1	2.10	8.00	1.75	2.20	2.30
P1245.025-095-A2	2.5	4.1	2.10	9.50	1.75	2.20	2.30
P1245.025-130-A2	2.5	4.1	2.10	13.00	1.75	2.20	2.30
P1245.029-045-A2	2.9	5.4	2.44	4.50	2.18	2.55	2.70
P1245.029-065-A2	2.9	5.4	2.44	6.50	2.18	2.55	2.70
P1245.029-080-A2	2.9	5.4	2.44	8.00	2.18	2.55	2.70
P1245.029-095-A2	2.9	5.4	2.44	9.50	2.18	2.55	2.70
P1245.035-065-A2	3.5	6.6	2.95	6.50	2.62	3.10	3.30
P1245.035-080-A2	3.5	6.6	2.95	8.00	2.62	3.10	3.30
P1245.035-095-A2	3.5	6.6	2.95	9.50	2.62	3.10	3.30
P1245.035-130-A2	3.5	6.6	2.95	13.00	2.62	3.10	3.30
P1245.035-160-A2	3.5	6.6	2.95	16.00	2.62	3.10	3.30
P1245.035-190-A2	3.5	6.6	2.95	19.00	2.62	3.10	3.30
P1245.042-065-A2	4.2	7.9	3.45	6.5	3.05	3.70	3.90
P1245.042-080-A2	4.2	7.9	3.45	8.0	3.05	3.70	3.90
P1245.042-095-A2	4.2	7.9	3.45	9.5	3.05	3.70	3.90
P1245.042-130-A2	4.2	7.9	3.45	13.0	3.05	3.70	3.90
P1245.048-095-A2	4.8	9.1	3.81	9.5	3.48	4.10	4.30
P1245.048-130-A2	4.8	9.1	3.81	13.0	3.48	4.10	4.30

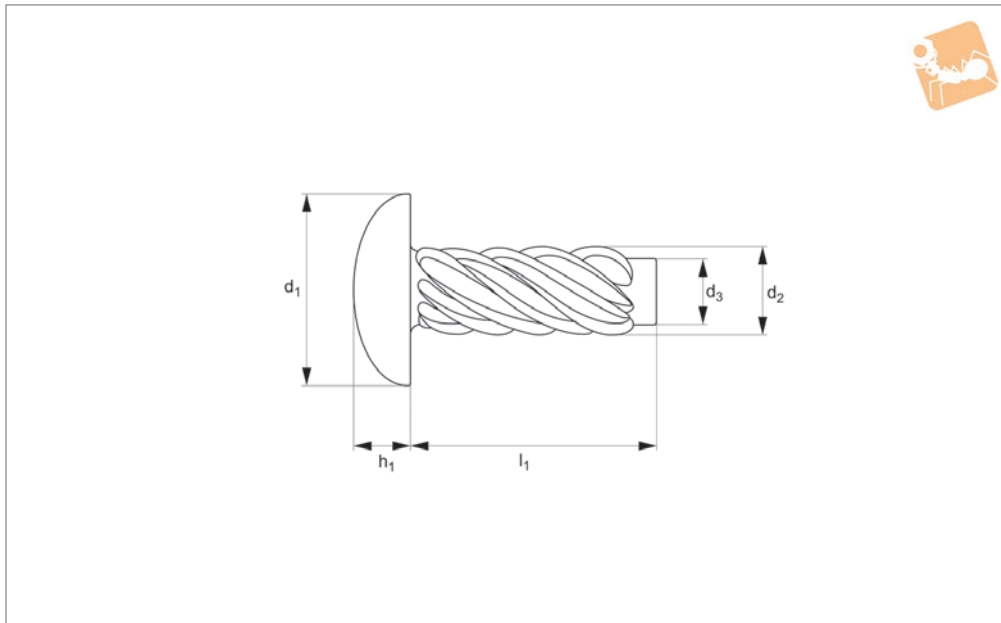


Hammer Drive Pins

steel



Other Pins



P1245

OTHER PINS

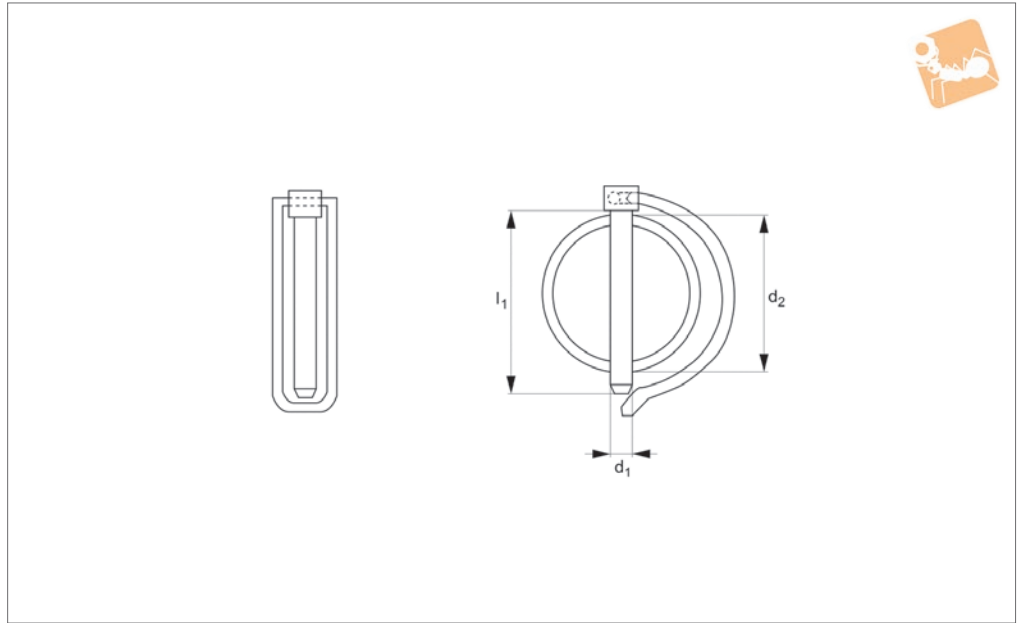
Material

Steel (nickel-plated or self-colour).

Order No.	d ₁	d ₂	d ₃	l ₁	h ₁	Recc. hole
P1245.014-005-SC	2.60	1.63	1.40	5.0	0.90	1.40
P1245.014-060-SC	2.60	1.63	1.40	6.0	0.90	1.40
P1245.014-800-SC	2.60	1.63	1.40	8.0	0.90	1.40
P1245.016-050-SC	3.00	1.83	1.60	5.0	1.10	1.60
P1245.016-060-SC	3.00	1.83	1.60	6.0	1.10	1.60
P1245.016-080-SC	3.00	1.83	1.60	8.0	1.10	1.60
P1245.020-060-SC	3.70	2.30	2.00	6.0	1.30	2.00
P1245.020-080-SC	3.70	2.30	2.00	8.0	1.30	2.00
P1245.020-100-SC	3.70	2.30	2.00	10.0	1.30	2.00
P1245.025-060-SC	4.60	2.80	2.50	6.0	1.60	2.55
P1245.025-080-SC	4.60	2.80	2.50	8.0	1.60	2.55
P1245.025-100-SC	4.60	2.80	2.50	10.0	1.60	2.55
P1245.030-080-SC	5.45	3.35	3.00	8.0	1.95	3.00
P1245.030-100-SC	5.45	3.35	3.00	10.0	1.95	3.00
P1245.030-120-SC	5.45	3.35	3.00	12.0	1.95	3.00
P1245.040-100-SC	7.25	4.35	4.00	10.0	2.55	4.00
P1245.040-120-SC	7.25	4.35	4.00	12.0	2.55	4.00
P1245.040-160-SC	7.25	4.35	4.00	16.0	2.55	4.00
P1245.050-120-SC	9.10	5.35	5.00	12.0	3.15	5.00
P1245.050-160-SC	9.10	5.35	5.00	16.0	3.15	5.00
P1245.050-200-SC	9.10	5.35	5.00	20.0	3.15	5.00
P1245.060-160-SC	10.80	6.35	6.00	16.0	3.75	6.00
P1245.060-200-SC	10.80	6.35	6.00	20.0	3.75	6.00
P1245.035-095-NP	6.60	3.50	2.94	9.5	2.61	3.05
P1245.035-065-NP	6.60	3.50	2.94	6.4	2.61	3.05



P1248



Material

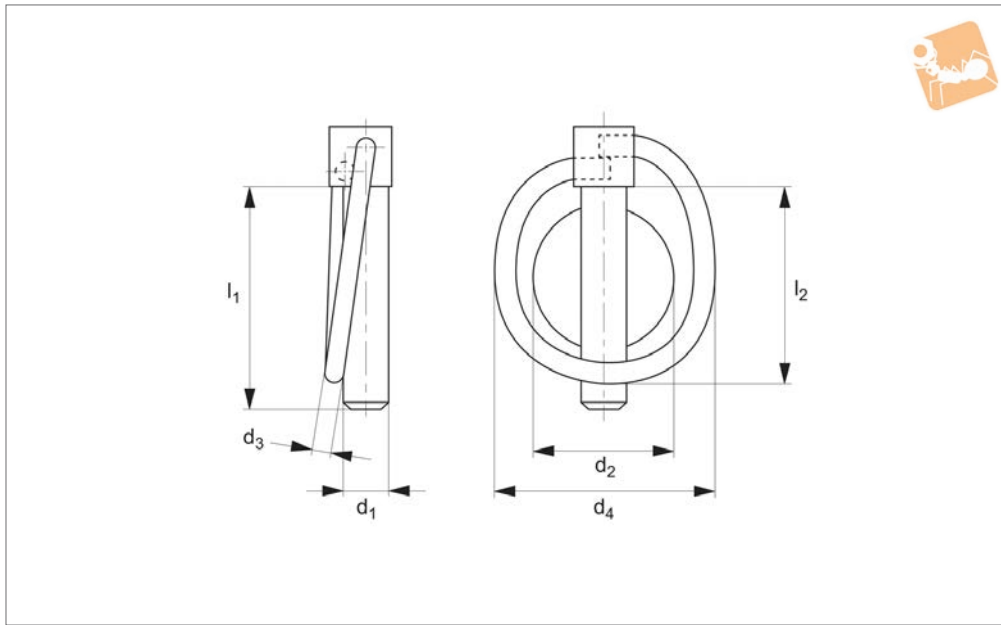
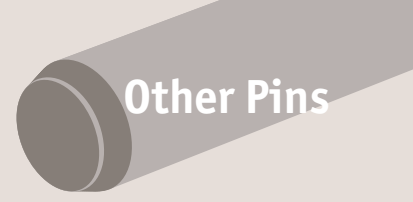
Mild steel, generally silver zinc-plated.
Zinc plating colour will be at manufac-

turers discretion.

Technical Notes

With spring steel „keep“.

Order No.	d ₁	l ₁	d ₂ max.
P1248.045-032	4.5	32	28
P1248.045-040	4.5	40	36
P1248.060-032	6.0	32	28
P1248.060-040	6.0	40	36
P1248.060-045	6.0	45	40
P1248.080-040	8.0	40	36
P1248.080-045	8.0	45	40
P1248.080-050	8.0	50	45
P1248.080-060	8.0	60	50
P1248.100-040	10.0	40	36
P1248.100-050	10.0	50	45
P1248.100-060	10.0	60	55
P1248.110-045	11.0	45	40
P1248.110-055	11.0	55	50



P1247

OTHER PINS

Material

Mild steel, generally yellow zinc plated.

For pin $d_1 = 4,5$ & 6 there is no flat on the pin.

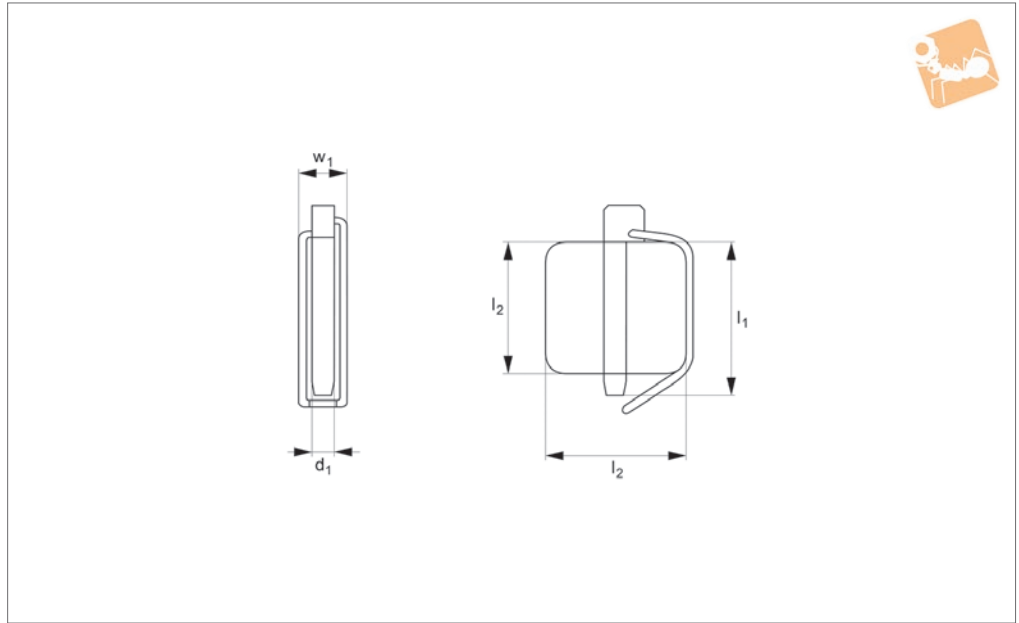
Technical Notes

To DIN 11023. With spring steel „keep“.

Order No.	d_1	l_1	d_2 max.	d_3	l_2	d_4	l_2
P1247.045	4.5	42	25	3.5	37	41	37
P1247.060	6.0	42	32	3.5	37	41	37
P1247.070	7.0	42	32	3.5	37	41	37
P1247.080	8.0	42	32	3.5	37	41	37
P1247.090	9.0	42	32	3.5	37	41	37
P1247.100	10.0	42	32	3.5	37	41	37
P1247.110	11.0	42	32	3.5	37	41	37



P1249



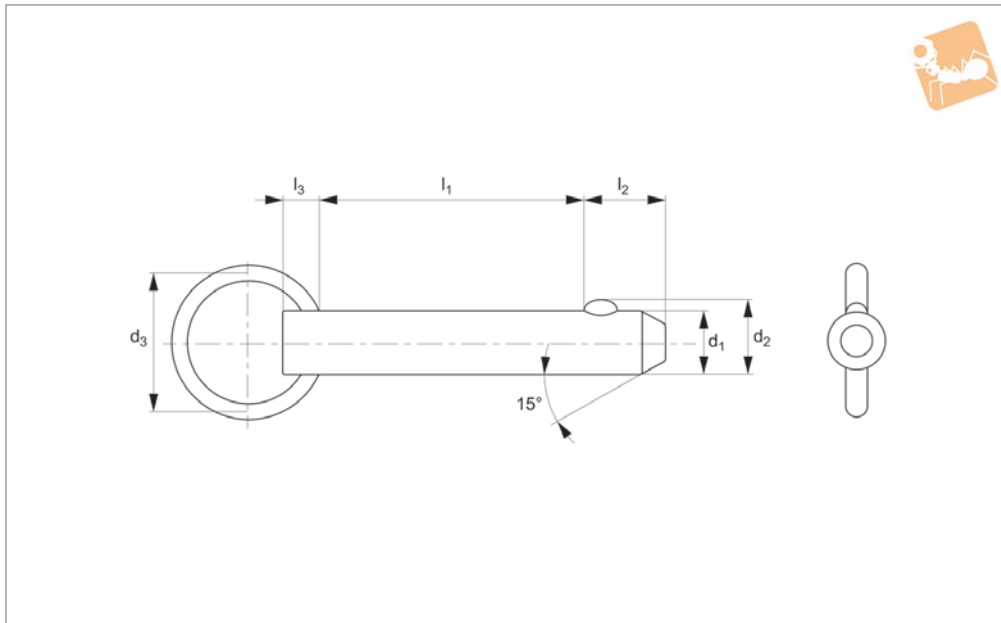
Material

Spring steel (EN10270-1-SM), yellow galvanised.

Order No.	d_1	l_1	l_2	w_1
P1249.040	9.5	55	40 x 40	16
P1249.050	9.5	65	50 x 50	21
P1249.060	11.5	75	60 x 60	23



Detent Pin Steel



P1250.1

OTHER PINS

Material

Shaft: Carbon steel (C1144), zinc plated.
Ball & spring: Stainless steel AISI 316.

Technical Notes

Detent pins are very economical for use in commercial and military equipment. The solid body with direct spring loaded

ball ensures reliable operation. Can be used for locking telescopic tubing, securing bracket assemblies, as anchor clevis fittings, hinge pins and as replacement for cotter pins where frequent removal is necessary. Hole sizes - commercial drills provide clear-

ance for our standard pins. Inch dimensions in brackets ().

Tips

Also available in stainless steel see part no. P1252.1

Order No.	d ₁ +0.00 -0.08	l ₁ grip +1.50 -0.00	d ₂	d ₃	l ₂	l ₃	Pull out strength kg	Single shear strength kN min.
P1250.018-030	4,76 (3/16")	7,62 (0,3")	5.18	25.4	5.08	4.74	1,9 - 2,3	10.8
P1250.018-050	4,76 (3/16")	12,7 (0,5")	5.18	25.4	5.08	4.74	1,9 - 2,3	10.8
P1250.018-060	4,76 (3/16")	15,2 (0,6")	5.18	25.4	5.08	4.74	1,9 - 2,3	10.8
P1250.018-070	4,76 (3/16")	17,8 (0,7")	5.18	25.4	5.08	4.74	1,9 - 2,3	10.8
P1250.018-080	4,76 (3/16")	20,3 (0,8")	5.18	25.4	5.08	4.74	1,9 - 2,3	10.8
P1250.018-090	4,76 (3/16")	22,9 (0,9")	5.18	25.4	5.08	4.74	1,9 - 2,3	10.8
P1250.018-110	4,76 (3/16")	27,9 (1,1")	5.18	25.4	5.08	4.74	1,9 - 2,3	10.8
P1250.018-130	4,76 (3/16")	33,0 (1,3")	5.18	25.4	5.08	4.74	1,9 - 2,3	10.8
P1250.018-150	4,76 (3/16")	38,1 (1,5")	5.18	25.4	5.08	4.74	1,9 - 2,3	10.8
P1250.018-170	4,76 (3/16")	43,2 (1,7")	5.18	25.4	5.08	4.74	1,9 - 2,3	10.8
P1250.018-190	4,76 (3/16")	48,2 (1,9")	5.18	25.4	5.08	4.74	1,9 - 2,3	10.8
P1250.018-200	4,76 (3/16")	50,8 (2")	5.18	25.4	5.08	4.74	1,9 - 2,3	10.8
P1250.018-210	4,76 (3/16")	53,3 (2,1")	5.18	25.4	5.08	4.74	1,9 - 2,3	10.8
P1250.018-230	4,76 (3/16")	58,4 (2,3")	5.18	25.4	5.08	4.74	1,9 - 2,3	10.8
P1250.018-250	4,76 (3/16")	63,5 (2,5")	5.18	25.4	5.08	4.74	1,9 - 2,3	10.8
P1250.018-270	4,76 (3/16")	68,6 (2,7")	5.18	25.4	5.08	4.74	1,9 - 2,3	10.8
P1250.018-280	4,76 (3/16")	71,1 (2,8")	5.18	25.4	5.08	4.74	1,9 - 2,3	10.8
P1250.018-290	4,76 (3/16")	73,7 (2,9")	5.18	25.4	5.08	4.74	1,9 - 2,3	10.8
P1250.018-310	4,76 (3/16")	78,7 (3,1")	5.18	25.4	5.08	4.74	1,9 - 2,3	10.8
P1250.018-330	4,76 (3/16")	83,8 (3,3")	5.18	25.4	5.08	4.74	1,9 - 2,3	10.8
P1250.018-350	4,76 (3/16")	88,9 (3,5")	5.18	25.4	5.08	4.74	1,9 - 2,3	10.8
P1250.018-370	4,76 (3/16")	94,0 (3,7")	5.18	25.4	5.08	4.74	1,9 - 2,3	10.8
P1250.018-390	4,76 (3/16")	99,1 (3,9")	5.18	25.4	5.08	4.74	1,9 - 2,3	10.8
P1250.025-030	6,35 (1/4")	7,62 (0,3")	7.26	25.4	7.92	5.58	2,27 - 2,73	19.3
P1250.025-050	6,35 (1/4")	12,7 (0,5")	7.26	25.4	7.92	5.58	2,27 - 2,73	19.3
P1250.025-070	6,35 (1/4")	17,8 (0,7")	7.26	25.4	7.92	5.58	2,27 - 2,73	19.3
P1250.025-090	6,35 (1/4")	22,9 (0,9")	7.26	25.4	7.92	5.58	2,27 - 2,73	19.3
P1250.025-100	6,35 (1/4")	25,4 (1")	7.26	25.4	7.92	5.58	2,27 - 2,73	19.3
P1250.025-110	6,35 (1/4")	27,9 (1,1")	7.26	25.4	7.92	5.58	2,27 - 2,73	19.3



OTHER PINS

Order No.	d ₁ +0.00 -0.08	l ₁ grip +1.50 -0.00	d ₂	d ₃	l ₂	l ₃	Pull out strength kg	Single shear strength kN min.
P1250.025-130	6,35 (1/4")	33,0 (1,3")	7.26	25.4	7.92	5.58	2,27 - 2,73	19.3
P1250.025-150	6,35 (1/4")	38,1 (1,5")	7.26	25.4	7.92	5.58	2,27 - 2,73	19.3
P1250.025-170	6,35 (1/4")	43,2 (1,7")	7.26	25.4	7.92	5.58	2,27 - 2,73	19.3
P1250.025-190	6,35 (1/4")	48,2 (1,9")	7.26	25.4	7.92	5.58	2,27 - 2,73	19.3
P1250.025-210	6,35 (1/4")	53,3 (2,1")	7.26	25.4	7.92	5.58	2,27 - 2,73	19.3
P1250.025-230	6,35 (1/4")	58,4 (2,3")	7.26	25.4	7.92	5.58	2,27 - 2,73	19.3
P1250.025-250	6,35 (1/4")	63,5 (2,5")	7.26	25.4	7.92	5.58	2,27 - 2,73	19.3
P1250.025-270	6,35 (1/4")	68,6 (2,7")	7.26	25.4	7.92	5.58	2,27 - 2,73	19.3
P1250.025-290	6,35 (1/4")	73,7 (2,9")	7.26	25.4	7.92	5.58	2,27 - 2,73	19.3
P1250.025-300	6,35 (1/4")	76,2 (3")	7.26	25.4	7.92	5.58	2,27 - 2,73	19.3
P1250.025-310	6,35 (1/4")	78,7 (3,1")	7.26	25.4	7.92	5.58	2,27 - 2,73	19.3
P1250.025-330	6,35 (1/4")	83,8 (3,3")	7.26	25.4	7.92	5.58	2,27 - 2,73	19.3
P1250.025-350	6,35 (1/4")	88,9 (3,5")	7.26	25.4	7.92	5.58	2,27 - 2,73	19.3
P1250.025-370	6,35 (1/4")	94,0 (3,7")	7.26	25.4	7.92	5.58	2,27 - 2,73	19.3
P1250.025-390	6,35 (1/4")	99,1 (3,9")	7.26	25.4	7.92	5.58	2,27 - 2,73	19.3
P1250.025-400	6,35 (1/4")	101,6 (4")	7.26	25.4	7.92	5.58	2,27 - 2,73	19.3
P1250.031-050	7,93 (5/16")	12,7 (0,5")	9.09	25.4	9.52	6.35	2,72 - 2,73	30.0
P1250.031-070	7,93 (5/16")	17,8 (0,7")	9.09	25.4	9.52	6.35	2,72 - 2,73	30.0
P1250.031-090	7,93 (5/16")	22,9 (0,9")	9.09	25.4	9.52	6.35	2,72 - 2,73	30.0
P1250.031-100	7,93 (5/16")	25,4 (1")	9.09	25.4	9.52	6.35	2,72 - 2,73	30.0
P1250.031-110	7,93 (5/16")	27,9 (1,1")	9.09	25.4	9.52	6.35	2,72 - 2,73	30.0
P1250.031-130	7,93 (5/16")	33,0 (1,3")	9.09	25.4	9.52	6.35	2,72 - 2,73	30.0
P1250.031-150	7,93 (5/16")	38,1 (1,5")	9.09	25.4	9.52	6.35	2,72 - 2,73	30.0
P1250.031-170	7,93 (5/16")	43,2 (1,7")	9.09	25.4	9.52	6.35	2,72 - 2,73	30.0
P1250.031-190	7,93 (5/16")	48,3 (1,9")	9.09	25.4	9.52	6.35	2,72 - 2,73	30.0
P1250.031-210	7,93 (5/16")	53,3 (2,1")	9.09	25.4	9.52	6.35	2,72 - 2,73	30.0
P1250.031-230	7,93 (5/16")	58,4 (2,3")	9.09	25.4	9.52	6.35	2,72 - 2,73	30.0
P1250.031-240	7,93 (5/16")	61,0 (2,4")	9.09	25.4	9.52	6.35	2,72 - 2,73	30.0
P1250.031-250	7,93 (5/16")	63,5 (2,5")	9.09	25.4	9.52	6.35	2,72 - 2,73	30.0
P1250.031-270	7,93 (5/16")	68,6 (2,7")	9.09	25.4	9.52	6.35	2,72 - 2,73	30.0
P1250.031-290	7,93 (5/16")	73,7 (2,9")	9.09	25.4	9.52	6.35	2,72 - 2,73	30.0
P1250.031-310	7,93 (5/16")	78,8 (3,1")	9.09	25.4	9.52	6.35	2,72 - 2,73	30.0
P1250.031-330	7,93 (5/16")	83,9 (3,3")	9.09	25.4	9.52	6.35	2,72 - 2,73	30.0
P1250.031-350	7,93 (5/16")	88,9 (3,5")	9.09	25.4	9.52	6.35	2,72 - 2,73	30.0
P1250.031-370	7,93 (5/16")	94,0 (3,7")	9.09	25.4	9.52	6.35	2,72 - 2,73	30.0
P1250.031-390	7,93 (5/16")	99,1 (3,9")	9.09	25.4	9.52	6.35	2,72 - 2,73	30.0
P1250.031-410	7,93 (5/16")	104,1 (4,1")	9.09	25.4	9.52	6.35	2,72 - 2,73	30.0
P1250.031-430	7,93 (5/16")	109,2 (4,3")	9.09	25.4	9.52	6.35	2,72 - 2,73	30.0
P1250.031-450	7,93 (5/16")	114,3 (4,5")	9.09	25.4	9.52	6.35	2,72 - 2,73	30.0
P1250.031-470	7,93 (5/16")	119,4 (4,7")	9.09	25.4	9.52	6.35	2,72 - 2,73	30.0
P1250.031-490	7,93 (5/16")	124,5 (4,9")	9.09	25.4	9.52	6.35	2,72 - 2,73	30.0
P1250.031-500	7,93 (5/16")	127,0 (5")	9.09	25.4	9.52	6.35	2,72 - 2,73	30.0
P1250.037-050	9,52 (3/8")	12,7 (0,5")	10.8	25.4	12.7	6.35	3,63 - 4,54	43.3
P1250.037-070	9,52 (3/8")	17,8 (0,7")	10.8	25.4	12.7	6.35	3,63 - 4,54	43.3
P1250.037-090	9,52 (3/8")	22,9 (0,9")	10.8	25.4	12.7	6.35	3,63 - 4,54	43.3
P1250.037-100	9,52 (3/8")	25,4 (1")	10.8	25.4	12.7	6.35	3,63 - 4,54	43.3
P1250.037-110	9,52 (3/8")	27,9 (1,1")	10.8	25.4	12.7	6.35	3,63 - 4,54	43.3
P1250.037-130	9,52 (3/8")	33,0 (1,3")	10.8	25.4	12.7	6.35	3,63 - 4,54	43.3
P1250.037-150	9,52 (3/8")	38,1 (1,5")	10.8	25.4	12.7	6.35	3,63 - 4,54	43.3
P1250.037-170	9,52 (3/8")	43,2 (1,7")	10.8	25.4	12.7	6.35	3,63 - 4,54	43.3
P1250.037-190	9,52 (3/8")	48,3 (1,9")	10.8	25.4	12.7	6.35	3,63 - 4,54	43.3
P1250.037-200	9,52 (3/8")	50,8 (2")	10.8	25.4	12.7	6.35	3,63 - 4,54	43.3
P1250.037-210	9,52 (3/8")	53,3 (2,1")	10.8	25.4	12.7	6.35	3,63 - 4,54	43.3
P1250.037-230	9,52 (3/8")	58,4 (2,3")	10.8	25.4	12.7	6.35	3,63 - 4,54	43.3
P1250.037-250	9,52 (3/8")	63,5 (2,5")	10.8	25.4	12.7	6.35	3,63 - 4,54	43.3
P1250.037-270	9,52 (3/8")	68,6 (2,7")	10.8	25.4	12.7	6.35	3,63 - 4,54	43.3
P1250.037-290	9,52 (3/8")	73,7 (2,9")	10.8	25.4	12.7	6.35	3,63 - 4,54	43.3
P1250.037-310	9,52 (3/8")	78,7 (3,1")	10.8	25.4	12.7	6.35	3,63 - 4,54	43.3
P1250.037-330	9,52 (3/8")	83,8 (3,3")	10.8	25.4	12.7	6.35	3,63 - 4,54	43.3
P1250.037-340	9,52 (3/8")	86,4 (3,4")	10.8	25.4	12.7	6.35	3,63 - 4,54	43.3
P1250.037-350	9,52 (3/8")	88,9 (3,5")	10.8	25.4	12.7	6.35	3,63 - 4,54	43.3
P1250.037-370	9,52 (3/8")	94,0 (3,7")	10.8	25.4	12.7	6.35	3,63 - 4,54	43.3
P1250.037-390	9,52 (3/8")	99,1 (3,9")	10.8	25.4	12.7	6.35	3,63 - 4,54	43.3
P1250.037-410	9,52 (3/8")	104,1 (4,1")	10.8	25.4	12.7	6.35	3,63 - 4,54	43.3
P1250.037-430	9,52 (3/8")	109,2 (4,3")	10.8	25.4	12.7	6.35	3,63 - 4,54	43.3
P1250.037-440	9,52 (3/8")	111,8 (4,4")	10.8	25.4	12.7	6.35	3,63 - 4,54	43.3
P1250.037-450	9,52 (3/8")	114,3 (4,5")	10.8	25.4	12.7	6.35	3,63 - 4,54	43.3



Detent Pin Steel



Other Pins

Order No.	d ₁ +0.00 -0.08	l ₁ grip +1.50 -0.00	d ₂	d ₃	l ₂	l ₃	Pull out strength kg	Single shear strength kN min.
P1250.037-470	9,52 (3/8")	119,4 (4,7")	10,8	25,4	12,7	6,35	3,63 - 4,54	43,3
P1250.037-490	9,52 (3/8")	124,5 (4,9")	10,8	25,4	12,7	6,35	3,63 - 4,54	43,3
P1250.037-510	9,52 (3/8")	129,5 (5,1")	10,8	25,4	12,7	6,35	3,63 - 4,54	43,3
P1250.037-530	9,52 (3/8")	134,6 (5,3")	10,8	25,4	12,7	6,35	3,63 - 4,54	43,3
P1250.037-550	9,52 (3/8")	139,7 (5,5")	10,8	25,4	12,7	6,35	3,63 - 4,54	43,3
P1250.037-570	9,52 (3/8")	144,8 (5,7")	10,8	25,4	12,7	6,35	3,63 - 4,54	43,3
P1250.037-590	9,52 (3/8")	149,9 (5,9")	10,8	25,4	12,7	6,35	3,63 - 4,54	43,3
P1250.043-050	11,1 (7/16")	12,7 (0,5")	12,5	25,4	14,2	6,35	4,09 - 5,45	58,9
P1250.043-070	11,1 (7/16")	17,8 (0,7")	12,5	25,4	14,2	6,35	4,09 - 5,45	58,9
P1250.043-090	11,1 (7/16")	22,9 (0,9")	12,5	25,4	14,2	6,35	4,09 - 5,45	58,9
P1250.043-110	11,1 (7/16")	28,0 (1,1")	12,5	25,4	14,2	6,35	4,09 - 5,45	58,9
P1250.043-130	11,1 (7/16")	33,0 (1,3")	12,5	25,4	14,2	6,35	4,09 - 5,45	58,9
P1250.043-150	11,1 (7/16")	38,1 (1,5")	12,5	25,4	14,2	6,35	4,09 - 5,45	58,9
P1250.043-170	11,1 (7/16")	43,2 (1,7")	12,5	25,4	14,2	6,35	4,09 - 5,45	58,9
P1250.043-190	11,1 (7/16")	48,3 (1,9")	12,5	25,4	14,2	6,35	4,09 - 5,45	58,9
P1250.043-200	11,1 (7/16")	50,8 (2")	12,5	25,4	14,2	6,35	4,09 - 5,45	58,9
P1250.043-210	11,1 (7/16")	53,3 (2,1")	12,5	25,4	14,2	6,35	4,09 - 5,45	58,9
P1250.043-230	11,1 (7/16")	58,4 (2,3")	12,5	25,4	14,2	6,35	4,09 - 5,45	58,9
P1250.043-250	11,1 (7/16")	63,5 (2,5")	12,5	25,4	14,2	6,35	4,09 - 5,45	58,9
P1250.043-270	11,1 (7/16")	68,6 (2,7")	12,5	25,4	14,2	6,35	4,09 - 5,45	58,9
P1250.043-290	11,1 (7/16")	73,7 (2,9")	12,5	25,4	14,2	6,35	4,09 - 5,45	58,9
P1250.043-310	11,1 (7/16")	78,7 (3,1")	12,5	25,4	14,2	6,35	4,09 - 5,45	58,9
P1250.043-330	11,1 (7/16")	83,8 (3,3")	12,5	25,4	14,2	6,35	4,09 - 5,45	58,9
P1250.043-350	11,1 (7/16")	89,0 (3,5")	12,5	25,4	14,2	6,35	4,09 - 5,45	58,9
P1250.043-370	11,1 (7/16")	94,0 (3,7")	12,5	25,4	14,2	6,35	4,09 - 5,45	58,9
P1250.043-390	11,1 (7/16")	99,1 (3,9")	12,5	25,4	14,2	6,35	4,09 - 5,45	58,9
P1250.043-410	11,1 (7/16")	104,1 (4,1")	12,5	25,4	14,2	6,35	4,09 - 5,45	58,9
P1250.043-430	11,1 (7/16")	109,2 (4,3")	12,5	25,4	14,2	6,35	4,09 - 5,45	58,9
P1250.043-450	11,1 (7/16")	114,3 (4,5")	12,5	25,4	14,2	6,35	4,09 - 5,45	58,9
P1250.043-470	11,1 (7/16")	119,4 (4,7")	12,5	25,4	14,2	6,35	4,09 - 5,45	58,9
P1250.043-490	11,1 (7/16")	124,5 (4,9")	12,5	25,4	14,2	6,35	4,09 - 5,45	58,9
P1250.043-510	11,1 (7/16")	129,5 (5,1")	12,5	25,4	14,2	6,35	4,09 - 5,45	58,9
P1250.043-530	11,1 (7/16")	134,6 (5,3")	12,5	25,4	14,2	6,35	4,09 - 5,45	58,9
P1250.043-550	11,1 (7/16")	139,7 (5,5")	12,5	25,4	14,2	6,35	4,09 - 5,45	58,9
P1250.043-570	11,1 (7/16")	144,8 (5,7")	12,5	25,4	14,2	6,35	4,09 - 5,45	58,9
P1250.043-590	11,1 (7/16")	149,9 (5,9")	12,5	25,4	14,2	6,35	4,09 - 5,45	58,9
P1250.050-050	12,7 (1/2")	12,7 (0,5")	14,4	31,7	15,8	7,92	4,54 - 5,45	77,0
P1250.050-070	12,7 (1/2")	17,8 (0,7")	14,4	31,7	15,8	7,92	4,54 - 5,45	77,0
P1250.050-090	12,7 (1/2")	22,9 (0,9")	14,4	31,7	15,8	7,92	4,54 - 5,45	77,0
P1250.050-100	12,7 (1/2")	25,4 (1")	14,4	31,7	15,8	7,92	4,54 - 5,45	77,0
P1250.050-110	12,7 (1/2")	27,9 (1,1")	14,4	31,7	15,8	7,92	4,54 - 5,45	77,0
P1250.050-130	12,7 (1/2")	33,0 (1,3")	14,4	31,7	15,8	7,92	4,54 - 5,45	77,0
P1250.050-150	12,7 (1/2")	38,1 (1,5")	14,4	31,7	15,8	7,92	4,54 - 5,45	77,0
P1250.050-170	12,7 (1/2")	43,2 (1,7")	14,4	31,7	15,8	7,92	4,54 - 5,45	77,0
P1250.050-190	12,7 (1/2")	48,3 (1,9")	14,4	31,7	15,8	7,92	4,54 - 5,45	77,0
P1250.050-200	12,7 (1/2")	50,8 (2")	14,4	31,7	15,8	7,92	4,54 - 5,45	77,0
P1250.050-210	12,7 (1/2")	53,3 (2,1")	14,4	31,7	15,8	7,92	4,54 - 5,45	77,0
P1250.050-230	12,7 (1/2")	58,4 (2,3")	14,4	31,7	15,8	7,92	4,54 - 5,45	77,0
P1250.050-250	12,7 (1/2")	63,5 (2,5")	14,4	31,7	15,8	7,92	4,54 - 5,45	77,0
P1250.050-270	12,7 (1/2")	68,6 (2,7")	14,4	31,7	15,8	7,92	4,54 - 5,45	77,0
P1250.050-290	12,7 (1/2")	73,7 (2,9")	14,4	31,7	15,8	7,92	4,54 - 5,45	77,0
P1250.050-300	12,7 (1/2")	76,2 (3")	14,4	31,7	15,8	7,92	4,54 - 5,45	77,0
P1250.050-310	12,7 (1/2")	78,7 (3,1")	14,4	31,7	15,8	7,92	4,54 - 5,45	77,0
P1250.050-330	12,7 (1/2")	83,8 (3,3")	14,4	31,7	15,8	7,92	4,54 - 5,45	77,0
P1250.050-350	12,7 (1/2")	88,9 (3,5")	14,4	31,7	15,8	7,92	4,54 - 5,45	77,0
P1250.050-370	12,7 (1/2")	94,0 (3,7")	14,4	31,7	15,8	7,92	4,54 - 5,45	77,0
P1250.050-390	12,7 (1/2")	99,1 (3,9")	14,4	31,7	15,8	7,92	4,54 - 5,45	77,0
P1250.050-410	12,7 (1/2")	104,1 (4,1")	14,4	31,7	15,8	7,92	4,54 - 5,45	77,0
P1250.050-430	12,7 (1/2")	109,2 (4,3")	14,4	31,7	15,8	7,92	4,54 - 5,45	77,0
P1250.050-450	12,7 (1/2")	114,3 (4,5")	14,4	31,7	15,8	7,92	4,54 - 5,45	77,0
P1250.050-470	12,7 (1/2")	119,4 (4,7")	14,4	31,7	15,8	7,92	4,54 - 5,45	77,0
P1250.050-490	12,7 (1/2")	124,5 (4,9")	14,4	31,7	15,8	7,92	4,54 - 5,45	77,0
P1250.050-510	12,7 (1/2")	129,5 (5,1")	14,4	31,7	15,8	7,92	4,54 - 5,45	77,0
P1250.050-530	12,7 (1/2")	134,6 (5,3")	14,4	31,7	15,8	7,92	4,54 - 5,45	77,0
P1250.050-550	12,7 (1/2")	139,7 (5,5")	14,4	31,7	15,8	7,92	4,54 - 5,45	77,0
P1250.050-570	12,7 (1/2")	144,8 (5,7")	14,4	31,7	15,8	7,92	4,54 - 5,45	77,0
P1250.050-590	12,7 (1/2")	149,9 (5,9")	14,4	31,7	15,8	7,92	4,54 - 5,45	77,0

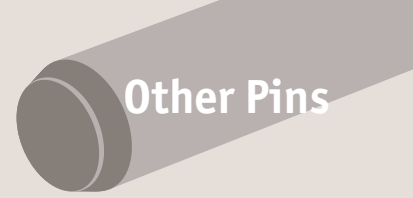
OTHER PINS



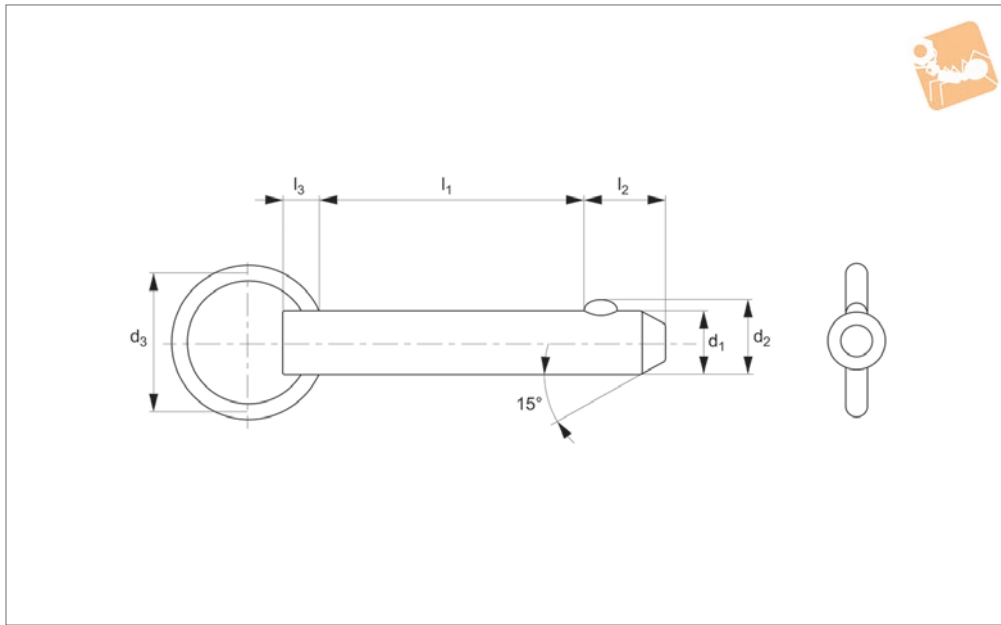
Order No.	d_1 +0.00 -0.08	l_1 grip +1.50 -0.00	d_2	d_3	l_2	l_3	Pull out strength kg	Single shear strength kN min.
P1250.050-610	12,7 (1/2")	154,9 (6,1")	14.4	31.7	15.8	7.92	4,54 - 5,45	77.0
P1250.050-630	12,7 (1/2")	160,0 (6,3")	14.4	31.7	15.8	7.92	4,54 - 5,45	77.0
P1250.050-650	12,7 (1/2")	165,1 (6,5")	14.4	31.7	15.8	7.92	4,54 - 5,45	77.0
P1250.050-670	12,7 (1/2")	170,2 (6,7")	14.4	31.7	15.8	7.92	4,54 - 5,45	77.0
P1250.050-690	12,7 (1/2")	175,3 (6,9")	14.4	31.7	15.8	7.92	4,54 - 5,45	77.0



Detent Pin Steel



Other Pins



P1250.2

OTHER PINS

Material

Shaft: Carbon steel (C1144), zinc plated.
Ball & spring: Stainless steel AISI 316.

Technical Notes

Detent pins are very economical for use in commercial and military equipment. The solid body with direct spring loaded

ball ensures reliable operation.

Can be used for locking telescopic tubing, securing bracket assemblies, as anchor clevis fittings, hinge pins and as replacement for cotter pins where frequent removal is necessary.

Hole sizes - commercial drills provide clear-

ance for our standard pins.

Inch dimensions in brackets ().

Tips

Also available in stainless steel see part no. P1252.2

Order No.	d ₁ +0.00 -0.08	l ₁ grip +1.50 -0.00	d ₂	d ₃	l ₂	l ₃	Pull out strength kg	Single shear strength kN min.
P1250.056-100	14,2 (9/16")	25,4 (1")	16.3	31.7	17.4	7.92	5,45 - 6,81	97.6
P1250.056-120	14,2 (9/16")	30,5 (1,2")	16.3	31.7	17.4	7.92	5,45 - 6,81	97.6
P1250.056-140	14,2 (9/16")	35,6 (1,4")	16.3	31.7	17.4	7.92	5,45 - 6,81	97.6
P1250.056-160	14,2 (9/16")	40,6 (1,6")	16.3	31.7	17.4	7.92	5,45 - 6,81	97.6
P1250.056-180	14,2 (9/16")	45,7 (1,8")	16.3	31.7	17.4	7.92	5,45 - 6,81	97.6
P1250.056-200	14,2 (9/16")	50,8 (2")	16.3	31.7	17.4	7.92	5,45 - 6,81	97.6
P1250.056-220	14,2 (9/16")	55,9 (2,2")	16.3	31.7	17.4	7.92	5,45 - 6,81	97.6
P1250.056-240	14,2 (9/16")	61,0 (2,4")	16.3	31.7	17.4	7.92	5,45 - 6,81	97.6
P1250.056-260	14,2 (9/16")	66,0 (2,6")	16.3	31.7	17.4	7.92	5,45 - 6,81	97.6
P1250.056-280	14,2 (9/16")	71,1 (2,8")	16.3	31.7	17.4	7.92	5,45 - 6,81	97.6
P1250.056-300	14,2 (9/16")	76,2 (3")	16.3	31.7	17.4	7.92	5,45 - 6,81	97.6
P1250.056-320	14,2 (9/16")	81,3 (3,2")	16.3	31.7	17.4	7.92	5,45 - 6,81	97.6
P1250.056-340	14,2 (9/16")	86,4 (3,4")	16.3	31.7	17.4	7.92	5,45 - 6,81	97.6
P1250.056-360	14,2 (9/16")	91,4 (3,6")	16.3	31.7	17.4	7.92	5,45 - 6,81	97.6
P1250.056-380	14,2 (9/16")	96,5 (3,8")	16.3	31.7	17.4	7.92	5,45 - 6,81	97.6
P1250.056-400	14,2 (9/16")	101,6 (4")	16.3	31.7	17.4	7.92	5,45 - 6,81	97.6
P1250.056-420	14,2 (9/16")	106,7 (4,2")	16.3	31.7	17.4	7.92	5,45 - 6,81	97.6
P1250.056-440	14,2 (9/16")	111,8 (4,4")	16.3	31.7	17.4	7.92	5,45 - 6,81	97.6
P1250.056-460	14,2 (9/16")	116,8 (4,6")	16.3	31.7	17.4	7.92	5,45 - 6,81	97.6
P1250.056-480	14,2 (9/16")	121,9 (4,8")	16.3	31.7	17.4	7.92	5,45 - 6,81	97.6
P1250.056-500	14,2 (9/16")	127,0 (5")	16.3	31.7	17.4	7.92	5,45 - 6,81	97.6
P1250.056-520	14,2 (9/16")	132,1 (5,2")	16.3	31.7	17.4	7.92	5,45 - 6,81	97.6
P1250.056-540	14,2 (9/16")	137,2 (5,4")	16.3	31.7	17.4	7.92	5,45 - 6,81	97.6
P1250.056-560	14,2 (9/16")	142,2 (5,6")	16.3	31.7	17.4	7.92	5,45 - 6,81	97.6
P1250.056-580	14,2 (9/16")	147,3 (5,8")	16.3	31.7	17.4	7.92	5,45 - 6,81	97.6
P1250.056-600	14,2 (9/16")	152,4 (6")	16.3	31.7	17.4	7.92	5,45 - 6,81	97.6
P1250.056-620	14,2 (9/16")	157,5 (6,2")	16.3	31.7	17.4	7.92	5,45 - 6,81	97.6
P1250.056-640	14,2 (9/16")	162,6 (6,4")	16.3	31.7	17.4	7.92	5,45 - 6,81	97.6
P1250.056-660	14,2 (9/16")	167,6 (6,6")	16.3	31.7	17.4	7.92	5,45 - 6,81	97.6



OTHER PINS

Order No.	d ₁ +0.00 -0.08	l ₁ grip +1.50 -0.00	d ₂	d ₃	l ₂	l ₃	Pull out strength kg	Single shear strength kN min.
P1250.056-680	14,2 (9/16")	172,7 (6,8")	16.3	31.7	17.4	7.92	5,45 - 6,81	97.6
P1250.056-700	14,2 (9/16")	177,8 (7")	16.3	31.7	17.4	7.92	5,45 - 6,81	97.6
P1250.062-110	15,8 (5/8")	27,9 (1,1")	18.0	31.7	19.0	9.52	3,36 - 7,26	121.6
P1250.062-130	15,8 (5/8")	33,0 (1,3")	18.0	31.7	19.0	9.52	3,36 - 7,26	121.6
P1250.062-150	15,8 (5/8")	38,1 (1,5")	18.0	31.7	19.0	9.52	3,36 - 7,26	121.6
P1250.062-160	15,8 (5/8")	40,6 (1,6")	18.0	31.7	19.0	9.52	3,36 - 7,26	121.6
P1250.062-170	15,8 (5/8")	43,2 (1,7")	18.0	31.7	19.0	9.52	3,36 - 7,26	121.6
P1250.062-190	15,8 (5/8")	48,3 (1,9")	18.0	31.7	19.0	9.52	3,36 - 7,26	121.6
P1250.062-210	15,8 (5/8")	53,3 (2,1")	18.0	31.7	19.0	9.52	3,36 - 7,26	121.6
P1250.062-230	15,8 (5/8")	58,4 (2,3")	18.0	31.7	19.0	9.52	3,36 - 7,26	121.6
P1250.062-250	15,8 (5/8")	63,5 (2,5")	18.0	31.7	19.0	9.52	3,36 - 7,26	121.6
P1250.062-270	15,8 (5/8")	68,6 (2,7")	18.0	31.7	19.0	9.52	3,36 - 7,26	121.6
P1250.062-290	15,8 (5/8")	73,7 (2,9")	18.0	31.7	19.0	9.52	3,36 - 7,26	121.6
P1250.062-310	15,8 (5/8")	78,7 (3,1")	18.0	31.7	19.0	9.52	3,36 - 7,26	121.6
P1250.062-330	15,8 (5/8")	83,8 (3,3")	18.0	31.7	19.0	9.52	3,36 - 7,26	121.6
P1250.062-350	15,8 (5/8")	88,9 (3,5")	18.0	31.7	19.0	9.52	3,36 - 7,26	121.6
P1250.062-370	15,8 (5/8")	94,0 (3,7")	18.0	31.7	19.0	9.52	3,36 - 7,26	121.6
P1250.062-390	15,8 (5/8")	99,1 (3,9")	18.0	31.7	19.0	9.52	3,36 - 7,26	121.6
P1250.062-410	15,8 (5/8")	104,1 (4,1")	18.0	31.7	19.0	9.52	3,36 - 7,26	121.6
P1250.062-430	15,8 (5/8")	109,2 (4,3")	18.0	31.7	19.0	9.52	3,36 - 7,26	121.6
P1250.062-450	15,8 (5/8")	114,3 (4,5")	18.0	31.7	19.0	9.52	3,36 - 7,26	121.6
P1250.062-470	15,8 (5/8")	119,4 (4,7")	18.0	31.7	19.0	9.52	3,36 - 7,26	121.6
P1250.062-490	15,8 (5/8")	124,5 (4,9")	18.0	31.7	19.0	9.52	3,36 - 7,26	121.6
P1250.062-510	15,8 (5/8")	129,5 (5,1")	18.0	31.7	19.0	9.52	3,36 - 7,26	121.6
P1250.062-530	15,8 (5/8")	134,6 (5,3")	18.0	31.7	19.0	9.52	3,36 - 7,26	121.6
P1250.062-550	15,8 (5/8")	139,7 (5,5")	18.0	31.7	19.0	9.52	3,36 - 7,26	121.6
P1250.062-570	15,8 (5/8")	144,8 (5,7")	18.0	31.7	19.0	9.52	3,36 - 7,26	121.6
P1250.062-590	15,8 (5/8")	149,9 (5,9")	18.0	31.7	19.0	9.52	3,36 - 7,26	121.6
P1250.062-610	15,8 (5/8")	154,9 (6,1")	18.0	31.7	19.0	9.52	3,36 - 7,26	121.6
P1250.062-630	15,8 (5/8")	160,0 (6,3")	18.0	31.7	19.0	9.52	3,36 - 7,26	121.6
P1250.062-650	15,8 (5/8")	165,1 (6,5")	18.0	31.7	19.0	9.52	3,36 - 7,26	121.6
P1250.062-670	15,8 (5/8")	170,2 (6,7")	18.0	31.7	19.0	9.52	3,36 - 7,26	121.6
P1250.062-690	15,8 (5/8")	175,3 (6,9")	18.0	31.7	19.0	9.52	3,36 - 7,26	121.6
P1250.062-710	15,8 (5/8")	180,3 (7,1")	18.0	31.7	19.0	9.52	3,36 - 7,26	121.6
P1250.062-730	15,8 (5/8")	185,4 (7,3")	18.0	31.7	19.0	9.52	3,36 - 7,26	121.6
P1250.062-750	15,8 (5/8")	190,5 (7,5")	18.0	31.7	19.0	9.52	3,36 - 7,26	121.6
P1250.062-770	15,8 (5/8")	195,6 (7,7")	18.0	31.7	19.0	9.52	3,36 - 7,26	121.6
P1250.062-790	15,8 (5/8")	200,7 (7,9")	18.0	31.7	19.0	9.52	3,36 - 7,26	121.6
P1250.075-100	19,0 (3/4")	25,4 (1")	21.7	38.1	23.7	9.52	8,17 - 9,98	173.6
P1250.075-120	19,0 (3/4")	30,5 (1,2")	21.7	38.1	23.7	9.52	8,17 - 9,98	173.6
P1250.075-140	19,0 (3/4")	35,6 (1,4")	21.7	38.1	23.7	9.52	8,17 - 9,98	173.6
P1250.075-160	19,0 (3/4")	40,6 (1,6")	21.7	38.1	23.7	9.52	8,17 - 9,98	173.6
P1250.075-180	19,0 (3/4")	45,7 (1,8")	21.7	38.1	23.7	9.52	8,17 - 9,98	173.6
P1250.075-200	19,0 (3/4")	50,8 (2")	21.7	38.1	23.7	9.52	8,17 - 9,98	173.6
P1250.075-220	19,0 (3/4")	55,9 (2,2")	21.7	38.1	23.7	9.52	8,17 - 9,98	173.6
P1250.075-240	19,0 (3/4")	61,0 (2,4")	21.7	38.1	23.7	9.52	8,17 - 9,98	173.6
P1250.075-260	19,0 (3/4")	66,0 (2,6")	21.7	38.1	23.7	9.52	8,17 - 9,98	173.6
P1250.075-280	19,0 (3/4")	71,1 (2,8")	21.7	38.1	23.7	9.52	8,17 - 9,98	173.6
P1250.075-300	19,0 (3/4")	76,2 (3")	21.7	38.1	23.7	9.52	8,17 - 9,98	173.6
P1250.075-320	19,0 (3/4")	81,3 (3,2")	21.7	38.1	23.7	9.52	8,17 - 9,98	173.6
P1250.075-340	19,0 (3/4")	86,4 (3,4")	21.7	38.1	23.7	9.52	8,17 - 9,98	173.6
P1250.075-360	19,0 (3/4")	91,4 (3,6")	21.7	38.1	23.7	9.52	8,17 - 9,98	173.6
P1250.075-380	19,0 (3/4")	96,5 (3,8")	21.7	38.1	23.7	9.52	8,17 - 9,98	173.6
P1250.075-400	19,0 (3/4")	101,6 (4")	21.7	38.1	23.7	9.52	8,17 - 9,98	173.6
P1250.075-420	19,0 (3/4")	106,7 (4,2")	21.7	38.1	23.7	9.52	8,17 - 9,98	173.6
P1250.075-440	19,0 (3/4")	111,8 (4,4")	21.7	38.1	23.7	9.52	8,17 - 9,98	173.6
P1250.075-460	19,0 (3/4")	116,8 (4,6")	21.7	38.1	23.7	9.52	8,17 - 9,98	173.6
P1250.075-480	19,0 (3/4")	121,9 (4,8")	21.7	38.1	23.7	9.52	8,17 - 9,98	173.6
P1250.075-500	19,0 (3/4")	127,0 (5")	21.7	38.1	23.7	9.52	8,17 - 9,98	173.6
P1250.075-520	19,0 (3/4")	132,1 (5,2")	21.7	38.1	23.7	9.52	8,17 - 9,98	173.6
P1250.075-540	19,0 (3/4")	137,2 (5,4")	21.7	38.1	23.7	9.52	8,17 - 9,98	173.6
P1250.075-560	19,0 (3/4")	142,2 (5,6")	21.7	38.1	23.7	9.52	8,17 - 9,98	173.6
P1250.075-580	19,0 (3/4")	147,3 (5,8")	21.7	38.1	23.7	9.52	8,17 - 9,98	173.6
P1250.075-600	19,0 (3/4")	152,4 (6")	21.7	38.1	23.7	9.52	8,17 - 9,98	173.6
P1250.075-620	19,0 (3/4")	157,5 (6,2")	21.7	38.1	23.7	9.52	8,17 - 9,98	173.6
P1250.075-640	19,0 (3/4")	162,6 (6,4")	21.7	38.1	23.7	9.52	8,17 - 9,98	173.6
P1250.075-660	19,0 (3/4")	167,6 (6,6")	21.7	38.1	23.7	9.52	8,17 - 9,98	173.6



Detent Pin Steel



Other Pins

Order No.	d ₁ +0.00 -0.08	l ₁ grip +1.50 -0.00	d ₂	d ₃	l ₂	l ₃	Pull out strength kg	Single shear strength kN min.
P1250.075-680	19,0 (3/4")	172,7 (6,8")	21.7	38.1	23.7	9.52	8,17 - 9,98	173.6
P1250.075-700	19,0 (3/4")	177,8 (7")	21.7	38.1	23.7	9.52	8,17 - 9,98	173.6
P1250.075-720	19,0 (3/4")	182,9 (7,2")	21.7	38.1	23.7	9.52	8,17 - 9,98	173.6
P1250.075-740	19,0 (3/4")	188,0 (7,4")	21.7	38.1	23.7	9.52	8,17 - 9,98	173.6
P1250.075-760	19,0 (3/4")	193,0 (7,6")	21.7	38.1	23.7	9.52	8,17 - 9,98	173.6
P1250.075-780	19,0 (3/4")	198,1 (7,8")	21.7	38.1	23.7	9.52	8,17 - 9,98	173.6
P1250.075-800	19,0 (3/4")	203,2 (8")	21.7	38.1	23.7	9.52	8,17 - 9,98	173.6
P1250.087-110	22,2 (7/8")	27,9 (1,1")	25.2	38.1	25.4	12.7	12,71 - 14,07	239.4
P1250.087-130	22,2 (7/8")	33,0 (1,3")	25.2	38.1	25.4	12.7	12,71 - 14,07	239.4
P1250.087-150	22,2 (7/8")	38,1 (1,5")	25.2	38.1	25.4	12.7	12,71 - 14,07	239.4
P1250.087-170	22,2 (7/8")	43,2 (1,7")	25.2	38.1	25.4	12.7	12,71 - 14,07	239.4
P1250.087-190	22,2 (7/8")	48,3 (1,9")	25.2	38.1	25.4	12.7	12,71 - 14,07	239.4
P1250.087-210	22,2 (7/8")	53,3 (2,1")	25.2	38.1	25.4	12.7	12,71 - 14,07	239.4
P1250.087-230	22,2 (7/8")	58,4 (2,3")	25.2	38.1	25.4	12.7	12,71 - 14,07	239.4
P1250.087-250	22,2 (7/8")	63,5 (2,5")	25.2	38.1	25.4	12.7	12,71 - 14,07	239.4
P1250.087-270	22,2 (7/8")	68,6 (2,7")	25.2	38.1	25.4	12.7	12,71 - 14,07	239.4
P1250.087-290	22,2 (7/8")	73,7 (2,9")	25.2	38.1	25.4	12.7	12,71 - 14,07	239.4
P1250.087-310	22,2 (7/8")	78,7 (3,1")	25.2	38.1	25.4	12.7	12,71 - 14,07	239.4
P1250.087-330	22,2 (7/8")	83,8 (3,3")	25.2	38.1	25.4	12.7	12,71 - 14,07	239.4
P1250.087-350	22,2 (7/8")	88,9 (3,5")	25.2	38.1	25.4	12.7	12,71 - 14,07	239.4
P1250.087-370	22,2 (7/8")	94,0 (3,7")	25.2	38.1	25.4	12.7	12,71 - 14,07	239.4
P1250.087-390	22,2 (7/8")	99,1 (3,9")	25.2	38.1	25.4	12.7	12,71 - 14,07	239.4
P1250.087-400	22,2 (7/8")	101,6 (4")	25.2	38.1	25.4	12.7	12,71 - 14,07	239.4
P1250.087-410	22,2 (7/8")	104,1 (4,1")	25.2	38.1	25.4	12.7	12,71 - 14,07	239.4
P1250.087-430	22,2 (7/8")	109,2 (4,3")	25.2	38.1	25.4	12.7	12,71 - 14,07	239.4
P1250.087-450	22,2 (7/8")	114,3 (4,5")	25.2	38.1	25.4	12.7	12,71 - 14,07	239.4
P1250.087-470	22,2 (7/8")	119,4 (4,7")	25.2	38.1	25.4	12.7	12,71 - 14,07	239.4
P1250.087-490	22,2 (7/8")	124,5 (4,9")	25.2	38.1	25.4	12.7	12,71 - 14,07	239.4
P1250.087-510	22,2 (7/8")	129,5 (5,1")	25.2	38.1	25.4	12.7	12,71 - 14,07	239.4
P1250.087-530	22,2 (7/8")	134,6 (5,3")	25.2	38.1	25.4	12.7	12,71 - 14,07	239.4
P1250.087-550	22,2 (7/8")	139,7 (5,5")	25.2	38.1	25.4	12.7	12,71 - 14,07	239.4
P1250.087-570	22,2 (7/8")	144,8 (5,7")	25.2	38.1	25.4	12.7	12,71 - 14,07	239.4
P1250.087-590	22,2 (7/8")	149,9 (5,9")	25.2	38.1	25.4	12.7	12,71 - 14,07	239.4
P1250.087-610	22,2 (7/8")	154,9 (6,1")	25.2	38.1	25.4	12.7	12,71 - 14,07	239.4
P1250.087-630	22,2 (7/8")	160,0 (6,3")	25.2	38.1	25.4	12.7	12,71 - 14,07	239.4
P1250.087-650	22,2 (7/8")	165,1 (6,5")	25.2	38.1	25.4	12.7	12,71 - 14,07	239.4
P1250.087-670	22,2 (7/8")	170,2 (6,7")	25.2	38.1	25.4	12.7	12,71 - 14,07	239.4
P1250.087-690	22,2 (7/8")	175,3 (6,9")	25.2	38.1	25.4	12.7	12,71 - 14,07	239.4
P1250.087-710	22,2 (7/8")	180,3 (7,1")	25.2	38.1	25.4	12.7	12,71 - 14,07	239.4
P1250.087-730	22,2 (7/8")	185,4 (7,3")	25.2	38.1	25.4	12.7	12,71 - 14,07	239.4
P1250.087-750	22,2 (7/8")	190,5 (7,5")	25.2	38.1	25.4	12.7	12,71 - 14,07	239.4
P1250.087-770	22,2 (7/8")	195,6 (7,7")	25.2	38.1	25.4	12.7	12,71 - 14,07	239.4
P1250.087-790	22,2 (7/8")	200,7 (7,9")	25.2	38.1	25.4	12.7	12,71 - 14,07	239.4
P1250.100-100	25,4 (1")	25,4 (1")	28.9	38.1	31.7	12.7	15,88 - 18-15	321.3
P1250.100-120	25,4 (1")	30,5 (1,2")	28.9	38.1	31.7	12.7	15,88 - 18-15	321.3
P1250.100-140	25,4 (1")	35,6 (1,4")	28.9	38.1	31.7	12.7	15,88 - 18-15	321.3
P1250.100-160	25,4 (1")	40,6 (1,6")	28.9	38.1	31.7	12.7	15,88 - 18-15	321.3
P1250.100-180	25,4 (1")	45,7 (1,8")	28.9	38.1	31.7	12.7	15,88 - 18-15	321.3
P1250.100-200	25,4 (1")	50,8 (2")	28.9	38.1	31.7	12.7	15,88 - 18-15	321.3
P1250.100-220	25,4 (1")	55,9 (2,2")	28.9	38.1	31.7	12.7	15,88 - 18-15	321.3
P1250.100-240	25,4 (1")	61,0 (2,4")	28.9	38.1	31.7	12.7	15,88 - 18-15	321.3
P1250.100-260	25,4 (1")	66,0 (2,6")	28.9	38.1	31.7	12.7	15,88 - 18-15	321.3
P1250.100-280	25,4 (1")	71,1 (2,8")	28.9	38.1	31.7	12.7	15,88 - 18-15	321.3
P1250.100-300	25,4 (1")	76,2 (3")	28.9	38.1	31.7	12.7	15,88 - 18-15	321.3
P1250.100-320	25,4 (1")	81,3 (3,2")	28.9	38.1	31.7	12.7	15,88 - 18-15	321.3
P1250.100-340	25,4 (1")	86,4 (3,4")	28.9	38.1	31.7	12.7	15,88 - 18-15	321.3
P1250.100-360	25,4 (1")	91,4 (3,6")	28.9	38.1	31.7	12.7	15,88 - 18-15	321.3
P1250.100-380	25,4 (1")	96,5 (3,8")	28.9	38.1	31.7	12.7	15,88 - 18-15	321.3
P1250.100-400	25,4 (1")	101,6 (4")	28.9	38.1	31.7	12.7	15,88 - 18-15	321.3
P1250.100-420	25,4 (1")	106,7 (4,2")	28.9	38.1	31.7	12.7	15,88 - 18-15	321.3
P1250.100-440	25,4 (1")	111,8 (4,4")	28.9	38.1	31.7	12.7	15,88 - 18-15	321.3
P1250.100-460	25,4 (1")	116,8 (4,6")	28.9	38.1	31.7	12.7	15,88 - 18-15	321.3
P1250.100-480	25,4 (1")	121,9 (4,8")	28.9	38.1	31.7	12.7	15,88 - 18-15	321.3
P1250.100-500	25,4 (1")	127,0 (5")	28.9	38.1	31.7	12.7	15,88 - 18-15	321.3
P1250.100-520	25,4 (1")	132,1 (5,2")	28.9	38.1	31.7	12.7	15,88 - 18-15	321.3
P1250.100-540	25,4 (1")	137,2 (5,4")	28.9	38.1	31.7	12.7	15,88 - 18-15	321.3
P1250.100-560	25,4 (1")	142,2 (5,6")	28.9	38.1	31.7	12.7	15,88 - 18-15	321.3

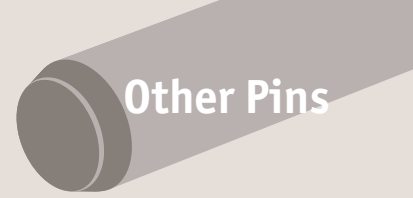
OTHER PINS



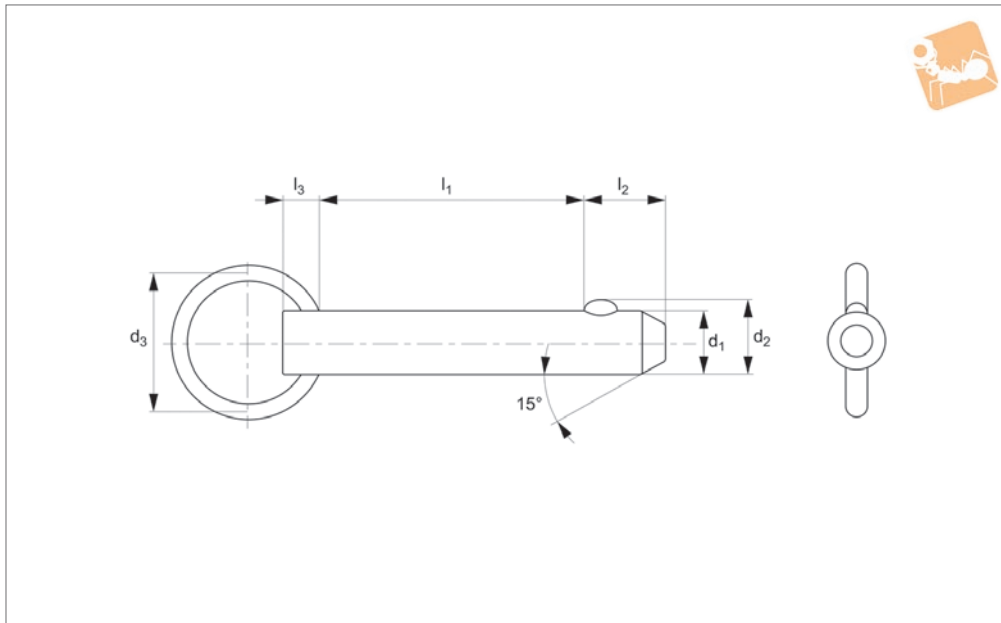
Order No.	d_1 +0.00 -0.08	l_1 grip +1.50 -0.00	d_2	d_3	l_2	l_3	Pull out strength kg	Single shear strength kN min.
P1250.100-580	25,4 (1")	147,3 (5,8")	28.9	38.1	31.7	12.7	15,88 - 18-15	321.3
P1250.100-600	25,4 (1")	152,4 (6")	28.9	38.1	31.7	12.7	15,88 - 18-15	321.3
P1250.100-620	25,4 (1")	157,5 (6,2")	28.9	38.1	31.7	12.7	15,88 - 18-15	321.3
P1250.100-640	25,4 (1")	162,6 (6,4")	28.9	38.1	31.7	12.7	15,88 - 18-15	321.3
P1250.100-660	25,4 (1")	167,6 (6,6")	28.9	38.1	31.7	12.7	15,88 - 18-15	321.3
P1250.100-680	25,4 (1")	172,7 (6,8")	28.9	38.1	31.7	12.7	15,88 - 18-15	321.3
P1250.100-700	25,4 (1")	177,8 (7")	28.9	38.1	31.7	12.7	15,88 - 18-15	321.3
P1250.100-720	25,4 (1")	182,9 (7,2")	28.9	38.1	31.7	12.7	15,88 - 18-15	321.3
P1250.100-740	25,4 (1")	188,0 (7,4")	28.9	38.1	31.7	12.7	15,88 - 18-15	321.3
P1250.100-760	25,4 (1")	193,0 (7,6")	28.9	38.1	31.7	12.7	15,88 - 18-15	321.3
P1250.100-780	25,4 (1")	198,1 (7,8")	28.9	38.1	31.7	12.7	15,88 - 18-15	321.3
P1250.100-800	25,4 (1")	203,2 (8")	28.9	38.1	31.7	12.7	15,88 - 18-15	321.3



Detent Pin Stainless Steel



Other Pins



P1252.1

OTHER PINS

Material

Shaft: Stainless steel, AISI 303.
Ball & Spring: Stainless steel, AISI 316.

Technical Notes

Detent pins are very economical for use in commercial and military equipment.

The solid body with direct spring loaded ball ensures reliable operation. For locking telescopic tubing, securing bracket assemblies, as anchor clevis fittings, hinge pins etc where frequent removal is necessary.

Hole sizes - commercial drills provide clearance for our standard pins. Inch dimensions in brackets ().

Tips

Also available on request in A4 (AISI 316) stainless steel, subject to min. quantity.

Order No.	d ₁ +0.00 -0.08	l ₁ grip +1.5 -0.0	d ₂	d ₃	l ₂	l ₃	Pull out strength kg	Single shear strength kN min.
P1252.018-040	4,76 (3/16")	10,2 (0,4")	5.18	25.4	5.08	4.74	1,9 - 2,3	12.2
P1252.018-050	4,76 (3/16")	12,7 (0,5")	5.18	25.4	5.08	4.74	1,9 - 2,3	12.2
P1252.018-070	4,76 (3/16")	17,8 (0,7")	5.18	25.4	5.08	4.74	1,9 - 2,3	12.2
P1252.018-080	4,76 (3/16")	20,3 (0,8")	5.18	25.4	5.08	4.74	1,9 - 2,3	12.2
P1252.018-090	4,76 (3/16")	22,9 (0,9")	5.18	25.4	5.08	4.74	1,9 - 2,3	12.2
P1252.018-100	4,76 (3/16")	25,4 (1")	5.18	25.4	5.08	4.74	1,9 - 2,3	12.2
P1252.018-110	4,76 (3/16")	27,9 (1,1")	5.18	25.4	5.08	4.74	1,9 - 2,3	12.2
P1252.018-120	4,76 (3/16")	30,5 (1,2")	5.18	25.4	5.08	4.74	1,9 - 2,3	12.2
P1252.018-130	4,76 (3/16")	33,0 (1,3")	5.18	25.4	5.08	4.74	1,9 - 2,3	12.2
P1252.018-140	4,76 (3/16")	35,6 (1,4")	5.18	25.4	5.08	4.74	1,9 - 2,3	12.2
P1252.018-150	4,76 (3/16")	38,1 (1,5")	5.18	25.4	5.08	4.74	1,9 - 2,3	12.2
P1252.018-160	4,76 (3/16")	40,6 (1,6")	5.18	25.4	5.08	4.74	1,9 - 2,3	12.2
P1252.018-170	4,76 (3/16")	43,2 (1,7")	5.18	25.4	5.08	4.74	1,9 - 2,3	12.2
P1252.018-180	4,76 (3/16")	45,7 (1,8")	5.18	25.4	5.08	4.74	1,9 - 2,3	12.2
P1252.018-190	4,76 (3/16")	48,2 (1,9")	5.18	25.4	5.08	4.74	1,9 - 2,3	12.2
P1252.018-200	4,76 (3/16")	50,8 (2")	5.18	25.4	5.08	4.74	1,9 - 2,3	12.2
P1252.018-210	4,76 (3/16")	53,3 (2,1")	5.18	25.4	5.08	4.74	1,9 - 2,3	12.2
P1252.018-220	4,76 (3/16")	55,9 (2,2")	5.18	25.4	5.08	4.74	1,9 - 2,3	12.2
P1252.018-230	4,76 (3/16")	58,4 (2,3")	5.18	25.4	5.08	4.74	1,9 - 2,3	12.2
P1252.018-240	4,76 (3/16")	61,0 (2,4")	5.18	25.4	5.08	4.74	1,9 - 2,3	12.2
P1252.018-250	4,76 (3/16")	63,5 (2,5")	5.18	25.4	5.08	4.74	1,9 - 2,3	12.2
P1252.018-260	4,76 (3/16")	66,04 (2,6")	5.18	25.4	5.08	4.74	1,9 - 2,3	12.2
P1252.018-270	4,76 (3/16")	68,6 (2,7")	5.18	25.4	5.08	4.74	1,9 - 2,3	12.2
P1252.018-280	4,76 (3/16")	71,1 (2,8")	5.18	25.4	5.08	4.74	1,9 - 2,3	12.2
P1252.018-290	4,76 (3/16")	73,7 (2,9")	5.18	25.4	5.08	4.74	1,9 - 2,3	12.2
P1252.018-300	4,76 (3/16")	76,2 (3")	5.18	25.4	5.08	4.74	1,9 - 2,3	12.2
P1252.018-310	4,76 (3/16")	78,7 (3,1")	5.18	25.4	5.08	4.74	1,9 - 2,3	12.2
P1252.018-320	4,76 (3/16")	81,3 (3,2")	5.18	25.4	5.08	4.74	1,9 - 2,3	12.2
P1252.018-330	4,76 (3/16")	83,8 (3,3")	5.18	25.4	5.08	4.74	1,9 - 2,3	12.2
P1252.018-340	4,76 (3/16")	86,4 (3,4")	5.18	25.4	5.08	4.74	1,9 - 2,3	12.2



OTHER PINS

Order No.	d ₁ +0.00 -0.08	l ₁ grip +1.5 -0.0	d ₂	d ₃	l ₂	l ₃	Pull out strength kg	Single shear strength kN min.
P1252.018-350	4,76 (3/16")	88,9 (3,5")	5.18	25.4	5.08	4.74	1,9 - 2,3	12.2
P1252.018-360	4,76 (3/16")	91,4 (3,6")	5.18	25.4	5.08	4.74	1,9 - 2,3	12.2
P1252.018-370	4,76 (3/16")	94,0 (3,7")	5.18	25.4	5.08	4.74	1,9 - 2,3	12.2
P1252.018-380	4,76 (3/16")	96,5 (3,8")	5.18	25.4	5.08	4.74	1,9 - 2,3	12.2
P1252.018-390	4,76 (3/16")	99,1 (3,9")	5.18	25.4	5.08	4.74	1,9 - 2,3	12.2
P1252.018-400	4,76 (3/16")	101,6 (4")	5.18	25.4	5.08	4.74	1,9 - 2,3	12.2
P1252.025-040	6,35 (1/4")	10,2 (0,4")	7.26	25.4	7.92	5.58	2,27 - 2,73	21.7
P1252.025-050	6,35 (1/4")	12,7 (0,5")	7.26	25.4	7.92	5.58	2,27 - 2,73	21.7
P1252.025-060	6,35 (1/4")	15,2 (0,6")	7.26	25.4	7.92	5.58	2,27 - 2,73	21.7
P1252.025-070	6,35 (1/4")	17,8 (0,7")	7.26	25.4	7.92	5.58	2,27 - 2,73	21.7
P1252.025-080	6,35 (1/4")	20,3 (0,8")	7.26	25.4	7.92	5.58	2,27 - 2,73	21.7
P1252.025-090	6,35 (1/4")	22,9 (0,9")	7.26	25.4	7.92	5.58	2,27 - 2,73	21.7
P1252.025-100	6,35 (1/4")	25,4 (1")	7.26	25.4	7.92	5.58	2,27 - 2,73	21.7
P1252.025-110	6,35 (1/4")	27,9 (1,1")	7.26	25.4	7.92	5.58	2,27 - 2,73	21.7
P1252.025-120	6,35 (1/4")	30,5 (1,2")	7.26	25.4	7.92	5.58	2,27 - 2,73	21.7
P1252.025-130	6,35 (1/4")	33,0 (1,3")	7.26	25.4	7.92	5.58	2,27 - 2,73	21.7
P1252.025-140	6,35 (1/4")	35,6 (1,4")	7.26	25.4	7.92	5.58	2,27 - 2,73	21.7
P1252.025-150	6,35 (1/4")	38,1 (1,5")	7.26	25.4	7.92	5.58	2,27 - 2,73	21.7
P1252.025-160	6,35 (1/4")	40,6 (1,6")	7.26	25.4	7.92	5.58	2,27 - 2,73	21.7
P1252.025-170	6,35 (1/4")	43,2 (1,7")	7.26	25.4	7.92	5.58	2,27 - 2,73	21.7
P1252.025-180	6,35 (1/4")	45,7 (1,8")	7.26	25.4	7.92	5.58	2,27 - 2,73	21.7
P1252.025-190	6,35 (1/4")	48,2 (1,9")	7.26	25.4	7.92	5.58	2,27 - 2,73	21.7
P1252.025-200	6,35 (1/4")	50,8 (2")	7.26	25.4	7.92	5.58	2,27 - 2,73	21.7
P1252.025-210	6,35 (1/4")	53,3 (2,1")	7.26	25.4	7.92	5.58	2,27 - 2,73	21.7
P1252.025-220	6,35 (1/4")	55,9 (2,2")	7.26	25.4	7.92	5.58	2,27 - 2,73	21.7
P1252.025-230	6,35 (1/4")	58,4 (2,3")	7.26	25.4	7.92	5.58	2,27 - 2,73	21.7
P1252.025-240	6,35 (1/4")	61,0 (2,4")	7.26	25.4	7.92	5.58	2,27 - 2,73	21.7
P1252.025-260	6,35 (1/4")	66,04 (2,6")	7.26	25.4	7.92	5.58	2,27 - 2,73	21.7
P1252.025-270	6,35 (1/4")	68,6 (2,7")	7.26	25.4	7.92	5.58	2,27 - 2,73	21.7
P1252.025-280	6,35 (1/4")	71,1 (2,8")	7.26	25.4	7.92	5.58	2,27 - 2,73	21.7
P1252.025-290	6,35 (1/4")	73,7 (2,9")	7.26	25.4	7.92	5.58	2,27 - 2,73	21.7
P1252.025-300	6,35 (1/4")	76,2 (3")	7.26	25.4	7.92	5.58	2,27 - 2,73	21.7
P1252.025-310	6,35 (1/4")	78,7 (3,1")	7.26	25.4	7.92	5.58	2,27 - 2,73	21.7
P1252.025-320	6,35 (1/4")	81,3 (3,2")	7.26	25.4	7.92	5.58	2,27 - 2,73	21.7
P1252.025-330	6,35 (1/4")	83,8 (3,3")	7.26	25.4	7.92	5.58	2,27 - 2,73	21.7
P1252.025-340	6,35 (1/4")	86,4 (3,4")	7.26	25.4	7.92	5.58	2,27 - 2,73	21.7
P1252.025-350	6,35 (1/4")	88,9 (3,5")	7.26	25.4	7.92	5.58	2,27 - 2,73	21.7
P1252.025-360	6,35 (1/4")	91,4 (3,6")	7.26	25.4	7.92	5.58	2,27 - 2,73	21.7
P1252.025-370	6,35 (1/4")	94,0 (3,7")	7.26	25.4	7.92	5.58	2,27 - 2,73	21.7
P1252.025-380	6,35 (1/4")	96,5 (3,8")	7.26	25.4	7.92	5.58	2,27 - 2,73	21.7
P1252.025-390	6,35 (1/4")	99,1 (3,9")	7.26	25.4	7.92	5.58	2,27 - 2,73	21.7
P1252.031-060	7,93 (5/16")	15,2 (0,6")	9.09	25.4	9.52	6.35	2,27 - 2,73	33.8
P1252.031-070	7,93 (5/16")	17,8 (0,7")	9.09	25.4	9.52	6.35	2,27 - 2,73	33.8
P1252.031-080	7,93 (5/16")	20,3 (0,8")	9.09	25.4	9.52	6.35	2,27 - 2,73	33.8
P1252.031-090	7,93 (5/16")	22,9 (0,9")	9.09	25.4	9.52	6.35	2,27 - 2,73	33.8
P1252.031-100	7,93 (5/16")	25,4 (1")	9.09	25.4	9.52	6.35	2,27 - 2,73	33.8
P1252.031-110	7,93 (5/16")	27,9 (1,1")	9.09	25.4	9.52	6.35	2,27 - 2,73	33.8
P1252.031-120	7,93 (5/16")	30,5 (1,2")	9.09	25.4	9.52	6.35	2,27 - 2,73	33.8
P1252.031-130	7,93 (5/16")	33,0 (1,3")	9.09	25.4	9.52	6.35	2,27 - 2,73	33.8
P1252.031-140	7,93 (5/16")	35,6 (1,4")	9.09	25.4	9.52	6.35	2,27 - 2,73	33.8
P1252.031-150	7,93 (5/16")	38,1 (1,5")	9.09	25.4	9.52	6.35	2,27 - 2,73	33.8
P1252.031-160	7,93 (5/16")	40,6 (1,6")	9.09	25.4	9.52	6.35	2,27 - 2,73	33.8
P1252.031-170	7,93 (5/16")	43,2 (1,7")	9.09	25.4	9.52	6.35	2,27 - 2,73	33.8
P1252.031-180	7,93 (5/16")	45,7 (1,8")	9.09	25.4	9.52	6.35	2,27 - 2,73	33.8
P1252.031-190	7,93 (5/16")	48,2 (1,9")	9.09	25.4	9.52	6.35	2,27 - 2,73	33.8
P1252.031-200	7,93 (5/16")	50,8 (2")	9.09	25.4	9.52	6.35	2,27 - 2,73	33.8
P1252.031-210	7,93 (5/16")	53,3 (2,1")	9.09	25.4	9.52	6.35	2,27 - 2,73	33.8
P1252.031-220	7,93 (5/16")	55,9 (2,2")	9.09	25.4	9.52	6.35	2,27 - 2,73	33.8
P1252.031-230	7,93 (5/16")	58,4 (2,3")	9.09	25.4	9.52	6.35	2,27 - 2,73	33.8
P1252.031-240	7,93 (5/16")	61,0 (2,4")	9.09	25.4	9.52	6.35	2,27 - 2,73	33.8
P1252.031-250	7,93 (5/16")	63,5 (2,5")	9.09	25.4	9.52	6.35	2,27 - 2,73	33.8
P1252.031-260	7,93 (5/16")	66,04 (2,6")	9.09	25.4	9.52	6.35	2,27 - 2,73	33.8
P1252.031-270	7,93 (5/16")	68,6 (2,7")	9.09	25.4	9.52	6.35	2,27 - 2,73	33.8
P1252.031-280	7,93 (5/16")	71,1 (2,8")	9.09	25.4	9.52	6.35	2,27 - 2,73	33.8
P1252.031-290	7,93 (5/16")	73,7 (2,9")	9.09	25.4	9.52	6.35	2,27 - 2,73	33.8
P1252.031-300	7,93 (5/16")	76,2 (3")	9.09	25.4	9.52	6.35	2,27 - 2,73	33.8
P1252.031-310	7,93 (5/16")	78,7 (3,1")	9.09	25.4	9.52	6.35	2,27 - 2,73	33.8



Detent Pin Stainless Steel



Other Pins

Order No.	d ₁ +0.00 -0.08	l ₁ grip +1.5 -0.0	d ₂	d ₃	l ₂	l ₃	Pull out strength kg	Single shear strength kN min.
P1252.031-320	7,93 (5/16")	81,3 (3,2")	9.09	25.4	9.52	6.35	2,27 - 2,73	33.8
P1252.031-330	7,93 (5/16")	83,8 (3,3")	9.09	25.4	9.52	6.35	2,27 - 2,73	33.8
P1252.031-340	7,93 (5/16")	86,4 (3,4")	9.09	25.4	9.52	6.35	2,27 - 2,73	33.8
P1252.031-350	7,93 (5/16")	88,9 (3,5")	9.09	25.4	9.52	6.35	2,27 - 2,73	33.8
P1252.031-360	7,93 (5/16")	91,4 (3,6")	9.09	25.4	9.52	6.35	2,27 - 2,73	33.8
P1252.031-370	7,93 (5/16")	94,0 (3,7")	9.09	25.4	9.52	6.35	2,27 - 2,73	33.8
P1252.031-380	7,93 (5/16")	96,5 (3,8")	9.09	25.4	9.52	6.35	2,27 - 2,73	33.8
P1252.031-390	7,93 (5/16")	99,1 (3,9")	9.09	25.4	9.52	6.35	2,27 - 2,73	33.8
P1252.031-400	7,93 (5/16")	101,6 (4")	9.09	25.4	9.52	6.35	2,27 - 2,73	33.8
P1252.031-410	7,93 (5/16")	104,1 (4,1")	9.09	25.4	9.52	6.35	2,27 - 2,73	33.8
P1252.031-420	7,93 (5/16")	106,7 (4,2")	9.09	25.4	9.52	6.35	2,27 - 2,73	33.8
P1252.031-430	7,93 (5/16")	109,2 (4,3")	9.09	25.4	9.52	6.35	2,27 - 2,73	33.8
P1252.031-440	7,93 (5/16")	111,8 (4,4")	9.09	25.4	9.52	6.35	2,27 - 2,73	33.8
P1252.031-450	7,93 (5/16")	114,3 (4,5")	9.09	25.4	9.52	6.35	2,27 - 2,73	33.8
P1252.031-460	7,93 (5/16")	116,8 (4,6")	9.09	25.4	9.52	6.35	2,27 - 2,73	33.8
P1252.031-470	7,93 (5/16")	119,4 (4,7")	9.09	25.4	9.52	6.35	2,27 - 2,73	33.8
P1252.031-480	7,93 (5/16")	121,9 (4,8")	9.09	25.4	9.52	6.35	2,27 - 2,73	33.8
P1252.031-490	7,93 (5/16")	124,5 (4,9")	9.09	25.4	9.52	6.35	2,27 - 2,73	33.8
P1252.031-500	7,93 (5/16")	127,0 (5")	9.09	25.4	9.52	6.35	2,27 - 2,73	33.8
P1252.037-060	9,52 (3/8")	15,2 (0,6")	10.8	25.4	12.7	6.35	3,63 - 4,54	49.1
P1252.037-070	9,52 (3/8")	17,8 (0,7")	10.8	25.4	12.7	6.35	3,63 - 4,54	49.1
P1252.037-090	9,52 (3/8")	22,9 (0,9")	10.8	25.4	12.7	6.35	3,63 - 4,54	49.1
P1252.037-100	9,52 (3/8")	25,4 (1")	10.8	25.4	12.7	6.35	3,63 - 4,54	49.1
P1252.037-110	9,52 (3/8")	27,9 (1,1")	10.8	25.4	12.7	6.35	3,63 - 4,54	49.1
P1252.037-120	9,52 (3/8")	30,5 (1,2")	10.8	25.4	12.7	6.35	3,63 - 4,54	49.1
P1252.037-130	9,52 (3/8")	33,0 (1,3")	10.8	25.4	12.7	6.35	3,63 - 4,54	49.1
P1252.037-140	9,52 (3/8")	35,6 (1,4")	10.8	25.4	12.7	6.35	3,63 - 4,54	49.1
P1252.037-150	9,52 (3/8")	38,1 (1,5")	10.8	25.4	12.7	6.35	3,63 - 4,54	49.1
P1252.037-160	9,52 (3/8")	40,6 (1,6")	10.8	25.4	12.7	6.35	3,63 - 4,54	49.1
P1252.037-170	9,52 (3/8")	43,2 (1,7")	10.8	25.4	12.7	6.35	3,63 - 4,54	49.1
P1252.037-180	9,52 (3/8")	45,7 (1,8")	10.8	25.4	12.7	6.35	3,63 - 4,54	49.1
P1252.037-190	9,52 (3/8")	48,2 (1,9")	10.8	25.4	12.7	6.35	3,63 - 4,54	49.1
P1252.037-200	9,52 (3/8")	50,8 (2")	10.8	25.4	12.7	6.35	3,63 - 4,54	49.1
P1252.037-210	9,52 (3/8")	53,3 (2,1")	10.8	25.4	12.7	6.35	3,63 - 4,54	49.1
P1252.037-220	9,52 (3/8")	55,9 (2,2")	10.8	25.4	12.7	6.35	3,63 - 4,54	49.1
P1252.037-230	9,52 (3/8")	58,4 (2,3")	10.8	25.4	12.7	6.35	3,63 - 4,54	49.1
P1252.037-240	9,52 (3/8")	61,0 (2,4")	10.8	25.4	12.7	6.35	3,63 - 4,54	49.1
P1252.037-250	9,52 (3/8")	63,5 (2,5")	10.8	25.4	12.7	6.35	3,63 - 4,54	49.1
P1252.037-260	9,52 (3/8")	66,04 (2,6")	10.8	25.4	12.7	6.35	3,63 - 4,54	49.1
P1252.037-270	9,52 (3/8")	68,6 (2,7")	10.8	25.4	12.7	6.35	3,63 - 4,54	49.1
P1252.037-280	9,52 (3/8")	71,1 (2,8")	10.8	25.4	12.7	6.35	3,63 - 4,54	49.1
P1252.037-290	9,52 (3/8")	73,7 (2,9")	10.8	25.4	12.7	6.35	3,63 - 4,54	49.1
P1252.037-300	9,52 (3/8")	76,2 (3")	10.8	25.4	12.7	6.35	3,63 - 4,54	49.1
P1252.037-310	9,52 (3/8")	78,7 (3,1")	10.8	25.4	12.7	6.35	3,63 - 4,54	49.1
P1252.037-320	9,52 (3/8")	81,3 (3,2")	10.8	25.4	12.7	6.35	3,63 - 4,54	49.1
P1252.037-330	9,52 (3/8")	83,8 (3,3")	10.8	25.4	12.7	6.35	3,63 - 4,54	49.1
P1252.037-340	9,52 (3/8")	86,4 (3,4")	10.8	25.4	12.7	6.35	3,63 - 4,54	49.1
P1252.037-350	9,52 (3/8")	88,9 (3,5")	10.8	25.4	12.7	6.35	3,63 - 4,54	49.1
P1252.037-360	9,52 (3/8")	91,4 (3,6")	10.8	25.4	12.7	6.35	3,63 - 4,54	49.1
P1252.037-370	9,52 (3/8")	94,0 (3,7")	10.8	25.4	12.7	6.35	3,63 - 4,54	49.1
P1252.037-380	9,52 (3/8")	96,5 (3,8")	10.8	25.4	12.7	6.35	3,63 - 4,54	49.1
P1252.037-390	9,52 (3/8")	99,1 (3,9")	10.8	25.4	12.7	6.35	3,63 - 4,54	49.1
P1252.037-400	9,52 (3/8")	101,6 (4")	10.8	25.4	12.7	6.35	3,63 - 4,54	49.1
P1252.037-410	9,52 (3/8")	104,1 (4,1")	10.8	25.4	12.7	6.35	3,63 - 4,54	49.1
P1252.037-420	9,52 (3/8")	106,7 (4,2")	10.8	25.4	12.7	6.35	3,63 - 4,54	49.1
P1252.037-430	9,52 (3/8")	109,2 (4,3")	10.8	25.4	12.7	6.35	3,63 - 4,54	49.1
P1252.037-440	9,52 (3/8")	111,8 (4,4")	10.8	25.4	12.7	6.35	3,63 - 4,54	49.1
P1252.037-450	9,52 (3/8")	114,3 (4,5")	10.8	25.4	12.7	6.35	3,63 - 4,54	49.1
P1252.037-460	9,52 (3/8")	116,8 (4,6")	10.8	25.4	12.7	6.35	3,63 - 4,54	49.1
P1252.037-470	9,52 (3/8")	119,4 (4,7")	10.8	25.4	12.7	6.35	3,63 - 4,54	49.1
P1252.037-480	9,52 (3/8")	121,9 (4,8")	10.8	25.4	12.7	6.35	3,63 - 4,54	49.1
P1252.037-490	9,52 (3/8")	124,5 (4,9")	10.8	25.4	12.7	6.35	3,63 - 4,54	49.1
P1252.037-500	9,52 (3/8")	127,0 (5")	10.8	25.4	12.7	6.35	3,63 - 4,54	49.1
P1252.037-510	9,52 (3/8")	129,5 (5,1")	10.8	25.4	12.7	6.35	3,63 - 4,54	49.1
P1252.037-520	9,52 (3/8")	132,1 (5,2")	10.8	25.4	12.7	6.35	3,63 - 4,54	49.1
P1252.037-530	9,52 (3/8")	134,6 (5,3")	10.8	25.4	12.7	6.35	3,63 - 4,54	49.1
P1252.037-540	9,52 (3/8")	137,2 (5,4")	10.8	25.4	12.7	6.35	3,63 - 4,54	49.1

OTHER PINS

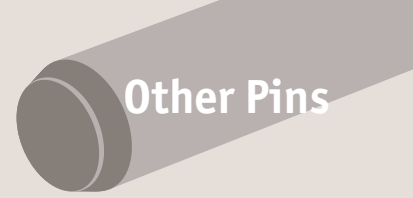


OTHER PINS

Order No.	d ₁ +0.00 -0.08	l ₁ grip +1.5 -0.0	d ₂	d ₃	l ₂	l ₃	Pull out strength kg	Single shear strength kN min.
P1252.037-560	9,52 (3/8")	142,2 (5,6")	10,8	25,4	12,7	6,35	3,63 - 4,54	49,1
P1252.037-570	9,52 (3/8")	144,8 (5,7")	10,8	25,4	12,7	6,35	3,63 - 4,54	49,1
P1252.037-580	9,52 (3/8")	147,3 (5,8")	10,8	25,4	12,7	6,35	3,63 - 4,54	49,1
P1252.037-590	9,52 (3/8")	149,9 (5,9")	10,8	25,4	12,7	6,35	3,63 - 4,54	49,1
P1252.043-050	11,1 (7/16")	12,7 (0,5")	12,5	25,4	14,2	6,35	4,09 - 5,45	66,5
P1252.043-060	11,1 (7/16")	15,2 (0,6")	12,5	25,4	14,2	6,35	4,09 - 5,45	66,5
P1252.043-070	11,1 (7/16")	17,8 (0,7")	12,5	25,4	14,2	6,35	4,09 - 5,45	66,5
P1252.043-080	11,1 (7/16")	20,3 (0,8")	12,5	25,4	14,2	6,35	4,09 - 5,45	66,5
P1252.043-090	11,1 (7/16")	22,9 (0,9")	12,5	25,4	14,2	6,35	4,09 - 5,45	66,5
P1252.043-100	11,1 (7/16")	25,4 (1")	12,5	25,4	14,2	6,35	4,09 - 5,45	66,5
P1252.043-110	11,1 (7/16")	27,9 (1,1")	12,5	25,4	14,2	6,35	4,09 - 5,45	66,5
P1252.043-120	11,1 (7/16")	30,5 (1,2")	12,5	25,4	14,2	6,35	4,09 - 5,45	66,5
P1252.043-130	11,1 (7/16")	33,0 (1,3")	12,5	25,4	14,2	6,35	4,09 - 5,45	66,5
P1252.043-140	11,1 (7/16")	35,6 (1,4")	12,5	25,4	14,2	6,35	4,09 - 5,45	66,5
P1252.043-150	11,1 (7/16")	38,1 (1,5")	12,5	25,4	14,2	6,35	4,09 - 5,45	66,5
P1252.043-160	11,1 (7/16")	40,6 (1,6")	12,5	25,4	14,2	6,35	4,09 - 5,45	66,5
P1252.043-170	11,1 (7/16")	43,2 (1,7")	12,5	25,4	14,2	6,35	4,09 - 5,45	66,5
P1252.043-180	11,1 (7/16")	45,7 (1,8")	12,5	25,4	14,2	6,35	4,09 - 5,45	66,5
P1252.043-190	11,1 (7/16")	48,2 (1,9")	12,5	25,4	14,2	6,35	4,09 - 5,45	66,5
P1252.043-200	11,1 (7/16")	50,8 (2")	12,5	25,4	14,2	6,35	4,09 - 5,45	66,5
P1252.043-210	11,1 (7/16")	53,3 (2,1")	12,5	25,4	14,2	6,35	4,09 - 5,45	66,5
P1252.043-220	11,1 (7/16")	55,9 (2,2")	12,5	25,4	14,2	6,35	4,09 - 5,45	66,5
P1252.043-230	11,1 (7/16")	58,4 (2,3")	12,5	25,4	14,2	6,35	4,09 - 5,45	66,5
P1252.043-240	11,1 (7/16")	61,0 (2,4")	12,5	25,4	14,2	6,35	4,09 - 5,45	66,5
P1252.043-250	11,1 (7/16")	63,5 (2,5")	12,5	25,4	14,2	6,35	4,09 - 5,45	66,5
P1252.043-260	11,1 (7/16")	66,04 (2,6")	12,5	25,4	14,2	6,35	4,09 - 5,45	66,5
P1252.043-270	11,1 (7/16")	68,6 (2,7")	12,5	25,4	14,2	6,35	4,09 - 5,45	66,5
P1252.043-280	11,1 (7/16")	71,1 (2,8")	12,5	25,4	14,2	6,35	4,09 - 5,45	66,5
P1252.043-290	11,1 (7/16")	73,7 (2,9")	12,5	25,4	14,2	6,35	4,09 - 5,45	66,5
P1252.043-300	11,1 (7/16")	76,2 (3")	12,5	25,4	14,2	6,35	4,09 - 5,45	66,5
P1252.043-310	11,1 (7/16")	78,7 (3,1")	12,5	25,4	14,2	6,35	4,09 - 5,45	66,5
P1252.043-320	11,1 (7/16")	81,3 (3,2")	12,5	25,4	14,2	6,35	4,09 - 5,45	66,5
P1252.043-330	11,1 (7/16")	83,8 (3,3")	12,5	25,4	14,2	6,35	4,09 - 5,45	66,5
P1252.043-340	11,1 (7/16")	86,4 (3,4")	12,5	25,4	14,2	6,35	4,09 - 5,45	66,5
P1252.043-360	11,1 (7/16")	91,4 (3,6")	12,5	25,4	14,2	6,35	4,09 - 5,45	66,5
P1252.043-370	11,1 (7/16")	94,0 (3,7")	12,5	25,4	14,2	6,35	4,09 - 5,45	66,5
P1252.043-380	11,1 (7/16")	96,5 (3,8")	12,5	25,4	14,2	6,35	4,09 - 5,45	66,5
P1252.043-390	11,1 (7/16")	99,1 (3,9")	12,5	25,4	14,2	6,35	4,09 - 5,45	66,5
P1252.043-400	11,1 (7/16")	101,6 (4")	12,5	25,4	14,2	6,35	4,09 - 5,45	66,5
P1252.043-410	11,1 (7/16")	104,1 (4,1")	12,5	25,4	14,2	6,35	4,09 - 5,45	66,5
P1252.043-420	11,1 (7/16")	106,7 (4,2")	12,5	25,4	14,2	6,35	4,09 - 5,45	66,5
P1252.043-430	11,1 (7/16")	109,2 (4,3")	12,5	25,4	14,2	6,35	4,09 - 5,45	66,5
P1252.043-440	11,1 (7/16")	111,8 (4,4")	12,5	25,4	14,2	6,35	4,09 - 5,45	66,5
P1252.043-450	11,1 (7/16")	114,3 (4,5")	12,5	25,4	14,2	6,35	4,09 - 5,45	66,5
P1252.043-460	11,1 (7/16")	116,8 (4,6")	12,5	25,4	14,2	6,35	4,09 - 5,45	66,5
P1252.043-470	11,1 (7/16")	119,4 (4,7")	12,5	25,4	14,2	6,35	4,09 - 5,45	66,5
P1252.043-480	11,1 (7/16")	121,9 (4,8")	12,5	25,4	14,2	6,35	4,09 - 5,45	66,5
P1252.043-490	11,1 (7/16")	124,5 (4,9")	12,5	25,4	14,2	6,35	4,09 - 5,45	66,5
P1252.043-500	11,1 (7/16")	127,0 (5")	12,5	25,4	14,2	6,35	4,09 - 5,45	66,5
P1252.043-510	11,1 (7/16")	129,5 (5,1")	12,5	25,4	14,2	6,35	4,09 - 5,45	66,5
P1252.043-520	11,1 (7/16")	132,1 (5,2")	12,5	25,4	14,2	6,35	4,09 - 5,45	66,5
P1252.043-530	11,1 (7/16")	134,6 (5,3")	12,5	25,4	14,2	6,35	4,09 - 5,45	66,5
P1252.043-540	11,1 (7/16")	137,2 (5,4")	12,5	25,4	14,2	6,35	4,09 - 5,45	66,5
P1252.043-550	11,1 (7/16")	139,7 (5,5")	12,5	25,4	14,2	6,35	4,09 - 5,45	66,5
P1252.043-560	11,1 (7/16")	142,2 (5,6")	12,5	25,4	14,2	6,35	4,09 - 5,45	66,5
P1252.043-570	11,1 (7/16")	144,8 (5,7")	12,5	25,4	14,2	6,35	4,09 - 5,45	66,5
P1252.043-580	11,1 (7/16")	147,3 (5,8")	12,5	25,4	14,2	6,35	4,09 - 5,45	66,5
P1252.043-590	11,1 (7/16")	149,9 (5,9")	12,5	25,4	14,2	6,35	4,09 - 5,45	66,5
P1252.043-600	11,1 (7/16")	152,4 (6")	12,5	25,4	14,2	6,35	4,09 - 5,45	66,5
P1252.050-050	12,7 (1/2")	12,7 (0,5")	14,4	31,7	15,8	7,92	4,54 - 5,45	87,1
P1252.050-060	12,7 (1/2")	15,2 (0,6")	14,4	31,7	15,8	7,92	4,54 - 5,45	87,1
P1252.050-070	12,7 (1/2")	17,8 (0,7")	14,4	31,7	15,8	7,92	4,54 - 5,45	87,1
P1252.050-080	12,7 (1/2")	20,3 (0,8")	14,4	31,7	15,8	7,92	4,54 - 5,45	87,1
P1252.050-090	12,7 (1/2")	22,9 (0,9")	14,4	31,7	15,8	7,92	4,54 - 5,45	87,1
P1252.050-100	12,7 (1/2")	25,4 (1")	14,4	31,7	15,8	7,92	4,54 - 5,45	87,1
P1252.050-110	12,7 (1/2")	27,9 (1,1")	14,4	31,7	15,8	7,92	4,54 - 5,45	87,1
P1252.050-120	12,7 (1/2")	30,5 (1,2")	14,4	31,7	15,8	7,92	4,54 - 5,45	87,1



Detent Pin Stainless Steel



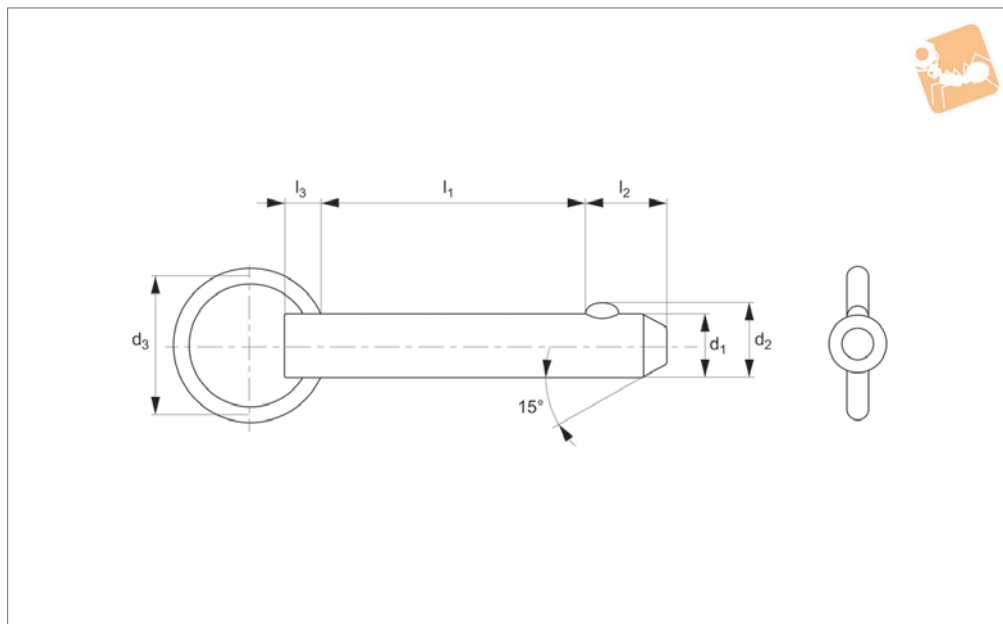
Other Pins

Order No.	d ₁ +0.00 -0.08	l ₁ grip +1.5 -0.0	d ₂	d ₃	l ₂	l ₃	Pull out strength kg	Single shear strength kN min.
P1252.050-130	12,7 (1/2")	33,0 (1,3")	14,4	31,7	15,8	7,92	4,54 - 5,45	87,1
P1252.050-140	12,7 (1/2")	35,6 (1,4")	14,4	31,7	15,8	7,92	4,54 - 5,45	87,1
P1252.050-150	12,7 (1/2")	38,1 (1,5")	14,4	31,7	15,8	7,92	4,54 - 5,45	87,1
P1252.050-160	12,7 (1/2")	40,6 (1,6")	14,4	31,7	15,8	7,92	4,54 - 5,45	87,1
P1252.050-170	12,7 (1/2")	43,2 (1,7")	14,4	31,7	15,8	7,92	4,54 - 5,45	87,1
P1252.050-180	12,7 (1/2")	45,7 (1,8")	14,4	31,7	15,8	7,92	4,54 - 5,45	87,1
P1252.050-190	12,7 (1/2")	48,2 (1,9")	14,4	31,7	15,8	7,92	4,54 - 5,45	87,1
P1252.050-200	12,7 (1/2")	50,8 (2")	14,4	31,7	15,8	7,92	4,54 - 5,45	87,1
P1252.050-210	12,7 (1/2")	53,3 (2,1")	14,4	31,7	15,8	7,92	4,54 - 5,45	87,1
P1252.050-220	12,7 (1/2")	55,9 (2,2")	14,4	31,7	15,8	7,92	4,54 - 5,45	87,1
P1252.050-230	12,7 (1/2")	58,4 (2,3")	14,4	31,7	15,8	7,92	4,54 - 5,45	87,1
P1252.050-240	12,7 (1/2")	61,0 (2,4")	14,4	31,7	15,8	7,92	4,54 - 5,45	87,1
P1252.050-250	12,7 (1/2")	63,5 (2,5")	14,4	31,7	15,8	7,92	4,54 - 5,45	87,1
P1252.050-260	12,7 (1/2")	66,04 (2,6")	14,4	31,7	15,8	7,92	4,54 - 5,45	87,1
P1252.050-270	12,7 (1/2")	68,6 (2,7")	14,4	31,7	15,8	7,92	4,54 - 5,45	87,1
P1252.050-280	12,7 (1/2")	71,1 (2,8")	14,4	31,7	15,8	7,92	4,54 - 5,45	87,1
P1252.050-290	12,7 (1/2")	73,7 (2,9")	14,4	31,7	15,8	7,92	4,54 - 5,45	87,1
P1252.050-300	12,7 (1/2")	76,2 (3")	14,4	31,7	15,8	7,92	4,54 - 5,45	87,1
P1252.050-310	12,7 (1/2")	78,7 (3,1")	14,4	31,7	15,8	7,92	4,54 - 5,45	87,1
P1252.050-320	12,7 (1/2")	81,3 (3,2")	14,4	31,7	15,8	7,92	4,54 - 5,45	87,1
P1252.050-330	12,7 (1/2")	83,8 (3,3")	14,4	31,7	15,8	7,92	4,54 - 5,45	87,1
P1252.050-340	12,7 (1/2")	86,4 (3,4")	14,4	31,7	15,8	7,92	4,54 - 5,45	87,1
P1252.050-350	12,7 (1/2")	88,9 (3,5")	14,4	31,7	15,8	7,92	4,54 - 5,45	87,1
P1252.050-360	12,7 (1/2")	91,4 (3,6")	14,4	31,7	15,8	7,92	4,54 - 5,45	87,1
P1252.050-370	12,7 (1/2")	94,0 (3,7")	14,4	31,7	15,8	7,92	4,54 - 5,45	87,1
P1252.050-380	12,7 (1/2")	96,5 (3,8")	14,4	31,7	15,8	7,92	4,54 - 5,45	87,1
P1252.050-390	12,7 (1/2")	99,1 (3,9")	14,4	31,7	15,8	7,92	4,54 - 5,45	87,1
P1252.050-400	12,7 (1/2")	101,6 (4")	14,4	31,7	15,8	7,92	4,54 - 5,45	87,1
P1252.050-410	12,7 (1/2")	104,1 (4,1")	14,4	31,7	15,8	7,92	4,54 - 5,45	87,1
P1252.050-420	12,7 (1/2")	106,7 (4,2")	14,4	31,7	15,8	7,92	4,54 - 5,45	87,1
P1252.050-430	12,7 (1/2")	109,2 (4,3")	14,4	31,7	15,8	7,92	4,54 - 5,45	87,1
P1252.050-440	12,7 (1/2")	111,8 (4,4")	14,4	31,7	15,8	7,92	4,54 - 5,45	87,1
P1252.050-450	12,7 (1/2")	114,3 (4,5")	14,4	31,7	15,8	7,92	4,54 - 5,45	87,1
P1252.050-460	12,7 (1/2")	116,8 (4,6")	14,4	31,7	15,8	7,92	4,54 - 5,45	87,1
P1252.050-470	12,7 (1/2")	119,4 (4,7")	14,4	31,7	15,8	7,92	4,54 - 5,45	87,1
P1252.050-480	12,7 (1/2")	121,9 (4,8")	14,4	31,7	15,8	7,92	4,54 - 5,45	87,1
P1252.050-490	12,7 (1/2")	124,5 (4,9")	14,4	31,7	15,8	7,92	4,54 - 5,45	87,1
P1252.050-500	12,7 (1/2")	127,0 (5")	14,4	31,7	15,8	7,92	4,54 - 5,45	87,1
P1252.050-510	12,7 (1/2")	129,5 (5,1")	14,4	31,7	15,8	7,92	4,54 - 5,45	87,1
P1252.050-520	12,7 (1/2")	132,1 (5,2")	14,4	31,7	15,8	7,92	4,54 - 5,45	87,1
P1252.050-530	12,7 (1/2")	134,6 (5,3")	14,4	31,7	15,8	7,92	4,54 - 5,45	87,1
P1252.050-540	12,7 (1/2")	137,2 (5,4")	14,4	31,7	15,8	7,92	4,54 - 5,45	87,1
P1252.050-550	12,7 (1/2")	139,7 (5,5")	14,4	31,7	15,8	7,92	4,54 - 5,45	87,1
P1252.050-560	12,7 (1/2")	142,2 (5,6")	14,4	31,7	15,8	7,92	4,54 - 5,45	87,1
P1252.050-570	12,7 (1/2")	144,8 (5,7")	14,4	31,7	15,8	7,92	4,54 - 5,45	87,1
P1252.050-580	12,7 (1/2")	147,3 (5,8")	14,4	31,7	15,8	7,92	4,54 - 5,45	87,1
P1252.050-590	12,7 (1/2")	149,9 (5,9")	14,4	31,7	15,8	7,92	4,54 - 5,45	87,1
P1252.050-600	12,7 (1/2")	152,4 (6")	14,4	31,7	15,8	7,92	4,54 - 5,45	87,1
P1252.050-610	12,7 (1/2")	154,9 (6,1")	14,4	31,7	15,8	7,92	4,54 - 5,45	87,1
P1252.050-620	12,7 (1/2")	157,5 (6,2")	14,4	31,7	15,8	7,92	4,54 - 5,45	87,1
P1252.050-630	12,7 (1/2")	160,0 (6,3")	14,4	31,7	15,8	7,92	4,54 - 5,45	87,1
P1252.050-640	12,7 (1/2")	162,6 (6,4")	14,4	31,7	15,8	7,92	4,54 - 5,45	87,1
P1252.050-650	12,7 (1/2")	165,1 (6,5")	14,4	31,7	15,8	7,92	4,54 - 5,45	87,1
P1252.050-660	12,7 (1/2")	167,6 (6,6")	14,4	31,7	15,8	7,92	4,54 - 5,45	87,1
P1252.050-670	12,7 (1/2")	170,2 (6,7")	14,4	31,7	15,8	7,92	4,54 - 5,45	87,1
P1252.050-680	12,7 (1/2")	172,7 (6,8")	14,4	31,7	15,8	7,92	4,54 - 5,45	87,1
P1252.050-690	12,7 (1/2")	175,3 (6,9")	14,4	31,7	15,8	7,92	4,54 - 5,45	87,1
P1252.050-700	12,7 (1/2")	177,8 (7")	14,4	31,7	15,8	7,92	4,54 - 5,45	87,1

OTHER PINS



P1252.2



Material

Shaft: Stainless steel, AISI 303.

Ball & Spring: Stainless steel, AISI 316.

Technical Notes

Detent pins are very economical for use in commercial and military equipment.

The solid body with direct spring loaded ball ensures reliable operation.

For locking telescopic tubing, securing bracket assemblies, as anchor clevis fittings, hinge pins etc where frequent removal is necessary.

Hole sizes - commercial drills provide clearance for our standard pins.

Inch dimensions in brackets ().

Tips

Also available on request in A4 (AISI 316) stainless steel, subject to min. quantity.

Order No.	d ₁ +0.00 -0.08	l ₁ grip +1.5 -0.0	d ₂	d ₃	l ₂	l ₃	Pull out strength kg	Single shear strength kN min.
P1252.056-100	14,2 (9/16")	25,4 (1,0")	16,3	31,7	17,4	7,92	5,45 - 6,81	110,3
P1252.056-110	14,2 (9/16")	27,9 (1,1")	16,3	31,7	17,4	7,92	5,45 - 6,81	110,3
P1252.056-120	14,2 (9/16")	30,5 (1,2")	16,3	31,7	17,4	7,92	5,45 - 6,81	110,3
P1252.056-130	14,2 (9/16")	33,0 (1,3")	16,3	31,7	17,4	7,92	5,45 - 6,81	110,3
P1252.056-140	14,2 (9/16")	35,6 (1,4")	16,3	31,7	17,4	7,92	5,45 - 6,81	110,3
P1252.056-150	14,2 (9/16")	38,1 (1,5")	16,3	31,7	17,4	7,92	5,45 - 6,81	110,3
P1252.056-160	14,2 (9/16")	40,6 (1,6")	16,3	31,7	17,4	7,92	5,45 - 6,81	110,3
P1252.056-170	14,2 (9/16")	43,2 (1,7")	16,3	31,7	17,4	7,92	5,45 - 6,81	110,3
P1252.056-180	14,2 (9/16")	45,7 (1,8")	16,3	31,7	17,4	7,92	5,45 - 6,81	110,3
P1252.056-190	14,2 (9/16")	48,3 (1,9")	16,3	31,7	17,4	7,92	5,45 - 6,81	110,3
P1252.056-200	14,2 (9/16")	50,8 (2,0")	16,3	31,7	17,4	7,92	5,45 - 6,81	110,3
P1252.056-210	14,2 (9/16")	53,3 (2,1")	16,3	31,7	17,4	7,92	5,45 - 6,81	110,3
P1252.056-220	14,2 (9/16")	55,9 (2,2")	16,3	31,7	17,4	7,92	5,45 - 6,81	110,3
P1252.056-230	14,2 (9/16")	58,4 (2,3")	16,3	31,7	17,4	7,92	5,45 - 6,81	110,3
P1252.056-240	14,2 (9/16")	61,0 (2,4")	16,3	31,7	17,4	7,92	5,45 - 6,81	110,3
P1252.056-250	14,2 (9/16")	63,5 (2,5")	16,3	31,7	17,4	7,92	5,45 - 6,81	110,3
P1252.056-260	14,2 (9/16")	66,0 (2,6")	16,3	31,7	17,4	7,92	5,45 - 6,81	110,3
P1252.056-270	14,2 (9/16")	68,6 (2,7")	16,3	31,7	17,4	7,92	5,45 - 6,81	110,3
P1252.056-280	14,2 (9/16")	71,1 (2,8")	16,3	31,7	17,4	7,92	5,45 - 6,81	110,3
P1252.056-290	14,2 (9/16")	73,7 (2,9")	16,3	31,7	17,4	7,92	5,45 - 6,81	110,3
P1252.056-300	14,2 (9/16")	76,2 (3,0")	16,3	31,7	17,4	7,92	5,45 - 6,81	110,3
P1252.056-310	14,2 (9/16")	78,7 (3,1")	16,3	31,7	17,4	7,92	5,45 - 6,81	110,3
P1252.056-320	14,2 (9/16")	81,3 (3,2")	16,3	31,7	17,4	7,92	5,45 - 6,81	110,3
P1252.056-330	14,2 (9/16")	83,8 (3,3")	16,3	31,7	17,4	7,92	5,45 - 6,81	110,3
P1252.056-340	14,2 (9/16")	86,4 (3,4")	16,3	31,7	17,4	7,92	5,45 - 6,81	110,3
P1252.056-350	14,2 (9/16")	88,9 (3,5")	16,3	31,7	17,4	7,92	5,45 - 6,81	110,3
P1252.056-360	14,2 (9/16")	91,4 (3,6")	16,3	31,7	17,4	7,92	5,45 - 6,81	110,3
P1252.056-370	14,2 (9/16")	94,0 (3,7")	16,3	31,7	17,4	7,92	5,45 - 6,81	110,3
P1252.056-380	14,2 (9/16")	96,5 (3,8")	16,3	31,7	17,4	7,92	5,45 - 6,81	110,3
P1252.056-390	14,2 (9/16")	99,1 (3,9")	16,3	31,7	17,4	7,92	5,45 - 6,81	110,3



Detent Pin Stainless Steel



Other Pins

Order No.	d ₁ +0.00 -0.08	l ₁ grip +1.5 -0.0	d ₂	d ₃	l ₂	l ₃	Pull out strength kg	Single shear strength kN min.
P1252.056-400	14,2 (9/16")	101,6 (4,0")	16,3	31,7	17,4	7,92	5,45 - 6,81	110,3
P1252.056-410	14,2 (9/16")	104,1 (4,1")	16,3	31,7	17,4	7,92	5,45 - 6,81	110,3
P1252.056-420	14,2 (9/16")	106,7 (4,2")	16,3	31,7	17,4	7,92	5,45 - 6,81	110,3
P1252.056-430	14,2 (9/16")	109,2 (4,3")	16,3	31,7	17,4	7,92	5,45 - 6,81	110,3
P1252.056-440	14,2 (9/16")	111,8 (4,4")	16,3	31,7	17,4	7,92	5,45 - 6,81	110,3
P1252.056-450	14,2 (9/16")	114,3 (4,5")	16,3	31,7	17,4	7,92	5,45 - 6,81	110,3
P1252.056-460	14,2 (9/16")	116,8 (4,6")	16,3	31,7	17,4	7,92	5,45 - 6,81	110,3
P1252.056-470	14,2 (9/16")	119,4 (4,7")	16,3	31,7	17,4	7,92	5,45 - 6,81	110,3
P1252.056-480	14,2 (9/16")	121,9 (4,8")	16,3	31,7	17,4	7,92	5,45 - 6,81	110,3
P1252.056-490	14,2 (9/16")	124,5 (4,9")	16,3	31,7	17,4	7,92	5,45 - 6,81	110,3
P1252.056-500	14,2 (9/16")	127,0 (5,0")	16,3	31,7	17,4	7,92	5,45 - 6,81	110,3
P1252.056-510	14,2 (9/16")	129,5 (5,1")	16,3	31,7	17,4	7,92	5,45 - 6,81	110,3
P1252.056-520	14,2 (9/16")	132,1 (5,2")	16,3	31,7	17,4	7,92	5,45 - 6,81	110,3
P1252.056-530	14,2 (9/16")	134,6 (5,3")	16,3	31,7	17,4	7,92	5,45 - 6,81	110,3
P1252.056-540	14,2 (9/16")	137,2 (5,4")	16,3	31,7	17,4	7,92	5,45 - 6,81	110,3
P1252.056-550	14,2 (9/16")	139,7 (5,5")	16,3	31,7	17,4	7,92	5,45 - 6,81	110,3
P1252.056-560	14,2 (9/16")	142,2 (5,6")	16,3	31,7	17,4	7,92	5,45 - 6,81	110,3
P1252.056-570	14,2 (9/16")	144,8 (5,7")	16,3	31,7	17,4	7,92	5,45 - 6,81	110,3
P1252.056-580	14,2 (9/16")	147,3 (5,8")	16,3	31,7	17,4	7,92	5,45 - 6,81	110,3
P1252.056-590	14,2 (9/16")	149,9 (5,9")	16,3	31,7	17,4	7,92	5,45 - 6,81	110,3
P1252.056-600	14,2 (9/16")	152,4 (6,0")	16,3	31,7	17,4	7,92	5,45 - 6,81	110,3
P1252.056-610	14,2 (9/16")	154,9 (6,1")	16,3	31,7	17,4	7,92	5,45 - 6,81	110,3
P1252.056-620	14,2 (9/16")	157,5 (6,2")	16,3	31,7	17,4	7,92	5,45 - 6,81	110,3
P1252.056-630	14,2 (9/16")	160,0 (6,3")	16,3	31,7	17,4	7,92	5,45 - 6,81	110,3
P1252.056-640	14,2 (9/16")	162,6 (6,4")	16,3	31,7	17,4	7,92	5,45 - 6,81	110,3
P1252.056-650	14,2 (9/16")	165,1 (6,5")	16,3	31,7	17,4	7,92	5,45 - 6,81	110,3
P1252.056-660	14,2 (9/16")	167,6 (6,6")	16,3	31,7	17,4	7,92	5,45 - 6,81	110,3
P1252.056-670	14,2 (9/16")	170,2 (6,7")	16,3	31,7	17,4	7,92	5,45 - 6,81	110,3
P1252.056-680	14,2 (9/16")	172,7 (6,8")	16,3	31,7	17,4	7,92	5,45 - 6,81	110,3
P1252.056-690	14,2 (9/16")	175,3 (6,9")	16,3	31,7	17,4	7,92	5,45 - 6,81	110,3
P1252.056-700	14,2 (9/16")	177,8 (7,0")	16,3	31,7	17,4	7,92	5,45 - 6,81	110,3
P1252.062-100	15,8 (5/8")	25,4 (1,0")	18,0	31,7	19,0	9,52	6,36 - 7,26	137,3
P1252.062-110	15,8 (5/8")	27,9 (1,1")	18,0	31,7	19,0	9,52	6,36 - 7,26	137,3
P1252.062-120	15,8 (5/8")	30,5 (1,2")	18,0	31,7	19,0	9,52	6,36 - 7,26	137,3
P1252.062-130	15,8 (5/8")	33,0 (1,3")	18,0	31,7	19,0	9,52	6,36 - 7,26	137,3
P1252.062-140	15,8 (5/8")	35,6 (1,4")	18,0	31,7	19,0	9,52	6,36 - 7,26	137,3
P1252.062-150	15,8 (5/8")	38,1 (1,5")	18,0	31,7	19,0	9,52	6,36 - 7,26	137,3
P1252.062-160	15,8 (5/8")	40,6 (1,6")	18,0	31,7	19,0	9,52	6,36 - 7,26	137,3
P1252.062-170	15,8 (5/8")	43,2 (1,7")	18,0	31,7	19,0	9,52	6,36 - 7,26	137,3
P1252.062-180	15,8 (5/8")	45,7 (1,8")	18,0	31,7	19,0	9,52	6,36 - 7,26	137,3
P1252.062-190	15,8 (5/8")	48,3 (1,9")	18,0	31,7	19,0	9,52	6,36 - 7,26	137,3
P1252.062-200	15,8 (5/8")	50,8 (2,0")	18,0	31,7	19,0	9,52	6,36 - 7,26	137,3
P1252.062-210	15,8 (5/8")	53,3 (2,1")	18,0	31,7	19,0	9,52	6,36 - 7,26	137,3
P1252.062-220	15,8 (5/8")	55,9 (2,2")	18,0	31,7	19,0	9,52	6,36 - 7,26	137,3
P1252.062-230	15,8 (5/8")	58,4 (2,3")	18,0	31,7	19,0	9,52	6,36 - 7,26	137,3
P1252.062-240	15,8 (5/8")	61,0 (2,4")	18,0	31,7	19,0	9,52	6,36 - 7,26	137,3
P1252.062-250	15,8 (5/8")	63,5 (2,5")	18,0	31,7	19,0	9,52	6,36 - 7,26	137,3
P1252.062-260	15,8 (5/8")	66,0 (2,6")	18,0	31,7	19,0	9,52	6,36 - 7,26	137,3
P1252.062-270	15,8 (5/8")	68,6 (2,7")	18,0	31,7	19,0	9,52	6,36 - 7,26	137,3
P1252.062-280	15,8 (5/8")	71,1 (2,8")	18,0	31,7	19,0	9,52	6,36 - 7,26	137,3
P1252.062-290	15,8 (5/8")	73,7 (2,9")	18,0	31,7	19,0	9,52	6,36 - 7,26	137,3
P1252.062-300	15,8 (5/8")	76,2 (3,0")	18,0	31,7	19,0	9,52	6,36 - 7,26	137,3
P1252.062-310	15,8 (5/8")	78,7 (3,1")	18,0	31,7	19,0	9,52	6,36 - 7,26	137,3
P1252.062-320	15,8 (5/8")	81,3 (3,2")	18,0	31,7	19,0	9,52	6,36 - 7,26	137,3
P1252.062-330	15,8 (5/8")	83,8 (3,3")	18,0	31,7	19,0	9,52	6,36 - 7,26	137,3
P1252.062-340	15,8 (5/8")	86,4 (3,4")	18,0	31,7	19,0	9,52	6,36 - 7,26	137,3
P1252.062-360	15,8 (5/8")	91,4 (3,6")	18,0	31,7	19,0	9,52	6,36 - 7,26	137,3
P1252.062-370	15,8 (5/8")	94,0 (3,7")	18,0	31,7	19,0	9,52	6,36 - 7,26	137,3
P1252.062-380	15,8 (5/8")	96,5 (3,8")	18,0	31,7	19,0	9,52	6,36 - 7,26	137,3
P1252.062-390	15,8 (5/8")	99,1 (3,9")	18,0	31,7	19,0	9,52	6,36 - 7,26	137,3
P1252.062-410	15,8 (5/8")	104,1 (4,1")	18,0	31,7	19,0	9,52	6,36 - 7,26	137,3
P1252.062-420	15,8 (5/8")	106,7 (4,2")	18,0	31,7	19,0	9,52	6,36 - 7,26	137,3
P1252.062-430	15,8 (5/8")	109,2 (4,3")	18,0	31,7	19,0	9,52	6,36 - 7,26	137,3
P1252.062-440	15,8 (5/8")	111,8 (4,4")	18,0	31,7	19,0	9,52	6,36 - 7,26	137,3
P1252.062-450	15,8 (5/8")	114,3 (4,5")	18,0	31,7	19,0	9,52	6,36 - 7,26	137,3
P1252.062-460	15,8 (5/8")	116,8 (4,6")	18,0	31,7	19,0	9,52	6,36 - 7,26	137,3
P1252.062-470	15,8 (5/8")	119,4 (4,7")	18,0	31,7	19,0	9,52	6,36 - 7,26	137,3

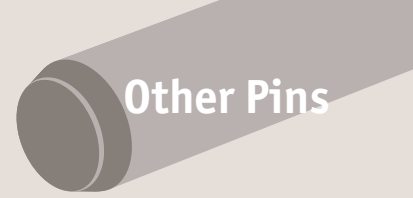
OTHER PINS



Order No.	d ₁ +0.00 -0.08	l ₁ grip +1.5 -0.0	d ₂	d ₃	l ₂	l ₃	Pull out strength kg	Single shear strength kN min.
P1252.062-480	15,8 (5/8")	121,9 (4,8")	18,0	31,7	19,0	9,52	6,36 - 7,26	137,3
P1252.062-490	15,8 (5/8")	124,5 (4,9")	18,0	31,7	19,0	9,52	6,36 - 7,26	137,3
P1252.062-510	15,8 (5/8")	129,5 (5,1")	18,0	31,7	19,0	9,52	6,36 - 7,26	137,3
P1252.062-520	15,8 (5/8")	132,1 (5,2")	18,0	31,7	19,0	9,52	6,36 - 7,26	137,3
P1252.062-530	15,8 (5/8")	134,6 (5,3")	18,0	31,7	19,0	9,52	6,36 - 7,26	137,3
P1252.062-540	15,8 (5/8")	137,2 (5,4")	18,0	31,7	19,0	9,52	6,36 - 7,26	137,3
P1252.062-550	15,8 (5/8")	139,7 (5,5")	18,0	31,7	19,0	9,52	6,36 - 7,26	137,3
P1252.062-560	15,8 (5/8")	142,2 (5,6")	18,0	31,7	19,0	9,52	6,36 - 7,26	137,3
P1252.062-570	15,8 (5/8")	144,8 (5,7")	18,0	31,7	19,0	9,52	6,36 - 7,26	137,3
P1252.062-580	15,8 (5/8")	147,3 (5,8")	18,0	31,7	19,0	9,52	6,36 - 7,26	137,3
P1252.062-590	15,8 (5/8")	149,9 (5,9")	18,0	31,7	19,0	9,52	6,36 - 7,26	137,3
P1252.062-610	15,8 (5/8")	154,9 (6,1")	18,0	31,7	19,0	9,52	6,36 - 7,26	137,3
P1252.062-620	15,8 (5/8")	157,5 (6,2")	18,0	31,7	19,0	9,52	6,36 - 7,26	137,3
P1252.062-630	15,8 (5/8")	160,0 (6,3")	18,0	31,7	19,0	9,52	6,36 - 7,26	137,3
P1252.062-640	15,8 (5/8")	162,6 (6,4")	18,0	31,7	19,0	9,52	6,36 - 7,26	137,3
P1252.062-650	15,8 (5/8")	165,1 (6,5")	18,0	31,7	19,0	9,52	6,36 - 7,26	137,3
P1252.062-660	15,8 (5/8")	167,6 (6,6")	18,0	31,7	19,0	9,52	6,36 - 7,26	137,3
P1252.062-670	15,8 (5/8")	170,2 (6,7")	18,0	31,7	19,0	9,52	6,36 - 7,26	137,3
P1252.062-680	15,8 (5/8")	172,7 (6,8")	18,0	31,7	19,0	9,52	6,36 - 7,26	137,3
P1252.062-690	15,8 (5/8")	175,3 (6,9")	18,0	31,7	19,0	9,52	6,36 - 7,26	137,3
P1252.062-700	15,8 (5/8")	177,8 (7,0")	18,0	31,7	19,0	9,52	6,36 - 7,26	137,3
P1252.062-710	15,8 (5/8")	180,3 (7,1")	18,0	31,7	19,0	9,52	6,36 - 7,26	137,3
P1252.062-720	15,8 (5/8")	182,9 (7,2")	18,0	31,7	19,0	9,52	6,36 - 7,26	137,3
P1252.062-730	15,8 (5/8")	185,4 (7,3")	18,0	31,7	19,0	9,52	6,36 - 7,26	137,3
P1252.062-740	15,8 (5/8")	188,0 (7,4")	18,0	31,7	19,0	9,52	6,36 - 7,26	137,3
P1252.062-750	15,8 (5/8")	190,5 (7,5")	18,0	31,7	19,0	9,52	6,36 - 7,26	137,3
P1252.062-760	15,8 (5/8")	193,0 (7,6")	18,0	31,7	19,0	9,52	6,36 - 7,26	137,3
P1252.062-770	15,8 (5/8")	195,6 (7,7")	18,0	31,7	19,0	9,52	6,36 - 7,26	137,3
P1252.062-780	15,8 (5/8")	198,1 (7,8")	18,0	31,7	19,0	9,52	6,36 - 7,26	137,3
P1252.062-790	15,8 (5/8")	200,7 (7,9")	18,0	31,7	19,0	9,52	6,36 - 7,26	137,3
P1252.062-800	15,8 (5/8")	203,2 (8,0")	18,0	31,7	19,0	9,52	6,36 - 7,26	137,3
P1252.075-100	19,0 (3/4")	25,4 (1,0")	21,7	38,1	23,7	9,52	8,17 - 9,98	195,9
P1252.075-110	19,0 (3/4")	27,9 (1,1")	21,7	38,1	23,7	9,52	8,17 - 9,98	195,9
P1252.075-120	19,0 (3/4")	30,5 (1,2")	21,7	38,1	23,7	9,52	8,17 - 9,98	195,9
P1252.075-130	19,0 (3/4")	33,0 (1,3")	21,7	38,1	23,7	9,52	8,17 - 9,98	195,9
P1252.075-140	19,0 (3/4")	35,6 (1,4")	21,7	38,1	23,7	9,52	8,17 - 9,98	195,9
P1252.075-150	19,0 (3/4")	38,1 (1,5")	21,7	38,1	23,7	9,52	8,17 - 9,98	195,9
P1252.075-160	19,0 (3/4")	40,6 (1,6")	21,7	38,1	23,7	9,52	8,17 - 9,98	195,9
P1252.075-170	19,0 (3/4")	43,2 (1,7")	21,7	38,1	23,7	9,52	8,17 - 9,98	195,9
P1252.075-180	19,0 (3/4")	45,7 (1,8")	21,7	38,1	23,7	9,52	8,17 - 9,98	195,9
P1252.075-190	19,0 (3/4")	48,3 (1,9")	21,7	38,1	23,7	9,52	8,17 - 9,98	195,9
P1252.075-200	19,0 (3/4")	50,8 (2,0")	21,7	38,1	23,7	9,52	8,17 - 9,98	195,9
P1252.075-210	19,0 (3/4")	53,3 (2,1")	21,7	38,1	23,7	9,52	8,17 - 9,98	195,9
P1252.075-220	19,0 (3/4")	55,9 (2,2")	21,7	38,1	23,7	9,52	8,17 - 9,98	195,9
P1252.075-230	19,0 (3/4")	58,4 (2,3")	21,7	38,1	23,7	9,52	8,17 - 9,98	195,9
P1252.075-240	19,0 (3/4")	61,0 (2,4")	21,7	38,1	23,7	9,52	8,17 - 9,98	195,9
P1252.075-260	19,0 (3/4")	66,0 (2,6")	21,7	38,1	23,7	9,52	8,17 - 9,98	195,9
P1252.075-270	19,0 (3/4")	68,6 (2,7")	21,7	38,1	23,7	9,52	8,17 - 9,98	195,9
P1252.075-280	19,0 (3/4")	71,1 (2,8")	21,7	38,1	23,7	9,52	8,17 - 9,98	195,9
P1252.075-290	19,0 (3/4")	73,7 (2,9")	21,7	38,1	23,7	9,52	8,17 - 9,98	195,9
P1252.075-300	19,0 (3/4")	76,2 (3,0")	21,7	38,1	23,7	9,52	8,17 - 9,98	195,9
P1252.075-310	19,0 (3/4")	78,7 (3,1")	21,7	38,1	23,7	9,52	8,17 - 9,98	195,9
P1252.075-320	19,0 (3/4")	81,3 (3,2")	21,7	38,1	23,7	9,52	8,17 - 9,98	195,9
P1252.075-330	19,0 (3/4")	83,8 (3,3")	21,7	38,1	23,7	9,52	8,17 - 9,98	195,9
P1252.075-340	19,0 (3/4")	86,4 (3,4")	21,7	38,1	23,7	9,52	8,17 - 9,98	195,9
P1252.075-350	19,0 (3/4")	88,9 (3,5")	21,7	38,1	23,7	9,52	8,17 - 9,98	195,9
P1252.075-360	19,0 (3/4")	91,4 (3,6")	21,7	38,1	23,7	9,52	8,17 - 9,98	195,9
P1252.075-370	19,0 (3/4")	94,0 (3,7")	21,7	38,1	23,7	9,52	8,17 - 9,98	195,9
P1252.075-380	19,0 (3/4")	96,5 (3,8")	21,7	38,1	23,7	9,52	8,17 - 9,98	195,9
P1252.075-390	19,0 (3/4")	99,1 (3,9")	21,7	38,1	23,7	9,52	8,17 - 9,98	195,9
P1252.075-400	19,0 (3/4")	101,6 (4,0")	21,7	38,1	23,7	9,52	8,17 - 9,98	195,9
P1252.075-410	19,0 (3/4")	104,1 (4,1")	21,7	38,1	23,7	9,52	8,17 - 9,98	195,9
P1252.075-420	19,0 (3/4")	106,7 (4,2")	21,7	38,1	23,7	9,52	8,17 - 9,98	195,9
P1252.075-430	19,0 (3/4")	109,2 (4,3")	21,7	38,1	23,7	9,52	8,17 - 9,98	195,9
P1252.075-440	19,0 (3/4")	111,8 (4,4")	21,7	38,1	23,7	9,52	8,17 - 9,98	195,9
P1252.075-450	19,0 (3/4")	114,3 (4,5")	21,7	38,1	23,7	9,52	8,17 - 9,98	195,9
P1252.075-460	19,0 (3/4")	116,8 (4,6")	21,7	38,1	23,7	9,52	8,17 - 9,98	195,9



Detent Pin Stainless Steel



Other Pins

Order No.	d ₁ +0.00 -0.08	l ₁ grip +1.5 -0.0	d ₂	d ₃	l ₂	l ₃	Pull out strength kg	Single shear strength kN min.
P1252.075-470	19,0 (3/4")	119,4 (4,7")	21,7	38,1	23,7	9,52	8,17 - 9,98	195,9
P1252.075-480	19,0 (3/4")	121,9 (4,8")	21,7	38,1	23,7	9,52	8,17 - 9,98	195,9
P1252.075-490	19,0 (3/4")	124,5 (4,9")	21,7	38,1	23,7	9,52	8,17 - 9,98	195,9
P1252.075-500	19,0 (3/4")	127,0 (5,0")	21,7	38,1	23,7	9,52	8,17 - 9,98	195,9
P1252.075-510	19,0 (3/4")	129,5 (5,1")	21,7	38,1	23,7	9,52	8,17 - 9,98	195,9
P1252.075-520	19,0 (3/4")	132,1 (5,2")	21,7	38,1	23,7	9,52	8,17 - 9,98	195,9
P1252.075-530	19,0 (3/4")	134,6 (5,3")	21,7	38,1	23,7	9,52	8,17 - 9,98	195,9
P1252.075-540	19,0 (3/4")	137,2 (5,4")	21,7	38,1	23,7	9,52	8,17 - 9,98	195,9
P1252.075-550	19,0 (3/4")	139,7 (5,5")	21,7	38,1	23,7	9,52	8,17 - 9,98	195,9
P1252.075-560	19,0 (3/4")	142,2 (5,6")	21,7	38,1	23,7	9,52	8,17 - 9,98	195,9
P1252.075-570	19,0 (3/4")	144,8 (5,7")	21,7	38,1	23,7	9,52	8,17 - 9,98	195,9
P1252.075-580	19,0 (3/4")	147,3 (5,8")	21,7	38,1	23,7	9,52	8,17 - 9,98	195,9
P1252.075-590	19,0 (3/4")	149,9 (5,9")	21,7	38,1	23,7	9,52	8,17 - 9,98	195,9
P1252.075-600	19,0 (3/4")	152,4 (6,0")	21,7	38,1	23,7	9,52	8,17 - 9,98	195,9
P1252.075-610	19,0 (3/4")	154,9 (6,1")	21,7	38,1	23,7	9,52	8,17 - 9,98	195,9
P1252.075-620	19,0 (3/4")	157,5 (6,2")	21,7	38,1	23,7	9,52	8,17 - 9,98	195,9
P1252.075-630	19,0 (3/4")	160,0 (6,3")	21,7	38,1	23,7	9,52	8,17 - 9,98	195,9
P1252.075-640	19,0 (3/4")	162,6 (6,4")	21,7	38,1	23,7	9,52	8,17 - 9,98	195,9
P1252.075-650	19,0 (3/4")	165,1 (6,5")	21,7	38,1	23,7	9,52	8,17 - 9,98	195,9
P1252.075-660	19,0 (3/4")	167,6 (6,6")	21,7	38,1	23,7	9,52	8,17 - 9,98	195,9
P1252.075-670	19,0 (3/4")	170,2 (6,7")	21,7	38,1	23,7	9,52	8,17 - 9,98	195,9
P1252.075-680	19,0 (3/4")	172,7 (6,8")	21,7	38,1	23,7	9,52	8,17 - 9,98	195,9
P1252.075-690	19,0 (3/4")	175,3 (6,9")	21,7	38,1	23,7	9,52	8,17 - 9,98	195,9
P1252.075-700	19,0 (3/4")	177,8 (7,0")	21,7	38,1	23,7	9,52	8,17 - 9,98	195,9
P1252.075-710	19,0 (3/4")	180,3 (7,1")	21,7	38,1	23,7	9,52	8,17 - 9,98	195,9
P1252.075-720	19,0 (3/4")	182,9 (7,2")	21,7	38,1	23,7	9,52	8,17 - 9,98	195,9
P1252.075-730	19,0 (3/4")	185,4 (7,3")	21,7	38,1	23,7	9,52	8,17 - 9,98	195,9
P1252.075-740	19,0 (3/4")	188,0 (7,4")	21,7	38,1	23,7	9,52	8,17 - 9,98	195,9
P1252.075-750	19,0 (3/4")	190,5 (7,5")	21,7	38,1	23,7	9,52	8,17 - 9,98	195,9
P1252.075-760	19,0 (3/4")	193,0 (7,6")	21,7	38,1	23,7	9,52	8,17 - 9,98	195,9
P1252.075-770	19,0 (3/4")	195,6 (7,7")	21,7	38,1	23,7	9,52	8,17 - 9,98	195,9
P1252.075-780	19,0 (3/4")	198,1 (7,8")	21,7	38,1	23,7	9,52	8,17 - 9,98	195,9
P1252.075-790	19,0 (3/4")	200,7 (7,9")	21,7	38,1	23,7	9,52	8,17 - 9,98	195,9
P1252.087-100	22,2 (7/8")	25,4 (1,0")	25,2	38,1	25,4	12,7	12,71 - 14,07	262,4
P1252.087-150	22,2 (7/8")	38,1 (1,5")	25,2	38,1	25,4	12,7	12,71 - 14,07	262,4
P1252.087-200	22,2 (7/8")	50,8 (2,0")	25,2	38,1	25,4	12,7	12,71 - 14,07	262,4
P1252.087-250	22,2 (7/8")	63,5 (2,5")	25,2	38,1	25,4	12,7	12,71 - 14,07	262,4
P1252.087-300	22,2 (7/8")	76,2 (3,0")	25,2	38,1	25,4	12,7	12,71 - 14,07	262,4
P1252.087-350	22,2 (7/8")	88,9 (3,5")	25,2	38,1	25,4	12,7	12,71 - 14,07	262,4
P1252.087-400	22,2 (7/8")	101,6 (4,0")	25,2	38,1	25,4	12,7	12,71 - 14,07	262,4
P1252.087-450	22,2 (7/8")	114,3 (4,5")	25,2	38,1	25,4	12,7	12,71 - 14,07	262,4
P1252.087-500	22,2 (7/8")	127,0 (5,0")	25,2	38,1	25,4	12,7	12,71 - 14,07	262,4
P1252.087-550	22,2 (7/8")	139,7 (5,5")	25,2	38,1	25,4	12,7	12,71 - 14,07	262,4
P1252.087-600	22,2 (7/8")	152,4 (6,0")	25,2	38,1	25,4	12,7	12,71 - 14,07	262,4
P1252.087-650	22,2 (7/8")	165,1 (6,5")	25,2	38,1	25,4	12,7	12,71 - 14,07	262,4
P1252.087-700	22,2 (7/8")	177,8 (7,0")	25,2	38,1	25,4	12,7	12,71 - 14,07	262,4
P1252.087-800	22,2 (7/8")	203,2 (8,0")	25,2	38,1	25,4	12,7	12,71 - 14,07	262,4
P1252.100-100	25,4 (1")	25,4 (1,0")	28,9	38,1	31,7	12,7	15,88 - 18,15	353,0
P1252.100-110	25,4 (1")	27,9 (1,1")	28,9	38,1	31,7	12,7	15,88 - 18,15	353,0
P1252.100-120	25,4 (1")	30,5 (1,2")	28,9	38,1	31,7	12,7	15,88 - 18,15	353,0
P1252.100-130	25,4 (1")	33,0 (1,3")	28,9	38,1	31,7	12,7	15,88 - 18,15	353,0
P1252.100-140	25,4 (1")	35,6 (1,4")	28,9	38,1	31,7	12,7	15,88 - 18,15	353,0
P1252.100-150	25,4 (1")	38,1 (1,5")	28,9	38,1	31,7	12,7	15,88 - 18,15	353,0
P1252.100-160	25,4 (1")	40,6 (1,6")	28,9	38,1	31,7	12,7	15,88 - 18,15	353,0
P1252.100-170	25,4 (1")	43,2 (1,7")	28,9	38,1	31,7	12,7	15,88 - 18,15	353,0
P1252.100-180	25,4 (1")	45,7 (1,8")	28,9	38,1	31,7	12,7	15,88 - 18,15	353,0
P1252.100-190	25,4 (1")	48,3 (1,9")	28,9	38,1	31,7	12,7	15,88 - 18,15	353,0
P1252.100-200	25,4 (1")	50,8 (2,0")	28,9	38,1	31,7	12,7	15,88 - 18,15	353,0
P1252.100-210	25,4 (1")	53,3 (2,1")	28,9	38,1	31,7	12,7	15,88 - 18,15	353,0
P1252.100-220	25,4 (1")	55,9 (2,2")	28,9	38,1	31,7	12,7	15,88 - 18,15	353,0
P1252.100-230	25,4 (1")	58,4 (2,3")	28,9	38,1	31,7	12,7	15,88 - 18,15	353,0
P1252.100-240	25,4 (1")	61,0 (2,4")	28,9	38,1	31,7	12,7	15,88 - 18,15	353,0
P1252.100-250	25,4 (1")	63,5 (2,5")	28,9	38,1	31,7	12,7	15,88 - 18,15	353,0
P1252.100-260	25,4 (1")	66,0 (2,6")	28,9	38,1	31,7	12,7	15,88 - 18,15	353,0
P1252.100-270	25,4 (1")	68,6 (2,7")	28,9	38,1	31,7	12,7	15,88 - 18,15	353,0
P1252.100-280	25,4 (1")	71,1 (2,8")	28,9	38,1	31,7	12,7	15,88 - 18,15	353,0
P1252.100-290	25,4 (1")	73,7 (2,9")	28,9	38,1	31,7	12,7	15,88 - 18,15	353,0

OTHER PINS



Order No.	d ₁ +0.00 -0.08	l ₁ grip +1.5 -0.0	d ₂	d ₃	l ₂	l ₃	Pull out strength kg	Single shear strength kN min.
P1252.100-300	25,4 (1")	76,2 (3,0")	28,9	38,1	31,7	12,7	15,88 - 18,15	353,0
P1252.100-310	25,4 (1")	78,7 (3,1")	28,9	38,1	31,7	12,7	15,88 - 18,15	353,0
P1252.100-320	25,4 (1")	81,3 (3,2")	28,9	38,1	31,7	12,7	15,88 - 18,15	353,0
P1252.100-330	25,4 (1")	83,8 (3,3")	28,9	38,1	31,7	12,7	15,88 - 18,15	353,0
P1252.100-340	25,4 (1")	86,4 (3,4")	28,9	38,1	31,7	12,7	15,88 - 18,15	353,0
P1252.100-350	25,4 (1")	88,9 (3,5")	28,9	38,1	31,7	12,7	15,88 - 18,15	353,0
P1252.100-360	25,4 (1")	91,4 (3,6")	28,9	38,1	31,7	12,7	15,88 - 18,15	353,0
P1252.100-370	25,4 (1")	94,0 (3,7")	28,9	38,1	31,7	12,7	15,88 - 18,15	353,0
P1252.100-380	25,4 (1")	96,5 (3,8")	28,9	38,1	31,7	12,7	15,88 - 18,15	353,0
P1252.100-390	25,4 (1")	99,1 (3,9")	28,9	38,1	31,7	12,7	15,88 - 18,15	353,0
P1252.100-400	25,4 (1")	101,6 (4,0")	28,9	38,1	31,7	12,7	15,88 - 18,15	353,0
P1252.100-410	25,4 (1")	104,1 (4,1")	28,9	38,1	31,7	12,7	15,88 - 18,15	353,0
P1252.100-420	25,4 (1")	106,7 (4,2")	28,9	38,1	31,7	12,7	15,88 - 18,15	353,0
P1252.100-430	25,4 (1")	109,2 (4,3")	28,9	38,1	31,7	12,7	15,88 - 18,15	353,0
P1252.100-440	25,4 (1")	111,8 (4,4")	28,9	38,1	31,7	12,7	15,88 - 18,15	353,0
P1252.100-450	25,4 (1")	114,3 (4,5")	28,9	38,1	31,7	12,7	15,88 - 18,15	353,0
P1252.100-460	25,4 (1")	116,8 (4,6")	28,9	38,1	31,7	12,7	15,88 - 18,15	353,0
P1252.100-470	25,4 (1")	119,4 (4,7")	28,9	38,1	31,7	12,7	15,88 - 18,15	353,0
P1252.100-480	25,4 (1")	121,9 (4,8")	28,9	38,1	31,7	12,7	15,88 - 18,15	353,0
P1252.100-490	25,4 (1")	124,5 (4,9")	28,9	38,1	31,7	12,7	15,88 - 18,15	353,0
P1252.100-500	25,4 (1")	127,0 (5,0")	28,9	38,1	31,7	12,7	15,88 - 18,15	353,0
P1252.100-510	25,4 (1")	129,5 (5,1")	28,9	38,1	31,7	12,7	15,88 - 18,15	353,0
P1252.100-520	25,4 (1")	132,1 (5,2")	28,9	38,1	31,7	12,7	15,88 - 18,15	353,0
P1252.100-530	25,4 (1")	134,6 (5,3")	28,9	38,1	31,7	12,7	15,88 - 18,15	353,0
P1252.100-540	25,4 (1")	137,2 (5,4")	28,9	38,1	31,7	12,7	15,88 - 18,15	353,0
P1252.100-550	25,4 (1")	139,7 (5,5")	28,9	38,1	31,7	12,7	15,88 - 18,15	353,0
P1252.100-560	25,4 (1")	142,2 (5,6")	28,9	38,1	31,7	12,7	15,88 - 18,15	353,0
P1252.100-570	25,4 (1")	144,8 (5,7")	28,9	38,1	31,7	12,7	15,88 - 18,15	353,0
P1252.100-580	25,4 (1")	147,3 (5,8")	28,9	38,1	31,7	12,7	15,88 - 18,15	353,0
P1252.100-590	25,4 (1")	149,9 (5,9")	28,9	38,1	31,7	12,7	15,88 - 18,15	353,0
P1252.100-600	25,4 (1")	152,4 (6,0")	28,9	38,1	31,7	12,7	15,88 - 18,15	353,0
P1252.100-610	25,4 (1")	154,9 (6,1")	28,9	38,1	31,7	12,7	15,88 - 18,15	353,0
P1252.100-620	25,4 (1")	157,5 (6,2")	28,9	38,1	31,7	12,7	15,88 - 18,15	353,0
P1252.100-630	25,4 (1")	160,0 (6,3")	28,9	38,1	31,7	12,7	15,88 - 18,15	353,0
P1252.100-640	25,4 (1")	162,6 (6,4")	28,9	38,1	31,7	12,7	15,88 - 18,15	353,0
P1252.100-650	25,4 (1")	165,1 (6,5")	28,9	38,1	31,7	12,7	15,88 - 18,15	353,0
P1252.100-660	25,4 (1")	167,6 (6,6")	28,9	38,1	31,7	12,7	15,88 - 18,15	353,0
P1252.100-670	25,4 (1")	170,2 (6,7")	28,9	38,1	31,7	12,7	15,88 - 18,15	353,0
P1252.100-680	25,4 (1")	172,7 (6,8")	28,9	38,1	31,7	12,7	15,88 - 18,15	353,0
P1252.100-690	25,4 (1")	175,3 (6,9")	28,9	38,1	31,7	12,7	15,88 - 18,15	353,0
P1252.100-700	25,4 (1")	177,8 (7,0")	28,9	38,1	31,7	12,7	15,88 - 18,15	353,0
P1252.100-710	25,4 (1")	180,3 (7,1")	28,9	38,1	31,7	12,7	15,88 - 18,15	353,0
P1252.100-720	25,4 (1")	182,9 (7,2")	28,9	38,1	31,7	12,7	15,88 - 18,15	353,0
P1252.100-730	25,4 (1")	185,4 (7,3")	28,9	38,1	31,7	12,7	15,88 - 18,15	353,0
P1252.100-740	25,4 (1")	188,0 (7,4")	28,9	38,1	31,7	12,7	15,88 - 18,15	353,0
P1252.100-750	25,4 (1")	190,5 (7,5")	28,9	38,1	31,7	12,7	15,88 - 18,15	353,0
P1252.100-760	25,4 (1")	193,0 (7,6")	28,9	38,1	31,7	12,7	15,88 - 18,15	353,0
P1252.100-770	25,4 (1")	195,6 (7,7")	28,9	38,1	31,7	12,7	15,88 - 18,15	353,0
P1252.100-780	25,4 (1")	198,1 (7,8")	28,9	38,1	31,7	12,7	15,88 - 18,15	353,0
P1252.100-790	25,4 (1")	200,7 (7,9")	28,9	38,1	31,7	12,7	15,88 - 18,15	353,0
P1252.100-800	25,4 (1")	203,2 (8,0")	28,9	38,1	31,7	12,7	15,88 - 18,15	353,0

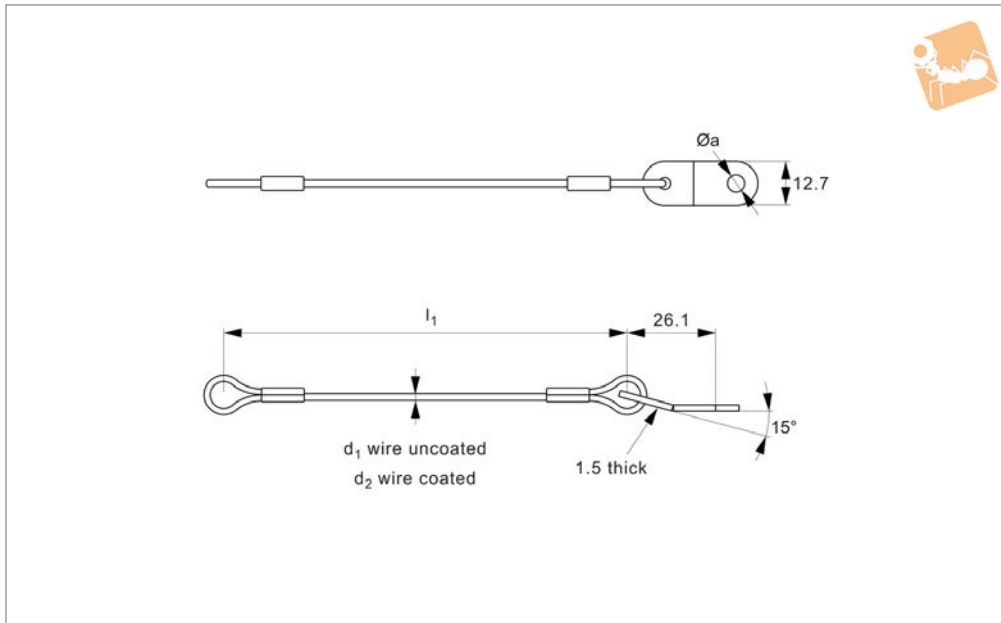


Lanyard - Loop to Rectangular Tab

tab and crimps stainless steel



Other Pins



P1254

OTHER PINS

Material

Material

Wire rope: stainless steel 7x7 wire, RR-W-410.

Coating (if present): vinyl (to MIL-I-631), see table.

Crimps/sleeves: stainless steel (to MIL-51844).

Tabs: stainless steel, 300 Series (ASTM AA240/A666)

Technical Notes

Rated wire strength, or min. breaking

strength, for unassembled, uncoated wire thickness $\text{Ø}d_1$:

$\text{Ø}d_1$ of 1.2mm = 120kg approx.

$\text{Ø}d_1$ of 1.6mm = 210kg approx.

Load rating of assembled and crimped lanyard is based on crimp failure test of approx. 13kg.

Temperature resistance:

-Uncoated – up to + 250°c

-Coated – 0°c to 80°c

Tips

For use in securing components to assemb-

lies, or to avoid items being misplaced.

Special manufacture lanyards available on request, subject to minimum quantities.

For our wide range of quick release pins see part nos. through QR5590. For split rings see part no. .

Order No.	Vinyl coating	d_1 wire uncoated	l_1	d_2 wire coated	$\text{Ø} a$
P1254.150-C1	Clear	1.19	154.4	1.59	5.1
P1254.200-C1	Clear	1.19	203.2	1.59	5.1
P1254.250-C1	Clear	1.19	254.0	1.59	5.1
P1254.300-C1	Clear	1.19	304.8	1.59	5.1
P1254.150-C2	Clear	1.19	152.4	1.59	7.1
P1254.200-C2	Clear	1.59	203.2	3.18	7.1
P1254.250-C2	Clear	1.59	254.0	3.18	7.1
P1254.300-C2	Clear	1.59	304.8	3.18	7.1
P1254.150-B1	Black	1.19	152.4	1.59	5.1
P1254.200-B1	Black	1.19	203.2	1.59	5.1
P1254.250-B1	Black	1.19	254.0	1.59	5.1
P1254.300-B1	Black	1.19	304.8	1.59	5.1
P1254.150-B2	Black	1.59	152.4	3.18	7.1
P1254.200-B2	Black	1.59	203.2	3.18	7.1
P1254.250-B2	Black	1.59	254.0	3.18	7.1
P1254.150-G1	Green	1.19	152.4	1.59	5.1
P1254.200-G1	Green	1.19	203.2	1.59	5.1
P1254.250-G1	Green	1.19	254.0	1.59	5.1
P1254.300-G1	Green	1.19	304.8	1.59	5.1
P1254.150-G2	Green	1.59	152.4	3.18	7.1
P1254.200-G2	Green	1.59	203.2	3.18	7.1
P1254.250-G2	Green	1.59	254.0	3.18	7.1
P1254.300-G2	Green	1.59	304.8	3.18	7.1
P1254.150-N1	Uncoated	1.19	152.4	-	5.1
P1254.200-N1	Uncoated	1.19	203.2	-	5.1

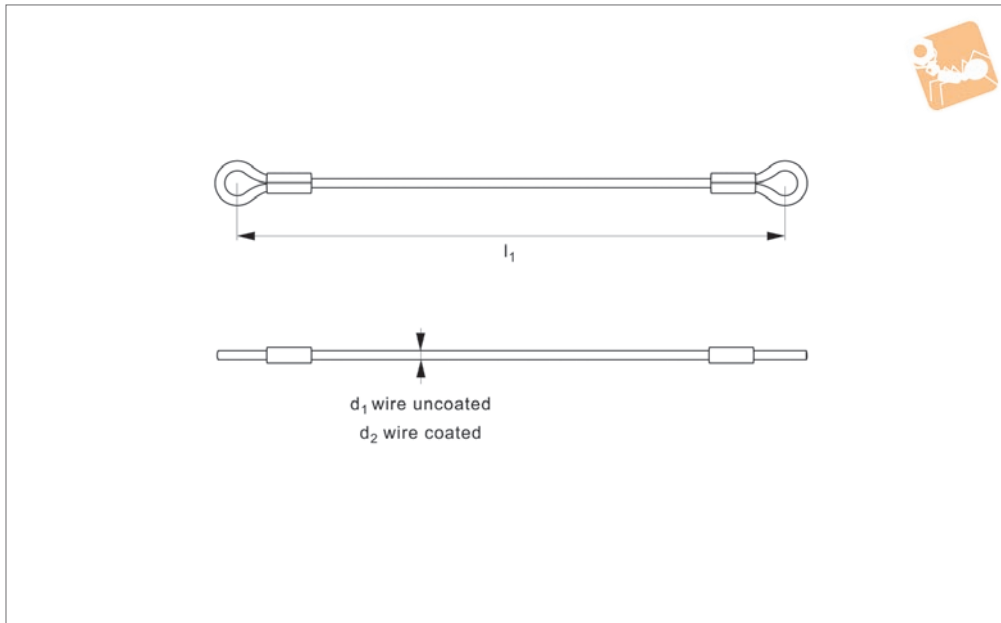


Order No.	Vinyl coating	d ₁ wire uncoated	l ₁	d ₂ wire coated	Ø a
P1254.250-N1	Uncoated	1.19	254.0	-	5.1
P1254.300-N1	Uncoated	1.19	304.8	-	5.1
P1254.150-N2	Uncoated	1.59	152.4	-	7.1
P1254.200-N2	Uncoated	1.59	203.2	-	7.1
P1254.300-N2	Uncoated	1.59	304.8	-	7.1

Lanyard - Loop to Loop

crimps stainless steel

Other Pins



P1255

OTHER PINS

Material

Wire rope: stainless steel 7x7 wire, RR-W-410.

Coating (if present): vinyl (to MIL-I-631), see table.

Crimps/sleeves: stainless steel (to MIL-51844).

Technical Notes

Rated wire strength, or min. breaking

strength, for unassembled, uncoated wire thickness $\varnothing d_1$:

$\varnothing d_1$ of 1.2mm = 120kg approx.

$\varnothing d_1$ of 1.6mm = 210kg approx.

Load rating of assembled and crimped lanyard is based on crimp failure test of approx. 13kg.

Temperature resistance:

-Uncoated – up to + 250°C

-Coated – 0°C to 80°C

Tips

For use in securing components to assemblies, or to avoid items being misplaced. Special manufacture lanyards available on request, subject to minimum quantities. For our wide range of quick release pins see part nos. through QR5590. For split rings see part no. .

Order No.	Vinyl coating	d_1 wire uncoated	l_1	d_2 wire coated
P1255.150-C1	Clear	1.19	152.4	1.59
P1255.200-C1	Clear	1.19	203.2	1.59
P1255.250-C1	Clear	1.19	254.0	1.59
P1255.300-C1	Clear	1.19	304.8	1.59
P1255.150-C2	Clear	1.59	152.4	3.18
P1255.200-C2	Clear	1.59	203.2	3.18
P1255.250-C2	Clear	1.59	254.0	3.18
P1255.300-C2	Clear	1.59	304.8	3.18
P1255.150-B1	Black	1.19	152.4	1.59
P1255.200-B1	Black	1.19	203.2	1.59
P1255.250-B1	Black	1.19	254.0	1.59
P1255.300-B1	Black	1.19	304.8	1.59
P1255.150-B2	Black	1.59	152.4	3.18
P1255.200-B2	Black	1.59	203.2	3.18
P1255.250-B2	Black	1.59	254.0	3.18
P1255.150-G1	Green	1.19	152.4	1.59
P1255.200-G1	Green	1.19	203.2	1.59
P1255.250-G1	Green	1.19	254.0	1.59
P1255.300-G1	Green	1.19	304.8	1.59
P1255.150-G2	Green	1.59	152.4	3.18
P1255.200-G2	Green	1.59	203.2	3.18
P1255.250-G2	Green	1.59	254.0	3.18
P1255.300-G2	Green	1.59	304.8	3.18
P1255.150-N1	Uncoated	1.19	152.4	-
P1255.200-N1	Uncoated	1.19	203.2	-
P1255.250-N1	Uncoated	1.19	254.0	-
P1255.300-N1	Uncoated	1.19	304.8	-
P1255.150-N2	Uncoated	1.59	152.4	-



Order No.	Vinyl coating	d ₁ wire uncoated	l ₁	d ₂ wire coated
P1255.200-N2	Uncoated	1.59	203.2	-
P1255.250-N2	Uncoated	1.59	254.0	-
P1255.300-N2	Uncoated	1.59	304.8	-