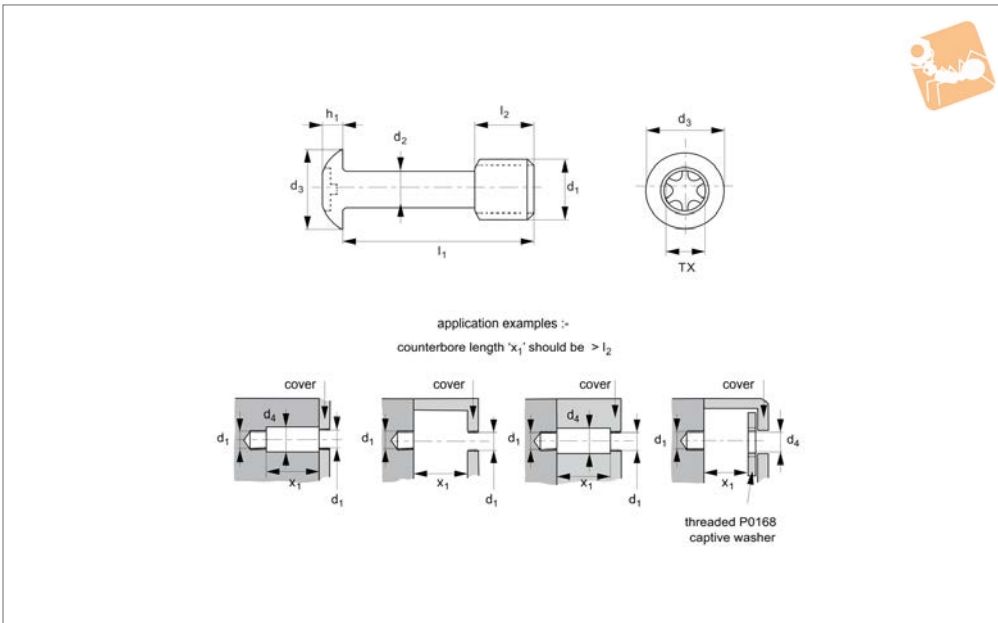




Captive Screws - Button Head

TX drive - 303 stainless, blackened



P0149.B2

CAPTIVE SCREWS

Material

Stainless steel (AISI 303, 1.4305), black oxide coating. Tensile strength 550 N/mm². Proof stress min. 190 N/mm², austenitic stainless steel.

Also available in marine grade stainless steel (AISI 316 series; P0149.B4), titanium (P0149.Ti) and on request in steel (anodised, black oxide or zinc plated)

brass, aluminium etc.

Technical Notes

Used to comply with the Machinery Directive 2006/42/EC. Generally to ISO 7380-1. Often used with our captive washers (P0168) or retaining flanges (P0169 - for sheet metal applications). The use of our captive washers should be considered

when fitted in panels with unthreaded holes.

Important Notes

Please note that these screws have a reduced diameter shank and should not be tightened to the recommended torque for an equivalent machine screw of size d₁.

| Order No. | d ₁ | l ₁ 0,25 | d ₂ 0,12 | l ₂ -0.2 | d ₃ max. | d ₄ min. | h ₁ max. | TX size |
|------------------|----------------|------------------------|------------------------|------------------------|------------------------|------------------------|------------------------|---------|
| P0149.025-008-B2 | M 2,5 | 8 | 1.7 | 3.7 | 4.5 | 2.8 | 1.5 | TX- 8 |
| P0149.025-010-B2 | M 2,5 | 10 | 1.7 | 3.7 | 4.5 | 2.8 | 1.5 | TX- 8 |
| P0149.025-012-B2 | M 2,5 | 12 | 1.7 | 3.7 | 4.5 | 2.8 | 1.5 | TX- 8 |
| P0149.025-016-B2 | M 2,5 | 16 | 1.7 | 3.7 | 4.5 | 2.8 | 1.5 | TX- 8 |
| P0149.025-020-B2 | M 2,5 | 20 | 1.7 | 3.7 | 4.5 | 2.8 | 1.5 | TX- 8 |
| P0149.030-010-B2 | M 3 | 10 | 2.0 | 4.5 | 5.7 | 3.5 | 1.65 | TX-10 |
| P0149.030-016-B2 | M 3 | 16 | 2.0 | 4.5 | 5.7 | 3.5 | 1.65 | TX-10 |
| P0149.030-020-B2 | M 3 | 20 | 2.0 | 4.5 | 5.7 | 3.5 | 1.65 | TX-10 |
| P0149.030-025-B2 | M 3 | 25 | 2.0 | 4.5 | 5.7 | 3.5 | 1.65 | TX-10 |
| P0149.030-030-B2 | M 3 | 30 | 2.0 | 4.5 | 5.7 | 3.5 | 1.65 | TX-10 |
| P0149.030-040-B2 | M 3 | 40 | 2.0 | 5.0 | 5.7 | 3.5 | 1.65 | TX-10 |
| P0149.040-012-B2 | M 4 | 12 | 2.8 | 6.0 | 7.6 | 4.5 | 3.1 | TX-20 |
| P0149.040-016-B2 | M 4 | 16 | 2.8 | 6.0 | 7.6 | 4.5 | 3.1 | TX-20 |
| P0149.040-020-B2 | M 4 | 20 | 2.8 | 6.0 | 7.6 | 4.5 | 3.1 | TX-20 |
| P0149.040-025-B2 | M 4 | 25 | 2.8 | 6.0 | 7.6 | 4.5 | 3.1 | TX-20 |
| P0149.040-030-B2 | M 4 | 30 | 2.8 | 6.0 | 7.6 | 4.5 | 3.1 | TX-20 |
| P0149.040-040-B2 | M 4 | 40 | 2.8 | 6.0 | 7.6 | 4.5 | 3.1 | TX-20 |
| P0149.040-050-B2 | M 4 | 50 | 2.8 | 6.0 | 7.6 | 4.5 | 3.1 | TX-20 |
| P0149.040-060-B2 | M 4 | 60 | 2.8 | 6.0 | 7.6 | 4.5 | 3.1 | TX-20 |
| P0149.050-012-B2 | M 5 | 12 | 3.7 | 7.5 | 9.5 | 5.5 | 3.7 | TX-25 |
| P0149.050-016-B2 | M 5 | 16 | 3.7 | 7.5 | 9.5 | 5.5 | 3.7 | TX-25 |
| P0149.050-020-B2 | M 5 | 20 | 3.7 | 7.5 | 9.5 | 5.5 | 3.7 | TX-25 |
| P0149.050-025-B2 | M 5 | 25 | 3.7 | 7.5 | 9.5 | 5.5 | 3.7 | TX-25 |
| P0149.050-030-B2 | M 5 | 30 | 3.7 | 7.5 | 9.5 | 5.5 | 3.7 | TX-25 |
| P0149.050-040-B2 | M 5 | 40 | 3.7 | 7.5 | 9.5 | 5.5 | 3.7 | TX-25 |
| P0149.050-050-B2 | M 5 | 50 | 3.7 | 7.5 | 9.5 | 5.5 | 3.7 | TX-25 |
| P0149.050-060-B2 | M 5 | 60 | 3.7 | 7.5 | 9.5 | 5.5 | 3.7 | TX-25 |
| P0149.060-016-B2 | M 6 | 16 | 4.2 | 7.5 | 10.5 | 6.5 | 4.7 | TX-30 |



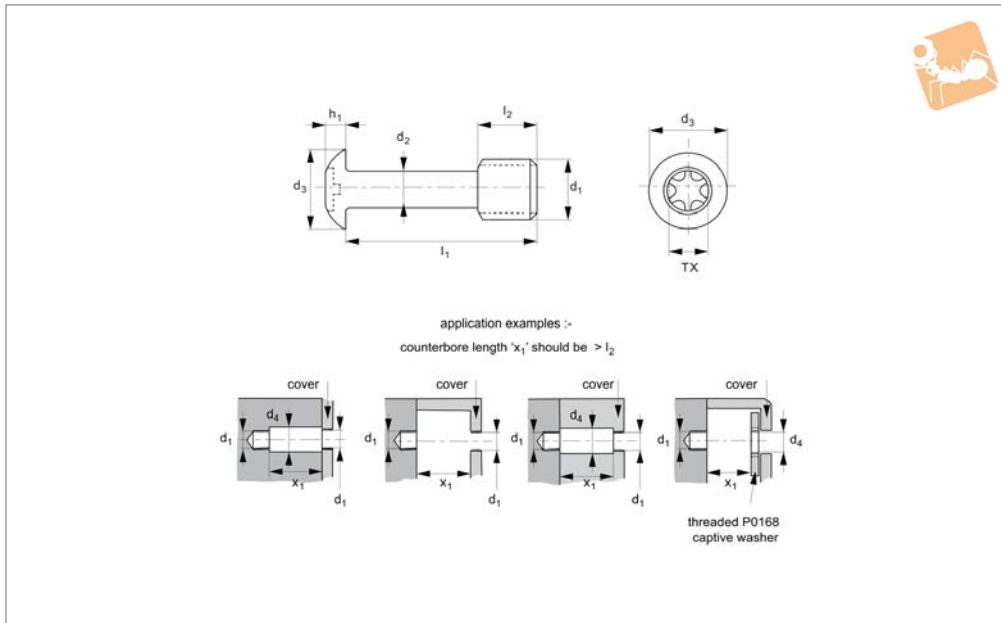
| Order No. | d ₁ | l ₁ 0,25 | d ₂ 0,12 | l ₂ -0,2 | d ₃ max. | d ₄ min. | h ₁ max. | TX size |
|------------------|----------------|------------------------|------------------------|------------------------|------------------------|------------------------|------------------------|---------|
| P0149.060-020-B2 | M 6 | 20 | 4.2 | 7.5 | 10.5 | 6.5 | 4.7 | TX-30 |
| P0149.060-025-B2 | M 6 | 25 | 4.2 | 7.5 | 10.5 | 6.5 | 4.7 | TX-30 |
| P0149.060-030-B2 | M 6 | 30 | 4.2 | 7.5 | 10.5 | 6.5 | 4.7 | TX-30 |
| P0149.060-040-B2 | M 6 | 40 | 4.2 | 7.5 | 10.5 | 6.5 | 4.7 | TX-30 |
| P0149.060-050-B2 | M 6 | 50 | 4.2 | 7.5 | 10.5 | 6.5 | 4.7 | TX-30 |
| P0149.060-060-B2 | M 6 | 60 | 4.2 | 7.5 | 10.5 | 6.5 | 4.7 | TX-30 |
| P0149.060-080-B2 | M 6 | 80 | 4.2 | 7.5 | 10.5 | 6.5 | 4.7 | TX-30 |



Captive Screws - Button Head

TX drive - 316 stainless, blackened

Captive Screws



P0149.B4

CAPTIVE SCREWS

Material

Stainless steel (AISI 316, 1.4401), black oxide coating. Tensile strength 550 N/mm².

For version without black oxide coating, see P0149.A4, or for a cheaper version in 303 series stainless steel, see P0149.A2. Also available in titanium (P0149.Ti) and on request in steel, brass, aluminium etc.

Technical Notes

Used to comply with the Machinery Directive 2006/42/EC. Generally to ISO 7380-1. Often used with our captive washers (P0168) or retaining flanges (P0169 - for sheet metal applications). The use of our captive washers should be considered when fitted in panels with unthreaded holes.

Important Notes

Please note that these screws have a reduced diameter shank and should not be tightened to the recommended torque for an equivalent machine screw of size d₁.

| Order No. | d ₁ | l ₁ 0,25 | d ₂ 0,12 | l ₂ -0.2 | d ₃ max. | d ₄ min. | h ₁ max. | TX size |
|------------------|----------------|------------------------|------------------------|------------------------|------------------------|------------------------|------------------------|---------|
| P0149.025-008-B4 | M 2,5 | 8 | 1.7 | 3.7 | 4.5 | 2.8 | 1.5 | TX- 8 |
| P0149.025-010-B4 | M 2,5 | 10 | 1.7 | 3.7 | 4.5 | 2.8 | 1.5 | TX- 8 |
| P0149.025-012-B4 | M 2,5 | 12 | 1.7 | 3.7 | 4.5 | 2.8 | 1.5 | TX- 8 |
| P0149.025-016-B4 | M 2,5 | 16 | 1.7 | 3.7 | 4.5 | 2.8 | 1.5 | TX- 8 |
| P0149.025-020-B4 | M 2,5 | 20 | 1.7 | 3.7 | 4.5 | 2.8 | 1.5 | TX- 8 |
| P0149.030-010-B4 | M 3 | 10 | 2.0 | 4.5 | 5.7 | 3.5 | 1.65 | TX-10 |
| P0149.030-016-B4 | M 3 | 16 | 2.0 | 4.5 | 5.7 | 3.5 | 1.65 | TX-10 |
| P0149.030-020-B4 | M 3 | 20 | 2.0 | 4.5 | 5.7 | 3.5 | 1.65 | TX-10 |
| P0149.030-025-B4 | M 3 | 25 | 2.0 | 4.5 | 5.7 | 3.5 | 1.65 | TX-10 |
| P0149.030-030-B4 | M 3 | 30 | 2.0 | 4.5 | 5.7 | 3.5 | 1.65 | TX-10 |
| P0149.030-040-B4 | M 3 | 40 | 2.0 | 5.0 | 5.7 | 3.5 | 1.65 | TX-10 |
| P0149.040-012-B4 | M 4 | 12 | 2.8 | 6.0 | 7.6 | 4.5 | 3.1 | TX-20 |
| P0149.040-016-B4 | M 4 | 16 | 2.8 | 6.0 | 7.6 | 4.5 | 3.1 | TX-20 |
| P0149.040-020-B4 | M 4 | 20 | 2.8 | 6.0 | 7.6 | 4.5 | 3.1 | TX-20 |
| P0149.040-025-B4 | M 4 | 25 | 2.8 | 6.0 | 7.6 | 4.5 | 3.1 | TX-20 |
| P0149.040-030-B4 | M 4 | 30 | 2.8 | 6.0 | 7.6 | 4.5 | 3.1 | TX-20 |
| P0149.040-040-B4 | M 4 | 40 | 2.8 | 6.0 | 7.6 | 4.5 | 3.1 | TX-20 |
| P0149.040-050-B4 | M 4 | 50 | 2.8 | 6.0 | 7.6 | 4.5 | 3.1 | TX-20 |
| P0149.040-060-B4 | M 4 | 60 | 2.8 | 6.0 | 7.6 | 4.5 | 3.1 | TX-20 |
| P0149.050-012-B4 | M 5 | 12 | 3.7 | 7.5 | 9.5 | 5.5 | 3.7 | TX-25 |
| P0149.050-016-B4 | M 5 | 16 | 3.7 | 7.5 | 9.5 | 5.5 | 3.7 | TX-25 |
| P0149.050-020-B4 | M 5 | 20 | 3.7 | 7.5 | 9.5 | 5.5 | 3.7 | TX-25 |
| P0149.050-025-B4 | M 5 | 25 | 3.7 | 7.5 | 9.5 | 5.5 | 3.7 | TX-25 |
| P0149.050-030-B4 | M 5 | 30 | 3.7 | 7.5 | 9.5 | 5.5 | 3.7 | TX-25 |
| P0149.050-040-B4 | M 5 | 40 | 3.7 | 7.5 | 9.5 | 5.5 | 3.7 | TX-25 |
| P0149.050-050-B4 | M 5 | 50 | 3.7 | 7.5 | 9.5 | 5.5 | 3.7 | TX-25 |
| P0149.050-060-B4 | M 5 | 60 | 3.7 | 7.5 | 9.5 | 5.5 | 3.7 | TX-25 |
| P0149.060-016-B4 | M 6 | 16 | 4.2 | 7.5 | 10.5 | 6.5 | 4.7 | TX-30 |



| Order No. | d ₁ | l ₁ 0,25 | d ₂ 0,12 | l ₂ -0,2 | d ₃ max. | d ₄ min. | h ₁ max. | TX size |
|------------------|----------------|------------------------|------------------------|------------------------|------------------------|------------------------|------------------------|---------|
| P0149.060-020-B4 | M 6 | 20 | 4.2 | 7.5 | 10.5 | 6.5 | 4.7 | TX-30 |
| P0149.060-025-B4 | M 6 | 25 | 4.2 | 7.5 | 10.5 | 6.5 | 4.7 | TX-30 |
| P0149.060-030-B4 | M 6 | 30 | 4.2 | 7.5 | 10.5 | 6.5 | 4.7 | TX-30 |
| P0149.060-040-B4 | M 6 | 40 | 4.2 | 7.5 | 10.5 | 6.5 | 4.7 | TX-30 |
| P0149.060-050-B4 | M 6 | 50 | 4.2 | 7.5 | 10.5 | 6.5 | 4.7 | TX-30 |
| P0149.060-060-B4 | M 6 | 60 | 4.2 | 7.5 | 10.5 | 6.5 | 4.7 | TX-30 |
| P0149.060-080-B4 | M 6 | 80 | 4.2 | 7.5 | 10.5 | 6.5 | 4.7 | TX-30 |

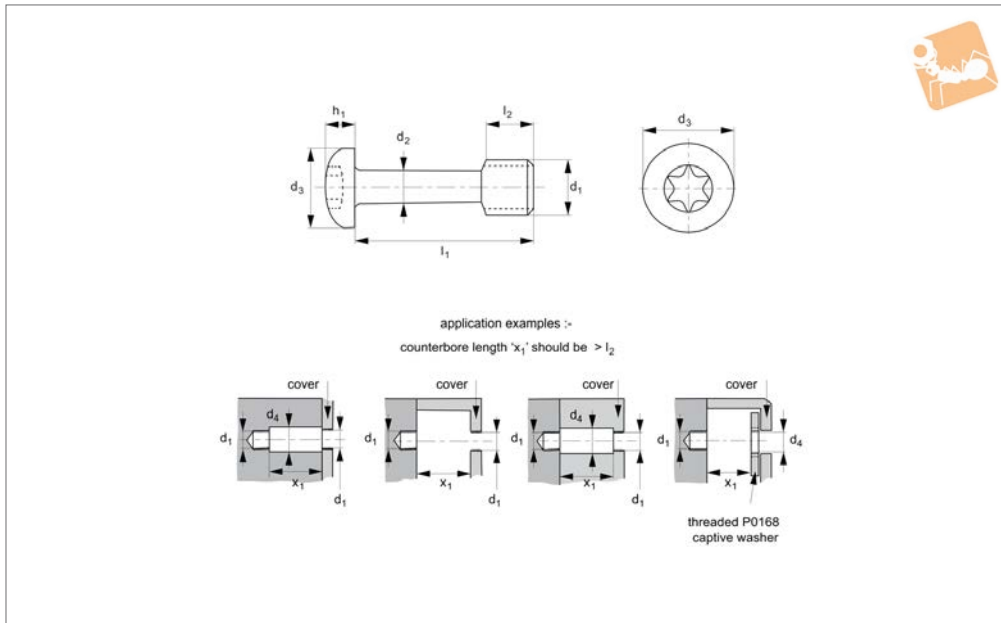


Captive Screws - Pan Head

TX drive - 303 stainless, blackened



Captive Screws



P0150.B2

CAPTIVE SCREWS

Material

Stainless steel (AISI 303, 1.4305), black oxide coating. Tensile strength 550 N/mm². Proof stress min. 190 N/mm², austenitic stainless steel.
Also available on request in steel (anodised, black oxide or zinc plated), stainless steel (AISI 316, 1.440), brass, aluminium etc.

Technical Notes

Used to comply with the Machinery Directive 2006/42/EC. Generally to ISO 14583. Often used with our captive washer (P0168) or retaining flanges (P0169 - for sheet metal applications). The use of our captive washer should be considered when fitted in panels with unthreaded holes.
*M 8 sizes have a reduced TX size.

Important Notes

Please note that these screws have a reduced diameter shank and should not be tightened to the recommended torque for an equivalent machine screw of size d₁.

| Order No. | d ₁ | l ₁ ±0.25 | d ₂ ±0.12 | l ₂ ±0.25 | d ₃ max. | d ₄ min. | h ₁ max. | TX size |
|------------------|----------------|-------------------------|-------------------------|-------------------------|------------------------|------------------------|------------------------|---------|
| P0150.030-008-B2 | M 3 | 8 | 2.0 | 4.5 | 6 | 3.5 | 2.5 | TX-10 |
| P0150.030-010-B2 | M 3 | 10 | 2.0 | 4.5 | 6 | 3.5 | 2.5 | TX-10 |
| P0150.030-016-B2 | M 3 | 16 | 2.0 | 4.5 | 6 | 3.5 | 2.5 | TX-10 |
| P0150.030-020-B2 | M 3 | 20 | 2.0 | 4.5 | 6 | 3.5 | 2.5 | TX-10 |
| P0150.030-025-B2 | M 3 | 25 | 2.0 | 4.5 | 6 | 3.5 | 2.5 | TX-10 |
| P0150.030-030-B2 | M 3 | 30 | 2.0 | 4.5 | 6 | 3.5 | 2.5 | TX-10 |
| P0150.040-008-B2 | M 4 | 8 | 2.8 | 6.0 | 8 | 4.5 | 3.2 | TX-20 |
| P0150.040-010-B2 | M 4 | 10 | 2.8 | 6.0 | 8 | 4.5 | 3.2 | TX-20 |
| P0150.040-012-B2 | M 4 | 12 | 2.8 | 6.0 | 8 | 4.5 | 3.2 | TX-20 |
| P0150.040-016-B2 | M 4 | 16 | 2.8 | 6.0 | 8 | 4.5 | 3.2 | TX-20 |
| P0150.040-020-B2 | M 4 | 20 | 2.8 | 6.0 | 8 | 4.5 | 3.2 | TX-20 |
| P0150.040-025-B2 | M 4 | 25 | 2.8 | 6.0 | 8 | 4.5 | 3.2 | TX-20 |
| P0150.040-030-B2 | M 4 | 30 | 2.8 | 6.0 | 8 | 4.5 | 3.2 | TX-20 |
| P0150.040-040-B2 | M 4 | 40 | 2.8 | 6.0 | 8 | 4.5 | 3.2 | TX-20 |
| P0150.040-050-B2 | M 4 | 50 | 2.8 | 6.0 | 8 | 4.5 | 3.2 | TX-20 |
| P0150.050-010-B2 | M 5 | 10 | 3.7 | 7.5 | 10 | 5.5 | 3.9 | TX-25 |
| P0150.050-012-B2 | M 5 | 12 | 3.7 | 7.5 | 10 | 5.5 | 3.9 | TX-25 |
| P0150.050-016-B2 | M 5 | 16 | 3.7 | 7.5 | 10 | 5.5 | 3.9 | TX-25 |
| P0150.050-020-B2 | M 5 | 20 | 3.7 | 7.5 | 10 | 5.5 | 3.9 | TX-25 |
| P0150.050-025-B2 | M 5 | 25 | 3.7 | 7.5 | 10 | 5.5 | 3.9 | TX-25 |
| P0150.050-030-B2 | M 5 | 30 | 3.7 | 7.5 | 10 | 5.5 | 3.9 | TX-25 |
| P0150.050-040-B2 | M 5 | 40 | 3.7 | 7.5 | 10 | 5.5 | 3.9 | TX-25 |
| P0150.050-050-B2 | M 5 | 50 | 3.7 | 7.5 | 10 | 5.5 | 3.9 | TX-25 |
| P0150.060-010-B2 | M 6 | 10 | 4.2 | 7.5 | 12 | 6.5 | 4.7 | TX-30 |
| P0150.060-012-B2 | M 6 | 12 | 4.2 | 7.5 | 12 | 6.5 | 4.7 | TX-30 |
| P0150.060-016-B2 | M 6 | 16 | 4.2 | 7.5 | 12 | 6.5 | 4.7 | TX-30 |
| P0150.060-020-B2 | M 6 | 20 | 4.2 | 7.5 | 12 | 6.5 | 4.7 | TX-30 |
| P0150.060-025-B2 | M 6 | 25 | 4.2 | 7.5 | 12 | 6.5 | 4.7 | TX-30 |



CAPTIVE SCREWS

| Order No. | d ₁ | l ₁ ±0.25 | d ₂ ±0.12 | l ₂ ±0.25 | d ₃ max. | d ₄ min. | h ₁ max. | TX size |
|------------------|----------------|-------------------------|-------------------------|-------------------------|------------------------|------------------------|------------------------|---------|
| P0150.060-030-B2 | M 6 | 30 | 4.2 | 7.5 | 12 | 6.5 | 4.7 | TX-30 |
| P0150.060-040-B2 | M 6 | 40 | 4.2 | 7.5 | 12 | 6.5 | 4.7 | TX-30 |
| P0150.060-050-B2 | M 6 | 50 | 4.2 | 7.5 | 12 | 6.5 | 4.7 | TX-30 |
| P0150.060-060-B2 | M 6 | 60 | 4.2 | 7.5 | 12 | 6.5 | 4.7 | TX-30 |
| P0150.060-080-B2 | M 6 | 80 | 4.2 | 7.5 | 12 | 6.5 | 4.7 | TX-30 |
| P0150.080-012-B2 | M 8 | 12 | 6.0 | 10.0 | 16 | 8.5 | 6.1 | TX-30* |
| P0150.080-016-B2 | M 8 | 16 | 6.0 | 10.0 | 16 | 8.5 | 6.1 | TX-30* |
| P0150.080-020-B2 | M 8 | 20 | 6.0 | 10.0 | 16 | 8.5 | 6.1 | TX-30* |
| P0150.080-025-B2 | M 8 | 25 | 6.0 | 10.0 | 16 | 8.5 | 6.1 | TX-30* |
| P0150.080-030-B2 | M 8 | 30 | 6.0 | 10.0 | 16 | 8.5 | 6.1 | TX-30* |
| P0150.080-035-B2 | M 8 | 35 | 6.0 | 10.0 | 16 | 8.5 | 6.1 | TX-30* |
| P0150.080-040-B2 | M 8 | 40 | 6.0 | 10.0 | 16 | 8.5 | 6.1 | TX-30* |
| P0150.080-045-B2 | M 8 | 45 | 6.0 | 10.0 | 16 | 8.5 | 6.1 | TX-30* |
| P0150.080-050-B2 | M 8 | 50 | 6.0 | 10.0 | 16 | 8.5 | 6.1 | TX-30* |
| P0150.080-060-B2 | M 8 | 60 | 6.0 | 10.0 | 16 | 8.5 | 6.1 | TX-30* |
| P0150.080-080-B2 | M 8 | 80 | 6.0 | 10.0 | 16 | 8.5 | 6.1 | TX-30* |

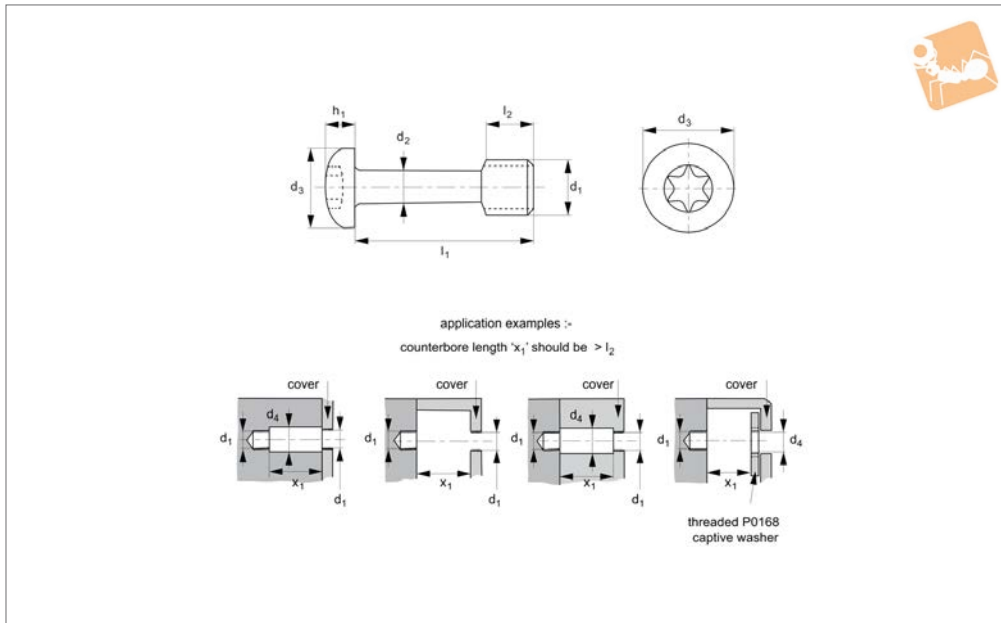


Captive Screws - Pan Head

TX drive - 316 stainless, blackened



Captive Screws



P0150.B4

CAPTIVE SCREWS

Material

Stainless steel (AISI 316, 1.440), black oxide coating. Tensile strength 480 N/mm². Proof stress min. 200 N/mm², austenitic stainless steel.
Also available on request in steel (anodised, black oxide or zinc plated), stainless steel (AISI 303, 1.4305), brass, aluminium etc.

Technical Notes

Used to comply with the Machinery Directive 2006/42/EC. Generally to ISO 14583. Often used with our captive washers (P0168) or retaining flanges (P0169 - for sheet metal applications). The use of our captive washers should be considered when fitted in panels with unthreaded holes.

*M 8 sizes have a reduced TX size.

Important Notes

Please note that these screws have a reduced diameter shank and should not be tightened to the recommended torque for an equivalent machine screw of size d₁.

| Order No. | d ₁ | l ₁ ±0.25 | d ₂ ±0.12 | l ₂ ±0.25 | d ₃ max. | d ₄ min. | h ₁ max. | TX size |
|------------------|----------------|-------------------------|-------------------------|-------------------------|------------------------|------------------------|------------------------|---------|
| P0150.030-008-B4 | M 3 | 8 | 2.0 | 4.5 | 6 | 3.5 | 2.5 | TX-10 |
| P0150.030-010-B4 | M 3 | 10 | 2.0 | 4.5 | 6 | 3.5 | 2.5 | TX-10 |
| P0150.030-016-B4 | M 3 | 16 | 2.0 | 4.5 | 6 | 3.5 | 2.5 | TX-10 |
| P0150.030-020-B4 | M 3 | 20 | 2.0 | 4.5 | 6 | 3.5 | 2.5 | TX-10 |
| P0150.030-025-B4 | M 3 | 25 | 2.0 | 4.5 | 6 | 3.5 | 2.5 | TX-10 |
| P0150.030-030-B4 | M 3 | 30 | 2.0 | 4.5 | 6 | 3.5 | 2.5 | TX-10 |
| P0150.040-008-B4 | M 4 | 8 | 2.8 | 6.0 | 8 | 4.5 | 3.2 | TX-20 |
| P0150.040-010-B4 | M 4 | 10 | 2.8 | 6.0 | 8 | 4.5 | 3.2 | TX-20 |
| P0150.040-012-B4 | M 4 | 12 | 2.8 | 6.0 | 8 | 4.5 | 3.2 | TX-20 |
| P0150.040-016-B4 | M 4 | 16 | 2.8 | 6.0 | 8 | 4.5 | 3.2 | TX-20 |
| P0150.040-020-B4 | M 4 | 20 | 2.8 | 6.0 | 8 | 4.5 | 3.2 | TX-20 |
| P0150.040-025-B4 | M 4 | 25 | 2.8 | 6.0 | 8 | 4.5 | 3.2 | TX-20 |
| P0150.040-030-B4 | M 4 | 30 | 2.8 | 6.0 | 8 | 4.5 | 3.2 | TX-20 |
| P0150.040-040-B4 | M 4 | 40 | 2.8 | 6.0 | 8 | 4.5 | 3.2 | TX-20 |
| P0150.040-050-B4 | M 4 | 50 | 2.8 | 6.0 | 8 | 4.5 | 3.2 | TX-20 |
| P0150.050-010-B4 | M 5 | 10 | 3.7 | 7.5 | 10 | 5.5 | 3.9 | TX-25 |
| P0150.050-012-B4 | M 5 | 12 | 3.7 | 7.5 | 10 | 5.5 | 3.9 | TX-25 |
| P0150.050-016-B4 | M 5 | 16 | 3.7 | 7.5 | 10 | 5.5 | 3.9 | TX-25 |
| P0150.050-020-B4 | M 5 | 20 | 3.7 | 7.5 | 10 | 5.5 | 3.9 | TX-25 |
| P0150.050-025-B4 | M 5 | 25 | 3.7 | 7.5 | 10 | 5.5 | 3.9 | TX-25 |
| P0150.050-030-B4 | M 5 | 30 | 3.7 | 7.5 | 10 | 5.5 | 3.9 | TX-25 |
| P0150.050-040-B4 | M 5 | 40 | 3.7 | 7.5 | 10 | 5.5 | 3.9 | TX-25 |
| P0150.050-050-B4 | M 5 | 50 | 3.7 | 7.5 | 10 | 5.5 | 3.9 | TX-25 |
| P0150.060-010-B4 | M 6 | 10 | 4.2 | 7.5 | 12 | 6.5 | 4.7 | TX-30 |
| P0150.060-012-B4 | M 6 | 12 | 4.2 | 7.5 | 12 | 6.5 | 4.7 | TX-30 |
| P0150.060-016-B4 | M 6 | 16 | 4.2 | 7.5 | 12 | 6.5 | 4.7 | TX-30 |
| P0150.060-020-B4 | M 6 | 20 | 4.2 | 7.5 | 12 | 6.5 | 4.7 | TX-30 |
| P0150.060-025-B4 | M 6 | 25 | 4.2 | 7.5 | 12 | 6.5 | 4.7 | TX-30 |



CAPTIVE SCREWS

| Order No. | d ₁ | l ₁ ±0.25 | d ₂ ±0.12 | l ₂ ±0.25 | d ₃ max. | d ₄ min. | h ₁ max. | TX size |
|------------------|----------------|-------------------------|-------------------------|-------------------------|------------------------|------------------------|------------------------|---------|
| P0150.060-030-B4 | M 6 | 30 | 4.2 | 7.5 | 12 | 6.5 | 4.7 | TX-30 |
| P0150.060-040-B4 | M 6 | 40 | 4.2 | 7.5 | 12 | 6.5 | 4.7 | TX-30 |
| P0150.060-050-B4 | M 6 | 50 | 4.2 | 7.5 | 12 | 6.5 | 4.7 | TX-30 |
| P0150.060-060-B4 | M 6 | 60 | 4.2 | 7.5 | 12 | 6.5 | 4.7 | TX-30 |
| P0150.060-080-B4 | M 6 | 80 | 4.2 | 7.5 | 12 | 6.5 | 4.7 | TX-30 |
| P0150.080-012-B4 | M 8 | 12 | 6.0 | 10.0 | 16 | 8.5 | 6.1 | TX-30* |
| P0150.080-016-B4 | M 8 | 16 | 6.0 | 10.0 | 16 | 8.5 | 6.1 | TX-30* |
| P0150.080-020-B4 | M 8 | 20 | 6.0 | 10.0 | 16 | 8.5 | 6.1 | TX-30* |
| P0150.080-025-B4 | M 8 | 25 | 6.0 | 10.0 | 16 | 8.5 | 6.1 | TX-30* |
| P0150.080-030-B4 | M 8 | 30 | 6.0 | 10.0 | 16 | 8.5 | 6.1 | TX-30* |
| P0150.080-035-B4 | M 8 | 35 | 6.0 | 10.0 | 16 | 8.5 | 6.1 | TX-30* |
| P0150.080-040-B4 | M 8 | 40 | 6.0 | 10.0 | 16 | 8.5 | 6.1 | TX-30* |
| P0150.080-045-B4 | M 8 | 45 | 6.0 | 10.0 | 16 | 8.5 | 6.1 | TX-30* |
| P0150.080-050-B4 | M 8 | 50 | 6.0 | 10.0 | 16 | 8.5 | 6.1 | TX-30* |
| P0150.080-060-B4 | M 8 | 60 | 6.0 | 10.0 | 16 | 8.5 | 6.1 | TX-30* |
| P0150.080-080-B4 | M 8 | 80 | 6.0 | 10.0 | 16 | 8.5 | 6.1 | TX-30* |

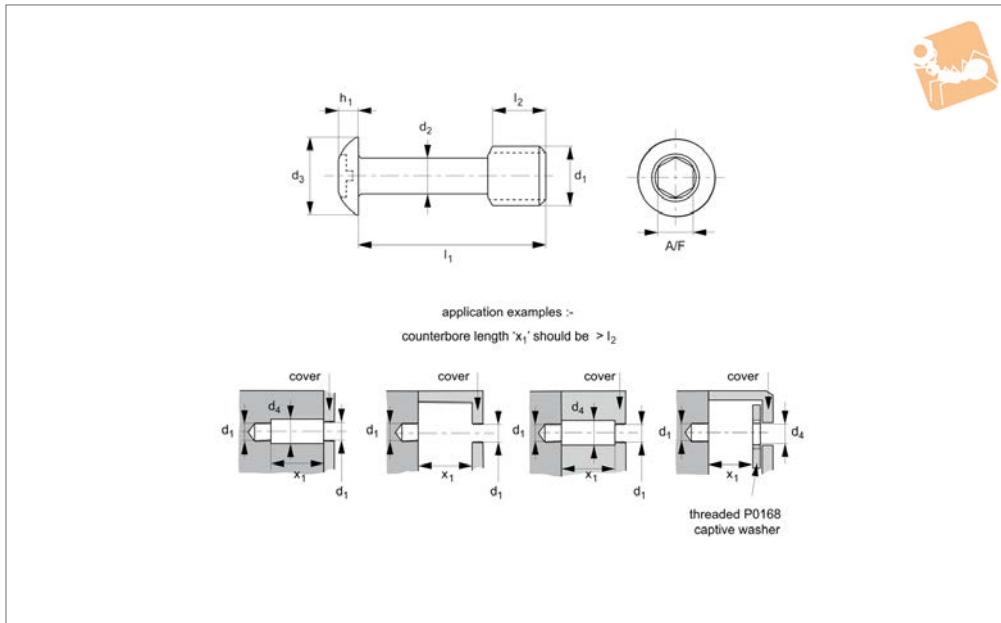


Captive Screws - Button Head

hex drive - 303 stainless, blackened



Captive Screws



MADE IN BRITAIN

P0151.B2

CAPTIVE SCREWS

Material

Stainless steel (AISI 303, 1.4305), black oxide coating. Tensile strength 550 N/mm². Proof stress min. 190 N/mm², austenitic stainless steel.
Also available on request in steel (anodised, black oxide or zinc plated) stainless steel (AISI 316, 1.440), brass, aluminium etc.

Technical Notes

Used to comply with the Machinery Directive 2006/42/EC. Generally to ISO 7380-1. Often used with our captive washers (P0168) or retaining flanges (P0169 - for sheet metal applications). The use of our captive washers should be considered when fitted in panels with unthreaded holes.

Important Notes

Please note that these screws have a reduced diameter shank and should not be tightened to the recommended torque for an equivalent machine screw of size d₁.

| Order No. | d ₁ | l ₁ ±0.25 | d ₂ ±0.12 | l ₂ ±0.25 | d ₃ max. | d ₄ min. | h ₁ max. | A/F |
|------------------|----------------|-------------------------|-------------------------|-------------------------|------------------------|------------------------|------------------------|-----|
| P0151.025-008-B2 | M 2,5 | 8 | 1.7 | 3.7 | 4.5 | 2.8 | 1.50 | 1.5 |
| P0151.025-010-B2 | M 2,5 | 10 | 1.7 | 3.7 | 4.5 | 2.8 | 1.50 | 1.5 |
| P0151.025-012-B2 | M 2,5 | 12 | 1.7 | 3.7 | 4.5 | 2.8 | 1.50 | 1.5 |
| P0151.025-016-B2 | M 2,5 | 16 | 1.7 | 3.7 | 4.5 | 2.8 | 1.50 | 1.5 |
| P0151.025-020-B2 | M 2,5 | 20 | 1.7 | 3.7 | 4.5 | 2.8 | 1.50 | 1.5 |
| P0151.030-008-B2 | M 3 | 8 | 2.0 | 4.5 | 5.7 | 3.5 | 1.53 | 2 |
| P0151.030-010-B2 | M 3 | 10 | 2.0 | 4.5 | 5.7 | 3.5 | 1.53 | 2 |
| P0151.030-016-B2 | M 3 | 16 | 2.0 | 4.5 | 5.7 | 3.5 | 1.53 | 2 |
| P0151.030-020-B2 | M 3 | 20 | 2.0 | 4.5 | 5.7 | 3.5 | 1.53 | 2 |
| P0151.030-025-B2 | M 3 | 25 | 2.0 | 4.5 | 5.7 | 3.5 | 1.53 | 2 |
| P0151.030-030-B2 | M 3 | 30 | 2.0 | 4.5 | 5.7 | 3.5 | 1.53 | 2 |
| P0151.030-040-B2 | M 3 | 40 | 2.0 | 4.5 | 5.7 | 3.5 | 1.53 | 2 |
| P0151.040-010-B2 | M 4 | 10 | 2.8 | 6.0 | 7.6 | 4.5 | 2.10 | 2.5 |
| P0151.040-012-B2 | M 4 | 12 | 2.8 | 6.0 | 7.6 | 4.5 | 2.10 | 2.5 |
| P0151.040-016-B2 | M 4 | 16 | 2.8 | 6.0 | 7.6 | 4.5 | 2.10 | 2.5 |
| P0151.040-020-B2 | M 4 | 20 | 2.8 | 6.0 | 7.6 | 4.5 | 2.10 | 2.5 |
| P0151.040-025-B2 | M 4 | 25 | 2.8 | 6.0 | 7.6 | 4.5 | 2.10 | 2.5 |
| P0151.040-030-B2 | M 4 | 30 | 2.8 | 6.0 | 7.6 | 4.5 | 2.10 | 2.5 |
| P0151.040-035-B2 | M 4 | 35 | 2.8 | 6.0 | 7.6 | 4.5 | 2.10 | 2.5 |
| P0151.040-040-B2 | M 4 | 40 | 2.8 | 6.0 | 7.6 | 4.5 | 2.10 | 2.5 |
| P0151.040-050-B2 | M 4 | 50 | 2.8 | 6.0 | 7.6 | 4.5 | 2.10 | 2.5 |
| P0151.040-060-B2 | M 4 | 60 | 2.8 | 6.0 | 7.6 | 4.5 | 2.10 | 2.5 |
| P0151.050-012-B2 | M 5 | 12 | 3.7 | 7.5 | 9.5 | 5.5 | 2.63 | 3 |
| P0151.050-016-B2 | M 5 | 16 | 3.7 | 7.5 | 9.5 | 5.5 | 2.63 | 3 |
| P0151.050-020-B2 | M 5 | 20 | 3.7 | 7.5 | 9.5 | 5.5 | 2.63 | 3 |
| P0151.050-025-B2 | M 5 | 25 | 3.7 | 7.5 | 9.5 | 5.5 | 2.63 | 3 |
| P0151.050-030-B2 | M 5 | 30 | 3.7 | 7.5 | 9.5 | 5.5 | 2.63 | 3 |
| P0151.050-040-B2 | M 5 | 40 | 3.7 | 7.5 | 9.5 | 5.5 | 2.63 | 3 |



CAPTIVE SCREWS

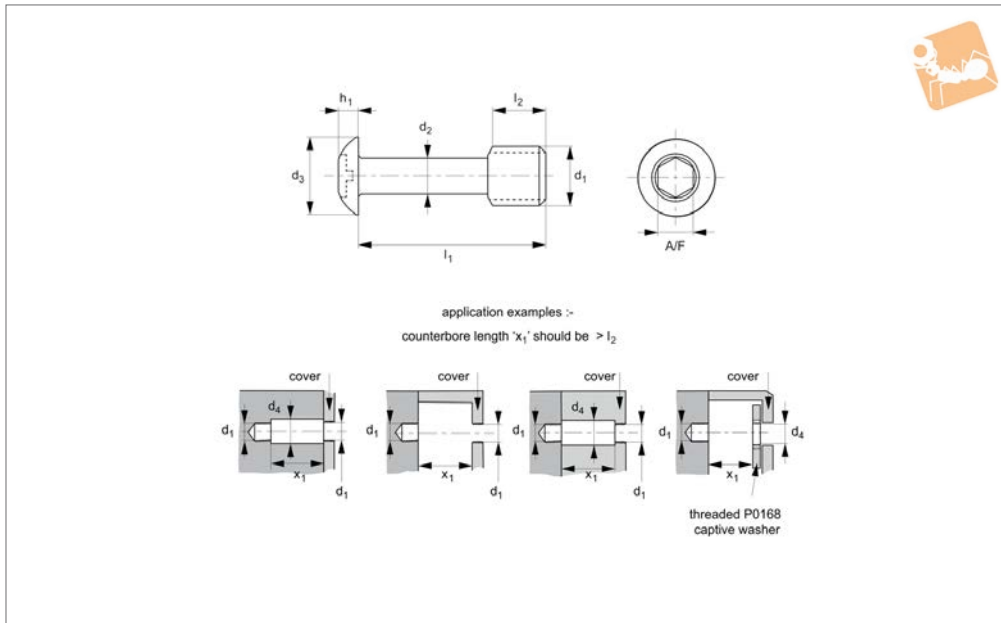
| Order No. | d ₁ | l ₁ ±0.25 | d ₂ ±0.12 | l ₂ ±0.25 | d ₃ max. | d ₄ min. | h ₁ max. | A/F |
|------------------|----------------|-------------------------|-------------------------|-------------------------|------------------------|------------------------|------------------------|-----|
| P0151.050-050-B2 | M 5 | 50 | 3.7 | 7.5 | 9.5 | 5.5 | 2.63 | 3 |
| P0151.050-060-B2 | M 5 | 60 | 3.7 | 7.5 | 9.5 | 5.5 | 2.63 | 3 |
| P0151.060-012-B2 | M 6 | 12 | 4.2 | 7.5 | 10.5 | 6.5 | 3.10 | 4 |
| P0151.060-016-B2 | M 6 | 16 | 4.2 | 7.5 | 10.5 | 6.5 | 3.10 | 4 |
| P0151.060-020-B2 | M 6 | 20 | 4.2 | 7.5 | 10.5 | 6.5 | 3.10 | 4 |
| P0151.060-025-B2 | M 6 | 25 | 4.2 | 7.5 | 10.5 | 6.5 | 3.10 | 4 |
| P0151.060-030-B2 | M 6 | 30 | 4.2 | 7.5 | 10.5 | 6.5 | 3.10 | 4 |
| P0151.060-035-B2 | M 6 | 35 | 4.2 | 7.5 | 10.5 | 6.5 | 3.10 | 4 |
| P0151.060-040-B2 | M 6 | 40 | 4.2 | 7.5 | 10.5 | 6.5 | 3.10 | 4 |
| P0151.060-050-B2 | M 6 | 50 | 4.2 | 7.5 | 10.5 | 6.5 | 3.10 | 4 |
| P0151.060-060-B2 | M 6 | 60 | 4.2 | 7.5 | 10.5 | 6.5 | 3.10 | 4 |
| P0151.060-080-B2 | M 6 | 80 | 4.2 | 7.5 | 10.5 | 6.5 | 3.10 | 4 |
| P0151.080-016-B2 | M 8 | 16 | 6.0 | 10.0 | 14.0 | 8.5 | 4.46 | 5 |
| P0151.080-020-B2 | M 8 | 20 | 6.0 | 10.0 | 14.0 | 8.5 | 4.46 | 5 |
| P0151.080-025-B2 | M 8 | 25 | 6.0 | 10.0 | 14.0 | 8.5 | 4.46 | 5 |
| P0151.080-030-B2 | M 8 | 30 | 6.0 | 10.0 | 14.0 | 8.5 | 4.46 | 5 |
| P0151.080-035-B2 | M 8 | 35 | 6.0 | 10.0 | 14.0 | 8.5 | 4.46 | 5 |
| P0151.080-040-B2 | M 8 | 40 | 6.0 | 10.0 | 14.0 | 8.5 | 4.46 | 5 |
| P0151.080-045-B2 | M 8 | 45 | 6.0 | 10.0 | 14.0 | 8.5 | 4.46 | 5 |
| P0151.080-050-B2 | M 8 | 50 | 6.0 | 10.0 | 14.0 | 8.5 | 4.46 | 5 |
| P0151.080-060-B2 | M 8 | 60 | 6.0 | 10.0 | 14.0 | 8.5 | 4.46 | 5 |
| P0151.080-080-B2 | M 8 | 80 | 6.0 | 10.0 | 14.0 | 8.5 | 4.46 | 5 |
| P0151.100-020-B2 | M 10 | 20 | 7.5 | 12.5 | 17.5 | 10.6 | 5.5 | 6 |
| P0151.100-025-B2 | M 10 | 25 | 7.5 | 12.5 | 17.5 | 10.6 | 5.5 | 6 |
| P0151.100-030-B2 | M 10 | 30 | 7.5 | 12.5 | 17.5 | 10.6 | 5.5 | 6 |
| P0151.100-035-B2 | M 10 | 35 | 7.5 | 12.5 | 17.5 | 10.6 | 5.5 | 6 |
| P0151.100-040-B2 | M 10 | 40 | 7.5 | 12.5 | 17.5 | 10.6 | 5.5 | 6 |
| P0151.100-045-B2 | M 10 | 45 | 7.5 | 12.5 | 17.5 | 10.6 | 5.5 | 6 |
| P0151.100-050-B2 | M 10 | 50 | 7.5 | 12.5 | 17.5 | 10.6 | 5.5 | 6 |
| P0151.100-060-B2 | M 10 | 60 | 7.5 | 12.5 | 17.5 | 10.6 | 5.5 | 6 |
| P0151.100-080-B2 | M 10 | 80 | 7.5 | 12.5 | 17.5 | 10.6 | 5.5 | 6 |



Captive Screws - Button Head

hex drive - 316 stainless, blackened

Captive Screws



P0151.B4

MADE IN BRITAIN

CAPTIVE SCREWS

Material

Stainless steel (AISI 316, 1.440), black oxide coating. Tensile strength 480 N/mm². Proof stress min. 200 N/mm², austenitic stainless steel.
Also available on request in steel (anodised, black oxide or zinc plated) stainless steel (AISI 303, 1.4305), brass, aluminium etc.

Technical Notes

Used to comply with the Machinery Directive 2006/42/EC. Generally to ISO 7380-1. Often used with our captive washers (P0168) or retaining flanges (P0169 - for sheet metal applications). The use of our captive washers should be considered when fitted in panels with unthreaded holes.

Important Notes

Please note that these screws have a reduced diameter shank and should not be tightened to the recommended torque for an equivalent machine screw of size d₁.

| Order No. | d ₁ | l ₁ ±0.25 | d ₂ ±0.12 | l ₂ ±0.25 | d ₃ max. | d ₄ min. | h ₁ max. | A/F |
|------------------|----------------|-------------------------|-------------------------|-------------------------|------------------------|------------------------|------------------------|-----|
| P0151.025-008-B4 | M 2,5 | 8 | 1.7 | 3.7 | 4.5 | 2.8 | 1.50 | 1.5 |
| P0151.025-010-B4 | M 2,5 | 10 | 1.7 | 3.7 | 4.5 | 2.8 | 1.50 | 1.5 |
| P0151.025-012-B4 | M 2,5 | 12 | 1.7 | 3.7 | 4.5 | 2.8 | 1.50 | 1.5 |
| P0151.025-016-B4 | M 2,5 | 16 | 1.7 | 3.7 | 4.5 | 2.8 | 1.50 | 1.5 |
| P0151.025-020-B4 | M 2,5 | 20 | 1.7 | 3.7 | 4.5 | 2.8 | 1.50 | 1.5 |
| P0151.030-008-B4 | M 3 | 8 | 2.0 | 4.5 | 5.7 | 3.5 | 1.53 | 2 |
| P0151.030-010-B4 | M 3 | 10 | 2.0 | 4.5 | 5.7 | 3.5 | 1.53 | 2 |
| P0151.030-016-B4 | M 3 | 16 | 2.0 | 4.5 | 5.7 | 3.5 | 1.53 | 2 |
| P0151.030-020-B4 | M 3 | 20 | 2.0 | 4.5 | 5.7 | 3.5 | 1.53 | 2 |
| P0151.030-025-B4 | M 3 | 25 | 2.0 | 4.5 | 5.7 | 3.5 | 1.53 | 2 |
| P0151.030-030-B4 | M 3 | 30 | 2.0 | 4.5 | 5.7 | 3.5 | 1.53 | 2 |
| P0151.030-040-B4 | M 3 | 40 | 2.0 | 4.5 | 5.7 | 3.5 | 1.53 | 2 |
| P0151.040-010-B4 | M 4 | 10 | 2.8 | 6.0 | 7.6 | 4.5 | 2.10 | 2.5 |
| P0151.040-012-B4 | M 4 | 12 | 2.8 | 6.0 | 7.6 | 4.5 | 2.10 | 2.5 |
| P0151.040-016-B4 | M 4 | 16 | 2.8 | 6.0 | 7.6 | 4.5 | 2.10 | 2.5 |
| P0151.040-020-B4 | M 4 | 20 | 2.8 | 6.0 | 7.6 | 4.5 | 2.10 | 2.5 |
| P0151.040-025-B4 | M 4 | 25 | 2.8 | 6.0 | 7.6 | 4.5 | 2.10 | 2.5 |
| P0151.040-030-B4 | M 4 | 30 | 2.8 | 6.0 | 7.6 | 4.5 | 2.10 | 2.5 |
| P0151.040-035-B4 | M 4 | 35 | 2.8 | 6.0 | 7.6 | 4.5 | 2.10 | 2.5 |
| P0151.040-040-B4 | M 4 | 40 | 2.8 | 6.0 | 7.6 | 4.5 | 2.10 | 2.5 |
| P0151.040-050-B4 | M 4 | 50 | 2.8 | 6.0 | 7.6 | 4.5 | 2.10 | 2.5 |
| P0151.040-060-B4 | M 4 | 60 | 2.8 | 6.0 | 7.6 | 4.5 | 2.10 | 2.5 |
| P0151.050-012-B4 | M 5 | 12 | 3.7 | 7.5 | 9.5 | 5.5 | 2.63 | 3 |
| P0151.050-016-B4 | M 5 | 16 | 3.7 | 7.5 | 9.5 | 5.5 | 2.63 | 3 |
| P0151.050-020-B4 | M 5 | 20 | 3.7 | 7.5 | 9.5 | 5.5 | 2.63 | 3 |
| P0151.050-025-B4 | M 5 | 25 | 3.7 | 7.5 | 9.5 | 5.5 | 2.63 | 3 |
| P0151.050-030-B4 | M 5 | 30 | 3.7 | 7.5 | 9.5 | 5.5 | 2.63 | 3 |
| P0151.050-040-B4 | M 5 | 40 | 3.7 | 7.5 | 9.5 | 5.5 | 2.63 | 3 |



CAPTIVE SCREWS

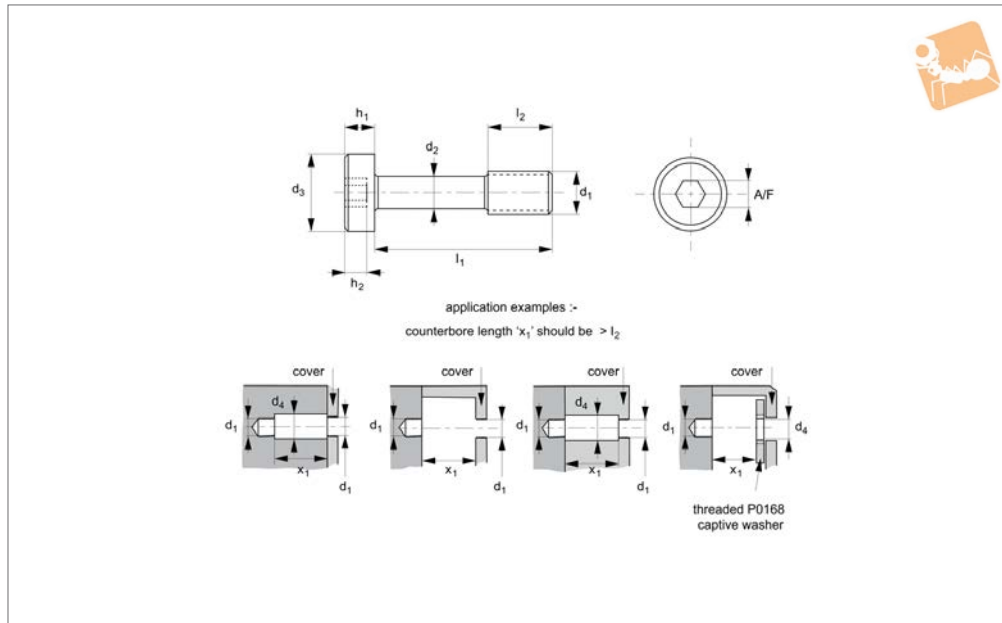
| Order No. | d ₁ | l ₁ ±0.25 | d ₂ ±0.12 | l ₂ ±0.25 | d ₃ max. | d ₄ min. | h ₁ max. | A/F |
|------------------|----------------|-------------------------|-------------------------|-------------------------|------------------------|------------------------|------------------------|-----|
| P0151.050-050-B4 | M 5 | 50 | 3.7 | 7.5 | 9.5 | 5.5 | 2.63 | 3 |
| P0151.050-060-B4 | M 5 | 60 | 3.7 | 7.5 | 9.5 | 5.5 | 2.63 | 3 |
| P0151.060-012-B4 | M 6 | 12 | 4.2 | 7.5 | 10.5 | 6.5 | 3.10 | 4 |
| P0151.060-016-B4 | M 6 | 16 | 4.2 | 7.5 | 10.5 | 6.5 | 3.10 | 4 |
| P0151.060-020-B4 | M 6 | 20 | 4.2 | 7.5 | 10.5 | 6.5 | 3.10 | 4 |
| P0151.060-025-B4 | M 6 | 25 | 4.2 | 7.5 | 10.5 | 6.5 | 3.10 | 4 |
| P0151.060-030-B4 | M 6 | 30 | 4.2 | 7.5 | 10.5 | 6.5 | 3.10 | 4 |
| P0151.060-035-B4 | M 6 | 35 | 4.2 | 7.5 | 10.5 | 6.5 | 3.10 | 4 |
| P0151.060-040-B4 | M 6 | 40 | 4.2 | 7.5 | 10.5 | 6.5 | 3.10 | 4 |
| P0151.060-050-B4 | M 6 | 50 | 4.2 | 7.5 | 10.5 | 6.5 | 3.10 | 4 |
| P0151.060-060-B4 | M 6 | 60 | 4.2 | 7.5 | 10.5 | 6.5 | 3.10 | 4 |
| P0151.060-080-B4 | M 6 | 80 | 4.2 | 7.5 | 10.5 | 6.5 | 3.10 | 4 |
| P0151.080-016-B4 | M 8 | 16 | 6.0 | 10.0 | 14.0 | 8.5 | 4.46 | 5 |
| P0151.080-020-B4 | M 8 | 20 | 6.0 | 10.0 | 14.0 | 8.5 | 4.46 | 5 |
| P0151.080-025-B4 | M 8 | 25 | 6.0 | 10.0 | 14.0 | 8.5 | 4.46 | 5 |
| P0151.080-030-B4 | M 8 | 30 | 6.0 | 10.0 | 14.0 | 8.5 | 4.46 | 5 |
| P0151.080-035-B4 | M 8 | 35 | 6.0 | 10.0 | 14.0 | 8.5 | 4.46 | 5 |
| P0151.080-040-B4 | M 8 | 40 | 6.0 | 10.0 | 14.0 | 8.5 | 4.46 | 5 |
| P0151.080-045-B4 | M 8 | 45 | 6.0 | 10.0 | 14.0 | 8.5 | 4.46 | 5 |
| P0151.080-050-B4 | M 8 | 50 | 6.0 | 10.0 | 14.0 | 8.5 | 4.46 | 5 |
| P0151.080-060-B4 | M 8 | 60 | 6.0 | 10.0 | 14.0 | 8.5 | 4.46 | 5 |
| P0151.080-080-B4 | M 8 | 80 | 6.0 | 10.0 | 14.0 | 8.5 | 4.46 | 5 |
| P0151.100-020-B4 | M 10 | 20 | 7.5 | 12.5 | 17.5 | 10.6 | 5.5 | 6 |
| P0151.100-025-B4 | M 10 | 25 | 7.5 | 12.5 | 17.5 | 10.6 | 5.5 | 6 |
| P0151.100-030-B4 | M 10 | 30 | 7.5 | 12.5 | 17.5 | 10.6 | 5.5 | 6 |
| P0151.100-035-B4 | M 10 | 35 | 7.5 | 12.5 | 17.5 | 10.6 | 5.5 | 6 |
| P0151.100-040-B4 | M 10 | 40 | 7.5 | 12.5 | 17.5 | 10.6 | 5.5 | 6 |
| P0151.100-045-B4 | M 10 | 45 | 7.5 | 12.5 | 17.5 | 10.6 | 5.5 | 6 |
| P0151.100-050-B4 | M 10 | 50 | 7.5 | 12.5 | 17.5 | 10.6 | 5.5 | 6 |
| P0151.100-060-B4 | M 10 | 60 | 7.5 | 12.5 | 17.5 | 10.6 | 5.5 | 6 |
| P0151.100-080-B4 | M 10 | 80 | 7.5 | 12.5 | 17.5 | 10.6 | 5.5 | 6 |



Captive Screws - Cheese Head

hex drive - 303 stainless - blackened

Captive Screws



P0152.B2

CAPTIVE SCREWS

Material

Stainless steel (AISI 303, 1.4305), black oxide coated. Tensile strength 550 N/mm².

A marine grade stainless steel (AISI 316, 1.4401) version of this product is also available. Available on request in titanium, steel (anodised, black oxide or zinc plated), brass, aluminium etc.

Technical Notes

Used to comply with the Machinery Directive 2006/42/EC. Generally to ISO 1207. Often used with our captive washers (P0168) or retaining flanges (P0169 - for sheet metal applications). The use of our captive washers should be considered when fitted in panels with unthreaded holes.

Important Notes

Please note that these screws have a reduced diameter shank and should not be tightened to the recommended torque for an equivalent machine screw of size d₁.

| Order No. | d ₁ | l ₁ ±0.25 | d ₂ ±0.12 | l ₂ ±0.25 | d ₃ | d ₄ min. | h ₁ | h ₂ | A/F |
|------------------|----------------|-------------------------|-------------------------|-------------------------|----------------|------------------------|----------------|----------------|-----|
| P0152.020-010-B2 | M 2 | 10 | 1.2 | 3.0 | 3.8 | 2.5 | 1.3 | 0.85 | 1.3 |
| P0152.020-012-B2 | M 2 | 12 | 1.2 | 3.0 | 3.8 | 2.5 | 1.3 | 0.85 | 1.3 |
| P0152.020-016-B2 | M 2 | 16 | 1.2 | 3.0 | 3.8 | 2.5 | 1.3 | 0.85 | 1.3 |
| P0152.020-020-B2 | M 2 | 20 | 1.2 | 3.0 | 3.8 | 2.5 | 1.3 | 0.85 | 1.3 |
| P0152.025-008-B2 | M 2,5 | 8 | 1.7 | 3.7 | 4.5 | 2.8 | 1.6 | 1.00 | 1.5 |
| P0152.025-010-B2 | M 2,5 | 10 | 1.7 | 3.7 | 4.5 | 2.8 | 1.6 | 1.00 | 1.5 |
| P0152.025-016-B2 | M 2,5 | 16 | 1.7 | 3.7 | 4.5 | 2.8 | 1.6 | 1.00 | 1.5 |
| P0152.025-020-B2 | M 2,5 | 20 | 1.7 | 3.7 | 4.5 | 2.8 | 1.6 | 1.00 | 1.5 |
| P0152.025-025-B2 | M 2,5 | 25 | 1.7 | 3.7 | 4.5 | 2.8 | 1.6 | 1.00 | 1.5 |
| P0152.025-030-B2 | M 2,5 | 30 | 1.7 | 3.7 | 4.5 | 2.8 | 1.6 | 1.00 | 1.5 |
| P0152.030-010-B2 | M 3 | 10 | 2.0 | 4.5 | 5.5 | 3.5 | 2.0 | 1.30 | 2 |
| P0152.030-011-B2 | M 3 | 11 | 2.0 | 4.5 | 5.5 | 3.5 | 2.0 | 1.30 | 2 |
| P0152.030-013-B2 | M 3 | 13 | 2.0 | 4.5 | 5.5 | 3.5 | 2.0 | 1.30 | 2 |
| P0152.030-016-B2 | M 3 | 16 | 2.0 | 4.5 | 5.5 | 3.5 | 2.0 | 1.30 | 2 |
| P0152.030-018-B2 | M 3 | 18 | 2.0 | 4.5 | 5.5 | 3.5 | 2.0 | 1.30 | 2 |
| P0152.030-020-B2 | M 3 | 20 | 2.0 | 4.5 | 5.5 | 3.5 | 2.0 | 1.30 | 2 |
| P0152.030-025-B2 | M 3 | 25 | 2.0 | 4.5 | 5.5 | 3.5 | 2.0 | 1.30 | 2 |
| P0152.030-030-B2 | M 3 | 30 | 2.0 | 4.5 | 5.5 | 3.5 | 2.0 | 1.30 | 2 |
| P0152.030-040-B2 | M 3 | 40 | 2.0 | 4.5 | 5.5 | 3.5 | 2.0 | 1.30 | 2 |
| P0152.035-010-B2 | M 3,5 | 10 | 2.3 | 5.2 | 6.0 | 3.8 | 2.4 | 1.4 | 2.5 |
| P0152.035-016-B2 | M 3,5 | 16 | 2.3 | 5.2 | 6.0 | 3.8 | 2.4 | 1.4 | 2.5 |
| P0152.035-020-B2 | M 3,5 | 20 | 2.3 | 5.2 | 6.0 | 3.8 | 2.4 | 1.4 | 2.5 |
| P0152.035-025-B2 | M 3,5 | 25 | 2.3 | 5.2 | 6.0 | 3.8 | 2.4 | 1.4 | 2.5 |
| P0152.035-030-B2 | M 3,5 | 30 | 2.3 | 5.2 | 6.0 | 3.8 | 2.4 | 1.4 | 2.5 |
| P0152.035-040-B2 | M 3,5 | 40 | 2.3 | 5.2 | 6.0 | 3.8 | 2.4 | 1.4 | 2.5 |
| P0152.040-010-B2 | M 4 | 10 | 2.8 | 6.0 | 7.0 | 4.5 | 2.6 | 1.6 | 2.5 |
| P0152.040-012-B2 | M 4 | 12 | 2.8 | 6.0 | 7.0 | 4.5 | 2.6 | 1.6 | 2.5 |
| P0152.040-016-B2 | M 4 | 16 | 2.8 | 6.0 | 7.0 | 4.5 | 2.6 | 1.6 | 2.5 |



CAPTIVE SCREWS

| Order No. | d ₁ | l ₁ ±0.25 | d ₂ ±0.12 | l ₂ ±0.25 | d ₃ | d ₄ min. | h ₁ | h ₂ | A/F |
|------------------|----------------|-------------------------|-------------------------|-------------------------|----------------|------------------------|----------------|----------------|-----|
| P0152.040-018-B2 | M 4 | 18 | 2.8 | 6.0 | 7.0 | 4.5 | 2.6 | 1.6 | 2.5 |
| P0152.040-019-B2 | M 4 | 19 | 2.8 | 6.0 | 7.0 | 4.5 | 2.6 | 1.6 | 2.5 |
| P0152.040-020-B2 | M 4 | 20 | 2.8 | 6.0 | 7.0 | 4.5 | 2.6 | 1.6 | 2.5 |
| P0152.040-025-B2 | M 4 | 25 | 2.8 | 6.0 | 7.0 | 4.5 | 2.6 | 1.6 | 2.5 |
| P0152.040-030-B2 | M 4 | 30 | 2.8 | 6.0 | 7.0 | 4.5 | 2.6 | 1.6 | 2.5 |
| P0152.040-040-B2 | M 4 | 40 | 2.8 | 6.0 | 7.0 | 4.5 | 2.6 | 1.6 | 2.5 |
| P0152.040-050-B2 | M 4 | 50 | 2.8 | 6.0 | 7.0 | 4.5 | 2.6 | 1.6 | 2.5 |
| P0152.040-060-B2 | M 4 | 60 | 2.8 | 6.0 | 7.0 | 4.5 | 2.6 | 1.6 | 2.5 |
| P0152.050-010-B2 | M 5 | 10 | 3.7 | 7.5 | 8.5 | 5.5 | 3.3 | 2.0 | 3 |
| P0152.050-012-B2 | M 5 | 12 | 3.7 | 7.5 | 8.5 | 5.5 | 3.3 | 2.0 | 3 |
| P0152.050-016-B2 | M 5 | 16 | 3.7 | 7.5 | 8.5 | 5.5 | 3.3 | 2.0 | 3 |
| P0152.050-018-B2 | M 5 | 18 | 3.7 | 7.5 | 8.5 | 5.5 | 3.3 | 2.0 | 3 |
| P0152.050-020-B2 | M 5 | 20 | 3.7 | 7.5 | 8.5 | 5.5 | 3.3 | 2.0 | 3 |
| P0152.050-022-B2 | M 5 | 22 | 3.7 | 7.5 | 8.5 | 5.5 | 3.3 | 2.0 | 3 |
| P0152.050-025-B2 | M 5 | 25 | 3.7 | 7.5 | 8.5 | 5.5 | 3.3 | 2.0 | 3 |
| P0152.050-030-B2 | M 5 | 30 | 3.7 | 7.5 | 8.5 | 5.5 | 3.3 | 2.0 | 3 |
| P0152.050-040-B2 | M 5 | 40 | 3.7 | 7.5 | 8.5 | 5.5 | 3.3 | 2.0 | 3 |
| P0152.050-050-B2 | M 5 | 50 | 3.7 | 7.5 | 8.5 | 5.5 | 3.3 | 2.0 | 3 |
| P0152.050-060-B2 | M 5 | 60 | 3.7 | 7.5 | 8.5 | 5.5 | 3.3 | 2.0 | 3 |
| P0152.050-080-B2 | M 5 | 80 | 3.7 | 7.5 | 8.5 | 5.5 | 3.3 | 2.0 | 3 |
| P0152.060-016-B2 | M 6 | 16 | 4.2 | 7.5 | 10.0 | 6.5 | 3.9 | 2.3 | 4 |
| P0152.060-020-B2 | M 6 | 20 | 4.2 | 7.5 | 10.0 | 6.5 | 3.9 | 2.3 | 4 |
| P0152.060-025-B2 | M 6 | 25 | 4.2 | 7.5 | 10.0 | 6.5 | 3.9 | 2.3 | 4 |
| P0152.060-030-B2 | M 6 | 30 | 4.2 | 7.5 | 10.0 | 6.5 | 3.9 | 2.3 | 4 |
| P0152.060-040-B2 | M 6 | 40 | 4.2 | 7.5 | 10.0 | 6.5 | 3.9 | 2.3 | 4 |
| P0152.060-050-B2 | M 6 | 50 | 4.2 | 7.5 | 10.0 | 6.5 | 3.9 | 2.3 | 4 |
| P0152.060-060-B2 | M 6 | 60 | 4.2 | 7.5 | 10.0 | 6.5 | 3.9 | 2.3 | 4 |
| P0152.060-080-B2 | M 6 | 80 | 4.2 | 7.5 | 10.0 | 6.5 | 3.9 | 2.3 | 4 |

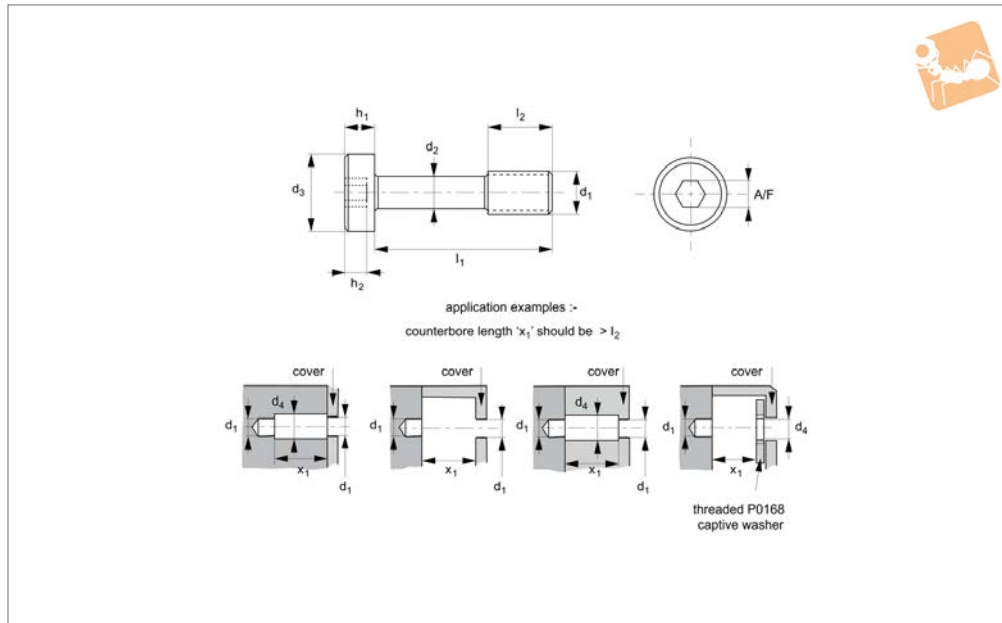


Captive Screws - Cheese Head

hex drive - 316 stainless - blackened



Captive Screws



P0152.B4

CAPTIVE SCREWS

Material

Stainless steel (AISI 316, 1.4401), black oxide coated. This grade of stainless steel is highly resistant to corrosion and is suitable for outdoor, medical and marine applications. Tensile strength 550 N/mm². Also available on request in titanium, steel (anodised, black oxide coated or zinc plated), brass, aluminium etc.

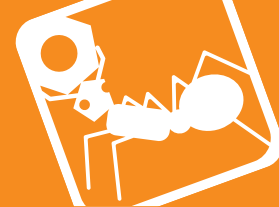
Technical Notes

Used to comply with the Machinery Directive 2006/42/EC. Generally to ISO 1207. Often used with our captive washers (P0168) or retaining flanges (P0169 - for sheet metal applications). The use of our captive washers should be considered when fitted in panels with unthreaded holes.

Important Notes

Please note that these screws have a reduced diameter shank and should not be tightened to the recommended torque for an equivalent machine screw of size d₁.

| Order No. | d ₁ | l ₁ ±0.25 | d ₂ ±0.12 | l ₂ ±0.25 | d ₃ | d ₄ min. | h ₁ | h ₂ | A/F |
|------------------|----------------|-------------------------|-------------------------|-------------------------|----------------|------------------------|----------------|----------------|-----|
| P0152.020-010-B4 | M 2 | 10 | 1.2 | 3.0 | 3.8 | 2.5 | 1.3 | 0.85 | 1.3 |
| P0152.020-012-B4 | M 2 | 12 | 1.2 | 3.0 | 3.8 | 2.5 | 1.3 | 0.85 | 1.3 |
| P0152.020-016-B4 | M 2 | 16 | 1.2 | 3.0 | 3.8 | 2.5 | 1.3 | 0.85 | 1.3 |
| P0152.020-020-B4 | M 2 | 20 | 1.2 | 3.0 | 3.8 | 2.5 | 1.3 | 0.85 | 1.3 |
| P0152.025-008-B4 | M 2,5 | 8 | 1.7 | 3.7 | 4.5 | 2.8 | 1.6 | 1.00 | 1.5 |
| P0152.025-010-B4 | M 2,5 | 10 | 1.7 | 3.7 | 4.5 | 2.8 | 1.6 | 1.00 | 1.5 |
| P0152.025-016-B4 | M 2,5 | 16 | 1.7 | 3.7 | 4.5 | 2.8 | 1.6 | 1.00 | 1.5 |
| P0152.025-020-B4 | M 2,5 | 20 | 1.7 | 3.7 | 4.5 | 2.8 | 1.6 | 1.00 | 1.5 |
| P0152.025-025-B4 | M 2,5 | 25 | 1.7 | 3.7 | 4.5 | 2.8 | 1.6 | 1.00 | 1.5 |
| P0152.025-030-B4 | M 2,5 | 30 | 1.7 | 3.7 | 4.5 | 2.8 | 1.6 | 1.00 | 1.5 |
| P0152.030-010-B4 | M 3 | 10 | 2.0 | 4.5 | 5.5 | 3.5 | 2.0 | 1.30 | 2 |
| P0152.030-011-B4 | M 3 | 11 | 2.0 | 4.5 | 5.5 | 3.5 | 2.0 | 1.30 | 2 |
| P0152.030-013-B4 | M 3 | 13 | 2.0 | 4.5 | 5.5 | 3.5 | 2.0 | 1.30 | 2 |
| P0152.030-016-B4 | M 3 | 16 | 2.0 | 4.5 | 5.5 | 3.5 | 2.0 | 1.30 | 2 |
| P0152.030-018-B4 | M 3 | 18 | 2.0 | 4.5 | 5.5 | 3.5 | 2.0 | 1.30 | 2 |
| P0152.030-020-B4 | M 3 | 20 | 2.0 | 4.5 | 5.5 | 3.5 | 2.0 | 1.30 | 2 |
| P0152.030-025-B4 | M 3 | 25 | 2.0 | 4.5 | 5.5 | 3.5 | 2.0 | 1.30 | 2 |
| P0152.030-030-B4 | M 3 | 30 | 2.0 | 4.5 | 5.5 | 3.5 | 2.0 | 1.30 | 2 |
| P0152.030-040-B4 | M 3 | 40 | 2.0 | 4.5 | 5.5 | 3.5 | 2.0 | 1.30 | 2 |
| P0152.035-010-B4 | M 3,5 | 10 | 2.3 | 5.2 | 6.0 | 3.8 | 2.4 | 1.4 | 2.5 |
| P0152.035-016-B4 | M 3,5 | 16 | 2.3 | 5.2 | 6.0 | 3.8 | 2.4 | 1.4 | 2.5 |
| P0152.035-020-B4 | M 3,5 | 20 | 2.3 | 5.2 | 6.0 | 3.8 | 2.4 | 1.4 | 2.5 |
| P0152.035-025-B4 | M 3,5 | 25 | 2.3 | 5.2 | 6.0 | 3.8 | 2.4 | 1.4 | 2.5 |
| P0152.035-030-B4 | M 3,5 | 30 | 2.3 | 5.2 | 6.0 | 3.8 | 2.4 | 1.4 | 2.5 |
| P0152.035-040-B4 | M 3,5 | 40 | 2.3 | 5.2 | 6.0 | 3.8 | 2.4 | 1.4 | 2.5 |
| P0152.040-010-B4 | M 4 | 10 | 2.8 | 6.0 | 7.0 | 4.5 | 2.6 | 1.6 | 2.5 |
| P0152.040-012-B4 | M 4 | 12 | 2.8 | 6.0 | 7.0 | 4.5 | 2.6 | 1.6 | 2.5 |
| P0152.040-016-B4 | M 4 | 16 | 2.8 | 6.0 | 7.0 | 4.5 | 2.6 | 1.6 | 2.5 |



CAPTIVE SCREWS

| Order No. | d ₁ | l ₁ ±0.25 | d ₂ ±0.12 | l ₂ ±0.25 | d ₃ | d ₄ min. | h ₁ | h ₂ | A/F |
|------------------|----------------|-------------------------|-------------------------|-------------------------|----------------|------------------------|----------------|----------------|-----|
| P0152.040-018-B4 | M 4 | 18 | 2.8 | 6.0 | 7.0 | 4.5 | 2.6 | 1.6 | 2.5 |
| P0152.040-019-B4 | M 4 | 19 | 2.8 | 6.0 | 7.0 | 4.5 | 2.6 | 1.6 | 2.5 |
| P0152.040-020-B4 | M 4 | 20 | 2.8 | 6.0 | 7.0 | 4.5 | 2.6 | 1.6 | 2.5 |
| P0152.040-025-B4 | M 4 | 25 | 2.8 | 6.0 | 7.0 | 4.5 | 2.6 | 1.6 | 2.5 |
| P0152.040-030-B4 | M 4 | 30 | 2.8 | 6.0 | 7.0 | 4.5 | 2.6 | 1.6 | 2.5 |
| P0152.040-040-B4 | M 4 | 40 | 2.8 | 6.0 | 7.0 | 4.5 | 2.6 | 1.6 | 2.5 |
| P0152.040-050-B4 | M 4 | 50 | 2.8 | 6.0 | 7.0 | 4.5 | 2.6 | 1.6 | 2.5 |
| P0152.040-060-B4 | M 4 | 60 | 2.8 | 6.0 | 7.0 | 4.5 | 2.6 | 1.6 | 2.5 |
| P0152.050-010-B4 | M 5 | 10 | 3.7 | 7.5 | 8.5 | 5.5 | 3.3 | 2.0 | 3 |
| P0152.050-012-B4 | M 5 | 12 | 3.7 | 7.5 | 8.5 | 5.5 | 3.3 | 2.0 | 3 |
| P0152.050-016-B4 | M 5 | 16 | 3.7 | 7.5 | 8.5 | 5.5 | 3.3 | 2.0 | 3 |
| P0152.050-018-B4 | M 5 | 18 | 3.7 | 7.5 | 8.5 | 5.5 | 3.3 | 2.0 | 3 |
| P0152.050-020-B4 | M 5 | 20 | 3.7 | 7.5 | 8.5 | 5.5 | 3.3 | 2.0 | 3 |
| P0152.050-022-B4 | M 5 | 22 | 3.7 | 7.5 | 8.5 | 5.5 | 3.3 | 2.0 | 3 |
| P0152.050-025-B4 | M 5 | 25 | 3.7 | 7.5 | 8.5 | 5.5 | 3.3 | 2.0 | 3 |
| P0152.050-030-B4 | M 5 | 30 | 3.7 | 7.5 | 8.5 | 5.5 | 3.3 | 2.0 | 3 |
| P0152.050-040-B4 | M 5 | 40 | 3.7 | 7.5 | 8.5 | 5.5 | 3.3 | 2.0 | 3 |
| P0152.050-050-B4 | M 5 | 50 | 3.7 | 7.5 | 8.5 | 5.5 | 3.3 | 2.0 | 3 |
| P0152.050-060-B4 | M 5 | 60 | 3.7 | 7.5 | 8.5 | 5.5 | 3.3 | 2.0 | 3 |
| P0152.050-080-B4 | M 5 | 80 | 3.7 | 7.5 | 8.5 | 5.5 | 3.3 | 2.0 | 3 |
| P0152.060-016-B4 | M 6 | 16 | 4.2 | 7.5 | 10.0 | 6.5 | 3.9 | 2.3 | 4 |
| P0152.060-020-B4 | M 6 | 20 | 4.2 | 7.5 | 10.0 | 6.5 | 3.9 | 2.3 | 4 |
| P0152.060-025-B4 | M 6 | 25 | 4.2 | 7.5 | 10.0 | 6.5 | 3.9 | 2.3 | 4 |
| P0152.060-030-B4 | M 6 | 30 | 4.2 | 7.5 | 10.0 | 6.5 | 3.9 | 2.3 | 4 |
| P0152.060-040-B4 | M 6 | 40 | 4.2 | 7.5 | 10.0 | 6.5 | 3.9 | 2.3 | 4 |
| P0152.060-050-B4 | M 6 | 50 | 4.2 | 7.5 | 10.0 | 6.5 | 3.9 | 2.3 | 4 |
| P0152.060-060-B4 | M 6 | 60 | 4.2 | 7.5 | 10.0 | 6.5 | 3.9 | 2.3 | 4 |
| P0152.060-080-B4 | M 6 | 80 | 4.2 | 7.5 | 10.0 | 6.5 | 3.9 | 2.3 | 4 |

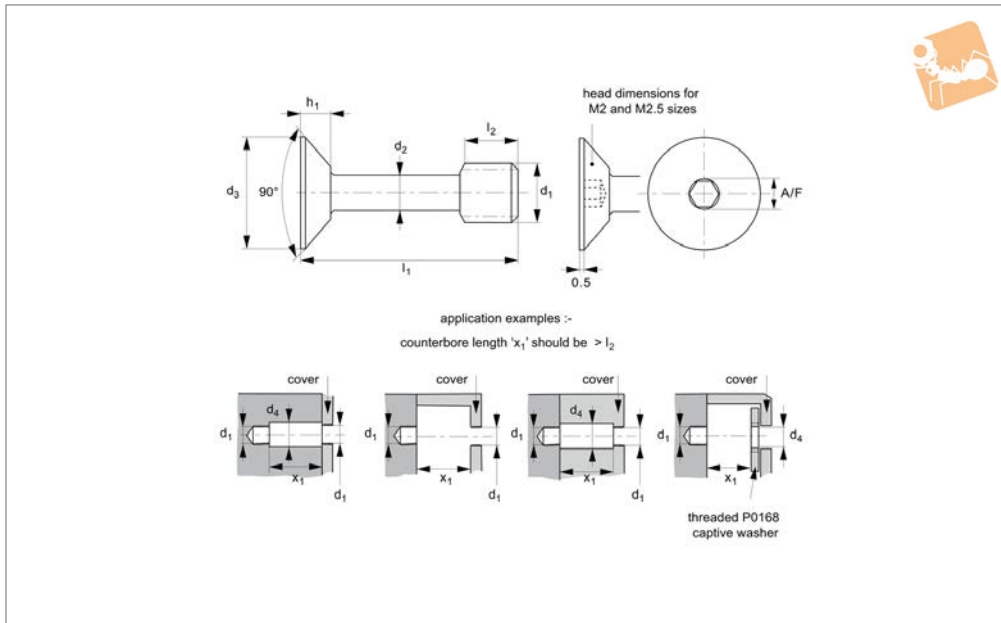


Captive Screws - Countersunk

hex drive - 303 stainless, blackened



Captive Screws



MADE IN BRITAIN

P0153.B2

CAPTIVE SCREWS

Material

Stainless steel (AISI 303, 1.4305), black oxide coating. Tensile strength 550 N/mm². Proof stress min. 190 N/mm², austenitic stainless steel. Also available on request in steel (anodised, black oxide or zinc plated), brass, aluminium etc.

Technical Notes

Used to comply with the Machinery Direc-

tive 2006/42/EC. Often used with our captive washers (P0168) or retaining flanges (P0169 - for sheet metal applications). The use of our captive washers should be considered when fitted in panels with unthreaded holes.

Important Notes

Please note that these screws have a reduced diameter shank and should not be tightened to the recommended torque for

an equivalent machine screw of size d₁. To accommodate the slight undercut at the top of the shank, the hex socket is smaller than on a similar threaded machine screw.

| Order No. | d ₁ | l ₁ ±0.25 | d ₂ ±0.12 | l ₂ ±0.25 | d ₃ max. | d ₄ min. | h ₁ max. | A/F |
|------------------|----------------|-------------------------|-------------------------|-------------------------|------------------------|------------------------|------------------------|-----|
| P0153.020-010-B2 | M 2 | 10 | 1.2 | 3.5 | 3.8 | 2.5 | 1.20 | 1.0 |
| P0153.020-012-B2 | M 2 | 12 | 1.2 | 3.5 | 3.8 | 2.5 | 1.20 | 1.0 |
| P0153.020-016-B2 | M 2 | 16 | 1.2 | 3.5 | 3.8 | 2.5 | 1.20 | 1.0 |
| P0153.020-020-B2 | M 2 | 20 | 1.2 | 3.5 | 3.8 | 2.5 | 1.20 | 1.0 |
| P0153.025-010-B2 | M 2,5 | 10 | 1.7 | 3.7 | 4.7 | 2.8 | 1.80 | 1.3 |
| P0153.025-012-B2 | M 2,5 | 12 | 1.7 | 3.7 | 4.7 | 2.8 | 1.80 | 1.3 |
| P0153.025-016-B2 | M 2,5 | 16 | 1.7 | 3.7 | 4.7 | 2.8 | 1.80 | 1.3 |
| P0153.025-020-B2 | M 2,5 | 20 | 1.7 | 3.7 | 4.7 | 2.8 | 1.80 | 1.3 |
| P0153.030-008-B2 | M 3 | 10 | 2.0 | 4.5 | 5.6 | 3.5 | 1.65 | 1.5 |
| P0153.030-010-B2 | M 3 | 10 | 2.0 | 4.5 | 5.6 | 3.5 | 1.65 | 1.5 |
| P0153.030-012-B2 | M 3 | 12 | 2.0 | 4.5 | 5.6 | 3.5 | 1.65 | 1.5 |
| P0153.030-016-B2 | M 3 | 16 | 2.0 | 4.5 | 5.6 | 3.5 | 1.65 | 1.5 |
| P0153.030-020-B2 | M 3 | 20 | 2.0 | 4.5 | 5.6 | 3.5 | 1.65 | 1.5 |
| P0153.030-025-B2 | M 3 | 25 | 2.0 | 4.5 | 5.6 | 3.5 | 1.65 | 1.5 |
| P0153.030-030-B2 | M 3 | 30 | 2.0 | 4.5 | 5.6 | 3.5 | 1.65 | 1.5 |
| P0153.030-035-B2 | M 3 | 35 | 2.0 | 4.5 | 5.6 | 3.5 | 1.65 | 1.5 |
| P0153.030-040-B2 | M 3 | 40 | 2.0 | 4.5 | 5.6 | 3.5 | 1.65 | 1.5 |
| P0153.040-010-B2 | M 4 | 10 | 2.8 | 6.0 | 7.5 | 4.5 | 2.20 | 2.0 |
| P0153.040-012-B2 | M 4 | 12 | 2.8 | 6.0 | 7.5 | 4.5 | 2.20 | 2.0 |
| P0153.040-014-B2 | M 4 | 14 | 2.8 | 6.0 | 7.5 | 4.5 | 2.20 | 2.0 |
| P0153.040-016-B2 | M 4 | 16 | 2.8 | 6.0 | 7.5 | 4.5 | 2.20 | 2.0 |
| P0153.040-020-B2 | M 4 | 20 | 2.8 | 6.0 | 7.5 | 4.5 | 2.20 | 2.0 |
| P0153.040-025-B2 | M 4 | 25 | 2.8 | 6.0 | 7.5 | 4.5 | 2.20 | 2.0 |
| P0153.040-030-B2 | M 4 | 30 | 2.8 | 6.0 | 7.5 | 4.5 | 2.20 | 2.0 |
| P0153.040-035-B2 | M 4 | 35 | 2.8 | 6.0 | 7.5 | 4.5 | 2.20 | 2.0 |
| P0153.040-040-B2 | M 4 | 40 | 2.8 | 6.0 | 7.5 | 4.5 | 2.20 | 2.0 |



CAPTIVE SCREWS

| Order No. | d ₁ | l ₁ ±0.25 | d ₂ ±0.12 | l ₂ ±0.25 | d ₃ max. | d ₄ min. | h ₁ max. | A/F |
|------------------|----------------|-------------------------|-------------------------|-------------------------|------------------------|------------------------|------------------------|-----|
| P0153.040-050-B2 | M 4 | 50 | 2.8 | 6.0 | 7.5 | 4.5 | 2.20 | 2.0 |
| P0153.040-060-B2 | M 4 | 60 | 2.8 | 6.0 | 7.5 | 4.5 | 2.20 | 2.0 |
| P0153.050-012-B2 | M 5 | 12 | 3.7 | 7.5 | 9.2 | 5.5 | 2.50 | 2.5 |
| P0153.050-014-B2 | M 5 | 14 | 3.7 | 7.5 | 9.2 | 5.5 | 2.50 | 2.5 |
| P0153.050-016-B2 | M 5 | 16 | 3.7 | 7.5 | 9.2 | 5.5 | 2.50 | 2.5 |
| P0153.050-020-B2 | M 5 | 20 | 3.7 | 7.5 | 9.2 | 5.5 | 2.50 | 2.5 |
| P0153.050-025-B2 | M 5 | 25 | 3.7 | 7.5 | 9.2 | 5.5 | 2.50 | 2.5 |
| P0153.050-030-B2 | M 5 | 30 | 3.7 | 7.5 | 9.2 | 5.5 | 2.50 | 2.5 |
| P0153.050-035-B2 | M 5 | 35 | 3.7 | 7.5 | 9.2 | 5.5 | 2.50 | 2.5 |
| P0153.050-040-B2 | M 5 | 40 | 3.7 | 7.5 | 9.2 | 5.5 | 2.50 | 2.5 |
| P0153.050-050-B2 | M 5 | 50 | 3.7 | 7.5 | 9.2 | 5.5 | 2.50 | 2.5 |
| P0153.050-060-B2 | M 5 | 60 | 3.7 | 7.5 | 9.2 | 5.5 | 2.50 | 2.5 |
| P0153.060-016-B2 | M 6 | 16 | 4.2 | 8.0 | 11.0 | 6.5 | 3.00 | 3.0 |
| P0153.060-020-B2 | M 6 | 20 | 4.2 | 8.0 | 11.0 | 6.5 | 3.00 | 3.0 |
| P0153.060-025-B2 | M 6 | 25 | 4.2 | 8.0 | 11.0 | 6.5 | 3.00 | 3.0 |
| P0153.060-030-B2 | M 6 | 30 | 4.2 | 8.0 | 11.0 | 6.5 | 3.00 | 3.0 |
| P0153.060-035-B2 | M 6 | 35 | 4.2 | 8.0 | 11.0 | 6.5 | 3.00 | 3.0 |
| P0153.060-040-B2 | M 6 | 40 | 4.2 | 8.0 | 11.0 | 6.5 | 3.00 | 3.0 |
| P0153.060-050-B2 | M 6 | 50 | 4.2 | 8.0 | 11.0 | 6.5 | 3.00 | 3.0 |
| P0153.060-060-B2 | M 6 | 60 | 4.2 | 8.0 | 11.0 | 6.5 | 3.00 | 3.0 |
| P0153.080-020-B2 | M 8 | 20 | 6.0 | 10.0 | 15.0 | 8.5 | 4.10 | 4.0 |
| P0153.080-025-B2 | M 8 | 25 | 6.0 | 10.0 | 15.0 | 8.5 | 4.10 | 4.0 |
| P0153.080-030-B2 | M 8 | 30 | 6.0 | 10.0 | 15.0 | 8.5 | 4.10 | 4.0 |
| P0153.080-040-B2 | M 8 | 40 | 6.0 | 10.0 | 15.0 | 8.5 | 4.10 | 4.0 |
| P0153.080-050-B2 | M 8 | 50 | 6.0 | 10.0 | 15.0 | 8.5 | 4.10 | 4.0 |
| P0153.080-060-B2 | M 8 | 60 | 6.0 | 10.0 | 15.0 | 8.5 | 4.10 | 4.0 |

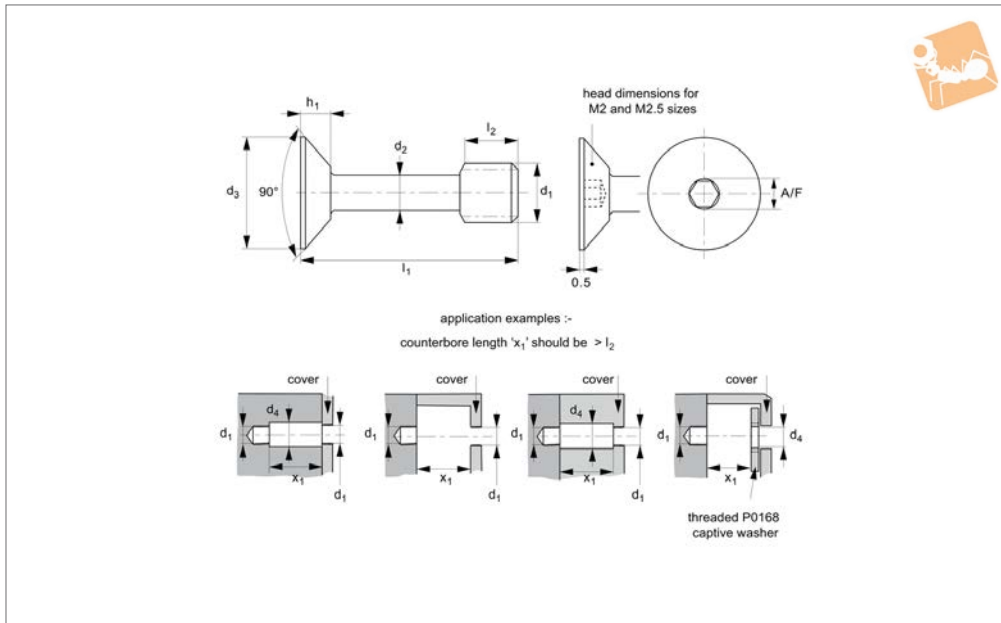


Captive Screws - Countersunk

hex drive - 316 stainless, blackened



Captive Screws



MADE IN BRITAIN

P0153.B4

CAPTIVE SCREWS

Material

Stainless steel (AISI 316, 1.440), black oxide coating. Tensile strength 480 N/mm². Proof stress min. 200 N/mm², austenitic stainless steel. Also available on request in steel (anodised, black oxide or zinc plated), brass, aluminium etc.

Technical Notes

Used to comply with the Machinery Direc-

tive 2006/42/EC. Often used with our captive washers (P0168) or retaining flanges (P0169 - for sheet metal applications). The use of our captive washers should be considered when fitted in panels with unthreaded holes.

Important Notes

Please note that these screws have a reduced diameter shank and should not be tightened to the recommended torque for

an equivalent machine screw of size d_1 . To accommodate the slight undercut at the top of the shank, the hex socket is smaller than on a similar threaded machine screw.

| Order No. | d_1 | l_1 ± 0.25 | d_2 ± 0.12 | l_2 ± 0.25 | d_3 max. | d_4 min. | h_1 max. | A/F |
|------------------|-------|---------------------|---------------------|---------------------|---------------|---------------|---------------|-----|
| P0153.020-010-B4 | M 2 | 10 | 1.2 | 3.5 | 3.8 | 2.5 | 1.20 | 1.0 |
| P0153.020-012-B4 | M 2 | 12 | 1.2 | 3.5 | 3.8 | 2.5 | 1.20 | 1.0 |
| P0153.020-016-B4 | M 2 | 16 | 1.2 | 3.5 | 3.8 | 2.5 | 1.20 | 1.0 |
| P0153.020-020-B4 | M 2 | 20 | 1.2 | 3.5 | 3.8 | 2.5 | 1.20 | 1.0 |
| P0153.025-010-B4 | M 2,5 | 10 | 1.7 | 3.7 | 4.7 | 2.8 | 1.80 | 1.3 |
| P0153.025-012-B4 | M 2,5 | 12 | 1.7 | 3.7 | 4.7 | 2.8 | 1.80 | 1.3 |
| P0153.025-016-B4 | M 2,5 | 16 | 1.7 | 3.7 | 4.7 | 2.8 | 1.80 | 1.3 |
| P0153.025-020-B4 | M 2,5 | 20 | 1.7 | 3.7 | 4.7 | 2.8 | 1.80 | 1.3 |
| P0153.030-008-B4 | M 3 | 8 | 2.0 | 4.5 | 5.6 | 3.5 | 1.65 | 1.5 |
| P0153.030-010-B4 | M 3 | 10 | 2.0 | 4.5 | 5.6 | 3.5 | 1.65 | 1.5 |
| P0153.030-012-B4 | M 3 | 12 | 2.0 | 4.5 | 5.6 | 3.5 | 1.65 | 1.5 |
| P0153.030-016-B4 | M 3 | 16 | 2.0 | 4.5 | 5.6 | 3.5 | 1.65 | 1.5 |
| P0153.030-020-B4 | M 3 | 20 | 2.0 | 4.5 | 5.6 | 3.5 | 1.65 | 1.5 |
| P0153.030-025-B4 | M 3 | 25 | 2.0 | 4.5 | 5.6 | 3.5 | 1.65 | 1.5 |
| P0153.030-030-B4 | M 3 | 30 | 2.0 | 4.5 | 5.6 | 3.5 | 1.65 | 1.5 |
| P0153.030-035-B4 | M 3 | 35 | 2.0 | 4.5 | 5.6 | 3.5 | 1.65 | 1.5 |
| P0153.030-040-B4 | M 3 | 40 | 2.0 | 4.5 | 5.6 | 3.5 | 1.65 | 1.5 |
| P0153.040-010-B4 | M 4 | 10 | 2.8 | 6.0 | 7.5 | 4.5 | 2.20 | 2.0 |
| P0153.040-012-B4 | M 4 | 12 | 2.8 | 6.0 | 7.5 | 4.5 | 2.20 | 2.0 |
| P0153.040-014-B4 | M 4 | 14 | 2.8 | 6.0 | 7.5 | 4.5 | 2.20 | 2.0 |
| P0153.040-016-B4 | M 4 | 16 | 2.8 | 6.0 | 7.5 | 4.5 | 2.20 | 2.0 |
| P0153.040-020-B4 | M 4 | 20 | 2.8 | 6.0 | 7.5 | 4.5 | 2.20 | 2.0 |
| P0153.040-025-B4 | M 4 | 25 | 2.8 | 6.0 | 7.5 | 4.5 | 2.20 | 2.0 |
| P0153.040-030-B4 | M 4 | 30 | 2.8 | 6.0 | 7.5 | 4.5 | 2.20 | 2.0 |
| P0153.040-035-B4 | M 4 | 35 | 2.8 | 6.0 | 7.5 | 4.5 | 2.20 | 2.0 |
| P0153.040-040-B4 | M 4 | 40 | 2.8 | 6.0 | 7.5 | 4.5 | 2.20 | 2.0 |



CAPTIVE SCREWS

| Order No. | d ₁ | l ₁ ±0.25 | d ₂ ±0.12 | l ₂ ±0.25 | d ₃ max. | d ₄ min. | h ₁ max. | A/F |
|------------------|----------------|-------------------------|-------------------------|-------------------------|------------------------|------------------------|------------------------|-----|
| P0153.040-050-B4 | M 4 | 50 | 2.8 | 6.0 | 7.5 | 4.5 | 2.20 | 2.0 |
| P0153.040-060-B4 | M 4 | 60 | 2.8 | 6.0 | 7.5 | 4.5 | 2.20 | 2.0 |
| P0153.050-012-B4 | M 5 | 12 | 3.7 | 7.5 | 9.2 | 5.5 | 2.50 | 2.5 |
| P0153.050-014-B4 | M 5 | 14 | 3.7 | 7.5 | 9.2 | 5.5 | 2.50 | 2.5 |
| P0153.050-016-B4 | M 5 | 16 | 3.7 | 7.5 | 9.2 | 5.5 | 2.50 | 2.5 |
| P0153.050-020-B4 | M 5 | 20 | 3.7 | 7.5 | 9.2 | 5.5 | 2.50 | 2.5 |
| P0153.050-025-B4 | M 5 | 25 | 3.7 | 7.5 | 9.2 | 5.5 | 2.50 | 2.5 |
| P0153.050-030-B4 | M 5 | 30 | 3.7 | 7.5 | 9.2 | 5.5 | 2.50 | 2.5 |
| P0153.050-035-B4 | M 5 | 35 | 3.7 | 7.5 | 9.2 | 5.5 | 2.50 | 2.5 |
| P0153.050-040-B4 | M 5 | 40 | 3.7 | 7.5 | 9.2 | 5.5 | 2.50 | 2.5 |
| P0153.050-050-B4 | M 5 | 50 | 3.7 | 7.5 | 9.2 | 5.5 | 2.50 | 2.5 |
| P0153.050-060-B4 | M 5 | 60 | 3.7 | 7.5 | 9.2 | 5.5 | 2.50 | 2.5 |
| P0153.060-016-B4 | M 6 | 16 | 4.2 | 8.0 | 11.0 | 6.5 | 3.00 | 3.0 |
| P0153.060-020-B4 | M 6 | 20 | 4.2 | 8.0 | 11.0 | 6.5 | 3.00 | 3.0 |
| P0153.060-025-B4 | M 6 | 25 | 4.2 | 8.0 | 11.0 | 6.5 | 3.00 | 3.0 |
| P0153.060-030-B4 | M 6 | 30 | 4.2 | 8.0 | 11.0 | 6.5 | 3.00 | 3.0 |
| P0153.060-035-B4 | M 6 | 35 | 4.2 | 8.0 | 11.0 | 6.5 | 3.00 | 3.0 |
| P0153.060-040-B4 | M 6 | 40 | 4.2 | 8.0 | 11.0 | 6.5 | 3.00 | 3.0 |
| P0153.060-050-B4 | M 6 | 50 | 4.2 | 8.0 | 11.0 | 6.5 | 3.00 | 3.0 |
| P0153.060-060-B4 | M 6 | 60 | 4.2 | 8.0 | 11.0 | 6.5 | 3.00 | 3.0 |
| P0153.080-020-B4 | M 8 | 20 | 6.0 | 10.0 | 15.0 | 8.5 | 4.10 | 4.0 |
| P0153.080-025-B4 | M 8 | 25 | 6.0 | 10.0 | 15.0 | 8.5 | 4.10 | 4.0 |
| P0153.080-030-B4 | M 8 | 30 | 6.0 | 10.0 | 15.0 | 8.5 | 4.10 | 4.0 |
| P0153.080-040-B4 | M 8 | 40 | 6.0 | 10.0 | 15.0 | 8.5 | 4.10 | 4.0 |
| P0153.080-050-B4 | M 8 | 50 | 6.0 | 10.0 | 15.0 | 8.5 | 4.10 | 4.0 |
| P0153.080-060-B4 | M 8 | 60 | 6.0 | 10.0 | 15.0 | 8.5 | 4.10 | 4.0 |

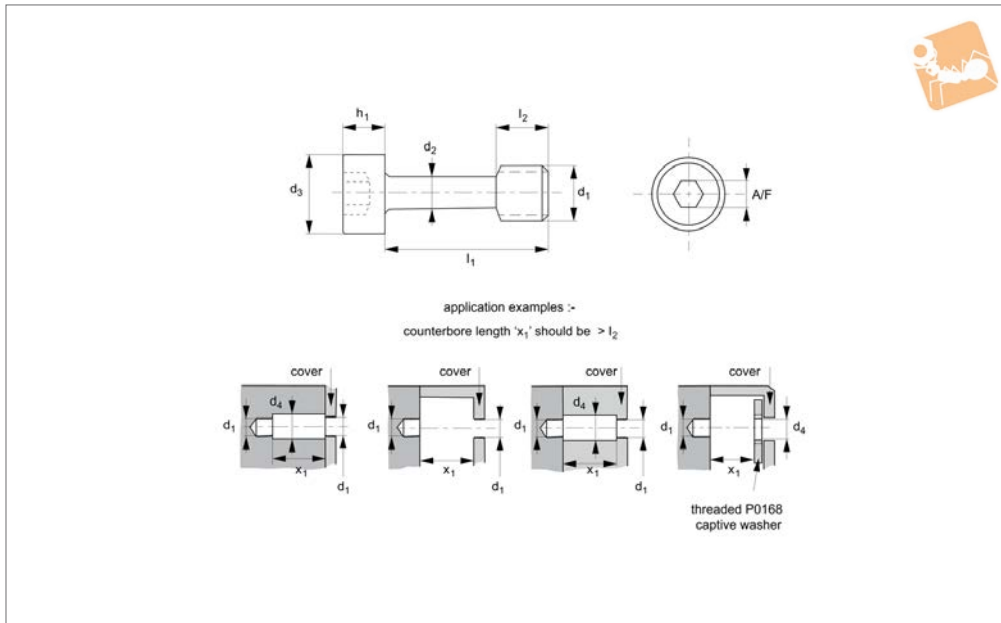


Captive Screws - Cap Head

hex drive - 303 stainless, blackened



Captive Screws



P0154.B2

CAPTIVE SCREWS

Material

Stainless steel (AISI 303, 1.4305), black oxide coating. Tensile strength 550 N/mm². Proof stress min. 190 N/mm², austenitic stainless steel.
Also available on request in steel (anodised, black oxide or zinc plated) stainless steel (AISI 316, 1.440), brass, aluminium etc.

Technical Notes

Used to comply with the Machinery Directive 2006/42/EC. Generally to ISO 4762. Often used with our captive washers (P0168) or retaining flanges (P0169 - for sheet metal applications). The use of our captive washers should be considered when fitted in panels with unthreaded holes.

Tips

For TX drive style, see P0156.

Important Notes

Please note that these screws have a reduced diameter shank and should not be tightened to the recommended torque for an equivalent machine screw of size d₁.

| Order No. | d ₁ | l ₁ ±0.25 | d ₂ ±0.12 | l ₂ ±0.25 | d ₃ max. | d ₄ min. | h ₁ max. | A/F |
|------------------|----------------|-------------------------|-------------------------|-------------------------|------------------------|------------------------|------------------------|-----|
| P0154.025-005-B2 | M 2,5 | 5 | 1.8 | 3.0 | 4.5 | 2.8 | 2.5 | 2 |
| P0154.025-008-B2 | M 2,5 | 8 | 1.8 | 3.0 | 4.5 | 2.8 | 2.5 | 2 |
| P0154.025-010-B2 | M 2,5 | 10 | 1.8 | 3.0 | 4.5 | 2.8 | 2.5 | 2 |
| P0154.025-012-B2 | M 2,5 | 12 | 1.8 | 3.0 | 4.5 | 2.8 | 2.5 | 2 |
| P0154.030-008-B2 | M 3 | 8 | 2.0 | 4.5 | 5.5 | 3.5 | 3.0 | 2.5 |
| P0154.030-010-B2 | M 3 | 10 | 2.0 | 4.5 | 5.5 | 3.5 | 3.0 | 2.5 |
| P0154.030-012-B2 | M 3 | 12 | 2.0 | 4.5 | 5.5 | 3.5 | 3.0 | 2.5 |
| P0154.030-016-B2 | M 3 | 16 | 2.0 | 4.5 | 5.5 | 3.5 | 3.0 | 2.5 |
| P0154.030-020-B2 | M 3 | 20 | 2.0 | 4.5 | 5.5 | 3.5 | 3.0 | 2.5 |
| P0154.030-025-B2 | M 3 | 25 | 2.0 | 4.5 | 5.5 | 3.5 | 3.0 | 2.5 |
| P0154.030-030-B2 | M 3 | 30 | 2.0 | 4.5 | 5.5 | 3.5 | 3.0 | 2.5 |
| P0154.040-010-B2 | M 4 | 10 | 2.8 | 6.0 | 7.0 | 4.5 | 4.0 | 3 |
| P0154.040-012-B2 | M 4 | 12 | 2.8 | 6.0 | 7.0 | 4.5 | 4.0 | 3 |
| P0154.040-016-B2 | M 4 | 16 | 2.8 | 6.0 | 7.0 | 4.5 | 4.0 | 3 |
| P0154.040-020-B2 | M 4 | 20 | 2.8 | 6.0 | 7.0 | 4.5 | 4.0 | 3 |
| P0154.040-025-B2 | M 4 | 25 | 2.8 | 6.0 | 7.0 | 4.5 | 4.0 | 3 |
| P0154.040-030-B2 | M 4 | 30 | 2.8 | 6.0 | 7.0 | 4.5 | 4.0 | 3 |
| P0154.040-035-B2 | M 4 | 35 | 2.8 | 6.0 | 7.0 | 4.5 | 4.0 | 3 |
| P0154.040-040-B2 | M 4 | 40 | 2.8 | 6.0 | 7.0 | 4.5 | 4.0 | 3 |
| P0154.040-050-B2 | M 4 | 50 | 2.8 | 6.0 | 7.0 | 4.5 | 4.0 | 3 |
| P0154.050-012-B2 | M 5 | 12 | 3.7 | 7.5 | 8.5 | 5.5 | 5.0 | 4 |
| P0154.050-016-B2 | M 5 | 16 | 3.7 | 7.5 | 8.5 | 5.5 | 5.0 | 4 |
| P0154.050-020-B2 | M 5 | 20 | 3.7 | 7.5 | 8.5 | 5.5 | 5.0 | 4 |
| P0154.050-025-B2 | M 5 | 25 | 3.7 | 7.5 | 8.5 | 5.5 | 5.0 | 4 |
| P0154.050-030-B2 | M 5 | 30 | 3.7 | 7.5 | 8.5 | 5.5 | 5.0 | 4 |
| P0154.050-035-B2 | M 5 | 35 | 3.7 | 7.5 | 8.5 | 5.5 | 5.0 | 4 |
| P0154.050-040-B2 | M 5 | 40 | 3.7 | 7.5 | 8.5 | 5.5 | 5.0 | 4 |
| P0154.050-050-B2 | M 5 | 50 | 3.7 | 7.5 | 8.5 | 5.5 | 5.0 | 4 |



CAPTIVE SCREWS

| Order No. | d ₁ | l ₁ ±0.25 | d ₂ ±0.12 | l ₂ ±0.25 | d ₃ max. | d ₄ min. | h ₁ max. | A/F |
|------------------|----------------|-------------------------|-------------------------|-------------------------|------------------------|------------------------|------------------------|-----|
| P0154.060-012-B2 | M 6 | 12 | 4.2 | 7.5 | 10.0 | 6.5 | 6.0 | 5 |
| P0154.060-016-B2 | M 6 | 16 | 4.2 | 7.5 | 10.0 | 6.5 | 6.0 | 5 |
| P0154.060-020-B2 | M 6 | 20 | 4.2 | 7.5 | 10.0 | 6.5 | 6.0 | 5 |
| P0154.060-025-B2 | M 6 | 25 | 4.2 | 7.5 | 10.0 | 6.5 | 6.0 | 5 |
| P0154.060-030-B2 | M 6 | 30 | 4.2 | 7.5 | 10.0 | 6.5 | 6.0 | 5 |
| P0154.060-035-B2 | M 6 | 35 | 4.2 | 7.5 | 10.0 | 6.5 | 6.0 | 5 |
| P0154.060-040-B2 | M 6 | 40 | 4.2 | 7.5 | 10.0 | 6.5 | 6.0 | 5 |
| P0154.060-050-B2 | M 6 | 50 | 4.2 | 7.5 | 10.0 | 6.5 | 6.0 | 5 |
| P0154.060-060-B2 | M 6 | 60 | 4.2 | 7.5 | 10.0 | 6.5 | 6.0 | 5 |
| P0154.060-080-B2 | M 6 | 80 | 4.2 | 7.5 | 10.0 | 6.5 | 6.0 | 5 |
| P0154.080-016-B2 | M 8 | 16 | 6.0 | 10.0 | 13.0 | 8.5 | 8.0 | 6 |
| P0154.080-020-B2 | M 8 | 20 | 6.0 | 10.0 | 13.0 | 8.5 | 8.0 | 6 |
| P0154.080-025-B2 | M 8 | 25 | 6.0 | 10.0 | 13.0 | 8.5 | 8.0 | 6 |
| P0154.080-030-B2 | M 8 | 30 | 6.0 | 10.0 | 13.0 | 8.5 | 8.0 | 6 |
| P0154.080-035-B2 | M 8 | 35 | 6.0 | 10.0 | 13.0 | 8.5 | 8.0 | 6 |
| P0154.080-040-B2 | M 8 | 40 | 6.0 | 10.0 | 13.0 | 8.5 | 8.0 | 6 |
| P0154.080-045-B2 | M 8 | 45 | 6.0 | 10.0 | 13.0 | 8.5 | 8.0 | 6 |
| P0154.080-050-B2 | M 8 | 50 | 6.0 | 10.0 | 13.0 | 8.5 | 8.0 | 6 |
| P0154.080-060-B2 | M 8 | 60 | 6.0 | 10.0 | 13.0 | 8.5 | 8.0 | 6 |
| P0154.080-080-B2 | M 8 | 80 | 6.0 | 10.0 | 13.0 | 8.5 | 8.0 | 6 |
| P0154.100-020-B2 | M10 | 20 | 7.5 | 12.5 | 16.0 | 10.6 | 10.0 | 8 |
| P0154.100-025-B2 | M10 | 25 | 7.5 | 12.5 | 16.0 | 10.6 | 10.0 | 8 |
| P0154.100-030-B2 | M10 | 30 | 7.5 | 12.5 | 16.0 | 10.6 | 10.0 | 8 |
| P0154.100-035-B2 | M10 | 35 | 7.5 | 12.5 | 16.0 | 10.6 | 10.0 | 8 |
| P0154.100-040-B2 | M10 | 40 | 7.5 | 12.5 | 16.0 | 10.6 | 10.0 | 8 |
| P0154.100-045-B2 | M10 | 45 | 7.5 | 12.5 | 16.0 | 10.6 | 10.0 | 8 |
| P0154.100-050-B2 | M10 | 50 | 7.5 | 12.5 | 16.0 | 10.6 | 10.0 | 8 |
| P0154.100-060-B2 | M10 | 60 | 7.5 | 12.5 | 16.0 | 10.6 | 10.0 | 8 |
| P0154.100-080-B2 | M10 | 80 | 7.5 | 12.5 | 16.0 | 10.6 | 10.0 | 8 |
| P0154.120-025-B2 | M12 | 25 | 8.0 | 15.0 | 18.0 | 13.2 | 12.0 | 10 |
| P0154.120-030-B2 | M12 | 30 | 8.0 | 15.0 | 18.0 | 13.2 | 12.0 | 10 |
| P0154.120-035-B2 | M12 | 35 | 8.0 | 15.0 | 18.0 | 13.2 | 12.0 | 10 |
| P0154.120-040-B2 | M12 | 40 | 8.0 | 15.0 | 18.0 | 13.2 | 12.0 | 10 |
| P0154.120-045-B2 | M12 | 45 | 8.0 | 15.0 | 18.0 | 13.2 | 12.0 | 10 |
| P0154.120-050-B2 | M12 | 50 | 8.0 | 15.0 | 18.0 | 13.2 | 12.0 | 10 |
| P0154.120-060-B2 | M12 | 60 | 8.0 | 15.0 | 18.0 | 13.2 | 12.0 | 10 |
| P0154.120-080-B2 | M12 | 80 | 8.0 | 15.0 | 18.0 | 13.2 | 12.0 | 10 |
| P0154.160-030-B2 | M16 | 30 | 12.0 | 20.0 | 24.0 | 17.5 | 16.0 | 14 |
| P0154.160-035-B2 | M16 | 35 | 12.0 | 20.0 | 24.0 | 17.5 | 16.0 | 14 |
| P0154.160-040-B2 | M16 | 40 | 12.0 | 20.0 | 24.0 | 17.5 | 16.0 | 14 |
| P0154.160-045-B2 | M16 | 45 | 12.0 | 20.0 | 24.0 | 17.5 | 16.0 | 14 |
| P0154.160-050-B2 | M16 | 50 | 12.0 | 20.0 | 24.0 | 17.5 | 16.0 | 14 |
| P0154.160-060-B2 | M16 | 60 | 12.0 | 20.0 | 24.0 | 17.5 | 16.0 | 14 |
| P0154.160-080-B2 | M16 | 80 | 12.0 | 20.0 | 24.0 | 17.5 | 16.0 | 14 |
| P0154.160-100-B2 | M16 | 100 | 12.0 | 20.0 | 24.0 | 17.5 | 16.0 | 14 |
| P0154.200-040-B2 | M20 | 40 | 16.0 | 25.0 | 30.0 | 22.0 | 20.0 | 19 |
| P0154.200-060-B2 | M20 | 60 | 16.0 | 25.0 | 30.0 | 22.0 | 20.0 | 19 |
| P0154.200-080-B2 | M20 | 80 | 16.0 | 25.0 | 30.0 | 22.0 | 20.0 | 19 |
| P0154.200-100-B2 | M20 | 100 | 16.0 | 25.0 | 30.0 | 22.0 | 20.0 | 19 |
| P0154.200-120-B2 | M20 | 120 | 16.0 | 25.0 | 30.0 | 22.0 | 20.0 | 19 |

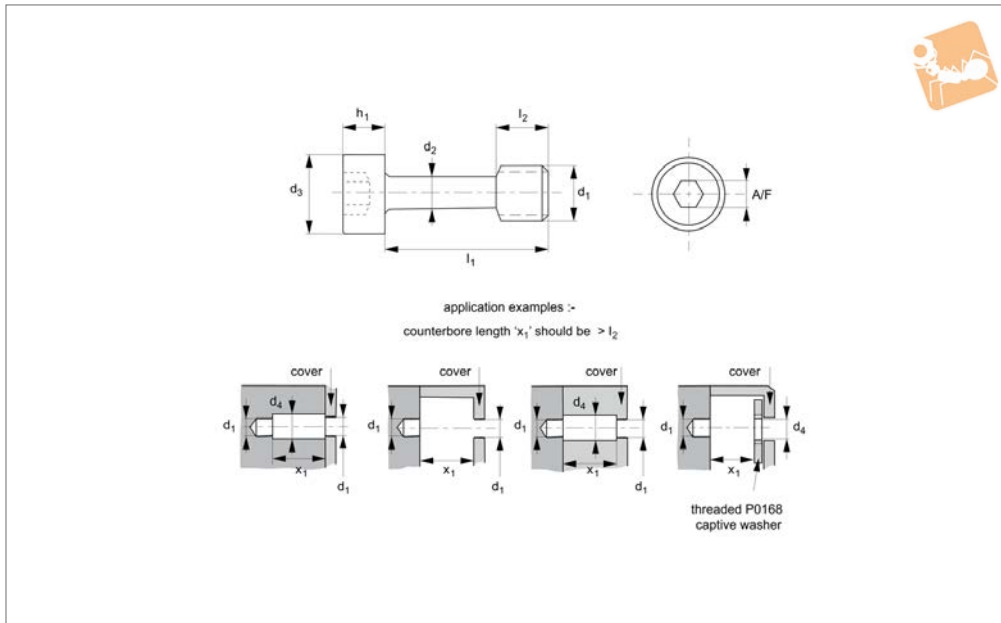


Captive Screws - Cap Head

hex drive - 316 stainless, blackened



Captive Screws



MADE IN BRITAIN

P0154.B4

CAPTIVE SCREWS

Material

Stainless steel (AISI 316, 1.440), black oxide coating. Tensile strength 480 N/mm². Proof stress min. 200 N/mm², austenitic stainless steel.
Also available on request in steel (anodised, black oxide or zinc plated) stainless steel (AISI 303, 1.4305), brass, aluminium etc.

Technical Notes

Used to comply with the Machinery Directive 2006/42/EC. Generally to ISO 4762. Often used with our captive washers (P0168) or retaining flanges (P0169 - for sheet metal applications). The use of our captive washers should be considered when fitted in panels with unthreaded holes.

Tips

For TX drive style, see P0156.

Important Notes

Please note that these screws have a reduced diameter shank and should not be tightened to the recommended torque for an equivalent machine screw of size d₁.

| Order No. | d ₁ | l ₁ ±0.25 | d ₂ ±0.12 | l ₂ ±0.25 | d ₃ max. | d ₄ min. | h ₁ max. | A/F |
|------------------|----------------|-------------------------|-------------------------|-------------------------|------------------------|------------------------|------------------------|-----|
| P0154.025-005-B4 | M 2,5 | 5 | 1.8 | 3.0 | 4.5 | 2.8 | 2.5 | 2 |
| P0154.025-008-B4 | M 2,5 | 8 | 1.8 | 3.0 | 4.5 | 2.8 | 2.5 | 2 |
| P0154.025-010-B4 | M 2,5 | 10 | 1.8 | 3.0 | 4.5 | 2.8 | 2.5 | 2 |
| P0154.025-012-B4 | M 2,5 | 12 | 1.8 | 3.0 | 4.5 | 2.8 | 2.5 | 2 |
| P0154.030-008-B4 | M 3 | 8 | 2.0 | 4.5 | 5.5 | 3.5 | 3.0 | 2.5 |
| P0154.030-010-B4 | M 3 | 10 | 2.0 | 4.5 | 5.5 | 3.5 | 3.0 | 2.5 |
| P0154.030-012-B4 | M 3 | 12 | 2.0 | 4.5 | 5.5 | 3.5 | 3.0 | 2.5 |
| P0154.030-016-B4 | M 3 | 16 | 2.0 | 4.5 | 5.5 | 3.5 | 3.0 | 2.5 |
| P0154.030-020-B4 | M 3 | 20 | 2.0 | 4.5 | 5.5 | 3.5 | 3.0 | 2.5 |
| P0154.030-025-B4 | M 3 | 25 | 2.0 | 4.5 | 5.5 | 3.5 | 3.0 | 2.5 |
| P0154.030-030-B4 | M 3 | 30 | 2.0 | 4.5 | 5.5 | 3.5 | 3.0 | 2.5 |
| P0154.040-010-B4 | M 4 | 10 | 2.8 | 6.0 | 7.0 | 4.5 | 4.0 | 3 |
| P0154.040-016-B4 | M 4 | 16 | 2.8 | 6.0 | 7.0 | 4.5 | 4.0 | 3 |
| P0154.040-020-B4 | M 4 | 20 | 2.8 | 6.0 | 7.0 | 4.5 | 4.0 | 3 |
| P0154.040-025-B4 | M 4 | 25 | 2.8 | 6.0 | 7.0 | 4.5 | 4.0 | 3 |
| P0154.040-030-B4 | M 4 | 30 | 2.8 | 6.0 | 7.0 | 4.5 | 4.0 | 3 |
| P0154.040-035-B4 | M 4 | 35 | 2.8 | 6.0 | 7.0 | 4.5 | 4.0 | 3 |
| P0154.040-040-B4 | M 4 | 40 | 2.8 | 6.0 | 7.0 | 4.5 | 4.0 | 3 |
| P0154.040-050-B4 | M 4 | 50 | 2.8 | 6.0 | 7.0 | 4.5 | 4.0 | 3 |
| P0154.050-012-B4 | M 5 | 12 | 3.7 | 7.5 | 8.5 | 5.5 | 5.0 | 4 |
| P0154.050-016-B4 | M 5 | 16 | 3.7 | 7.5 | 8.5 | 5.5 | 5.0 | 4 |
| P0154.050-020-B4 | M 5 | 20 | 3.7 | 7.5 | 8.5 | 5.5 | 5.0 | 4 |
| P0154.050-025-B4 | M 5 | 25 | 3.7 | 7.5 | 8.5 | 5.5 | 5.0 | 4 |
| P0154.050-030-B4 | M 5 | 30 | 3.7 | 7.5 | 8.5 | 5.5 | 5.0 | 4 |
| P0154.050-035-B4 | M 5 | 35 | 3.7 | 7.5 | 8.5 | 5.5 | 5.0 | 4 |
| P0154.050-040-B4 | M 5 | 40 | 3.7 | 7.5 | 8.5 | 5.5 | 5.0 | 4 |
| P0154.050-050-B4 | M 5 | 50 | 3.7 | 7.5 | 8.5 | 5.5 | 5.0 | 4 |
| P0154.060-012-B4 | M 6 | 12 | 4.2 | 7.5 | 10.0 | 6.5 | 6.0 | 5 |



CAPTIVE SCREWS

| Order No. | d ₁ | l ₁ ±0.25 | d ₂ ±0.12 | l ₂ ±0.25 | d ₃ max. | d ₄ min. | h ₁ max. | A/F |
|------------------|----------------|-------------------------|-------------------------|-------------------------|------------------------|------------------------|------------------------|-----|
| P0154.060-016-B4 | M 6 | 16 | 4.2 | 7.5 | 10.0 | 6.5 | 6.0 | 5 |
| P0154.060-020-B4 | M 6 | 20 | 4.2 | 7.5 | 10.0 | 6.5 | 6.0 | 5 |
| P0154.060-025-B4 | M 6 | 25 | 4.2 | 7.5 | 10.0 | 6.5 | 6.0 | 5 |
| P0154.060-030-B4 | M 6 | 30 | 4.2 | 7.5 | 10.0 | 6.5 | 6.0 | 5 |
| P0154.060-035-B4 | M 6 | 35 | 4.2 | 7.5 | 10.0 | 6.5 | 6.0 | 5 |
| P0154.060-040-B4 | M 6 | 40 | 4.2 | 7.5 | 10.0 | 6.5 | 6.0 | 5 |
| P0154.060-050-B4 | M 6 | 50 | 4.2 | 7.5 | 10.0 | 6.5 | 6.0 | 5 |
| P0154.060-060-B4 | M 6 | 60 | 4.2 | 7.5 | 10.0 | 6.5 | 6.0 | 5 |
| P0154.060-080-B4 | M 6 | 80 | 4.2 | 7.5 | 10.0 | 6.5 | 6.0 | 5 |
| P0154.080-016-B4 | M 8 | 16 | 6.0 | 10.0 | 13.0 | 8.5 | 8.0 | 6 |
| P0154.080-020-B4 | M 8 | 20 | 6.0 | 10.0 | 13.0 | 8.5 | 8.0 | 6 |
| P0154.080-025-B4 | M 8 | 25 | 6.0 | 10.0 | 13.0 | 8.5 | 8.0 | 6 |
| P0154.080-030-B4 | M 8 | 30 | 6.0 | 10.0 | 13.0 | 8.5 | 8.0 | 6 |
| P0154.080-035-B4 | M 8 | 35 | 6.0 | 10.0 | 13.0 | 8.5 | 8.0 | 6 |
| P0154.080-040-B4 | M 8 | 40 | 6.0 | 10.0 | 13.0 | 8.5 | 8.0 | 6 |
| P0154.080-045-B4 | M 8 | 45 | 6.0 | 10.0 | 13.0 | 8.5 | 8.0 | 6 |
| P0154.080-050-B4 | M 8 | 50 | 6.0 | 10.0 | 13.0 | 8.5 | 8.0 | 6 |
| P0154.080-060-B4 | M 8 | 60 | 6.0 | 10.0 | 13.0 | 8.5 | 8.0 | 6 |
| P0154.080-080-B4 | M 8 | 80 | 6.0 | 10.0 | 13.0 | 8.5 | 8.0 | 6 |
| P0154.100-020-B4 | M10 | 20 | 7.5 | 12.5 | 16.0 | 10.6 | 10.0 | 8 |
| P0154.100-025-B4 | M10 | 25 | 7.5 | 12.5 | 16.0 | 10.6 | 10.0 | 8 |
| P0154.100-030-B4 | M10 | 30 | 7.5 | 12.5 | 16.0 | 10.6 | 10.0 | 8 |
| P0154.100-035-B4 | M10 | 35 | 7.5 | 12.5 | 16.0 | 10.6 | 10.0 | 8 |
| P0154.100-040-B4 | M10 | 40 | 7.5 | 12.5 | 16.0 | 10.6 | 10.0 | 8 |
| P0154.100-045-B4 | M10 | 45 | 7.5 | 12.5 | 16.0 | 10.6 | 10.0 | 8 |
| P0154.100-050-B4 | M10 | 50 | 7.5 | 12.5 | 16.0 | 10.6 | 10.0 | 8 |
| P0154.100-060-B4 | M10 | 60 | 7.5 | 12.5 | 16.0 | 10.6 | 10.0 | 8 |
| P0154.100-080-B4 | M10 | 80 | 7.5 | 12.5 | 16.0 | 10.6 | 10.0 | 8 |
| P0154.120-025-B4 | M12 | 25 | 8.0 | 15.0 | 18.0 | 13.2 | 12.0 | 10 |
| P0154.120-030-B4 | M12 | 30 | 8.0 | 15.0 | 18.0 | 13.2 | 12.0 | 10 |
| P0154.120-035-B4 | M12 | 35 | 8.0 | 15.0 | 18.0 | 13.2 | 12.0 | 10 |
| P0154.120-040-B4 | M12 | 40 | 8.0 | 15.0 | 18.0 | 13.2 | 12.0 | 10 |
| P0154.120-045-B4 | M12 | 45 | 8.0 | 15.0 | 18.0 | 13.2 | 12.0 | 10 |
| P0154.120-050-B4 | M12 | 50 | 8.0 | 15.0 | 18.0 | 13.2 | 12.0 | 10 |
| P0154.120-060-B4 | M12 | 60 | 8.0 | 15.0 | 18.0 | 13.2 | 12.0 | 10 |
| P0154.120-080-B4 | M12 | 80 | 8.0 | 15.0 | 18.0 | 13.2 | 12.0 | 10 |
| P0154.160-030-B4 | M16 | 30 | 12.0 | 20.0 | 24.0 | 17.5 | 16.0 | 14 |
| P0154.160-035-B4 | M16 | 35 | 12.0 | 20.0 | 24.0 | 17.5 | 16.0 | 14 |
| P0154.160-040-B4 | M16 | 40 | 12.0 | 20.0 | 24.0 | 17.5 | 16.0 | 14 |
| P0154.160-045-B4 | M16 | 45 | 12.0 | 20.0 | 24.0 | 17.5 | 16.0 | 14 |
| P0154.160-050-B4 | M16 | 50 | 12.0 | 20.0 | 24.0 | 17.5 | 16.0 | 14 |
| P0154.160-060-B4 | M16 | 60 | 12.0 | 20.0 | 24.0 | 17.5 | 16.0 | 14 |
| P0154.160-080-B4 | M16 | 80 | 12.0 | 20.0 | 24.0 | 17.5 | 16.0 | 14 |
| P0154.160-100-B4 | M16 | 100 | 12.0 | 20.0 | 24.0 | 17.5 | 16.0 | 14 |
| P0154.200-040-B4 | M20 | 40 | 16.0 | 25.0 | 30.0 | 22.0 | 20.0 | 19 |
| P0154.200-060-B4 | M20 | 60 | 16.0 | 25.0 | 30.0 | 22.0 | 20.0 | 19 |
| P0154.200-080-B4 | M20 | 80 | 16.0 | 25.0 | 30.0 | 22.0 | 20.0 | 19 |
| P0154.200-100-B4 | M20 | 100 | 16.0 | 25.0 | 30.0 | 22.0 | 20.0 | 19 |
| P0154.200-120-B4 | M20 | 120 | 16.0 | 25.0 | 30.0 | 22.0 | 20.0 | 19 |

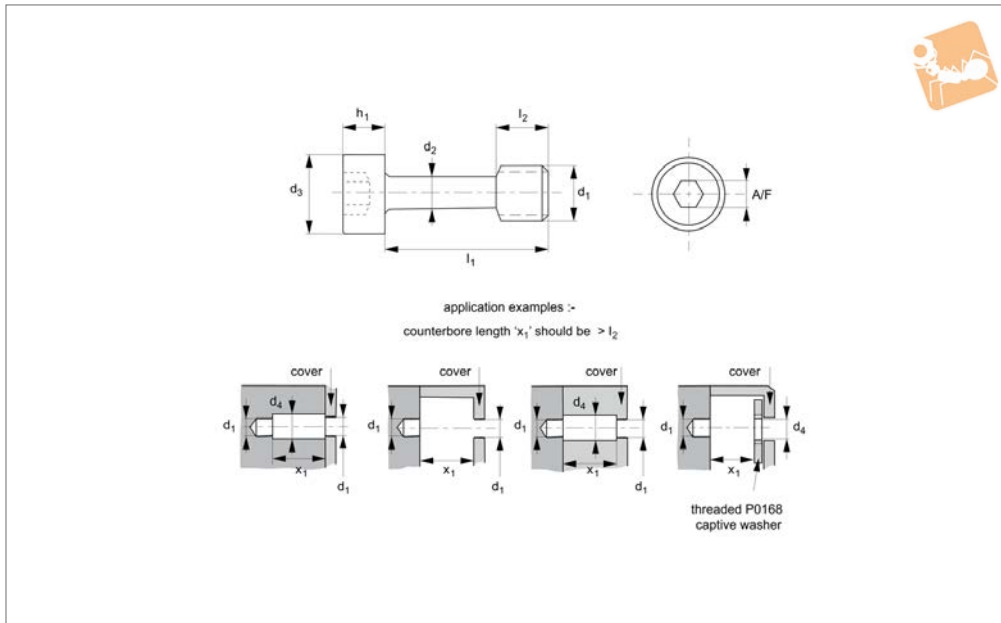


Captive Screws - Cap Head

hex drive - steel, blackened



Captive Screws



P0154.BL

MADE IN BRITAIN

CAPTIVE SCREWS

Material

Steel blackened.
Tensile strength 550 N/mm².
Also available on request in steel (anodised or zinc plated), stainless steel (AISI 316, 1.440 or AISI 303, 1.4305), brass, aluminium etc.

tive 2006/42/EC. Generally to ISO 4762. Often used with our captive washers (P0168) or retaining flanges (P0169 - for sheet metal applications). The use of our captive washers should be considered when fitted in panels with unthreaded holes.

Tips

For TX drive style, see P0156.

Important Notes

Please note that these screws have a reduced diameter shank and should not be tightened to the recommended torque for an equivalent machine screw of size d₁.

Technical Notes

Used to comply with the Machinery Direc-

| Order No. | d ₁ | l ₁ ±0.25 | d ₂ ±0.12 | l ₂ ±0.25 | d ₃ max. | d ₄ min. | h ₁ max. | A/F |
|------------------|----------------|-------------------------|-------------------------|-------------------------|------------------------|------------------------|------------------------|-----|
| P0154.025-005-BL | M 2,5 | 5 | 1.8 | 3.0 | 4.5 | 2.8 | 2.5 | 2 |
| P0154.025-008-BL | M 2,5 | 8 | 1.8 | 3.0 | 4.5 | 2.8 | 2.5 | 2 |
| P0154.025-010-BL | M 2,5 | 10 | 1.8 | 3.0 | 4.5 | 2.8 | 2.5 | 2 |
| P0154.025-012-BL | M 2,5 | 12 | 1.8 | 3.0 | 4.5 | 2.8 | 2.5 | 2 |
| P0154.030-008-BL | M 3 | 8 | 2.0 | 4.5 | 5.5 | 3.5 | 3.0 | 2.5 |
| P0154.030-010-BL | M 3 | 10 | 2.0 | 4.5 | 5.5 | 3.5 | 3.0 | 2.5 |
| P0154.030-012-BL | M 3 | 12 | 2.0 | 4.5 | 5.5 | 3.5 | 3.0 | 2.5 |
| P0154.030-016-BL | M 3 | 16 | 2.0 | 4.5 | 5.5 | 3.5 | 3.0 | 2.5 |
| P0154.030-020-BL | M 3 | 20 | 2.0 | 4.5 | 5.5 | 3.5 | 3.0 | 2.5 |
| P0154.030-025-BL | M 3 | 25 | 2.0 | 4.5 | 5.5 | 3.5 | 3.0 | 2.5 |
| P0154.030-030-BL | M 3 | 30 | 2.0 | 4.5 | 5.5 | 3.5 | 3.0 | 2.5 |
| P0154.040-010-BL | M 4 | 10 | 2.8 | 6.0 | 7.0 | 4.5 | 4.0 | 3 |
| P0154.040-012-BL | M 4 | 12 | 2.8 | 6.0 | 7.0 | 4.5 | 4.0 | 3 |
| P0154.040-016-BL | M 4 | 16 | 2.8 | 6.0 | 7.0 | 4.5 | 4.0 | 3 |
| P0154.040-020-BL | M 4 | 20 | 2.8 | 6.0 | 7.0 | 4.5 | 4.0 | 3 |
| P0154.040-025-BL | M 4 | 25 | 2.8 | 6.0 | 7.0 | 4.5 | 4.0 | 3 |
| P0154.040-030-BL | M 4 | 30 | 2.8 | 6.0 | 7.0 | 4.5 | 4.0 | 3 |
| P0154.040-035-BL | M 4 | 35 | 2.8 | 6.0 | 7.0 | 4.5 | 4.0 | 3 |
| P0154.040-040-BL | M 4 | 40 | 2.8 | 6.0 | 7.0 | 4.5 | 4.0 | 3 |
| P0154.040-050-BL | M 4 | 50 | 2.8 | 6.0 | 7.0 | 4.5 | 4.0 | 3 |
| P0154.050-012-BL | M 5 | 12 | 3.7 | 7.5 | 8.5 | 5.5 | 5.0 | 4 |
| P0154.050-016-BL | M 5 | 16 | 3.7 | 7.5 | 8.5 | 5.5 | 5.0 | 4 |
| P0154.050-020-BL | M 5 | 20 | 3.7 | 7.5 | 8.5 | 5.5 | 5.0 | 4 |
| P0154.050-025-BL | M 5 | 25 | 3.7 | 7.5 | 8.5 | 5.5 | 5.0 | 4 |
| P0154.050-030-BL | M 5 | 30 | 3.7 | 7.5 | 8.5 | 5.5 | 5.0 | 4 |
| P0154.050-035-BL | M 5 | 35 | 3.7 | 7.5 | 8.5 | 5.5 | 5.0 | 4 |
| P0154.050-040-BL | M 5 | 40 | 3.7 | 7.5 | 8.5 | 5.5 | 5.0 | 4 |
| P0154.050-050-BL | M 5 | 50 | 3.7 | 7.5 | 8.5 | 5.5 | 5.0 | 4 |



CAPTIVE SCREWS

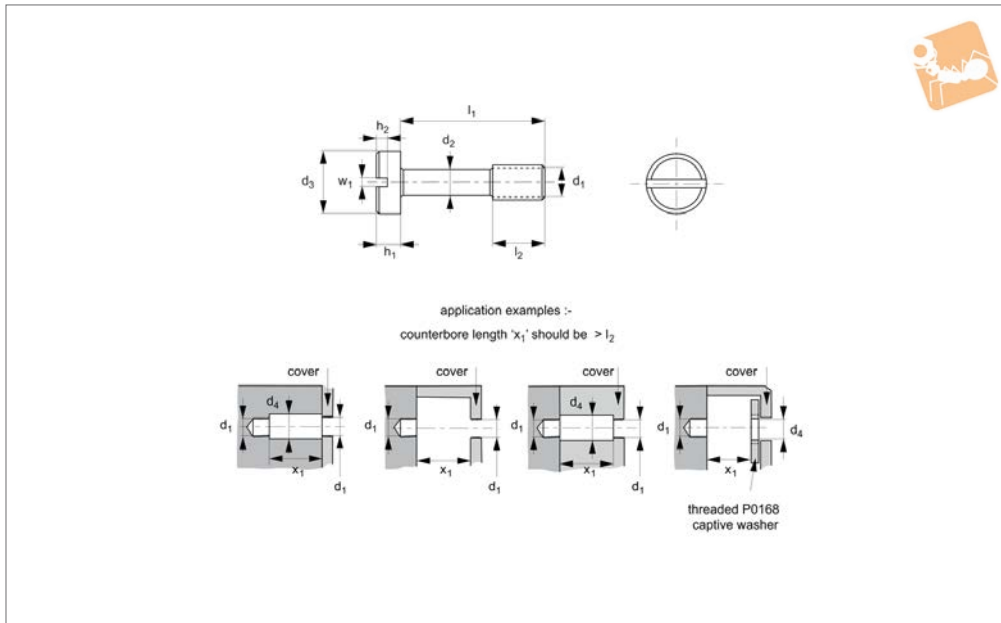
| Order No. | d ₁ | l ₁ ±0.25 | d ₂ ±0.12 | l ₂ ±0.25 | d ₃ max. | d ₄ min. | h ₁ max. | A/F |
|------------------|----------------|-------------------------|-------------------------|-------------------------|------------------------|------------------------|------------------------|-----|
| P0154.060-012-BL | M 6 | 12 | 4.2 | 7.5 | 10.0 | 6.5 | 6.0 | 5 |
| P0154.060-016-BL | M 6 | 16 | 4.2 | 7.5 | 10.0 | 6.5 | 6.0 | 5 |
| P0154.060-020-BL | M 6 | 20 | 4.2 | 7.5 | 10.0 | 6.5 | 6.0 | 5 |
| P0154.060-025-BL | M 6 | 25 | 4.2 | 7.5 | 10.0 | 6.5 | 6.0 | 5 |
| P0154.060-030-BL | M 6 | 30 | 4.2 | 7.5 | 10.0 | 6.5 | 6.0 | 5 |
| P0154.060-035-BL | M 6 | 35 | 4.2 | 7.5 | 10.0 | 6.5 | 6.0 | 5 |
| P0154.060-040-BL | M 6 | 40 | 4.2 | 7.5 | 10.0 | 6.5 | 6.0 | 5 |
| P0154.060-050-BL | M 6 | 50 | 4.2 | 7.5 | 10.0 | 6.5 | 6.0 | 5 |
| P0154.060-060-BL | M 6 | 60 | 4.2 | 7.5 | 10.0 | 6.5 | 6.0 | 5 |
| P0154.060-080-BL | M 6 | 80 | 4.2 | 7.5 | 10.0 | 6.5 | 6.0 | 5 |
| P0154.080-016-BL | M 8 | 16 | 6.0 | 10.0 | 13.0 | 8.5 | 8.0 | 6 |
| P0154.080-020-BL | M 8 | 20 | 6.0 | 10.0 | 13.0 | 8.5 | 8.0 | 6 |
| P0154.080-025-BL | M 8 | 25 | 6.0 | 10.0 | 13.0 | 8.5 | 8.0 | 6 |
| P0154.080-030-BL | M 8 | 30 | 6.0 | 10.0 | 13.0 | 8.5 | 8.0 | 6 |
| P0154.080-035-BL | M 8 | 35 | 6.0 | 10.0 | 13.0 | 8.5 | 8.0 | 6 |
| P0154.080-040-BL | M 8 | 40 | 6.0 | 10.0 | 13.0 | 8.5 | 8.0 | 6 |
| P0154.080-045-BL | M 8 | 45 | 6.0 | 10.0 | 13.0 | 8.5 | 8.0 | 6 |
| P0154.080-050-BL | M 8 | 50 | 6.0 | 10.0 | 13.0 | 8.5 | 8.0 | 6 |
| P0154.080-060-BL | M 8 | 60 | 6.0 | 10.0 | 13.0 | 8.5 | 8.0 | 6 |
| P0154.080-080-BL | M 8 | 80 | 6.0 | 10.0 | 13.0 | 8.5 | 8.0 | 6 |
| P0154.100-020-BL | M10 | 20 | 7.5 | 12.5 | 16.0 | 10.6 | 10.0 | 8 |
| P0154.100-025-BL | M10 | 25 | 7.5 | 12.5 | 16.0 | 10.6 | 10.0 | 8 |
| P0154.100-030-BL | M10 | 30 | 7.5 | 12.5 | 16.0 | 10.6 | 10.0 | 8 |
| P0154.100-035-BL | M10 | 35 | 7.5 | 12.5 | 16.0 | 10.6 | 10.0 | 8 |
| P0154.100-040-BL | M10 | 40 | 7.5 | 12.5 | 16.0 | 10.6 | 10.0 | 8 |
| P0154.100-045-BL | M10 | 45 | 7.5 | 12.5 | 16.0 | 10.6 | 10.0 | 8 |
| P0154.100-050-BL | M10 | 50 | 7.5 | 12.5 | 16.0 | 10.6 | 10.0 | 8 |
| P0154.100-060-BL | M10 | 60 | 7.5 | 12.5 | 16.0 | 10.6 | 10.0 | 8 |
| P0154.100-080-BL | M10 | 80 | 7.5 | 12.5 | 16.0 | 10.6 | 10.0 | 8 |
| P0154.120-025-BL | M12 | 25 | 8.0 | 15.0 | 18.0 | 13.2 | 12.0 | 10 |
| P0154.120-030-BL | M12 | 30 | 8.0 | 15.0 | 18.0 | 13.2 | 12.0 | 10 |
| P0154.120-035-BL | M12 | 35 | 8.0 | 15.0 | 18.0 | 13.2 | 12.0 | 10 |
| P0154.120-040-BL | M12 | 40 | 8.0 | 15.0 | 18.0 | 13.2 | 12.0 | 10 |
| P0154.120-045-BL | M12 | 45 | 8.0 | 15.0 | 18.0 | 13.2 | 12.0 | 10 |
| P0154.120-050-BL | M12 | 50 | 8.0 | 15.0 | 18.0 | 13.2 | 12.0 | 10 |
| P0154.120-060-BL | M12 | 60 | 8.0 | 15.0 | 18.0 | 13.2 | 12.0 | 10 |
| P0154.120-080-BL | M12 | 80 | 8.0 | 15.0 | 18.0 | 13.2 | 12.0 | 10 |
| P0154.160-030-BL | M16 | 30 | 12.0 | 20.0 | 24.0 | 17.5 | 16.0 | 14 |
| P0154.160-035-BL | M16 | 35 | 12.0 | 20.0 | 24.0 | 17.5 | 16.0 | 14 |
| P0154.160-040-BL | M16 | 40 | 12.0 | 20.0 | 24.0 | 17.5 | 16.0 | 14 |
| P0154.160-045-BL | M16 | 45 | 12.0 | 20.0 | 24.0 | 17.5 | 16.0 | 14 |
| P0154.160-050-BL | M16 | 50 | 12.0 | 20.0 | 24.0 | 17.5 | 16.0 | 14 |
| P0154.160-060-BL | M16 | 60 | 12.0 | 20.0 | 24.0 | 17.5 | 16.0 | 14 |
| P0154.160-080-BL | M16 | 80 | 12.0 | 20.0 | 24.0 | 17.5 | 16.0 | 14 |
| P0154.160-100-BL | M16 | 100 | 12.0 | 20.0 | 24.0 | 17.5 | 16.0 | 14 |
| P0154.200-040-BL | M20 | 40 | 16.0 | 25.0 | 30.0 | 22.0 | 20.0 | 19 |
| P0154.200-060-BL | M20 | 60 | 16.0 | 25.0 | 30.0 | 22.0 | 20.0 | 19 |
| P0154.200-080-BL | M20 | 80 | 16.0 | 25.0 | 30.0 | 22.0 | 20.0 | 19 |
| P0154.200-100-BL | M20 | 100 | 16.0 | 25.0 | 30.0 | 22.0 | 20.0 | 19 |
| P0154.200-120-BL | M20 | 120 | 16.0 | 25.0 | 30.0 | 22.0 | 20.0 | 19 |



Captive Screws - Cheese Head slot drive - 303 stainless, blackened



Captive Screws



P0155.B2

MADE IN BRITAIN

CAPTIVE SCREWS

Material

Stainless steel (AISI 303, 1.4305), black oxide coating. Tensile strength 550 N/mm². Proof stress min. 190 N/mm², austenitic stainless steel.
Also available on request in steel (anodised, black oxide or zinc plated) stainless steel (AISI 316, 1.440), brass, aluminium etc.

Technical Notes

Used to comply with the Machinery Direc-

tive 2006/42/EC. Generally to ISO 1207. Often used with our captive washers (P0168) or retaining flanges (P0169 - for sheet metal applications). The use of our captive washers should be considered when fitted in panels with unthreaded holes.

Tips

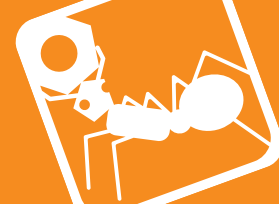
Other head drive styles - add suffix:
-TX for Torx (hexalobular).
-PZ for Pozidrive.

-SE for snake-eye security.

Important Notes

Please note that these screws have a reduced diameter shank and should not be tightened to the recommended torque for an equivalent machine screw of size d₁.

| Order No. | d ₁ | l ₁ ±0.25 | d ₂ ±0.12 | l ₂ ±0.25 | d ₃ | d ₄ min. | h ₁ | h ₂ | w ₁ |
|------------------|----------------|-------------------------|-------------------------|-------------------------|----------------|------------------------|----------------|----------------|----------------|
| P0155.020-010-B2 | M 2 | 10 | 1.2 | 3.0 | 3.8 | 2.5 | 1.3 | 0.85 | 0.5 |
| P0155.020-012-B2 | M 2 | 12 | 1.2 | 3.0 | 3.8 | 2.5 | 1.3 | 0.85 | 0.5 |
| P0155.020-016-B2 | M 2 | 16 | 1.2 | 3.0 | 3.8 | 2.5 | 1.3 | 0.85 | 0.5 |
| P0155.020-020-B2 | M 2 | 20 | 1.2 | 3.0 | 3.8 | 2.5 | 1.3 | 0.85 | 0.5 |
| P0155.025-010-B2 | M 2,5 | 10 | 1.7 | 3.7 | 4.5 | 2.8 | 1.6 | 1.00 | 0.6 |
| P0155.025-012-B2 | M 2,5 | 12 | 1.7 | 3.7 | 4.5 | 2.8 | 1.6 | 1.00 | 0.6 |
| P0155.025-016-B2 | M 2,5 | 16 | 1.7 | 3.7 | 4.5 | 2.8 | 1.6 | 1.00 | 0.6 |
| P0155.025-020-B2 | M 2,5 | 20 | 1.7 | 3.7 | 4.5 | 2.8 | 1.6 | 1.00 | 0.6 |
| P0155.025-025-B2 | M 2,5 | 25 | 1.7 | 3.7 | 4.5 | 2.8 | 1.6 | 1.00 | 0.6 |
| P0155.025-030-B2 | M 2,5 | 30 | 1.7 | 3.7 | 4.5 | 2.8 | 1.6 | 1.00 | 0.6 |
| P0155.030-006-B2 | M 3 | 6 | 2.0 | 4.5 | 5.5 | 3.5 | 2.0 | 1.30 | 0.8 |
| P0155.030-008-B2 | M 3 | 8 | 2.0 | 4.5 | 5.5 | 3.5 | 2.0 | 1.30 | 0.8 |
| P0155.030-010-B2 | M 3 | 10 | 2.0 | 4.5 | 5.5 | 3.5 | 2.0 | 1.30 | 0.8 |
| P0155.030-011-B2 | M 3 | 11 | 2.0 | 4.5 | 5.5 | 3.5 | 2.0 | 1.30 | 0.8 |
| P0155.030-013-B2 | M 3 | 13 | 2.0 | 4.5 | 5.5 | 3.5 | 2.0 | 1.30 | 0.8 |
| P0155.030-016-B2 | M 3 | 16 | 2.0 | 4.5 | 5.5 | 3.5 | 2.0 | 1.30 | 0.8 |
| P0155.030-018-B2 | M 3 | 18 | 2.0 | 4.5 | 5.5 | 3.5 | 2.0 | 1.30 | 0.8 |
| P0155.030-020-B2 | M 3 | 20 | 2.0 | 4.5 | 5.5 | 3.5 | 2.0 | 1.30 | 0.8 |
| P0155.030-025-B2 | M 3 | 25 | 2.0 | 4.5 | 5.5 | 3.5 | 2.0 | 1.30 | 0.8 |
| P0155.030-030-B2 | M 3 | 30 | 2.0 | 4.5 | 5.5 | 3.5 | 2.0 | 1.30 | 0.8 |
| P0155.030-040-B2 | M 3 | 40 | 2.0 | 4.5 | 5.5 | 3.5 | 2.0 | 1.30 | 0.8 |
| P0155.035-010-B2 | M3,5 | 10 | 2.3 | 5.2 | 6.0 | 3.8 | 2.4 | 1.4 | 1.0 |
| P0155.035-016-B2 | M3,5 | 16 | 2.3 | 5.2 | 6.0 | 3.8 | 2.4 | 1.4 | 1.0 |
| P0155.035-020-B2 | M3,5 | 20 | 2.3 | 5.2 | 6.0 | 3.8 | 2.4 | 1.4 | 1.0 |
| P0155.035-025-B2 | M3,5 | 25 | 2.3 | 5.2 | 6.0 | 3.8 | 2.4 | 1.4 | 1.0 |



CAPTIVE SCREWS

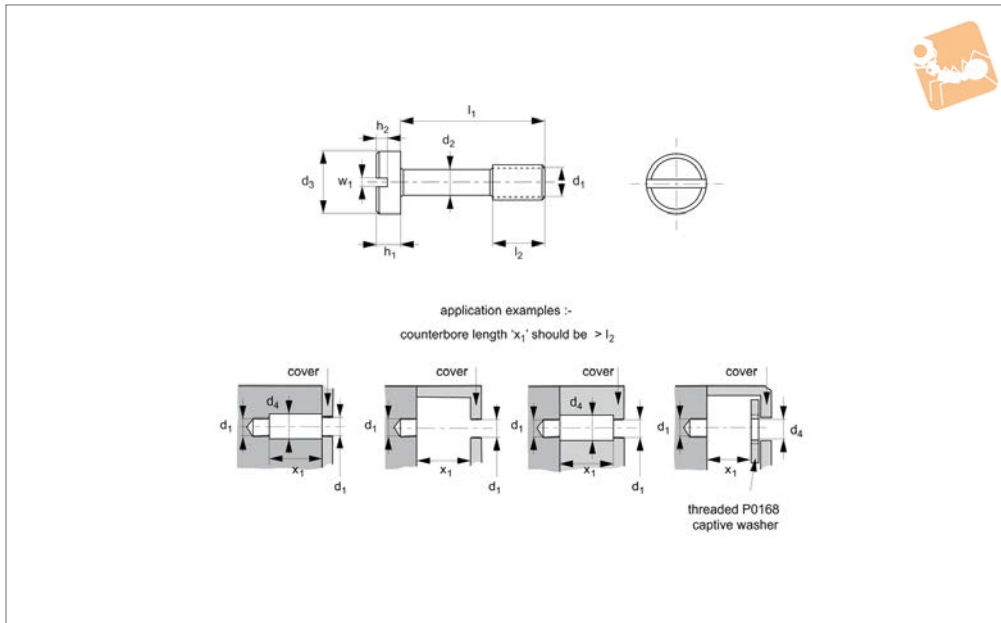
| Order No. | d ₁ | l ₁ ±0.25 | d ₂ ±0.12 | l ₂ ±0.25 | d ₃ | d ₄ min. | h ₁ | h ₂ | w ₁ |
|------------------|----------------|-------------------------|-------------------------|-------------------------|----------------|------------------------|----------------|----------------|----------------|
| P0155.035-030-B2 | M3,5 | 30 | 2.3 | 5.2 | 6.0 | 3.8 | 2.4 | 1.4 | 1.0 |
| P0155.035-040-B2 | M3,5 | 40 | 2.3 | 5.2 | 6.0 | 3.8 | 2.4 | 1.4 | 1.0 |
| P0155.040-010-B2 | M 4 | 10 | 2.8 | 6.0 | 7.0 | 4.5 | 2.6 | 1.6 | 1.2 |
| P0155.040-012-B2 | M 4 | 12 | 2.8 | 6.0 | 7.0 | 4.5 | 2.6 | 1.6 | 1.2 |
| P0155.040-016-B2 | M 4 | 16 | 2.8 | 6.0 | 7.0 | 4.5 | 2.6 | 1.6 | 1.2 |
| P0155.040-018-B2 | M 4 | 18 | 2.8 | 6.0 | 7.0 | 4.5 | 2.6 | 1.6 | 1.2 |
| P0155.040-019-B2 | M 4 | 19 | 2.8 | 6.0 | 7.0 | 4.5 | 2.6 | 1.6 | 1.2 |
| P0155.040-020-B2 | M 4 | 20 | 2.8 | 6.0 | 7.0 | 4.5 | 2.6 | 1.6 | 1.2 |
| P0155.040-025-B2 | M 4 | 25 | 2.8 | 6.0 | 7.0 | 4.5 | 2.6 | 1.6 | 1.2 |
| P0155.040-030-B2 | M 4 | 30 | 2.8 | 6.0 | 7.0 | 4.5 | 2.6 | 1.6 | 1.2 |
| P0155.040-040-B2 | M 4 | 40 | 2.8 | 6.0 | 7.0 | 4.5 | 2.6 | 1.6 | 1.2 |
| P0155.040-050-B2 | M 4 | 50 | 2.8 | 6.0 | 7.0 | 4.5 | 2.6 | 1.6 | 1.2 |
| P0155.040-060-B2 | M 4 | 60 | 2.8 | 6.0 | 7.0 | 4.5 | 2.6 | 1.6 | 1.2 |
| P0155.050-010-B2 | M 5 | 10 | 3.7 | 7.5 | 8.5 | 5.5 | 3.3 | 2.0 | 1.2 |
| P0155.050-012-B2 | M 5 | 12 | 3.7 | 7.5 | 8.5 | 5.5 | 3.3 | 2.0 | 1.2 |
| P0155.050-016-B2 | M 5 | 16 | 3.7 | 7.5 | 8.5 | 5.5 | 3.3 | 2.0 | 1.2 |
| P0155.050-018-B2 | M 5 | 18 | 3.7 | 7.5 | 8.5 | 5.5 | 3.3 | 2.0 | 1.2 |
| P0155.050-020-B2 | M 5 | 20 | 3.7 | 7.5 | 8.5 | 5.5 | 3.3 | 2.0 | 1.2 |
| P0155.050-022-B2 | M 5 | 22 | 3.7 | 7.5 | 8.5 | 5.5 | 3.3 | 2.0 | 1.2 |
| P0155.050-025-B2 | M 5 | 25 | 3.7 | 7.5 | 8.5 | 5.5 | 3.3 | 2.0 | 1.2 |
| P0155.050-030-B2 | M 5 | 30 | 3.7 | 7.5 | 8.5 | 5.5 | 3.3 | 2.0 | 1.2 |
| P0155.050-040-B2 | M 5 | 40 | 3.7 | 7.5 | 8.5 | 5.5 | 3.3 | 2.0 | 1.2 |
| P0155.050-050-B2 | M 5 | 50 | 3.7 | 7.5 | 8.5 | 5.5 | 3.3 | 2.0 | 1.2 |
| P0155.050-060-B2 | M 5 | 60 | 3.7 | 7.5 | 8.5 | 5.5 | 3.3 | 2.0 | 1.2 |
| P0155.050-080-B2 | M 5 | 80 | 3.7 | 7.5 | 8.5 | 5.5 | 3.3 | 2.0 | 1.2 |
| P0155.060-010-B2 | M 6 | 10 | 4.2 | 7.5 | 10.0 | 6.5 | 3.9 | 2.3 | 1.6 |
| P0155.060-012-B2 | M 6 | 12 | 4.2 | 7.5 | 10.0 | 6.5 | 3.9 | 2.3 | 1.6 |
| P0155.060-016-B2 | M 6 | 16 | 4.2 | 7.5 | 10.0 | 6.5 | 3.9 | 2.3 | 1.6 |
| P0155.060-020-B2 | M 6 | 20 | 4.2 | 7.5 | 10.0 | 6.5 | 3.9 | 2.3 | 1.6 |
| P0155.060-025-B2 | M 6 | 25 | 4.2 | 7.5 | 10.0 | 6.5 | 3.9 | 2.3 | 1.6 |
| P0155.060-030-B2 | M 6 | 30 | 4.2 | 7.5 | 10.0 | 6.5 | 3.9 | 2.3 | 1.6 |
| P0155.060-040-B2 | M 6 | 40 | 4.2 | 7.5 | 10.0 | 6.5 | 3.9 | 2.3 | 1.6 |
| P0155.060-050-B2 | M 6 | 50 | 4.2 | 7.5 | 10.0 | 6.5 | 3.9 | 2.3 | 1.6 |
| P0155.060-060-B2 | M 6 | 60 | 4.2 | 7.5 | 10.0 | 6.5 | 3.9 | 2.3 | 1.6 |
| P0155.060-080-B2 | M 6 | 80 | 4.2 | 7.5 | 10.0 | 6.5 | 3.9 | 2.3 | 1.6 |



Captive Screws - Cheese Head slot drive - 316 stainless, blackened



Captive Screws



MADE IN BRITAIN

P0155.B4

CAPTIVE SCREWS

Material

Stainless steel (AISI 316, 1.440), black oxide coating. Tensile strength 480 N/mm². Proof stress min. 200 N/mm², austenitic stainless steel.

Also available on request in steel (anodised, black oxide or zinc plated) stainless steel (AISI 303, 1.4305), brass, aluminium etc.

Technical Notes

Used to comply with the Machinery Direc-

tive 2006/42/EC. Generally to ISO 1207. Often used with our captive washers (P0168) or retaining flanges (P0169 - for sheet metal applications). The use of our captive washers should be considered when fitted in panels with unthreaded holes.

Tips

Other head drive styles - add suffix:
-TX for Torx (hexalobular).
-PZ for Pozidrive.

-SE for snake-eye security.

Important Notes

Please note that these screws have a reduced diameter shank and should not be tightened to the recommended torque for an equivalent machine screw of size d₁.

| Order No. | d ₁ | l ₁ ±0.25 | d ₂ ±0.12 | l ₂ ±0.25 | d ₃ | d ₄ min. | h ₁ | h ₂ | w ₁ |
|------------------|----------------|-------------------------|-------------------------|-------------------------|----------------|------------------------|----------------|----------------|----------------|
| P0155.020-010-B4 | M 2 | 10 | 1.2 | 3.0 | 3.8 | 2.5 | 1.3 | 0.85 | 0.5 |
| P0155.020-012-B4 | M 2 | 12 | 1.2 | 3.0 | 3.8 | 2.5 | 1.3 | 0.85 | 0.5 |
| P0155.020-016-B4 | M 2 | 16 | 1.2 | 3.0 | 3.8 | 2.5 | 1.3 | 0.85 | 0.5 |
| P0155.020-020-B4 | M 2 | 20 | 1.2 | 3.0 | 3.8 | 2.5 | 1.3 | 0.85 | 0.5 |
| P0155.025-010-B4 | M 2,5 | 10 | 1.7 | 3.7 | 4.5 | 2.8 | 1.6 | 1.00 | 0.6 |
| P0155.025-012-B4 | M 2,5 | 12 | 1.7 | 3.7 | 4.5 | 2.8 | 1.6 | 1.00 | 0.6 |
| P0155.025-016-B4 | M 2,5 | 16 | 1.7 | 3.7 | 4.5 | 2.8 | 1.6 | 1.00 | 0.6 |
| P0155.025-020-B4 | M 2,5 | 20 | 1.7 | 3.7 | 4.5 | 2.8 | 1.6 | 1.00 | 0.6 |
| P0155.025-025-B4 | M 2,5 | 25 | 1.7 | 3.7 | 4.5 | 2.8 | 1.6 | 1.00 | 0.6 |
| P0155.025-030-B4 | M 2,5 | 30 | 1.7 | 3.7 | 4.5 | 2.8 | 1.6 | 1.00 | 0.6 |
| P0155.030-006-B4 | M 3 | 6 | 2.0 | 4.5 | 5.5 | 3.5 | 2.0 | 1.30 | 0.8 |
| P0155.030-008-B4 | M 3 | 8 | 2.0 | 4.5 | 5.5 | 3.5 | 2.0 | 1.30 | 0.8 |
| P0155.030-010-B4 | M 3 | 10 | 2.0 | 4.5 | 5.5 | 3.5 | 2.0 | 1.30 | 0.8 |
| P0155.030-011-B4 | M 3 | 11 | 2.0 | 4.5 | 5.5 | 3.5 | 2.0 | 1.30 | 0.8 |
| P0155.030-013-B4 | M 3 | 13 | 2.0 | 4.5 | 5.5 | 3.5 | 2.0 | 1.30 | 0.8 |
| P0155.030-016-B4 | M 3 | 16 | 2.0 | 4.5 | 5.5 | 3.5 | 2.0 | 1.30 | 0.8 |
| P0155.030-018-B4 | M 3 | 18 | 2.0 | 4.5 | 5.5 | 3.5 | 2.0 | 1.30 | 0.8 |
| P0155.030-020-B4 | M 3 | 20 | 2.0 | 4.5 | 5.5 | 3.5 | 2.0 | 1.30 | 0.8 |
| P0155.030-025-B4 | M 3 | 25 | 2.0 | 4.5 | 5.5 | 3.5 | 2.0 | 1.30 | 0.8 |
| P0155.030-030-B4 | M 3 | 30 | 2.0 | 4.5 | 5.5 | 3.5 | 2.0 | 1.30 | 0.8 |
| P0155.030-040-B4 | M 3 | 40 | 2.0 | 4.5 | 5.5 | 3.5 | 2.0 | 1.30 | 0.8 |
| P0155.035-010-B4 | M3,5 | 10 | 2.3 | 5.2 | 6.0 | 3.8 | 2.4 | 1.4 | 1.0 |
| P0155.035-016-B4 | M3,5 | 16 | 2.3 | 5.2 | 6.0 | 3.8 | 2.4 | 1.4 | 1.0 |
| P0155.035-020-B4 | M3,5 | 20 | 2.3 | 5.2 | 6.0 | 3.8 | 2.4 | 1.4 | 1.0 |
| P0155.035-025-B4 | M3,5 | 25 | 2.3 | 5.2 | 6.0 | 3.8 | 2.4 | 1.4 | 1.0 |



CAPTIVE SCREWS

| Order No. | d ₁ | l ₁ ±0.25 | d ₂ ±0.12 | l ₂ ±0.25 | d ₃ | d ₄ min. | h ₁ | h ₂ | w ₁ |
|------------------|----------------|-------------------------|-------------------------|-------------------------|----------------|------------------------|----------------|----------------|----------------|
| P0155.035-030-B4 | M3,5 | 30 | 2.3 | 5.2 | 6.0 | 3.8 | 2.4 | 1.4 | 1.0 |
| P0155.035-040-B4 | M3,5 | 40 | 2.3 | 5.2 | 6.0 | 3.8 | 2.4 | 1.4 | 1.0 |
| P0155.040-010-B4 | M 4 | 10 | 2.8 | 6.0 | 7.0 | 4.5 | 2.6 | 1.6 | 1.2 |
| P0155.040-012-B4 | M 4 | 12 | 2.8 | 6.0 | 7.0 | 4.5 | 2.6 | 1.6 | 1.2 |
| P0155.040-016-B4 | M 4 | 16 | 2.8 | 6.0 | 7.0 | 4.5 | 2.6 | 1.6 | 1.2 |
| P0155.040-018-B4 | M 4 | 18 | 2.8 | 6.0 | 7.0 | 4.5 | 2.6 | 1.6 | 1.2 |
| P0155.040-019-B4 | M 4 | 19 | 2.8 | 6.0 | 7.0 | 4.5 | 2.6 | 1.6 | 1.2 |
| P0155.040-020-B4 | M 4 | 20 | 2.8 | 6.0 | 7.0 | 4.5 | 2.6 | 1.6 | 1.2 |
| P0155.040-025-B4 | M 4 | 25 | 2.8 | 6.0 | 7.0 | 4.5 | 2.6 | 1.6 | 1.2 |
| P0155.040-030-B4 | M 4 | 30 | 2.8 | 6.0 | 7.0 | 4.5 | 2.6 | 1.6 | 1.2 |
| P0155.040-040-B4 | M 4 | 40 | 2.8 | 6.0 | 7.0 | 4.5 | 2.6 | 1.6 | 1.2 |
| P0155.040-050-B4 | M 4 | 50 | 2.8 | 6.0 | 7.0 | 4.5 | 2.6 | 1.6 | 1.2 |
| P0155.040-060-B4 | M 4 | 60 | 2.8 | 6.0 | 7.0 | 4.5 | 2.6 | 1.6 | 1.2 |
| P0155.050-010-B4 | M 5 | 10 | 3.7 | 7.5 | 8.5 | 5.5 | 3.3 | 2.0 | 1.2 |
| P0155.050-012-B4 | M 5 | 12 | 3.7 | 7.5 | 8.5 | 5.5 | 3.3 | 2.0 | 1.2 |
| P0155.050-016-B4 | M 5 | 16 | 3.7 | 7.5 | 8.5 | 5.5 | 3.3 | 2.0 | 1.2 |
| P0155.050-018-B4 | M 5 | 18 | 3.7 | 7.5 | 8.5 | 5.5 | 3.3 | 2.0 | 1.2 |
| P0155.050-020-B4 | M 5 | 20 | 3.7 | 7.5 | 8.5 | 5.5 | 3.3 | 2.0 | 1.2 |
| P0155.050-022-B4 | M 5 | 22 | 3.7 | 7.5 | 8.5 | 5.5 | 3.3 | 2.0 | 1.2 |
| P0155.050-025-B4 | M 5 | 25 | 3.7 | 7.5 | 8.5 | 5.5 | 3.3 | 2.0 | 1.2 |
| P0155.050-030-B4 | M 5 | 30 | 3.7 | 7.5 | 8.5 | 5.5 | 3.3 | 2.0 | 1.2 |
| P0155.050-040-B4 | M 5 | 40 | 3.7 | 7.5 | 8.5 | 5.5 | 3.3 | 2.0 | 1.2 |
| P0155.050-050-B4 | M 5 | 50 | 3.7 | 7.5 | 8.5 | 5.5 | 3.3 | 2.0 | 1.2 |
| P0155.050-060-B4 | M 5 | 60 | 3.7 | 7.5 | 8.5 | 5.5 | 3.3 | 2.0 | 1.2 |
| P0155.050-080-B4 | M 5 | 80 | 3.7 | 7.5 | 8.5 | 5.5 | 3.3 | 2.0 | 1.2 |
| P0155.060-010-B4 | M 6 | 10 | 4.2 | 7.5 | 10.0 | 6.5 | 3.9 | 2.3 | 1.6 |
| P0155.060-012-B4 | M 6 | 12 | 4.2 | 7.5 | 10.0 | 6.5 | 3.9 | 2.3 | 1.6 |
| P0155.060-016-B4 | M 6 | 16 | 4.2 | 7.5 | 10.0 | 6.5 | 3.9 | 2.3 | 1.6 |
| P0155.060-020-B4 | M 6 | 20 | 4.2 | 7.5 | 10.0 | 6.5 | 3.9 | 2.3 | 1.6 |
| P0155.060-025-B4 | M 6 | 25 | 4.2 | 7.5 | 10.0 | 6.5 | 3.9 | 2.3 | 1.6 |
| P0155.060-030-B4 | M 6 | 30 | 4.2 | 7.5 | 10.0 | 6.5 | 3.9 | 2.3 | 1.6 |
| P0155.060-040-B4 | M 6 | 40 | 4.2 | 7.5 | 10.0 | 6.5 | 3.9 | 2.3 | 1.6 |
| P0155.060-050-B4 | M 6 | 50 | 4.2 | 7.5 | 10.0 | 6.5 | 3.9 | 2.3 | 1.6 |
| P0155.060-060-B4 | M 6 | 60 | 4.2 | 7.5 | 10.0 | 6.5 | 3.9 | 2.3 | 1.6 |
| P0155.060-080-B4 | M 6 | 80 | 4.2 | 7.5 | 10.0 | 6.5 | 3.9 | 2.3 | 1.6 |

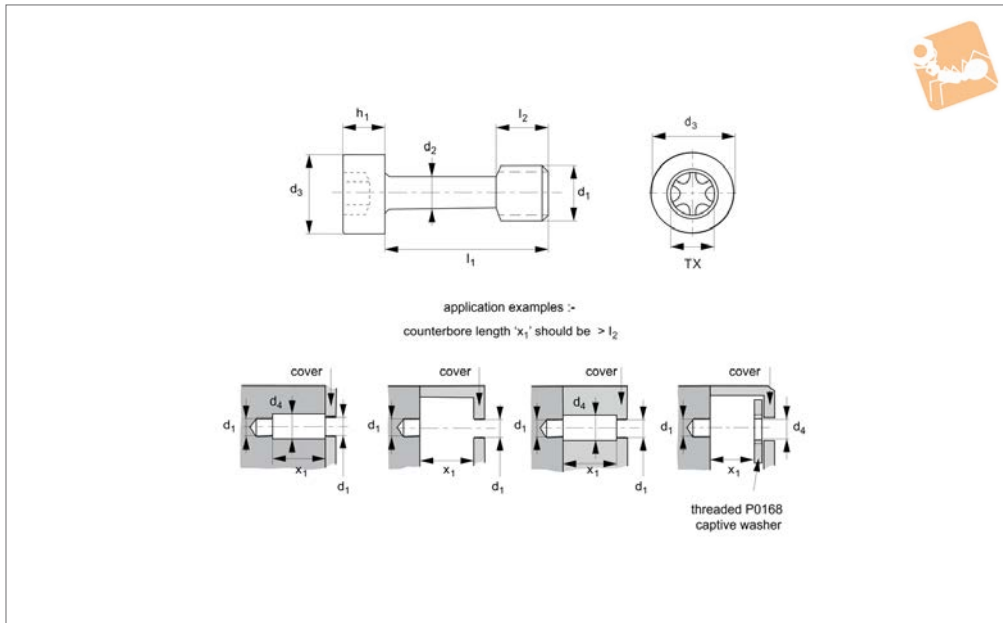


Captive Screws - Cap Head

TX drive - 303 stainless, blackened



Captive Screws



P0156.B2

MADE IN BRITAIN

CAPTIVE SCREWS

Material

Stainless steel (AISI 303, 1.4305), black oxide coating. Tensile strength 550 N/mm². Proof stress min. 190 N/mm², austenitic stainless steel.
Also available on request in steel (anodised, black oxide or zinc plated) stainless steel (AISI 316, 1.440), brass, aluminium etc.

Technical Notes

Used to comply with the Machinery Directive 2006/42/EC. Generally to ISO 4762. Often used with our captive washers (P0168) or retaining flanges (P0169 - for sheet metal applications). The use of our captive washers should be considered when fitted in panels with unthreaded holes.

*M 8 sizes have a reduced TX size.

Important Notes

Please note that these screws have a reduced diameter shank and should not be tightened to the recommended torque for an equivalent machine screw of size d_1 .

| Order No. | d_1 | l_1 ± 0.25 | d_2 ± 0.12 | l_2 ± 0.25 | d_3 max. | d_4 min. | h_1 max. | TX size |
|------------------|-------|---------------------|---------------------|---------------------|---------------|---------------|---------------|---------|
| P0156.030-008-B2 | M 3 | 8 | 2.0 | 4.5 | 5.5 | 3.5 | 3 | TX-10 |
| P0156.030-010-B2 | M 3 | 10 | 2.0 | 4.5 | 5.5 | 3.5 | 3 | TX-10 |
| P0156.030-016-B2 | M 3 | 16 | 2.0 | 4.5 | 5.5 | 3.5 | 3 | TX-10 |
| P0156.030-020-B2 | M 3 | 20 | 2.0 | 4.5 | 5.5 | 3.5 | 3 | TX-10 |
| P0156.030-025-B2 | M 3 | 25 | 2.0 | 4.5 | 5.5 | 3.5 | 3 | TX-10 |
| P0156.030-030-B2 | M 3 | 30 | 2.0 | 4.5 | 5.5 | 3.5 | 3 | TX-10 |
| P0156.040-008-B2 | M 4 | 8 | 2.8 | 6.0 | 7.0 | 4.5 | 4 | TX-20 |
| P0156.040-010-B2 | M 4 | 10 | 2.8 | 6.0 | 7.0 | 4.5 | 4 | TX-20 |
| P0156.040-012-B2 | M 4 | 12 | 2.8 | 6.0 | 7.0 | 4.5 | 4 | TX-20 |
| P0156.040-016-B2 | M 4 | 16 | 2.8 | 6.0 | 7.0 | 4.5 | 4 | TX-20 |
| P0156.040-020-B2 | M 4 | 20 | 2.8 | 6.0 | 7.0 | 4.5 | 4 | TX-20 |
| P0156.040-025-B2 | M 4 | 25 | 2.8 | 6.0 | 7.0 | 4.5 | 4 | TX-20 |
| P0156.040-030-B2 | M 4 | 30 | 2.8 | 6.0 | 7.0 | 4.5 | 4 | TX-20 |
| P0156.040-040-B2 | M 4 | 40 | 2.8 | 6.0 | 7.0 | 4.5 | 4 | TX-20 |
| P0156.040-050-B2 | M 4 | 50 | 2.8 | 6.0 | 7.0 | 4.5 | 4 | TX-20 |
| P0156.050-010-B2 | M 5 | 10 | 3.7 | 7.5 | 8.5 | 5.5 | 5 | TX-25 |
| P0156.050-012-B2 | M 5 | 12 | 3.7 | 7.5 | 8.5 | 5.5 | 5 | TX-25 |
| P0156.050-016-B2 | M 5 | 16 | 3.7 | 7.5 | 8.5 | 5.5 | 5 | TX-25 |
| P0156.050-020-B2 | M 5 | 20 | 3.7 | 7.5 | 8.5 | 5.5 | 5 | TX-25 |
| P0156.050-025-B2 | M 5 | 25 | 3.7 | 7.5 | 8.5 | 5.5 | 5 | TX-25 |
| P0156.050-030-B2 | M 5 | 30 | 3.7 | 7.5 | 8.5 | 5.5 | 5 | TX-25 |
| P0156.050-040-B2 | M 5 | 40 | 3.7 | 7.5 | 8.5 | 5.5 | 5 | TX-25 |
| P0156.050-050-B2 | M 5 | 50 | 3.7 | 7.5 | 8.5 | 5.5 | 5 | TX-25 |
| P0156.060-010-B2 | M 6 | 10 | 4.2 | 7.5 | 10.0 | 6.5 | 6 | TX-30 |
| P0156.060-012-B2 | M 6 | 12 | 4.2 | 7.5 | 10.0 | 6.5 | 6 | TX-30 |
| P0156.060-016-B2 | M 6 | 16 | 4.2 | 7.5 | 10.0 | 6.5 | 6 | TX-30 |
| P0156.060-020-B2 | M 6 | 20 | 4.2 | 7.5 | 10.0 | 6.5 | 6 | TX-30 |
| P0156.060-025-B2 | M 6 | 25 | 4.2 | 7.5 | 10.0 | 6.5 | 6 | TX-30 |



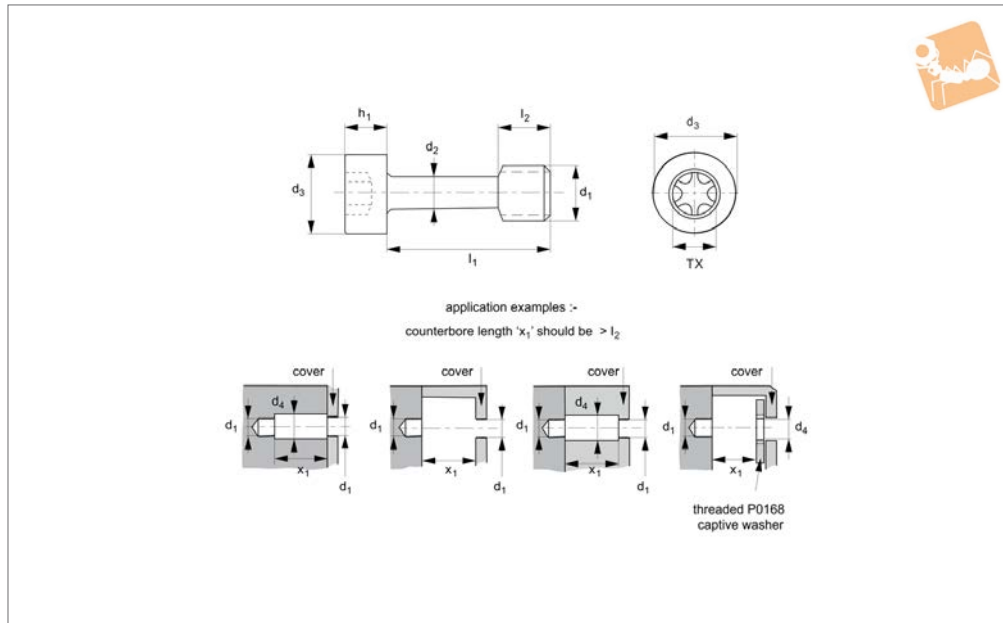
| Order No. | d ₁ | l ₁ ±0.25 | d ₂ ±0.12 | l ₂ ±0.25 | d ₃ max. | d ₄ min. | h ₁ max. | TX size |
|------------------|----------------|-------------------------|-------------------------|-------------------------|------------------------|------------------------|------------------------|---------|
| P0156.060-030-B2 | M 6 | 30 | 4.2 | 7.5 | 10.0 | 6.5 | 6 | TX-30 |
| P0156.060-040-B2 | M 6 | 40 | 4.2 | 7.5 | 10.0 | 6.5 | 6 | TX-30 |
| P0156.060-050-B2 | M 6 | 50 | 4.2 | 7.5 | 10.0 | 6.5 | 6 | TX-30 |
| P0156.060-060-B2 | M 6 | 60 | 4.2 | 7.5 | 10.0 | 6.5 | 6 | TX-30 |
| P0156.060-080-B2 | M 6 | 80 | 4.2 | 7.5 | 10.0 | 6.5 | 6 | TX-30 |
| P0156.080-012-B2 | M 8 | 12 | 6.0 | 10.0 | 13.0 | 8.5 | 8 | TX-30* |
| P0156.080-016-B2 | M 8 | 16 | 6.0 | 10.0 | 13.0 | 8.5 | 8 | TX-30* |
| P0156.080-020-B2 | M 8 | 20 | 6.0 | 10.0 | 13.0 | 8.5 | 8 | TX-30* |
| P0156.080-025-B2 | M 8 | 25 | 6.0 | 10.0 | 13.0 | 8.5 | 8 | TX-30* |
| P0156.080-030-B2 | M 8 | 30 | 6.0 | 10.0 | 13.0 | 8.5 | 8 | TX-30* |
| P0156.080-035-B2 | M 8 | 35 | 6.0 | 10.0 | 13.0 | 8.5 | 8 | TX-30* |
| P0156.080-040-B2 | M 8 | 40 | 6.0 | 10.0 | 13.0 | 8.5 | 8 | TX-30* |
| P0156.080-045-B2 | M 8 | 45 | 6.0 | 10.0 | 13.0 | 8.5 | 8 | TX-30* |
| P0156.080-050-B2 | M 8 | 50 | 6.0 | 10.0 | 13.0 | 8.5 | 8 | TX-30* |
| P0156.080-060-B2 | M 8 | 60 | 6.0 | 10.0 | 13.0 | 8.5 | 8 | TX-30* |
| P0156.080-080-B2 | M 8 | 80 | 6.0 | 10.0 | 13.0 | 8.5 | 8 | TX-30* |



Captive Screws - Cap Head

TX drive - 316 stainless, blackened

Captive Screws



P0156.B4

MADE IN BRITAIN

CAPTIVE SCREWS

Material

Stainless steel (AISI 316, 1.440), black oxide coating. Tensile strength 480 N/mm². Proof stress min. 200 N/mm², austenitic stainless steel.
Also available on request in steel (anodised, black oxide or zinc plated) stainless steel (AISI 303, 1.4305), brass, aluminium etc.

Technical Notes

Used to comply with the Machinery Directive 2006/42/EC. Generally to ISO 4762. Often used with our captive washers (P0168) or retaining flanges (P0169 - for sheet metal applications). The use of our captive washers should be considered when fitted in panels with unthreaded holes.

*M 8 sizes have a reduced TX size.

Important Notes

Please note that these screws have a reduced diameter shank and should not be tightened to the recommended torque for an equivalent machine screw of size d₁.

| Order No. | d ₁ | l ₁ ±0.25 | d ₂ ±0.12 | l ₂ ±0.25 | d ₃ max. | d ₄ min. | h ₁ max. | TX size |
|------------------|----------------|-------------------------|-------------------------|-------------------------|------------------------|------------------------|------------------------|---------|
| P0156.030-008-B4 | M 3 | 8 | 2.0 | 4.5 | 5.5 | 3.5 | 3 | TX-10 |
| P0156.030-010-B4 | M 3 | 10 | 2.0 | 4.5 | 5.5 | 3.5 | 3 | TX-10 |
| P0156.030-016-B4 | M 3 | 16 | 2.0 | 4.5 | 5.5 | 3.5 | 3 | TX-10 |
| P0156.030-020-B4 | M 3 | 20 | 2.0 | 4.5 | 5.5 | 3.5 | 3 | TX-10 |
| P0156.030-025-B4 | M 3 | 25 | 2.0 | 4.5 | 5.5 | 3.5 | 3 | TX-10 |
| P0156.030-030-B4 | M 3 | 30 | 2.0 | 4.5 | 5.5 | 3.5 | 3 | TX-10 |
| P0156.040-008-B4 | M 4 | 8 | 2.8 | 6.0 | 7.0 | 4.5 | 4 | TX-20 |
| P0156.040-010-B4 | M 4 | 10 | 2.8 | 6.0 | 7.0 | 4.5 | 4 | TX-20 |
| P0156.040-012-B4 | M 4 | 12 | 2.8 | 6.0 | 7.0 | 4.5 | 4 | TX-20 |
| P0156.040-016-B4 | M 4 | 16 | 2.8 | 6.0 | 7.0 | 4.5 | 4 | TX-20 |
| P0156.040-020-B4 | M 4 | 20 | 2.8 | 6.0 | 7.0 | 4.5 | 4 | TX-20 |
| P0156.040-025-B4 | M 4 | 25 | 2.8 | 6.0 | 7.0 | 4.5 | 4 | TX-20 |
| P0156.040-030-B4 | M 4 | 30 | 2.8 | 6.0 | 7.0 | 4.5 | 4 | TX-20 |
| P0156.040-040-B4 | M 4 | 40 | 2.8 | 6.0 | 7.0 | 4.5 | 4 | TX-20 |
| P0156.040-050-B4 | M 4 | 50 | 2.8 | 6.0 | 7.0 | 4.5 | 4 | TX-20 |
| P0156.050-010-B4 | M 5 | 10 | 3.7 | 7.5 | 8.5 | 5.5 | 5 | TX-25 |
| P0156.050-012-B4 | M 5 | 12 | 3.7 | 7.5 | 8.5 | 5.5 | 5 | TX-25 |
| P0156.050-016-B4 | M 5 | 16 | 3.7 | 7.5 | 8.5 | 5.5 | 5 | TX-25 |
| P0156.050-020-B4 | M 5 | 20 | 3.7 | 7.5 | 8.5 | 5.5 | 5 | TX-25 |
| P0156.050-025-B4 | M 5 | 25 | 3.7 | 7.5 | 8.5 | 5.5 | 5 | TX-25 |
| P0156.050-030-B4 | M 5 | 30 | 3.7 | 7.5 | 8.5 | 5.5 | 5 | TX-25 |
| P0156.050-040-B4 | M 5 | 40 | 3.7 | 7.5 | 8.5 | 5.5 | 5 | TX-25 |
| P0156.050-050-B4 | M 5 | 50 | 3.7 | 7.5 | 8.5 | 5.5 | 5 | TX-25 |
| P0156.060-010-B4 | M 6 | 10 | 4.2 | 7.5 | 10.0 | 6.5 | 6 | TX-30 |
| P0156.060-012-B4 | M 6 | 12 | 4.2 | 7.5 | 10.0 | 6.5 | 6 | TX-30 |
| P0156.060-016-B4 | M 6 | 16 | 4.2 | 7.5 | 10.0 | 6.5 | 6 | TX-30 |
| P0156.060-020-B4 | M 6 | 20 | 4.2 | 7.5 | 10.0 | 6.5 | 6 | TX-30 |
| P0156.060-025-B4 | M 6 | 25 | 4.2 | 7.5 | 10.0 | 6.5 | 6 | TX-30 |



| Order No. | d ₁ | l ₁ ±0.25 | d ₂ ±0.12 | l ₂ ±0.25 | d ₃ max. | d ₄ min. | h ₁ max. | TX size |
|------------------|----------------|-------------------------|-------------------------|-------------------------|------------------------|------------------------|------------------------|---------|
| P0156.060-030-B4 | M 6 | 30 | 4.2 | 7.5 | 10.0 | 6.5 | 6 | TX-30 |
| P0156.060-040-B4 | M 6 | 40 | 4.2 | 7.5 | 10.0 | 6.5 | 6 | TX-30 |
| P0156.060-050-B4 | M 6 | 50 | 4.2 | 7.5 | 10.0 | 6.5 | 6 | TX-30 |
| P0156.060-060-B4 | M 6 | 60 | 4.2 | 7.5 | 10.0 | 6.5 | 6 | TX-30 |
| P0156.060-080-B4 | M 6 | 80 | 4.2 | 7.5 | 10.0 | 6.5 | 6 | TX-30 |
| P0156.080-012-B4 | M 8 | 12 | 6.0 | 10.0 | 13.0 | 8.5 | 8 | TX-30* |
| P0156.080-016-B4 | M 8 | 16 | 6.0 | 10.0 | 13.0 | 8.5 | 8 | TX-30* |
| P0156.080-020-B4 | M 8 | 20 | 6.0 | 10.0 | 13.0 | 8.5 | 8 | TX-30* |
| P0156.080-025-B4 | M 8 | 25 | 6.0 | 10.0 | 13.0 | 8.5 | 8 | TX-30* |
| P0156.080-030-B4 | M 8 | 30 | 6.0 | 10.0 | 13.0 | 8.5 | 8 | TX-30* |
| P0156.080-035-B4 | M 8 | 35 | 6.0 | 10.0 | 13.0 | 8.5 | 8 | TX-30* |
| P0156.080-040-B4 | M 8 | 40 | 6.0 | 10.0 | 13.0 | 8.5 | 8 | TX-30* |
| P0156.080-045-B4 | M 8 | 45 | 6.0 | 10.0 | 13.0 | 8.5 | 8 | TX-30* |
| P0156.080-050-B4 | M 8 | 50 | 6.0 | 10.0 | 13.0 | 8.5 | 8 | TX-30* |
| P0156.080-060-B4 | M 8 | 60 | 6.0 | 10.0 | 13.0 | 8.5 | 8 | TX-30* |
| P0156.080-080-B4 | M 8 | 80 | 6.0 | 10.0 | 13.0 | 8.5 | 8 | TX-30* |

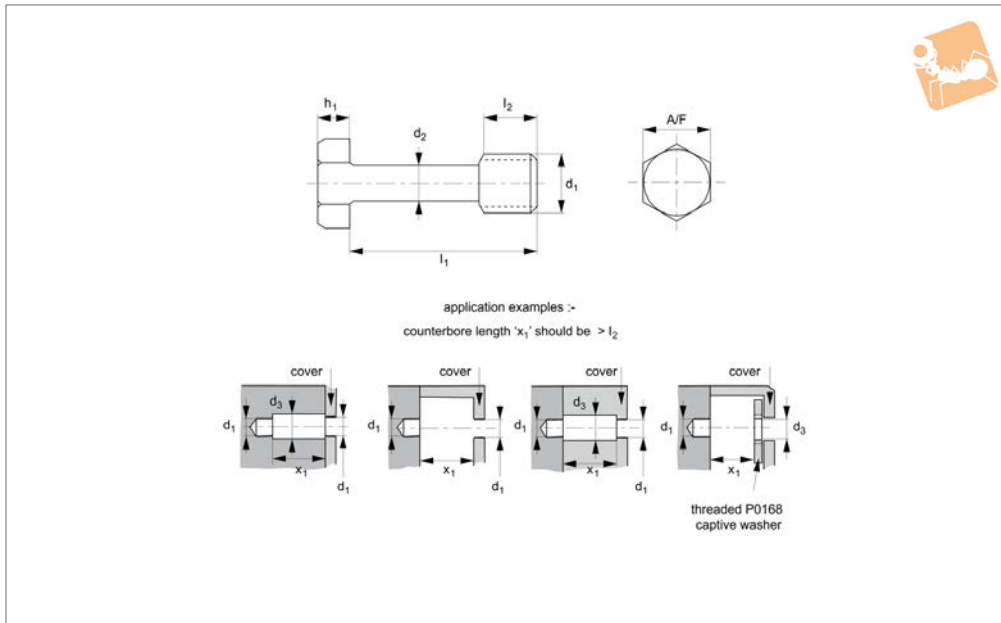


Captive Screws - Hex Bolts

303 stainless, blackened



Captive Screws



MADE IN BRITAIN

P0158.B2

CAPTIVE SCREWS

Material

Stainless steel (AISI 303, 1.4305), black oxide coating. Tensile strength 550 N/mm². Proof stress min. 190 N/mm², austenitic stainless steel.

Also available on request in steel (anodised, black oxide or zinc plated) stainless steel (AISI 316, 1.440), brass,

aluminium etc.

Technical Notes

Used to comply with the Machinery Directive 2006/42/EC. Often used with our captive washers (P0168) or retaining flanges (P0169 - for sheet metal applications). The use of our captive washers

should be considered when fitted in panels with unthreaded holes.

Important Notes

Please note that these screws have a reduced diameter shank and should not be tightened to the recommended torque for an equivalent machine screw of size d₁.

| Order No. | d ₁ | l ₁ ±0.25 | d ₂ ±0.12 | l ₂ ±0.25 | d ₃ min. | h ₁ max. | A/F |
|------------------|----------------|-------------------------|-------------------------|-------------------------|------------------------|------------------------|-----|
| P0158.030-010-B2 | M 3 | 10 | 2.0 | 4.5 | 3.5 | 2.2 | 6 |
| P0158.030-016-B2 | M 3 | 16 | 2.0 | 4.5 | 3.5 | 2.2 | 6 |
| P0158.030-020-B2 | M 3 | 20 | 2.0 | 4.5 | 3.5 | 2.2 | 6 |
| P0158.030-025-B2 | M 3 | 25 | 2.0 | 4.5 | 3.5 | 2.2 | 6 |
| P0158.030-030-B2 | M 3 | 30 | 2.0 | 4.5 | 3.5 | 2.2 | 6 |
| P0158.030-040-B2 | M 3 | 40 | 2.0 | 4.5 | 3.5 | 2.2 | 6 |
| P0158.040-012-B2 | M 4 | 12 | 2.8 | 6.0 | 4.5 | 2.9 | 7 |
| P0158.040-016-B2 | M 4 | 16 | 2.8 | 6.0 | 4.5 | 2.9 | 7 |
| P0158.040-020-B2 | M 4 | 20 | 2.8 | 6.0 | 4.5 | 2.9 | 7 |
| P0158.040-025-B2 | M 4 | 25 | 2.8 | 6.0 | 4.5 | 2.9 | 7 |
| P0158.040-030-B2 | M 4 | 30 | 2.8 | 8.0 | 4.5 | 2.9 | 7 |
| P0158.040-035-B2 | M 4 | 35 | 2.8 | 8.0 | 4.5 | 2.9 | 7 |
| P0158.040-040-B2 | M 4 | 40 | 2.8 | 8.0 | 4.5 | 2.9 | 7 |
| P0158.040-050-B2 | M 4 | 50 | 2.8 | 8.0 | 4.5 | 2.9 | 7 |
| P0158.040-060-B2 | M 4 | 60 | 2.8 | 8.0 | 4.5 | 2.9 | 7 |
| P0158.050-012-B2 | M 5 | 12 | 3.7 | 7.5 | 5.5 | 3.6 | 8 |
| P0158.050-016-B2 | M 5 | 16 | 3.7 | 7.5 | 5.5 | 3.6 | 8 |
| P0158.050-020-B2 | M 5 | 20 | 3.7 | 7.5 | 5.5 | 3.6 | 8 |
| P0158.050-025-B2 | M 5 | 25 | 3.7 | 7.5 | 5.5 | 3.6 | 8 |
| P0158.050-030-B2 | M 5 | 30 | 3.7 | 10.0 | 5.5 | 3.6 | 8 |
| P0158.050-035-B2 | M 5 | 35 | 3.7 | 10.0 | 5.5 | 3.6 | 8 |
| P0158.050-040-B2 | M 5 | 40 | 3.7 | 10.0 | 5.5 | 3.6 | 8 |
| P0158.050-050-B2 | M 5 | 50 | 3.7 | 10.0 | 5.5 | 3.6 | 8 |
| P0158.050-060-B2 | M 5 | 60 | 3.7 | 10.0 | 5.5 | 3.6 | 8 |
| P0158.060-012-B2 | M 6 | 12 | 4.2 | 7.5 | 6.5 | 4.1 | 10 |
| P0158.060-016-B2 | M 6 | 16 | 4.2 | 7.5 | 6.5 | 4.1 | 10 |
| P0158.060-020-B2 | M 6 | 20 | 4.2 | 7.5 | 6.5 | 4.1 | 10 |
| P0158.060-025-B2 | M 6 | 25 | 4.2 | 7.5 | 6.5 | 4.1 | 10 |
| P0158.060-030-B2 | M 6 | 30 | 4.2 | 7.5 | 6.5 | 4.1 | 10 |



CAPTIVE SCREWS

| Order No. | d ₁ | l ₁ ±0.25 | d ₂ ±0.12 | l ₂ ±0.25 | d ₃ min. | h ₁ max. | A/F |
|------------------|----------------|-------------------------|-------------------------|-------------------------|------------------------|------------------------|-----|
| P0158.060-035-B2 | M 6 | 35 | 4.2 | 7.5 | 6.5 | 4.1 | 10 |
| P0158.060-040-B2 | M 6 | 40 | 4.2 | 7.5 | 6.5 | 4.1 | 10 |
| P0158.060-050-B2 | M 6 | 50 | 4.2 | 7.5 | 6.5 | 4.1 | 10 |
| P0158.060-060-B2 | M 6 | 60 | 4.2 | 7.5 | 6.5 | 4.1 | 10 |
| P0158.060-080-B2 | M 6 | 80 | 4.2 | 7.5 | 6.5 | 4.1 | 10 |
| P0158.080-016-B2 | M 8 | 16 | 6.0 | 10.0 | 8.5 | 5.3 | 13 |
| P0158.080-020-B2 | M 8 | 20 | 6.0 | 10.0 | 8.5 | 5.3 | 13 |
| P0158.080-025-B2 | M 8 | 25 | 6.0 | 10.0 | 8.5 | 5.3 | 13 |
| P0158.080-030-B2 | M 8 | 30 | 6.0 | 10.0 | 8.5 | 5.3 | 13 |
| P0158.080-035-B2 | M 8 | 35 | 6.0 | 10.0 | 8.5 | 5.3 | 13 |
| P0158.080-040-B2 | M 8 | 40 | 6.0 | 10.0 | 8.5 | 5.3 | 13 |
| P0158.080-050-B2 | M 8 | 50 | 6.0 | 10.0 | 8.5 | 5.3 | 13 |
| P0158.080-060-B2 | M 8 | 60 | 6.0 | 10.0 | 8.5 | 5.3 | 13 |
| P0158.080-080-B2 | M 8 | 80 | 6.0 | 10.0 | 8.5 | 5.3 | 13 |
| P0158.100-020-B2 | M10 | 20 | 7.5 | 12.5 | 10.6 | 6.4 | 17 |
| P0158.100-025-B2 | M10 | 25 | 7.5 | 12.5 | 10.6 | 6.4 | 17 |
| P0158.100-030-B2 | M10 | 30 | 7.5 | 12.5 | 10.6 | 6.4 | 17 |
| P0158.100-035-B2 | M10 | 35 | 7.5 | 12.0 | 10.6 | 6.4 | 17 |
| P0158.100-040-B2 | M10 | 40 | 7.5 | 12.5 | 10.6 | 6.4 | 17 |
| P0158.100-050-B2 | M10 | 50 | 7.5 | 12.5 | 10.6 | 6.4 | 17 |
| P0158.100-060-B2 | M10 | 60 | 7.5 | 12.5 | 10.6 | 6.4 | 17 |
| P0158.100-080-B2 | M10 | 80 | 7.5 | 12.5 | 10.6 | 6.4 | 17 |
| P0158.120-025-B2 | M12 | 25 | 8.0 | 15.0 | 13.2 | 7.5 | 19 |
| P0158.120-030-B2 | M12 | 30 | 8.0 | 15.0 | 13.2 | 7.5 | 19 |
| P0158.120-035-B2 | M12 | 35 | 8.0 | 15.0 | 13.2 | 7.5 | 19 |
| P0158.120-040-B2 | M12 | 40 | 8.0 | 15.0 | 13.2 | 7.5 | 19 |
| P0158.120-050-B2 | M12 | 50 | 8.0 | 15.0 | 13.2 | 7.5 | 19 |
| P0158.120-060-B2 | M12 | 60 | 8.0 | 15.0 | 13.2 | 7.5 | 19 |
| P0158.120-080-B2 | M12 | 80 | 8.0 | 15.0 | 13.2 | 7.5 | 19 |

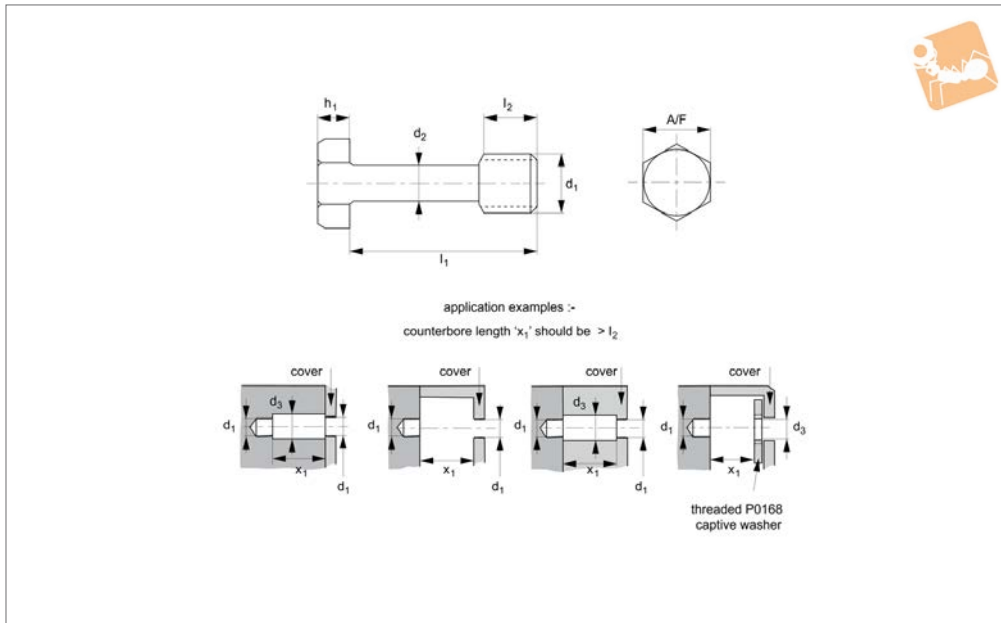


Captive Screws - Hex Bolts

316 stainless, blackened



Captive Screws



P0158.B4

MADE IN BRITAIN

CAPTIVE SCREWS

Material

Stainless steel (AISI 316, 1.440), black oxide coating. Tensile strength 480 N/mm². Proof stress min. 200 N/mm², austenitic stainless steel.
Also available on request in steel (anodised, black oxide or zinc plated) stainless steel (AISI 303, 1.4305), brass,

aluminium etc.

Technical Notes

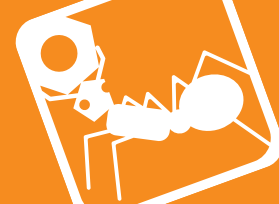
Used to comply with the Machinery Directive 2006/42/EC. Often used with our captive washers (P0168) or retaining flanges (P0169 - for sheet metal applications). The use of our captive washers

should be considered when fitted in panels with unthreaded holes.

Important Notes

Please note that these screws have a reduced diameter shank and should not be tightened to the recommended torque for an equivalent machine screw of size d₁.

| Order No. | d ₁ | l ₁ ±0.25 | d ₂ ±0.12 | l ₂ ±0.25 | d ₃ min. | h ₁ max. | A/F |
|------------------|----------------|-------------------------|-------------------------|-------------------------|------------------------|------------------------|-----|
| P0158.030-010-B4 | M 3 | 10 | 2.0 | 4.5 | 3.5 | 2.2 | 6 |
| P0158.030-016-B4 | M 3 | 16 | 2.0 | 4.5 | 3.5 | 2.2 | 6 |
| P0158.030-020-B4 | M 3 | 20 | 2.0 | 4.5 | 3.5 | 2.2 | 6 |
| P0158.030-025-B4 | M 3 | 25 | 2.0 | 4.5 | 3.5 | 2.2 | 6 |
| P0158.030-030-B4 | M 3 | 30 | 2.0 | 4.5 | 3.5 | 2.2 | 6 |
| P0158.030-040-B4 | M 3 | 40 | 2.0 | 4.5 | 3.5 | 2.2 | 6 |
| P0158.040-012-B4 | M 4 | 12 | 2.8 | 6.0 | 4.5 | 2.9 | 7 |
| P0158.040-016-B4 | M 4 | 16 | 2.8 | 6.0 | 4.5 | 2.9 | 7 |
| P0158.040-020-B4 | M 4 | 20 | 2.8 | 6.0 | 4.5 | 2.9 | 7 |
| P0158.040-025-B4 | M 4 | 25 | 2.8 | 6.0 | 4.5 | 2.9 | 7 |
| P0158.040-030-B4 | M 4 | 30 | 2.8 | 8.0 | 4.5 | 2.9 | 7 |
| P0158.040-035-B4 | M 4 | 35 | 2.8 | 8.0 | 4.5 | 2.9 | 7 |
| P0158.040-040-B4 | M 4 | 40 | 2.8 | 8.0 | 4.5 | 2.9 | 7 |
| P0158.040-050-B4 | M 4 | 50 | 2.8 | 8.0 | 4.5 | 2.9 | 7 |
| P0158.040-060-B4 | M 4 | 60 | 2.8 | 8.0 | 4.5 | 2.9 | 7 |
| P0158.050-012-B4 | M 5 | 12 | 3.7 | 7.5 | 5.5 | 3.6 | 8 |
| P0158.050-016-B4 | M 5 | 16 | 3.7 | 7.5 | 5.5 | 3.6 | 8 |
| P0158.050-020-B4 | M 5 | 20 | 3.7 | 7.5 | 5.5 | 3.6 | 8 |
| P0158.050-025-B4 | M 5 | 25 | 3.7 | 7.5 | 5.5 | 3.6 | 8 |
| P0158.050-030-B4 | M 5 | 30 | 3.7 | 10.0 | 5.5 | 3.6 | 8 |
| P0158.050-035-B4 | M 5 | 35 | 3.7 | 10.0 | 5.5 | 3.6 | 8 |
| P0158.050-040-B4 | M 5 | 40 | 3.7 | 10.0 | 5.5 | 3.6 | 8 |
| P0158.050-050-B4 | M 5 | 50 | 3.7 | 10.0 | 5.5 | 3.6 | 8 |
| P0158.050-060-B4 | M 5 | 60 | 3.7 | 10.0 | 5.5 | 3.6 | 8 |
| P0158.060-012-B4 | M 6 | 12 | 4.2 | 7.5 | 6.5 | 4.1 | 10 |
| P0158.060-016-B4 | M 6 | 16 | 4.2 | 7.5 | 6.5 | 4.1 | 10 |
| P0158.060-020-B4 | M 6 | 20 | 4.2 | 7.5 | 6.5 | 4.1 | 10 |
| P0158.060-025-B4 | M 6 | 25 | 4.2 | 7.5 | 6.5 | 4.1 | 10 |
| P0158.060-030-B4 | M 6 | 30 | 4.2 | 7.5 | 6.5 | 4.1 | 10 |



CAPTIVE SCREWS

| Order No. | d ₁ | l ₁ ±0.25 | d ₂ ±0.12 | l ₂ ±0.25 | d ₃ min. | h ₁ max. | A/F |
|------------------|----------------|-------------------------|-------------------------|-------------------------|------------------------|------------------------|-----|
| P0158.060-035-B4 | M 6 | 35 | 4.2 | 7.5 | 6.5 | 4.1 | 10 |
| P0158.060-040-B4 | M 6 | 40 | 4.2 | 7.5 | 6.5 | 4.1 | 10 |
| P0158.060-050-B4 | M 6 | 50 | 4.2 | 7.5 | 6.5 | 4.1 | 10 |
| P0158.060-060-B4 | M 6 | 60 | 4.2 | 7.5 | 6.5 | 4.1 | 10 |
| P0158.060-080-B4 | M 6 | 80 | 4.2 | 7.5 | 6.5 | 4.1 | 10 |
| P0158.080-016-B4 | M 8 | 16 | 6.0 | 10.0 | 8.5 | 5.3 | 13 |
| P0158.080-020-B4 | M 8 | 20 | 6.0 | 10.0 | 8.5 | 5.3 | 13 |
| P0158.080-025-B4 | M 8 | 25 | 6.0 | 10.0 | 8.5 | 5.3 | 13 |
| P0158.080-030-B4 | M 8 | 30 | 6.0 | 10.0 | 8.5 | 5.3 | 13 |
| P0158.080-035-B4 | M 8 | 35 | 6.0 | 10.0 | 8.5 | 5.3 | 13 |
| P0158.080-040-B4 | M 8 | 40 | 6.0 | 10.0 | 8.5 | 5.3 | 13 |
| P0158.080-050-B4 | M 8 | 50 | 6.0 | 10.0 | 8.5 | 5.3 | 13 |
| P0158.080-060-B4 | M 8 | 60 | 6.0 | 10.0 | 8.5 | 5.3 | 13 |
| P0158.080-080-B4 | M 8 | 80 | 6.0 | 10.0 | 8.5 | 5.3 | 13 |
| P0158.100-020-B4 | M10 | 20 | 7.5 | 12.5 | 10.6 | 6.4 | 17 |
| P0158.100-025-B4 | M10 | 25 | 7.5 | 12.5 | 10.6 | 6.4 | 17 |
| P0158.100-030-B4 | M10 | 30 | 7.5 | 12.5 | 10.6 | 6.4 | 17 |
| P0158.100-035-B4 | M10 | 35 | 7.5 | 12.0 | 10.6 | 6.4 | 17 |
| P0158.100-040-B4 | M10 | 40 | 7.5 | 12.5 | 10.6 | 6.4 | 17 |
| P0158.100-050-B4 | M10 | 50 | 7.5 | 12.5 | 10.6 | 6.4 | 17 |
| P0158.100-060-B4 | M10 | 60 | 7.5 | 12.5 | 10.6 | 6.4 | 17 |
| P0158.100-080-B4 | M10 | 80 | 7.5 | 12.5 | 10.6 | 6.4 | 17 |
| P0158.120-025-B4 | M12 | 25 | 8.0 | 15.0 | 13.2 | 7.5 | 19 |
| P0158.120-030-B4 | M12 | 30 | 8.0 | 15.0 | 13.2 | 7.5 | 19 |
| P0158.120-035-B4 | M12 | 35 | 8.0 | 15.0 | 13.2 | 7.5 | 19 |
| P0158.120-040-B4 | M12 | 40 | 8.0 | 15.0 | 13.2 | 7.5 | 19 |
| P0158.120-050-B4 | M12 | 50 | 8.0 | 15.0 | 13.2 | 7.5 | 19 |
| P0158.120-060-B4 | M12 | 60 | 8.0 | 15.0 | 13.2 | 7.5 | 19 |
| P0158.120-080-B4 | M12 | 80 | 8.0 | 15.0 | 13.2 | 7.5 | 19 |

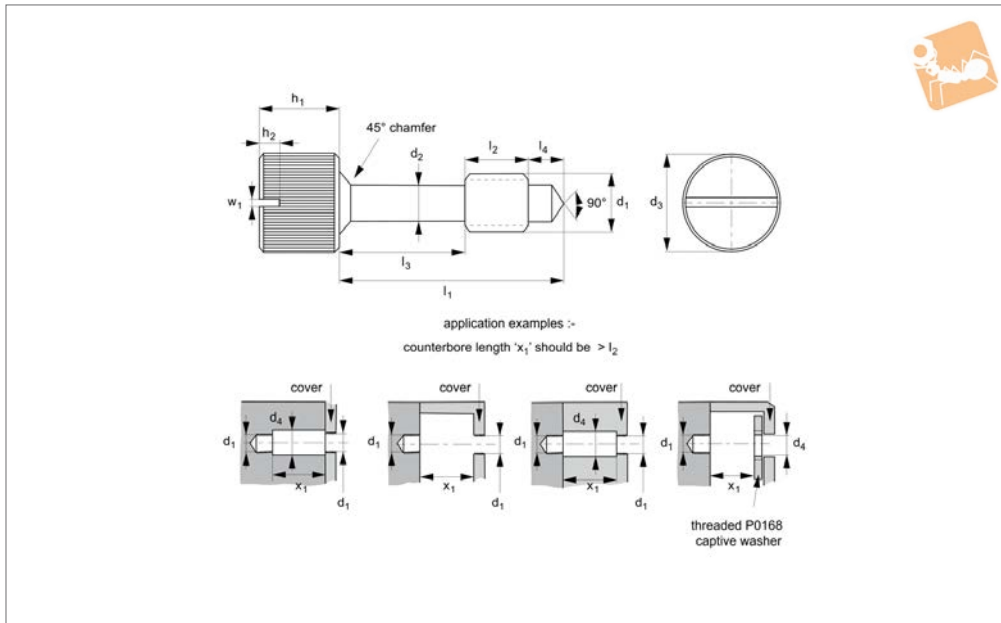


Captive Panel Thumb Screws

slot drive - 303 stainless, blackened



Captive Screws



P0159.B2

CAPTIVE SCREWS

Material

Stainless steel (AISI 303, 1.4305), black oxide coating. Tensile strength 550 N/mm². Proof stress min. 190 N/mm², austenitic stainless steel.
Also available on request in steel

(anodised, black oxide or zinc plated) stainless steel (AISI 316, 1.440), brass, aluminium etc.

Technical Notes

Used to comply with the Machinery Direc-

tive 2006/42/EC. Often used with our captive washers (P0168) or retaining flanges (P0169 - for sheet metal applications). The use of our captive washers should be considered when fitted in panels with unthreaded holes.

| Order No. | d ₁ | l ₁ ±0.25 | d ₂ ±0.12 | l ₂ ±0.25 | d ₃ | d ₄ min. | h ₁ | h ₂ | l ₃ | l ₄ | w ₁ |
|------------------|----------------|-------------------------|-------------------------|-------------------------|----------------|------------------------|----------------|----------------|----------------|----------------|----------------|
| P0159.030-010-B2 | M 3 | 10 | 2 | 3.2 | 6.5 | 3.5 | 6.5 | 2.0 | 4.8 | 2.0 | 1.2 |
| P0159.030-014-B2 | M 3 | 14 | 2 | 3.2 | 6.5 | 3.5 | 6.5 | 2.0 | 8.8 | 2.0 | 1.2 |
| P0159.030-016-B2 | M 3 | 16 | 2 | 3.2 | 6.5 | 3.5 | 6.5 | 2.0 | 10.8 | 2.0 | 1.2 |
| P0159.030-020-B2 | M 3 | 20 | 2 | 3.2 | 6.5 | 3.5 | 6.5 | 2.0 | 14.8 | 2.0 | 1.2 |
| P0159.030-022-B2 | M 3 | 22 | 2 | 3.2 | 6.5 | 3.5 | 6.5 | 2.0 | 16.8 | 2.0 | 1.2 |
| P0159.030-024-B2 | M 3 | 24 | 2 | 3.2 | 6.5 | 3.5 | 6.5 | 2.0 | 18.8 | 2.0 | 1.2 |
| P0159.030-026-B2 | M 3 | 26 | 2 | 3.2 | 6.5 | 3.5 | 6.5 | 2.0 | 20.8 | 2.0 | 1.2 |
| P0159.031-010-B2 | M 3 | 10 | 2 | 3.2 | 8 | 3.5 | 8.0 | 2.0 | 4.8 | 2.0 | 1.2 |
| P0159.031-014-B2 | M 3 | 14 | 2 | 3.2 | 8 | 3.5 | 8.0 | 2.0 | 8.8 | 2.0 | 1.2 |
| P0159.031-016-B2 | M 3 | 16 | 2 | 3.2 | 8 | 3.5 | 8.0 | 2.0 | 10.8 | 2.0 | 1.2 |
| P0159.031-020-B2 | M 3 | 20 | 2 | 3.2 | 8 | 3.5 | 8.0 | 2.0 | 14.8 | 2.0 | 1.2 |
| P0159.031-022-B2 | M 3 | 22 | 2 | 3.2 | 8 | 3.5 | 8.0 | 2.0 | 16.8 | 2.0 | 1.2 |
| P0159.031-024-B2 | M 3 | 24 | 2 | 3.2 | 8 | 3.5 | 8.0 | 2.0 | 18.8 | 2.0 | 1.2 |
| P0159.040-010-B2 | M 4 | 10 | 3 | 5.5 | 8 | 4.5 | 8.0 | 2.0 | 2.0 | 2.5 | 1.2 |
| P0159.040-014-B2 | M 4 | 14 | 3 | 5.5 | 8 | 4.5 | 8.0 | 2.0 | 6.0 | 2.5 | 1.2 |
| P0159.040-016-B2 | M 4 | 16 | 3 | 5.5 | 8 | 4.5 | 8.0 | 2.0 | 8.0 | 2.5 | 1.2 |
| P0159.040-020-B2 | M 4 | 20 | 3 | 5.5 | 8 | 4.5 | 8.0 | 2.0 | 12.0 | 2.5 | 1.2 |
| P0159.040-022-B2 | M 4 | 22 | 3 | 5.5 | 8 | 4.5 | 8.0 | 2.0 | 14.0 | 2.5 | 1.2 |
| P0159.040-024-B2 | M 4 | 24 | 3 | 5.5 | 8 | 4.5 | 8.0 | 2.0 | 16.0 | 2.5 | 1.2 |
| P0159.040-027-B2 | M 4 | 27 | 3 | 5.5 | 8 | 4.5 | 8.0 | 2.0 | 19.0 | 2.5 | 1.2 |
| P0159.040-032-B2 | M 4 | 32 | 3 | 5.5 | 8 | 4.5 | 8.0 | 2.0 | 24.0 | 2.5 | 1.2 |
| P0159.050-014-B2 | M 5 | 14 | 3.5 | 6.5 | 10 | 5.5 | 10.0 | 2.5 | 3.5 | 4.0 | 1.5 |
| P0159.050-016-B2 | M 5 | 16 | 3.5 | 6.5 | 10 | 5.5 | 10.0 | 2.5 | 5.5 | 4.0 | 1.5 |
| P0159.050-020-B2 | M 5 | 20 | 3.5 | 6.5 | 10 | 5.5 | 10.0 | 2.5 | 9.5 | 4.0 | 1.5 |
| P0159.050-022-B2 | M 5 | 22 | 3.5 | 6.5 | 10 | 5.5 | 10.0 | 2.5 | 11.5 | 4.0 | 1.5 |
| P0159.050-024-B2 | M 5 | 24 | 3.5 | 6.5 | 10 | 5.5 | 10.0 | 2.5 | 13.5 | 4.0 | 1.5 |
| P0159.050-027-B2 | M 5 | 27 | 3.5 | 6.5 | 10 | 5.5 | 10.0 | 2.5 | 16.5 | 4.0 | 1.5 |
| P0159.050-032-B2 | M 5 | 32 | 3.5 | 6.5 | 10 | 5.5 | 10.0 | 2.5 | 21.5 | 4.0 | 1.5 |
| P0159.050-035-B2 | M 5 | 35 | 3.5 | 6.5 | 10 | 5.5 | 10.0 | 2.5 | 24.5 | 4.0 | 1.5 |
| P0159.050-040-B2 | M 5 | 40 | 3.5 | 6.5 | 10 | 5.5 | 10.0 | 2.5 | 29.5 | 4.0 | 1.5 |
| P0159.060-016-B2 | M 6 | 16 | 4.5 | 8.0 | 12 | 6.5 | 15.0 | 2.5 | 3.0 | 5.0 | 2.0 |
| P0159.060-020-B2 | M 6 | 20 | 4.5 | 8.0 | 12 | 6.5 | 15.0 | 2.5 | 7.0 | 5.0 | 2.0 |



| Order No. | d ₁ | l ₁ ±0.25 | d ₂ ±0.12 | l ₂ ±0.25 | d ₃ | d ₄ min. | h ₁ | h ₂ | l ₃ | l ₄ | w ₁ |
|------------------|----------------|-------------------------|-------------------------|-------------------------|----------------|------------------------|----------------|----------------|----------------|----------------|----------------|
| P0159.060-022-B2 | M 6 | 22 | 4.5 | 8.0 | 12 | 6.5 | 15.0 | 2.5 | 9.0 | 5.0 | 2.0 |
| P0159.060-024-B2 | M 6 | 24 | 4.5 | 8.0 | 12 | 6.5 | 15.0 | 2.5 | 11.0 | 5.0 | 2.0 |
| P0159.060-027-B2 | M 6 | 27 | 4.5 | 8.0 | 12 | 6.5 | 15.0 | 2.5 | 14.0 | 5.0 | 2.0 |
| P0159.060-032-B2 | M 6 | 32 | 4.5 | 8.0 | 12 | 6.5 | 15.0 | 2.5 | 19.0 | 5.0 | 2.0 |
| P0159.060-035-B2 | M 6 | 35 | 4.5 | 8.0 | 12 | 6.5 | 15.0 | 2.5 | 22.0 | 5.0 | 2.0 |
| P0159.060-040-B2 | M 6 | 40 | 4.5 | 8.0 | 12 | 6.5 | 15.0 | 2.5 | 27.0 | 8.5 | 2.0 |
| P0159.060-045-B2 | M 6 | 45 | 4.5 | 8.0 | 12 | 6.5 | 15.0 | 2.5 | 32.0 | 8.5 | 2.0 |
| P0159.060-050-B2 | M 6 | 50 | 4.5 | 8.0 | 12 | 6.5 | 15.0 | 2.5 | 37.0 | 8.5 | 2.0 |

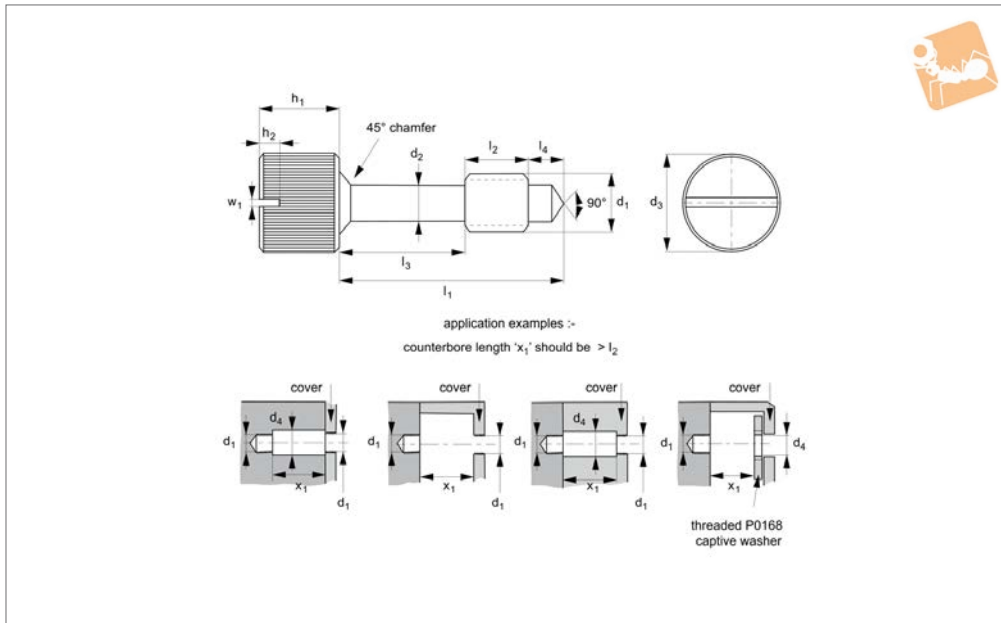


Captive Panel Thumb Screws

slot drive- 316 stainless, blackened



Captive Screws



P0159.B4

CAPTIVE SCREWS

Material

Stainless steel (AISI 316, 1.440), black oxide coating. Tensile strength 480 N/mm². Proof stress min. 200 N/mm², austenitic stainless steel. Also available on request in steel

(anodised, black oxide or zinc plated) stainless steel (AISI 303, 1.4305), brass, aluminium etc.

Technical Notes

Used to comply with the Machinery Direc-

tive 2006/42/EC. Often used with our captive washers (P0168) or retaining flanges (P0169 - for sheet metal applications). The use of our captive washers should be considered when fitted in panels with unthreaded holes.

| Order No. | d ₁ | l ₁ ±0.25 | d ₂ ±0.12 | l ₂ ±0.25 | d ₃ | d ₄ min. | h ₁ | h ₂ | l ₃ | l ₄ | w ₁ |
|------------------|----------------|-------------------------|-------------------------|-------------------------|----------------|------------------------|----------------|----------------|----------------|----------------|----------------|
| P0159.030-010-B4 | M 3 | 10 | 2 | 3.2 | 6.5 | 3.5 | 6.5 | 2.0 | 4.8 | 2.0 | 1.2 |
| P0159.030-014-B4 | M 3 | 14 | 2 | 3.2 | 6.5 | 3.5 | 6.5 | 2.0 | 8.8 | 2.0 | 1.2 |
| P0159.030-016-B4 | M 3 | 16 | 2 | 3.2 | 6.5 | 3.5 | 6.5 | 2.0 | 10.8 | 2.0 | 1.2 |
| P0159.030-020-B4 | M 3 | 20 | 2 | 3.2 | 6.5 | 3.5 | 6.5 | 2.0 | 14.8 | 2.0 | 1.2 |
| P0159.030-022-B4 | M 3 | 22 | 2 | 3.2 | 6.5 | 3.5 | 6.5 | 2.0 | 16.8 | 2.0 | 1.2 |
| P0159.030-024-B4 | M 3 | 24 | 2 | 3.2 | 6.5 | 3.5 | 6.5 | 2.0 | 18.8 | 2.0 | 1.2 |
| P0159.030-026-B4 | M 3 | 26 | 2 | 3.2 | 6.5 | 3.5 | 6.5 | 2.0 | 20.8 | 2.0 | 1.2 |
| P0159.031-010-B4 | M 3 | 10 | 2 | 3.2 | 8 | 3.5 | 8.0 | 2.0 | 4.8 | 2.0 | 1.2 |
| P0159.031-014-B4 | M 3 | 14 | 2 | 3.2 | 8 | 3.5 | 8.0 | 2.0 | 8.8 | 2.0 | 1.2 |
| P0159.031-016-B4 | M 3 | 16 | 2 | 3.2 | 8 | 3.5 | 8.0 | 2.0 | 10.8 | 2.0 | 1.2 |
| P0159.031-020-B4 | M 3 | 20 | 2 | 3.2 | 8 | 3.5 | 8.0 | 2.0 | 14.8 | 2.0 | 1.2 |
| P0159.031-022-B4 | M 3 | 22 | 2 | 3.2 | 8 | 3.5 | 8.0 | 2.0 | 16.8 | 2.0 | 1.2 |
| P0159.031-024-B4 | M 3 | 24 | 2 | 3.2 | 8 | 3.5 | 8.0 | 2.0 | 18.8 | 2.0 | 1.2 |
| P0159.040-010-B4 | M 4 | 10 | 3 | 5.5 | 8 | 4.5 | 8.0 | 2.0 | 2.0 | 2.5 | 1.2 |
| P0159.040-014-B4 | M 4 | 14 | 3 | 5.5 | 8 | 4.5 | 8.0 | 2.0 | 6.0 | 2.5 | 1.2 |
| P0159.040-016-B4 | M 4 | 16 | 3 | 5.5 | 8 | 4.5 | 8.0 | 2.0 | 8.0 | 2.5 | 1.2 |
| P0159.040-020-B4 | M 4 | 20 | 3 | 5.5 | 8 | 4.5 | 8.0 | 2.0 | 12.0 | 2.5 | 1.2 |
| P0159.040-022-B4 | M 4 | 22 | 3 | 5.5 | 8 | 4.5 | 8.0 | 2.0 | 14.0 | 2.5 | 1.2 |
| P0159.040-024-B4 | M 4 | 24 | 3 | 5.5 | 8 | 4.5 | 8.0 | 2.0 | 16.0 | 2.5 | 1.2 |
| P0159.040-027-B4 | M 4 | 27 | 3 | 5.5 | 8 | 4.5 | 8.0 | 2.0 | 19.0 | 2.5 | 1.2 |
| P0159.040-032-B4 | M 4 | 32 | 3 | 5.5 | 8 | 4.5 | 8.0 | 2.0 | 24.0 | 2.5 | 1.2 |
| P0159.050-014-B4 | M 5 | 14 | 3.5 | 6.5 | 10 | 5.5 | 10.0 | 2.5 | 3.5 | 4.0 | 1.5 |
| P0159.050-016-B4 | M 5 | 16 | 3.5 | 6.5 | 10 | 5.5 | 10.0 | 2.5 | 5.5 | 4.0 | 1.5 |
| P0159.050-020-B4 | M 5 | 20 | 3.5 | 6.5 | 10 | 5.5 | 10.0 | 2.5 | 9.5 | 4.0 | 1.5 |
| P0159.050-022-B4 | M 5 | 22 | 3.5 | 6.5 | 10 | 5.5 | 10.0 | 2.5 | 11.5 | 4.0 | 1.5 |
| P0159.050-024-B4 | M 5 | 24 | 3.5 | 6.5 | 10 | 5.5 | 10.0 | 2.5 | 13.5 | 4.0 | 1.5 |
| P0159.050-027-B4 | M 5 | 27 | 3.5 | 6.5 | 10 | 5.5 | 10.0 | 2.5 | 16.5 | 4.0 | 1.5 |
| P0159.050-032-B4 | M 5 | 32 | 3.5 | 6.5 | 10 | 5.5 | 10.0 | 2.5 | 21.5 | 4.0 | 1.5 |
| P0159.050-035-B4 | M 5 | 35 | 3.5 | 6.5 | 10 | 5.5 | 10.0 | 2.5 | 24.5 | 4.0 | 1.5 |
| P0159.050-040-B4 | M 5 | 40 | 3.5 | 6.5 | 10 | 5.5 | 10.0 | 2.5 | 29.5 | 4.0 | 1.5 |
| P0159.060-016-B4 | M 6 | 16 | 4.5 | 8.0 | 12 | 6.5 | 15.0 | 2.5 | 3.0 | 5.0 | 2.0 |
| P0159.060-020-B4 | M 6 | 20 | 4.5 | 8.0 | 12 | 6.5 | 15.0 | 2.5 | 7.0 | 5.0 | 2.0 |

Captive Screws

Captive Panel Thumb Screws slot drive- 316 stainless, blackened



| Order No. | d ₁ | l ₁ ±0.25 | d ₂ ±0.12 | l ₂ ±0.25 | d ₃ | d ₄ min. | h ₁ | h ₂ | l ₃ | l ₄ | w ₁ |
|------------------|----------------|-------------------------|-------------------------|-------------------------|----------------|------------------------|----------------|----------------|----------------|----------------|----------------|
| P0159.060-022-B4 | M 6 | 22 | 4.5 | 8.0 | 12 | 6.5 | 15.0 | 2.5 | 9.0 | 5.0 | 2.0 |
| P0159.060-024-B4 | M 6 | 24 | 4.5 | 8.0 | 12 | 6.5 | 15.0 | 2.5 | 11.0 | 5.0 | 2.0 |
| P0159.060-027-B4 | M 6 | 27 | 4.5 | 8.0 | 12 | 6.5 | 15.0 | 2.5 | 14.0 | 5.0 | 2.0 |
| P0159.060-032-B4 | M 6 | 32 | 4.5 | 8.0 | 12 | 6.5 | 15.0 | 2.5 | 19.0 | 5.0 | 2.0 |
| P0159.060-035-B4 | M 6 | 35 | 4.5 | 8.0 | 12 | 6.5 | 15.0 | 2.5 | 22.0 | 5.0 | 2.0 |
| P0159.060-040-B4 | M 6 | 40 | 4.5 | 8.0 | 12 | 6.5 | 15.0 | 2.5 | 27.0 | 8.5 | 2.0 |
| P0159.060-045-B4 | M 6 | 45 | 4.5 | 8.0 | 12 | 6.5 | 15.0 | 2.5 | 32.0 | 8.5 | 2.0 |
| P0159.060-050-B4 | M 6 | 50 | 4.5 | 8.0 | 12 | 6.5 | 15.0 | 2.5 | 37.0 | 8.5 | 2.0 |

CAPTIVE SCREWS