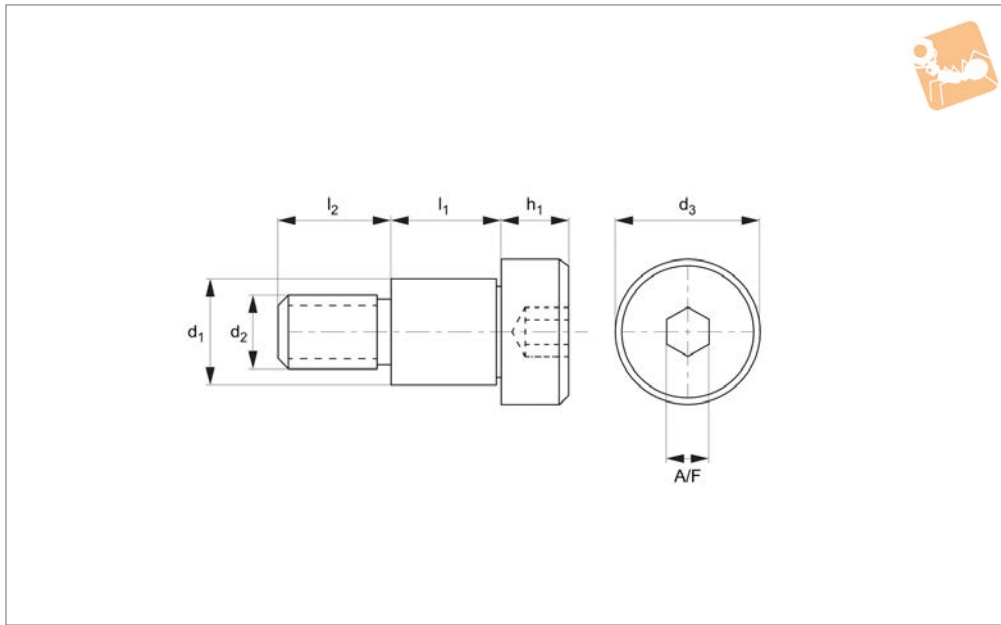




Shoulder Screws - Cap Head

hex drive - 303 stainless

Shoulder Screws



P0130.A2

SHOULDER SCREWS

Material

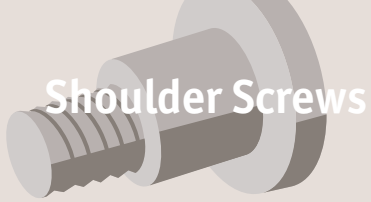
Stainless steel (AISI 303, 1.4305). Tensile strength 550 N/mm². Proof stress min. 190 N/mm², austenitic stainless steel.

Technical Notes

303 series stainless steel provides good resistance to corrosion. It is mildly magnetic.

For torx drive versions please see P0145. Special lengths and diameters produced to drawings.

Order No.	d ₁ +0 -0.025	l ₁ +0.05 -0.0	d ₂	d ₃	l ₂	h ₁	A/F
P0130.030-002-A2	3	2	M 2	5	4	2	1.5
P0130.030-003-A2	3	3	M 2	5	4	2	1.5
P0130.030-004-A2	3	4	M 2	5	4	2	1.5
P0130.030-005-A2	3	5	M 2	5	4	2	1.5
P0130.030-006-A2	3	6	M 2	5	4	2	1.5
P0130.030-007-A2	3	7	M 2	5	4	2	1.5
P0130.030-008-A2	3	8	M 2	5	4	2	1.5
P0130.030-010-A2	3	10	M 2	5	4	2	1.5
P0130.030-012-A2	3	12	M 2	5	4	2	1.5
P0130.030-014-A2	3	14	M 2	5	4	2	1.5
P0130.030-016-A2	3	16	M 2	5	4	2	1.5
P0130.030-018-A2	3	18	M 2	5	4	2	1.5
P0130.030-020-A2	3	20	M 2	5	4	2	1.5
P0130.030-025-A2	3	25	M 2	5	4	2	1.5
P0130.040-002-A2	4	2	M 3	6	4	3	2.0
P0130.040-003-A2	4	3	M 3	6	4	3	2.0
P0130.040-004-A2	4	4	M 3	6	4	3	2.0
P0130.040-005-A2	4	5	M 3	6	4	3	2.0
P0130.040-006-A2	4	6	M 3	6	4	3	2.0
P0130.040-007-A2	4	7	M 3	6	4	3	2.0
P0130.040-008-A2	4	8	M 3	6	4	3	2.0
P0130.040-010-A2	4	10	M 3	6	4	3	2.0
P0130.040-012-A2	4	12	M 3	6	4	3	2.0
P0130.040-014-A2	4	14	M 3	6	4	3	2.0
P0130.040-016-A2	4	16	M 3	6	4	3	2.0
P0130.040-018-A2	4	18	M 3	6	4	3	2.0
P0130.040-020-A2	4	20	M 3	6	4	3	2.0
P0130.040-025-A2	4	25	M 3	6	4	3	2.0
P0130.040-030-A2	4	30	M 3	6	4	3	2.0
P0130.040-035-A2	4	35	M 3	6	4	3	2.0
P0130.040-040-A2	4	40	M 3	6	4	3	2.0
P0130.040-045-A2	4	45	M 3	6	4	3	2.0
P0130.040-050-A2	4	50	M 3	6	4	3	2.0
P0130.050-002-A2	5	2	M 4	8	5	4	2.5



Shoulder Screws

Shoulder Screws - Cap Head

hex drive - 303 stainless



SHOULDER SCREWS

Order No.	d ₁ +0 -0.025	l ₁ +0.05 -0.0	d ₂	d ₃	l ₂	h ₁	A/F
P0130.050-003-A2	5	3	M 4	8	5	4	2.5
P0130.050-004-A2	5	4	M 4	8	5	4	2.5
P0130.050-005-A2	5	5	M 4	8	5	4	2.5
P0130.050-006-A2	5	6	M 4	8	5	4	2.5
P0130.050-007-A2	5	7	M 4	8	5	4	2.5
P0130.050-008-A2	5	8	M 4	8	5	4	2.5
P0130.050-010-A2	5	10	M 4	8	5	4	2.5
P0130.050-012-A2	5	12	M 4	8	5	4	2.5
P0130.050-014-A2	5	14	M 4	8	5	4	2.5
P0130.050-016-A2	5	16	M 4	8	5	4	2.5
P0130.050-018-A2	5	18	M 4	8	5	4	2.5
P0130.050-020-A2	5	20	M 4	8	5	4	2.5
P0130.050-025-A2	5	25	M 4	8	5	4	2.5
P0130.050-030-A2	5	30	M 4	8	5	4	2.5
P0130.050-035-A2	5	35	M 4	8	5	4	2.5
P0130.050-040-A2	5	40	M 4	8	5	4	2.5
P0130.050-045-A2	5	45	M 4	8	5	4	2.5
P0130.050-050-A2	5	50	M 4	8	5	4	2.5
P0130.060-002-A2	6	2	M 5	10	6	5	3.0
P0130.060-003-A2	6	3	M 5	10	6	5	3.0
P0130.060-004-A2	6	4	M 5	10	6	5	3.0
P0130.060-005-A2	6	5	M 5	10	6	5	3.0
P0130.060-006-A2	6	6	M 5	10	6	5	3.0
P0130.060-007-A2	6	7	M 5	10	6	5	3.0
P0130.060-008-A2	6	8	M 5	10	6	5	3.0
P0130.060-010-A2	6	10	M 5	10	6	5	3.0
P0130.060-012-A2	6	12	M 5	10	6	5	3.0
P0130.060-014-A2	6	14	M 5	10	6	5	3.0
P0130.060-016-A2	6	16	M 5	10	6	5	3.0
P0130.060-018-A2	6	18	M 5	10	6	5	3.0
P0130.060-020-A2	6	20	M 5	10	6	5	3.0
P0130.060-025-A2	6	25	M 5	10	6	5	3.0
P0130.060-030-A2	6	30	M 5	10	6	5	3.0
P0130.060-035-A2	6	35	M 5	10	6	5	3.0
P0130.060-040-A2	6	40	M 5	10	6	5	3.0
P0130.060-045-A2	6	45	M 5	10	6	5	3.0
P0130.060-050-A2	6	50	M 5	10	6	5	3.0
P0130.060-055-A2	6	55	M 5	10	6	5	3.0
P0130.060-060-A2	6	60	M 5	10	6	5	3.0
P0130.060-070-A2	6	70	M 5	10	6	5	3.0
P0130.060-080-A2	6	80	M 5	10	6	5	3.0
P0130.060-090-A2	6	90	M 5	10	6	5	3.0
P0130.060-100-A2	6	100	M 5	10	6	5	3.0
P0130.080-004-A2	8	4	M 6	12	11	6	4.0
P0130.080-005-A2	8	5	M 6	12	11	6	4.0
P0130.080-006-A2	8	6	M 6	12	11	6	4.0
P0130.080-007-A2	8	7	M 6	12	11	6	4.0
P0130.080-008-A2	8	8	M 6	12	11	6	4.0
P0130.080-010-A2	8	10	M 6	12	11	6	4.0
P0130.080-012-A2	8	12	M 6	12	11	6	4.0
P0130.080-014-A2	8	14	M 6	12	11	6	4.0
P0130.080-016-A2	8	16	M 6	12	11	6	4.0
P0130.080-018-A2	8	18	M 6	12	11	6	4.0
P0130.080-020-A2	8	20	M 6	12	11	6	4.0
P0130.080-025-A2	8	25	M 6	12	11	6	4.0
P0130.080-030-A2	8	30	M 6	12	11	6	4.0
P0130.080-035-A2	8	35	M 6	12	11	6	4.0
P0130.080-040-A2	8	40	M 6	12	11	6	4.0
P0130.080-045-A2	8	45	M 6	12	11	6	4.0
P0130.080-050-A2	8	50	M 6	12	11	6	4.0
P0130.080-055-A2	8	55	M 6	12	11	6	4.0
P0130.080-060-A2	8	60	M 6	12	11	6	4.0
P0130.080-065-A2	8	65	M 6	12	11	6	4.0
P0130.080-070-A2	8	70	M 6	12	11	6	4.0
P0130.080-075-A2	8	75	M 6	12	11	6	4.0
P0130.080-080-A2	8	80	M 6	12	11	6	4.0
P0130.080-090-A2	8	90	M 6	12	11	6	4.0
P0130.080-100-A2	8	100	M 6	12	11	6	4.0



Shoulder Screws - Cap Head

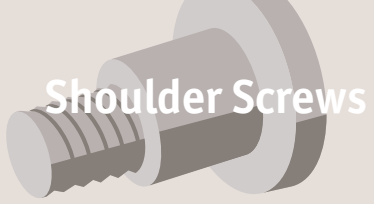
hex drive - 303 stainless

Shoulder Screws



Order No.	d ₁ +0 -0.025	l ₁ +0.05 -0.0	d ₂	d ₃	l ₂	h ₁	A/F
P0130.100-008-M6	10	8	M 6	14	11	7	5.0
P0130.100-010-M6	10	10	M 6	14	11	7	5.0
P0130.100-012-M6	10	12	M 6	14	11	7	5.0
P0130.100-016-M6	10	16	M 6	14	11	7	5.0
P0130.100-008-M8	10	8	M 8	14	12	7	5.0
P0130.100-010-M8	10	10	M 8	14	12	7	5.0
P0130.100-012-M8	10	12	M 8	14	12	7	5.0
P0130.100-014-M8	10	14	M 8	14	12	7	5.0
P0130.100-016-M8	10	16	M 8	14	12	7	5.0
P0130.100-018-M8	10	18	M 8	14	12	7	5.0
P0130.100-020-M8	10	20	M 8	14	12	7	5.0
P0130.100-025-M8	10	25	M 8	14	12	7	5.0
P0130.100-030-M8	10	30	M 8	14	12	7	5.0
P0130.100-035-M8	10	35	M 8	14	12	7	5.0
P0130.100-040-M8	10	40	M 8	14	12	7	5.0
P0130.100-045-M8	10	45	M 8	14	12	7	5.0
P0130.100-050-M8	10	50	M 8	14	12	7	5.0
P0130.100-055-M8	10	55	M 8	14	12	7	5.0
P0130.100-060-M8	10	60	M 8	14	12	7	5.0
P0130.100-065-M8	10	65	M 8	14	12	7	5.0
P0130.100-070-M8	10	70	M 8	14	12	7	5.0
P0130.100-080-M8	10	80	M 8	14	12	7	5.0
P0130.100-090-M8	10	90	M 8	14	12	7	5.0
P0130.100-100-M8	10	100	M 8	14	12	7	5.0
P0130.120-008-A2	12	8	M 10	20	16	8	6.0
P0130.120-010-A2	12	10	M 10	20	16	8	6.0
P0130.120-012-A2	12	12	M 10	20	16	8	6.0
P0130.120-014-A2	12	14	M 10	20	16	8	6.0
P0130.120-016-A2	12	16	M 10	20	16	8	6.0
P0130.120-018-A2	12	18	M 10	20	16	8	6.0
P0130.120-020-A2	12	20	M 10	20	16	8	6.0
P0130.120-025-A2	12	25	M 10	20	16	8	6.0
P0130.120-030-A2	12	30	M 10	20	16	8	6.0
P0130.120-035-A2	12	35	M 10	20	16	8	6.0
P0130.120-040-A2	12	40	M 10	20	16	8	6.0
P0130.120-045-A2	12	45	M 10	20	16	8	6.0
P0130.120-050-A2	12	50	M 10	20	16	8	6.0
P0130.120-055-A2	12	55	M 10	20	16	8	6.0
P0130.120-060-A2	12	60	M 10	20	16	8	6.0
P0130.120-065-A2	12	65	M 10	20	16	8	6.0
P0130.120-070-A2	12	70	M 10	20	16	8	6.0
P0130.120-075-A2	12	75	M 10	20	16	8	6.0
P0130.120-080-A2	12	80	M 10	20	16	8	6.0
P0130.120-090-A2	12	90	M 10	20	16	8	6.0
P0130.120-100-A2	12	100	M 10	20	16	8	6.0
P0130.160-025-A2	16	25	M 12	24	18	11	8.0
P0130.160-030-A2	16	30	M 12	24	18	11	8.0
P0130.160-035-A2	16	35	M 12	24	18	11	8.0
P0130.160-040-A2	16	40	M 12	24	18	11	8.0
P0130.160-045-A2	16	45	M 12	24	18	11	8.0
P0130.160-050-A2	16	50	M 12	24	18	11	8.0
P0130.160-055-A2	16	55	M 12	24	18	11	8.0
P0130.160-060-A2	16	60	M 12	24	18	11	8.0
P0130.160-065-A2	16	65	M 12	24	18	11	8.0
P0130.160-070-A2	16	70	M 12	24	18	11	8.0
P0130.160-075-A2	16	75	M 12	24	18	11	8.0
P0130.160-080-A2	16	80	M 12	24	18	11	8.0
P0130.160-090-A2	16	90	M 12	24	18	11	8.0
P0130.160-100-A2	16	100	M 12	24	18	11	8.0
P0130.200-030-A2	20	30	M 16	30	22	14	10.0
P0130.200-035-A2	20	35	M 16	30	22	14	10.0
P0130.200-040-A2	20	40	M 16	30	22	14	10.0
P0130.200-045-A2	20	45	M 16	30	22	14	10.0
P0130.200-050-A2	20	50	M 16	30	22	14	10.0
P0130.200-055-A2	20	55	M 16	30	22	14	10.0
P0130.200-060-A2	20	60	M 16	30	22	14	10.0
P0130.200-065-A2	20	65	M 16	30	22	14	10.0
P0130.200-070-A2	20	70	M 16	30	22	14	10.0

SHOULDER SCREWS



Shoulder Screws

Shoulder Screws - Cap Head

hex drive - 303 stainless



Order No.	d ₁ +0 -0.025	l ₁ +0.05 -0.0	d ₂	d ₃	l ₂	h ₁	A/F
P0130.200-075-A2	20	75	M 16	30	22	14	10.0
P0130.200-080-A2	20	80	M 16	30	22	14	10.0
P0130.200-090-A2	20	90	M 16	30	22	14	10.0
P0130.200-100-A2	20	100	M 16	30	22	14	10.0

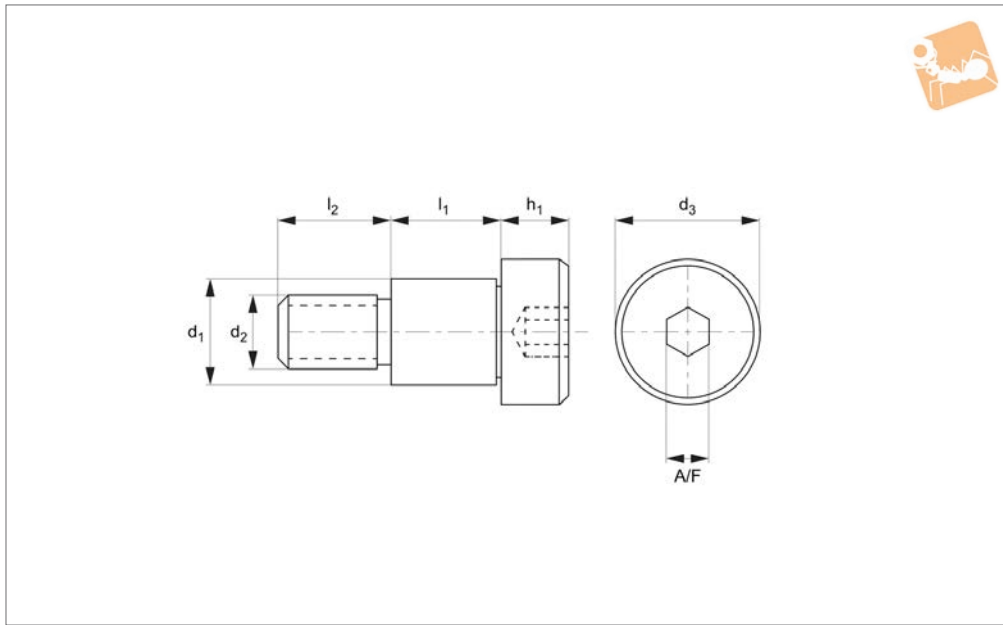
SHOULDER SCREWS



Shoulder Screws - Cap Head

hex drive - 316 stainless

Shoulder Screws



P0130.A4

SHOULDER SCREWS

Material

Stainless steel (AISI 316, 1.440).
Tensile strength 480 N/mm².
Proof stress min. 200 N/mm², austenitic

stainless steel.

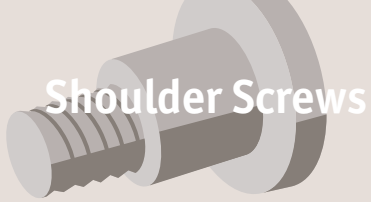
Technical Notes

Highly resistant to corrosion (including

from salt water).

Shim washers can be used to reduce shoulder length if required. It is non-magnetic.

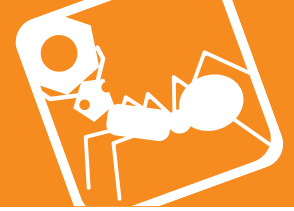
Order No.	d ₁ +0 -0.025	l ₁ +0.05 -0.0	d ₂	d ₃	l ₂	h ₁	A/F
P0130.030-003-A4	3	3	M 2	5	4	2.0	1.5
P0130.030-004-A4	3	4	M 2	5	4	2.0	1.5
P0130.030-005-A4	3	5	M 2	5	4	2.0	1.5
P0130.030-006-A4	3	6	M 2	5	4	2.0	1.5
P0130.030-007-A4	3	7	M 2	5	4	2.0	1.5
P0130.030-008-A4	3	8	M 2	5	4	2.0	1.5
P0130.030-010-A4	3	10	M 2	5	4	2.0	1.5
P0130.040-004-A4	4	4	M 3	6	4	3.0	2.0
P0130.040-005-A4	4	5	M 3	6	4	3.0	2.0
P0130.040-006-A4	4	6	M 3	6	4	3.0	2.0
P0130.040-007-A4	4	7	M 3	6	4	3.0	2.0
P0130.040-008-A4	4	8	M 3	6	4	3.0	2.0
P0130.040-010-A4	4	10	M 3	6	4	3.0	2.0
P0130.040-012-A4	4	12	M 3	6	4	3.0	2.0
P0130.040-014-A4	4	14	M 3	6	4	3.0	2.0
P0130.040-016-A4	4	16	M 3	6	4	3.0	2.0
P0130.040-018-A4	4	18	M 3	6	4	3.0	2.0
P0130.040-020-A4	4	20	M 3	6	4	3.0	2.0
P0130.050-005-A4	5	5	M 4	8	5	4.0	2.5
P0130.050-006-A4	5	6	M 4	8	5	4.0	2.5
P0130.050-007-A4	5	7	M 4	8	5	4.0	2.5
P0130.050-008-A4	5	8	M 4	8	5	4.0	2.5
P0130.050-010-A4	5	10	M 4	8	5	4.0	2.5
P0130.050-012-A4	5	12	M 4	8	5	4.0	2.5
P0130.050-014-A4	5	14	M 4	8	5	4.0	2.5
P0130.050-016-A4	5	16	M 4	8	5	4.0	2.5
P0130.050-018-A4	5	18	M 4	8	5	4.0	2.5
P0130.050-020-A4	5	20	M 4	8	5	4.0	2.5
P0130.050-025-A4	5	25	M 4	8	5	4.0	2.5
P0130.050-030-A4	5	30	M 4	8	5	4.0	2.5
P0130.060-006-A4	6	6	M 5	10	6	5.0	3.0
P0130.060-007-A4	6	7	M 5	10	6	5.0	3.0
P0130.060-008-A4	6	8	M 5	10	6	5.0	3.0
P0130.060-010-A4	6	10	M 5	10	6	5.0	3.0



Shoulder Screws

Shoulder Screws - Cap Head

hex drive - 316 stainless



SHOULDER SCREWS

Order No.	d ₁ +0 -0.025	l ₁ +0.05 -0.0	d ₂	d ₃	l ₂	h ₁	A/F
P0130.060-012-A4	6	12	M 5	10	6	5.0	3.0
P0130.060-014-A4	6	14	M 5	10	6	5.0	3.0
P0130.060-016-A4	6	16	M 5	10	6	5.0	3.0
P0130.060-018-A4	6	18	M 5	10	6	5.0	3.0
P0130.060-020-A4	6	20	M 5	10	6	5.0	3.0
P0130.060-025-A4	6	25	M 5	10	6	5.0	3.0
P0130.060-030-A4	6	30	M 5	10	6	5.0	3.0
P0130.060-035-A4	6	35	M 5	10	6	5.0	3.0
P0130.060-040-A4	6	40	M 5	10	6	5.0	3.0
P0130.060-045-A4	6	45	M 5	10	6	5.0	3.0
P0130.060-050-A4	6	50	M 5	10	6	5.0	3.0
P0130.080-008-A4	8	8	M 6	12	11	6.0	4.0
P0130.080-010-A4	8	10	M 6	12	11	6.0	4.0
P0130.080-012-A4	8	12	M 6	12	11	6.0	4.0
P0130.080-014-A4	8	14	M 6	12	11	6.0	4.0
P0130.080-016-A4	8	16	M 6	12	11	6.0	4.0
P0130.080-018-A4	8	18	M 6	12	11	6.0	4.0
P0130.080-020-A4	8	20	M 6	12	11	6.0	4.0
P0130.080-025-A4	8	25	M 6	12	11	6.0	4.0
P0130.080-030-A4	8	30	M 6	12	11	6.0	4.0
P0130.080-035-A4	8	35	M 6	12	11	6.0	4.0
P0130.080-040-A4	8	40	M 6	12	11	6.0	4.0
P0130.080-045-A4	8	45	M 6	12	11	6.0	4.0
P0130.080-050-A4	8	50	M 6	12	11	6.0	4.0
P0130.100-008-A4	10	8	M 8	14	12	7.0	5.0
P0130.100-010-A4	10	10	M 8	14	12	7.0	5.0
P0130.100-012-A4	10	12	M 8	14	12	7.0	5.0
P0130.100-014-A4	10	14	M 8	14	12	7.0	5.0
P0130.100-016-A4	10	16	M 8	14	12	7.0	5.0
P0130.100-020-A4	10	20	M 8	14	12	7.0	5.0
P0130.100-025-A4	10	25	M 8	14	12	7.0	5.0
P0130.100-030-A4	10	30	M 8	14	12	7.0	5.0
P0130.100-035-A4	10	35	M 8	14	12	7.0	5.0
P0130.100-040-A4	10	40	M 8	14	12	7.0	5.0
P0130.100-045-A4	10	45	M 8	14	12	7.0	5.0
P0130.100-050-A4	10	50	M 8	14	12	7.0	5.0
P0130.100-055-A4	10	55	M 8	14	12	7.0	5.0
P0130.100-060-A4	10	60	M 8	14	12	7.0	5.0
P0130.100-065-A4	10	65	M 8	14	12	7.0	5.0
P0130.100-070-A4	10	70	M 8	14	12	7.0	5.0
P0130.120-008-A4	12	8	M 10	20	16	8.0	6.0
P0130.120-010-A4	12	10	M 10	20	16	8.0	6.0
P0130.120-012-A4	12	12	M 10	20	16	8.0	6.0
P0130.120-014-A4	12	14	M 10	20	16	8.0	6.0
P0130.120-016-A4	12	16	M 10	20	16	8.0	6.0
P0130.120-018-A4	12	18	M 10	20	16	8.0	6.0
P0130.120-020-A4	12	20	M 10	20	16	8.0	6.0
P0130.120-025-A4	12	25	M 10	20	16	8.0	6.0
P0130.120-030-A4	12	30	M 10	20	16	8.0	6.0
P0130.120-035-A4	12	35	M 10	20	16	8.0	6.0
P0130.120-040-A4	12	40	M 10	20	16	8.0	6.0
P0130.120-045-A4	12	45	M 10	20	16	8.0	6.0
P0130.120-050-A4	12	50	M 10	20	16	8.0	6.0
P0130.120-055-A4	12	55	M 10	20	16	8.0	6.0
P0130.120-060-A4	12	60	M 10	20	16	8.0	6.0
P0130.120-065-A4	12	65	M 10	20	16	8.0	6.0
P0130.120-070-A4	12	70	M 10	20	16	8.0	6.0
P0130.160-025-A4	16	25	M 12	24	18	11.0	8.0
P0130.160-030-A4	16	30	M 12	24	18	11.0	8.0
P0130.160-035-A4	16	35	M 12	24	18	11.0	8.0
P0130.160-040-A4	16	40	M 12	24	18	11.0	8.0
P0130.160-045-A4	16	45	M 12	24	18	11.0	8.0
P0130.160-050-A4	16	50	M 12	24	18	11.0	8.0
P0130.160-055-A4	16	55	M 12	24	18	11.0	8.0
P0130.160-060-A4	16	60	M 12	24	18	11.0	8.0
P0130.160-065-A4	16	65	M 12	24	18	11.0	8.0
P0130.160-070-A4	16	70	M 12	24	18	11.0	8.0
P0130.160-075-A4	16	75	M 12	24	18	11.0	8.0



Shoulder Screws - Cap Head

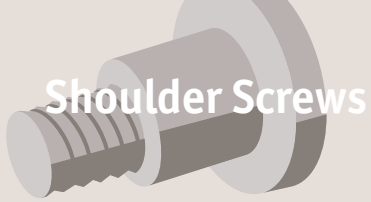
hex drive - 316 stainless

Shoulder Screws



Order No.	d_1 +0 -0.025	l_1 +0.05 -0.0	d_2	d_3	l_2	h_1	A/F
P0130.160-080-A4	16	80	M 12	24	18	11.0	8.0
P0130.160-090-A4	16	90	M 12	24	18	11.0	8.0
P0130.160-100-A4	16	100	M 12	24	18	11.0	8.0
P0130.200-030-A4	20	30	M 16	30	22	14.0	10.0
P0130.200-035-A4	20	35	M 16	30	22	14.0	10.0
P0130.200-040-A4	20	40	M 16	30	22	14.0	10.0
P0130.200-045-A4	20	45	M 16	30	22	14.0	10.0
P0130.200-050-A4	20	50	M 16	30	22	14.0	10.0

SHOULDER SCREWS



Shoulder Screws

Ultra Low Head - Shoulder Screw

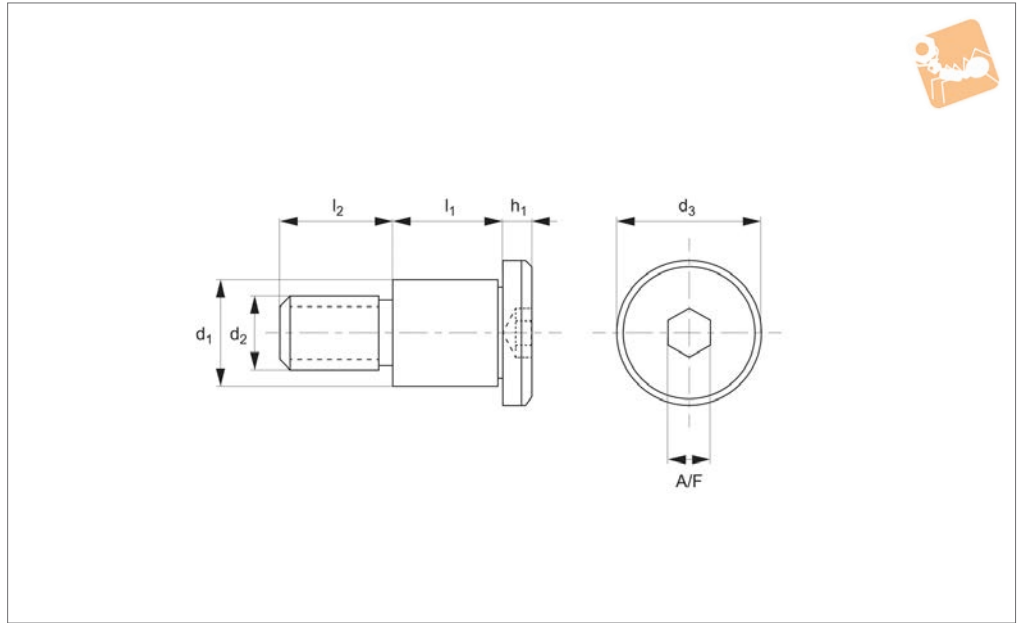
hex drive - 303 stainless



SHOULDER SCREWS



P0134.A2



Material

Stainless steel (AISI 303, 1.4305). Tensile strength 550 N/mm². Proof stress min. 190 N/mm², austenitic stainless steel.

Technical Notes

These very low profile socket shoulder

screws have a head height approximately 1/3 that of normal shoulder screws (P0130).

303 Series stainless is suitable for pharmaceutical and other applications. Stainless steel suitable for marine and other appli-

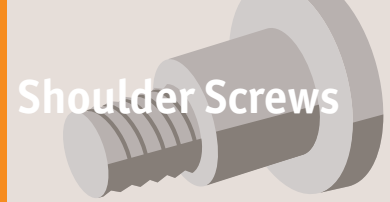
cations.

Order No.	d ₁ +0 -0.025	l ₁ +0.05 -0.0	d ₂	d ₃	l ₂	h ₁	A/F
P0134.040-004-A2	4	4	M 3	6	4	1.3	2
P0134.040-005-A2	4	5	M 3	6	4	1.3	2
P0134.040-006-A2	4	6	M 3	6	4	1.3	2
P0134.040-008-A2	4	8	M 3	6	4	1.3	2
P0134.040-010-A2	4	10	M 3	6	4	1.3	2
P0134.040-012-A2	4	12	M 3	6	4	1.3	2
P0134.040-016-A2	4	16	M 3	6	4	1.3	2
P0134.040-020-A2	4	20	M 3	6	4	1.3	2
P0134.050-004-A2	5	4	M 4	9	5	1.3	2.5
P0134.050-005-A2	5	5	M 4	9	5	1.3	2.5
P0134.050-006-A2	5	6	M 4	9	5	1.3	2.5
P0134.050-008-A2	5	8	M 4	9	5	1.3	2.5
P0134.050-010-A2	5	10	M 4	9	5	1.3	2.5
P0134.050-012-A2	5	12	M 4	9	5	1.3	2.5
P0134.050-016-A2	5	16	M 4	9	5	1.3	2.5
P0134.050-020-A2	5	20	M 4	9	5	1.3	2.5
P0134.050-025-A2	5	25	M 4	9	5	1.3	2.5
P0134.050-030-A2	5	30	M 4	9	5	1.3	2.5
P0134.050-040-A2	5	40	M 4	9	5	1.3	2.5
P0134.060-004-A2	6	4	M 5	10	6	1.7	3
P0134.060-005-A2	6	5	M 5	10	6	1.7	3
P0134.060-006-A2	6	6	M 5	10	6	1.7	3
P0134.060-008-A2	6	8	M 5	10	6	1.7	3
P0134.060-010-A2	6	10	M 5	10	6	1.7	3
P0134.060-012-A2	6	12	M 5	10	6	1.7	3
P0134.060-016-A2	6	16	M 5	10	6	1.7	3
P0134.060-020-A2	6	20	M 5	10	6	1.7	3
P0134.060-025-A2	6	25	M 5	10	6	1.7	3
P0134.060-030-A2	6	30	M 5	10	6	1.7	3
P0134.060-040-A2	6	40	M 5	10	6	1.7	3
P0134.080-006-A2	8	6	M 6	13	11	2.0	4



Ultra Low Head - Shoulder Screw

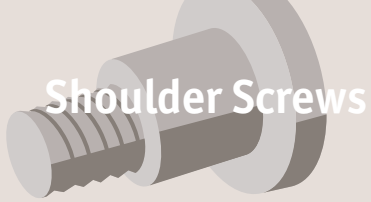
hex drive - 303 stainless



Shoulder Screws

Order No.	d ₁ +0 -0.025	l ₁ +0.05 -0.0	d ₂	d ₃	l ₂	h ₁	A/F
P0134.080-008-A2	8	8	M 6	13	11	2.0	4
P0134.080-010-A2	8	10	M 6	13	11	2.0	4
P0134.080-012-A2	8	12	M 6	13	11	2.0	4
P0134.080-016-A2	8	16	M 6	13	11	2.0	4
P0134.080-020-A2	8	20	M 6	13	11	2.0	4
P0134.080-025-A2	8	25	M 6	13	11	2.0	4
P0134.080-030-A2	8	30	M 6	13	11	2.0	4
P0134.080-040-A2	8	40	M 6	13	11	2.0	4
P0134.100-008-A2	10	8	M 8	14	12	2.7	5
P0134.100-010-A2	10	10	M 8	14	12	2.7	5
P0134.100-012-A2	10	12	M 8	14	12	2.7	5
P0134.100-016-A2	10	16	M 8	14	12	2.7	5
P0134.100-020-A2	10	20	M 8	14	12	2.7	5
P0134.100-025-A2	10	25	M 8	14	12	2.7	5
P0134.100-030-A2	10	30	M 8	14	12	2.7	5
P0134.100-040-A2	10	40	M 8	14	12	2.7	5
P0134.100-050-A2	10	50	M 8	14	12	2.7	5
P0134.120-010-A2	12	10	M10	20	16	3.5	6
P0134.120-012-A2	12	12	M10	20	16	3.5	6
P0134.120-016-A2	12	16	M10	20	16	3.5	6
P0134.120-020-A2	12	20	M10	20	16	3.5	6
P0134.120-025-A2	12	25	M10	20	16	3.5	6
P0134.120-030-A2	12	30	M10	20	16	3.5	6
P0134.120-040-A2	12	40	M10	20	16	3.5	6
P0134.120-050-A2	12	50	M10	20	16	3.5	6

SHOULDER SCREWS



Shoulder Screws

Ultra Low Head - Shoulder Screw

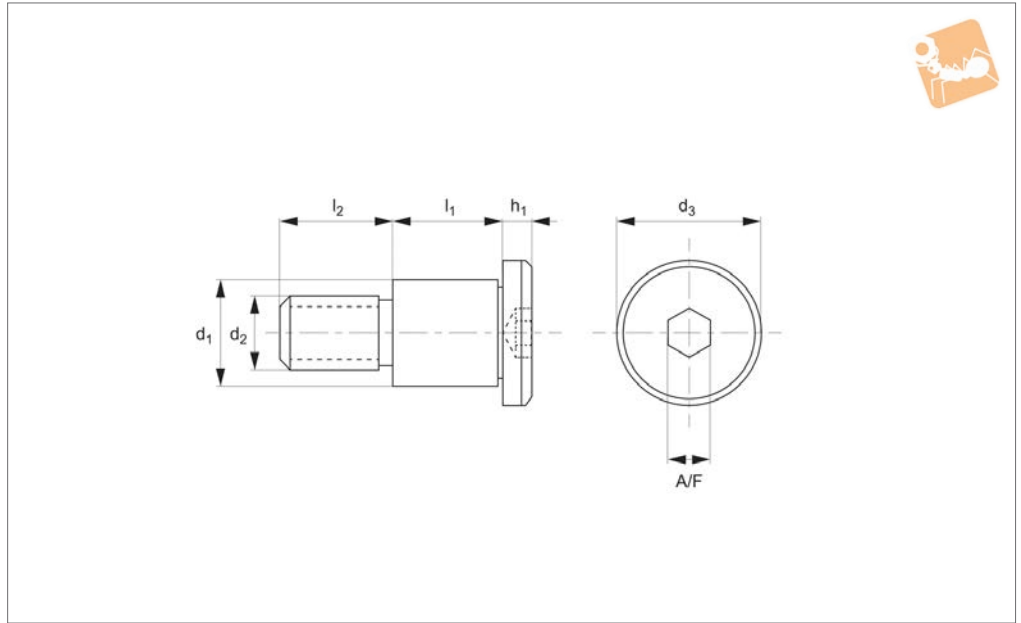
hex drive - 316 stainless



SHOULDER SCREWS



P0134.A4



Material

Stainless steel (AISI 316, 1.440). Tensile strength 480 N/mm². Proof stress min. 200 N/mm², austenitic stainless steel.

screws have a head height approximately 1/3 that of normal shoulder screws (P0130).

316 Series stainless have excellent corrosion resistance. Stainless steel suitable for marine and other applications.

Technical Notes

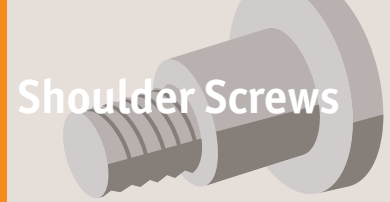
These very low profile socket shoulder

Order No.	d ₁ +0 -0.025	l ₁ +0.05 -0.0	d ₂	d ₃	l ₂	h ₁	A/F
P0134.040-004-A4	4	4	M 3	6	4	1.3	2
P0134.040-005-A4	4	5	M 3	6	4	1.3	2
P0134.040-006-A4	4	6	M 3	6	4	1.3	2
P0134.040-008-A4	4	8	M 3	6	4	1.3	2
P0134.040-010-A4	4	10	M 3	6	4	1.3	2
P0134.040-012-A4	4	12	M 3	6	4	1.3	2
P0134.040-016-A4	4	16	M 3	6	4	1.3	2
P0134.040-020-A4	4	20	M 3	6	4	1.3	2
P0134.050-004-A4	5	4	M 4	9	5	1.3	2.5
P0134.050-005-A4	5	5	M 4	9	5	1.3	2.5
P0134.050-006-A4	5	6	M 4	9	5	1.3	2.5
P0134.050-008-A4	5	8	M 4	9	5	1.3	2.5
P0134.050-010-A4	5	10	M 4	9	5	1.3	2.5
P0134.050-012-A4	5	12	M 4	9	5	1.3	2.5
P0134.050-016-A4	5	16	M 4	9	5	1.3	2.5
P0134.050-020-A4	5	20	M 4	9	5	1.3	2.5
P0134.050-025-A4	5	25	M 4	9	5	1.3	2.5
P0134.050-030-A4	5	30	M 4	9	5	1.3	2.5
P0134.050-040-A4	5	40	M 4	9	5	1.3	2.5
P0134.060-004-A4	6	4	M 5	10	6	1.7	3
P0134.060-005-A4	6	5	M 5	10	6	1.7	3
P0134.060-006-A4	6	6	M 5	10	6	1.7	3
P0134.060-008-A4	6	8	M 5	10	6	1.7	3
P0134.060-010-A4	6	10	M 5	10	6	1.7	3
P0134.060-012-A4	6	12	M 5	10	6	1.7	3
P0134.060-016-A4	6	16	M 5	10	6	1.7	3
P0134.060-020-A4	6	20	M 5	10	6	1.7	3
P0134.060-025-A4	6	25	M 5	10	6	1.7	3
P0134.060-030-A4	6	30	M 5	10	6	1.7	3
P0134.060-040-A4	6	40	M 5	10	6	1.7	3
P0134.080-006-A4	8	6	M 6	13	11	2.0	4



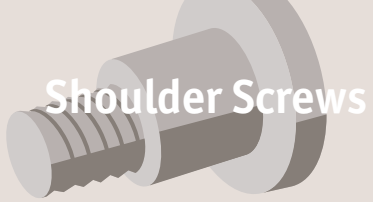
Ultra Low Head - Shoulder Screw

hex drive - 316 stainless



Order No.	d ₁ +0 -0.025	l ₁ +0.05 -0.0	d ₂	d ₃	l ₂	h ₁	A/F
P0134.080-008-A4	8	8	M 6	13	11	2.0	4
P0134.080-010-A4	8	10	M 6	13	11	2.0	4
P0134.080-012-A4	8	12	M 6	13	11	2.0	4
P0134.080-016-A4	8	16	M 6	13	11	2.0	4
P0134.080-020-A4	8	20	M 6	13	11	2.0	4
P0134.080-025-A4	8	25	M 6	13	11	2.0	4
P0134.080-030-A4	8	30	M 6	13	11	2.0	4
P0134.080-040-A4	8	40	M 6	13	11	2.0	4
P0134.100-008-A4	10	8	M 8	14	12	2.7	5
P0134.100-010-A4	10	10	M 8	14	12	2.7	5
P0134.100-012-A4	10	12	M 8	14	12	2.7	5
P0134.100-016-A4	10	16	M 8	14	12	2.7	5
P0134.100-020-A4	10	20	M 8	14	12	2.7	5
P0134.100-025-A4	10	25	M 8	14	12	2.7	5
P0134.100-030-A4	10	30	M 8	14	12	2.7	5
P0134.100-040-A4	10	40	M 8	14	12	2.7	5
P0134.100-050-A4	10	50	M 8	14	12	2.7	5
P0134.120-010-A4	12	10	M10	20	16	3.5	6
P0134.120-012-A4	12	12	M10	20	16	3.5	6
P0134.120-016-A4	12	16	M10	20	16	3.5	6
P0134.120-020-A4	12	20	M10	20	16	3.5	6
P0134.120-025-A4	12	25	M10	20	16	3.5	6
P0134.120-030-A4	12	30	M10	20	16	3.5	6
P0134.120-040-A4	12	40	M10	20	16	3.5	6
P0134.120-050-A4	12	50	M10	20	16	3.5	6

SHOULDER SCREWS



Shoulder Screws

Shoulder Screws - Headless

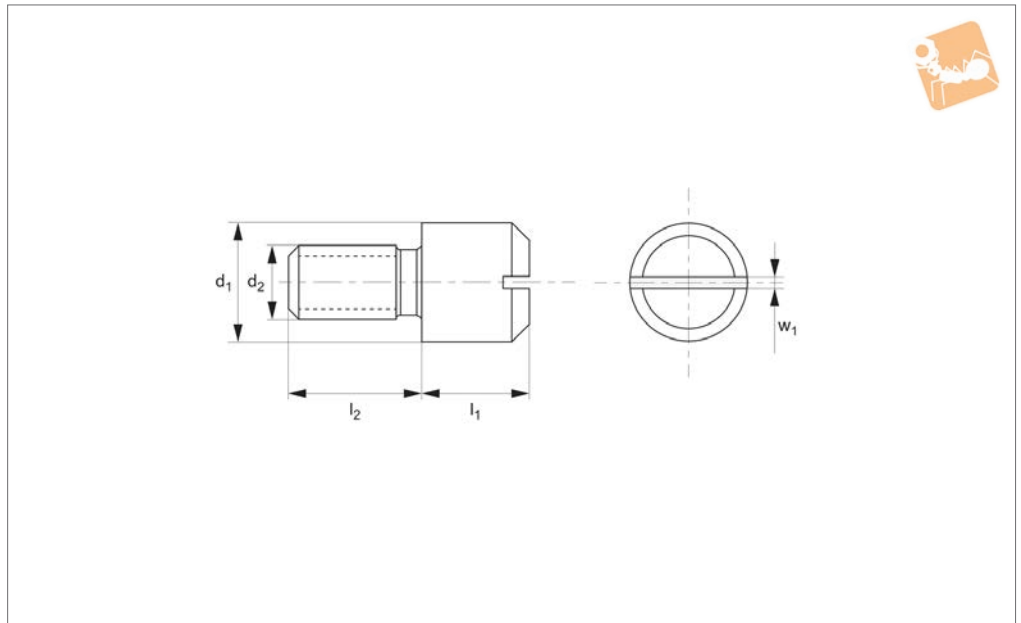
slot drive - 303 stainless



SHOULDER SCREWS



P0126.A2



Material

Austenitic stainless steel
(AISI 303, 1.4305)

Technical Notes

303 series stainless steel provides good resistance to corrosion.
It is mildly magnetic.

Special lengths and diameters produced to drawings.

l_1+l_2 tolerance js15.

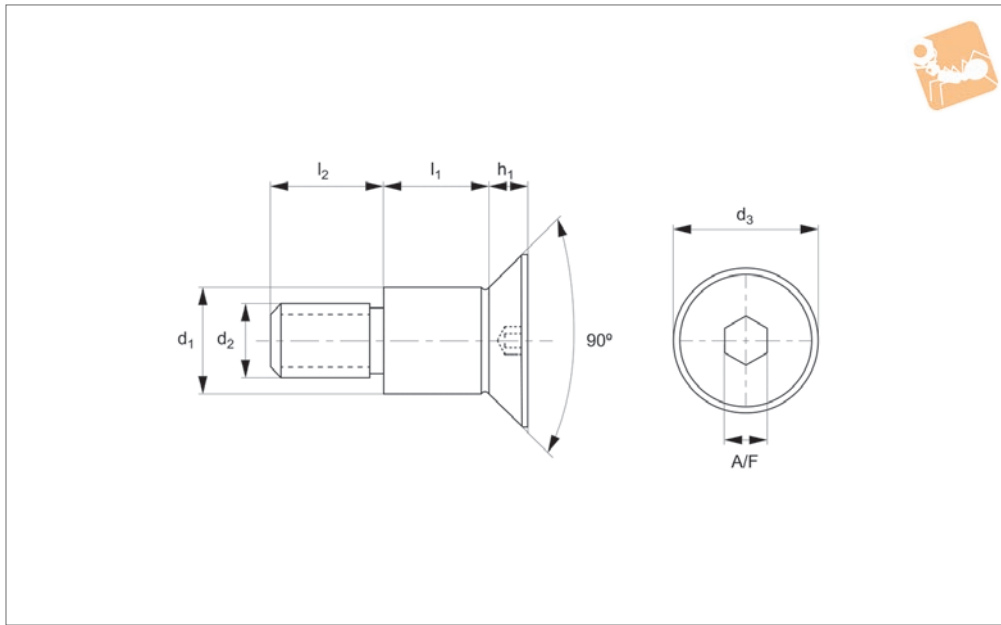
Order No.	d_1 h9	l_1	d_2	l_2 +0.3/-0.0	w_1
P0126.040-025-A2	4.0	2.5	M 3	4.5	0.5
P0126.040-030-A2	4.0	3.0	M 3	4.5	0.5
P0126.040-040-A2	4.0	4.0	M 3	4.5	0.5
P0126.040-050-A2	4.0	5.0	M 3	4.5	0.5
P0126.040-060-A2	4.0	6.0	M 3	4.5	0.5
P0126.055-030-A2	5.5	3.0	M 4	6.0	0.6
P0126.055-040-A2	5.5	4.0	M 4	6.0	0.6
P0126.055-050-A2	5.5	5.0	M 4	6.0	0.6
P0126.055-060-A2	5.5	6.0	M 4	6.0	0.6
P0126.055-080-A2	5.5	8.0	M 4	6.0	0.6
P0126.065-040-A2	6.5	4.0	M 5	7.0	0.8
P0126.065-050-A2	6.5	5.0	M 5	7.0	0.8
P0126.065-060-A2	6.5	6.0	M 5	7.0	0.8
P0126.065-080-A2	6.5	8.0	M 5	7.0	0.8
P0126.065-100-A2	6.5	10.0	M 5	7.0	0.8
P0126.080-040-A2	8.0	4.0	M 6	8.0	1.0
P0126.080-050-A2	8.0	5.0	M 6	8.0	1.0
P0126.080-060-A2	8.0	6.0	M 6	8.0	1.0
P0126.080-080-A2	8.0	8.0	M 6	8.0	1.0
P0126.080-100-A2	8.0	10.0	M 6	8.0	1.0



Shoulder Screws - Countersunk

hex drive - 303 stainless

Shoulder Screws



P0128.A2

SHOULDER SCREWS

Material

Stainless steel (AISI 303, 1.4305).
Tensile strength 550 N/mm².
Proof stress min. 190 N/mm², austenitic

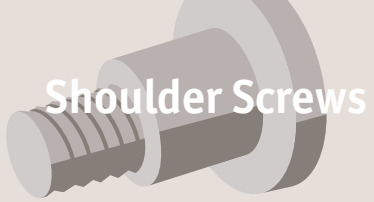
stainless steel.

Technical Notes

303 stainless steel provides good resi-

stance to corrosion. It is mildly magnetic.
Special lengths and diameters produced to drawings.

Order No.	d_1 +0.000 -0.025	l_1 +0.05 -0.00	d_2 tol. G6	d_3	l_2 +0.05 -0.00	h_1 +0.00 -0.05	A/F
P0128.040-010-A2	4	10	M 3	8	4	2.0	2
P0128.040-012-A2	4	12	M 3	8	4	2.0	2
P0128.040-014-A2	4	14	M 3	8	4	2.0	2
P0128.040-016-A2	4	16	M 3	8	4	2.0	2
P0128.040-018-A2	4	18	M 3	8	4	2.0	2
P0128.040-020-A2	4	20	M 3	8	4	2.0	2
P0128.040-025-A2	4	25	M 3	8	4	2.0	2
P0128.040-030-A2	4	30	M 3	8	4	2.0	2
P0128.050-010-A2	5	10	M 4	10	5	2.5	2.5
P0128.050-012-A2	5	12	M 4	10	5	2.5	2.5
P0128.050-016-A2	5	16	M 4	10	5	2.5	2.5
P0128.050-020-A2	5	20	M 4	10	5	2.5	2.5
P0128.050-025-A2	5	25	M 4	10	5	2.5	2.5
P0128.050-030-A2	5	30	M 4	10	5	2.5	2.5
P0128.050-035-A2	5	35	M 4	10	5	2.5	2.5
P0128.050-040-A2	5	40	M 4	10	5	2.5	2.5
P0128.060-010-A2	6	10	M 5	12	6	3.0	3
P0128.060-012-A2	6	12	M 5	12	6	3.0	3
P0128.060-016-A2	6	16	M 5	12	6	3.0	3
P0128.060-020-A2	6	20	M 5	12	6	3.0	3
P0128.060-025-A2	6	25	M 5	12	6	3.0	3
P0128.060-030-A2	6	30	M 5	12	6	3.0	3
P0128.060-035-A2	6	35	M 5	12	6	3.0	3
P0128.060-040-A2	6	40	M 5	12	6	3.0	3
P0128.080-010-A2	8	10	M 6	16	11	4.0	4
P0128.080-012-A2	8	12	M 6	16	11	4.0	4
P0128.080-016-A2	8	16	M 6	16	11	4.0	4
P0128.080-020-A2	8	20	M 6	16	11	4.0	4
P0128.080-025-A2	8	25	M 6	16	11	4.0	4
P0128.080-030-A2	8	30	M 6	16	11	4.0	4
P0128.080-035-A2	8	35	M 6	16	11	4.0	4
P0128.080-040-A2	8	40	M 6	16	11	4.0	4
P0128.100-012-A2	10	12	M 8	20	12	5.0	5
P0128.100-016-A2	10	16	M 8	20	12	5.0	5



Shoulder Screws

Shoulder Screws - Countersunk hex drive - 303 stainless



SHOULDER SCREWS

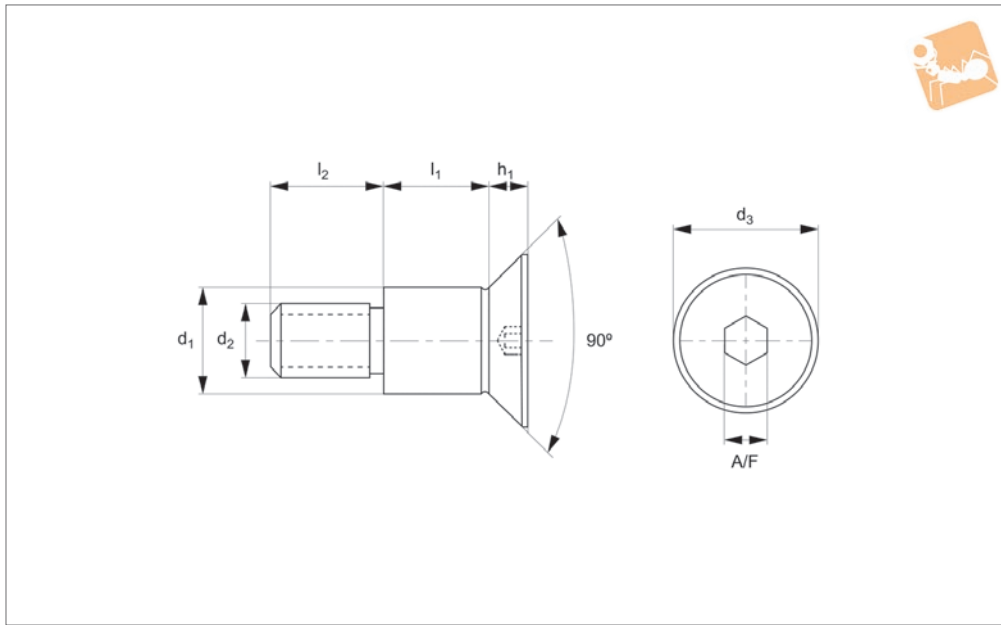
Order No.	d_1 +0.000 -0.025	l_1 +0.05 -0.00	d_2 tol. G6	d_3	l_2 +0.05 -0.00	h_1 +0.00 -0.05	A/F
P0128.100-020-A2	10	20	M 8	20	12	5.0	5
P0128.100-025-A2	10	25	M 8	20	12	5.0	5
P0128.100-030-A2	10	30	M 8	20	12	5.0	5
P0128.100-040-A2	10	40	M 8	20	12	5.0	5
P0128.100-050-A2	10	50	M 8	20	12	5.0	5
P0128.120-012-A2	12	12	M10	24	16	6.0	6
P0128.120-016-A2	12	16	M10	24	16	6.0	6
P0128.120-020-A2	12	20	M10	24	16	6.0	6
P0128.120-025-A2	12	25	M10	24	16	6.0	6
P0128.120-030-A2	12	30	M10	24	16	6.0	6
P0128.120-040-A2	12	40	M10	24	16	6.0	6
P0128.120-050-A2	12	50	M10	24	16	6.0	6



Shoulder Screws - Countersunk

hex drive - 316 stainless

Shoulder Screws



P0128.A4

SHOULDER SCREWS

Material

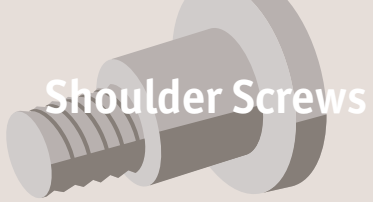
Stainless steel (AISI 316, 1.440).
Tensile strength 480 N/mm².
Proof stress min. 200 N/mm², austenitic stainless steel.

Technical Notes

316 Stainless provides excellent corrosion resistance for use in highly caustic or marine environments. For more standard applications please see our A2 range which

is more cost effective.
Non-magnetic.

Order No.	d_1 +0.000 -0.025	l_1 +0.05 -0.00	d_2 tol. G6	d_3	l_2 +0.05 -0.00	h_1 +0.00 -0.05	A/F
P0128.040-010-A4	4	10	M 3	8	4	2.0	2
P0128.040-012-A4	4	12	M 3	8	4	2.0	2
P0128.040-014-A4	4	14	M 3	8	4	2.0	2
P0128.040-016-A4	4	16	M 3	8	4	2.0	2
P0128.040-018-A4	4	18	M 3	8	4	2.0	2
P0128.040-020-A4	4	20	M 3	8	4	2.0	2
P0128.040-025-A4	4	25	M 3	8	4	2.0	2
P0128.040-030-A4	4	30	M 3	8	4	2.0	2
P0128.050-010-A4	5	10	M 4	10	5	2.5	2.5
P0128.050-012-A4	5	12	M 4	10	5	2.5	2.5
P0128.050-016-A4	5	16	M 4	10	5	2.5	2.5
P0128.050-020-A4	5	20	M 4	10	5	2.5	2.5
P0128.050-025-A4	5	25	M 4	10	5	2.5	2.5
P0128.050-030-A4	5	30	M 4	10	5	2.5	2.5
P0128.050-035-A4	5	35	M 4	10	5	2.5	2.5
P0128.050-040-A4	5	40	M 4	10	5	2.5	2.5
P0128.060-010-A4	6	10	M 5	12	6	3.0	3
P0128.060-012-A4	6	12	M 5	12	6	3.0	3
P0128.060-016-A4	6	16	M 5	12	6	3.0	3
P0128.060-020-A4	6	20	M 5	12	6	3.0	3
P0128.060-025-A4	6	25	M 5	12	6	3.0	3
P0128.060-030-A4	6	30	M 5	12	6	3.0	3
P0128.060-035-A4	6	35	M 5	12	6	3.0	3
P0128.060-040-A4	6	40	M 5	12	6	3.0	3
P0128.080-010-A4	8	10	M 6	16	11	4.0	4
P0128.080-012-A4	8	12	M 6	16	11	4.0	4
P0128.080-016-A4	8	16	M 6	16	11	4.0	4
P0128.080-020-A4	8	20	M 6	16	11	4.0	4
P0128.080-025-A4	8	25	M 6	16	11	4.0	4
P0128.080-030-A4	8	30	M 6	16	11	4.0	4
P0128.080-035-A4	8	35	M 6	16	11	4.0	4
P0128.080-040-A4	8	40	M 6	16	11	4.0	4
P0128.100-012-A4	10	12	M 8	20	12	5.0	5



Shoulder Screws

Shoulder Screws - Countersunk hex drive - 316 stainless



SHOULDER SCREWS

Order No.	d_1 +0.000 -0.025	l_1 +0.05 -0.00	d_2 tol. G6	d_3	l_2 +0.05 -0.00	h_1 +0.00 -0.05	A/F
P0128.100-016-A4	10	16	M 8	20	12	5.0	5
P0128.100-020-A4	10	20	M 8	20	12	5.0	5
P0128.100-025-A4	10	25	M 8	20	12	5.0	5
P0128.100-030-A4	10	30	M 8	20	12	5.0	5
P0128.100-040-A4	10	40	M 8	20	12	5.0	5
P0128.100-050-A4	10	50	M 8	20	12	5.0	5
P0128.120-012-A4	12	12	M10	24	16	6.0	6
P0128.120-016-A4	12	16	M10	24	16	6.0	6
P0128.120-020-A4	12	20	M10	24	16	6.0	6
P0128.120-025-A4	12	25	M10	24	16	6.0	6
P0128.120-030-A4	12	30	M10	24	16	6.0	6
P0128.120-040-A4	12	40	M10	24	16	6.0	6
P0128.120-050-A4	12	50	M10	24	16	6.0	6



Shoulder Nuts - Cap Head

hex drive - 303 stainless

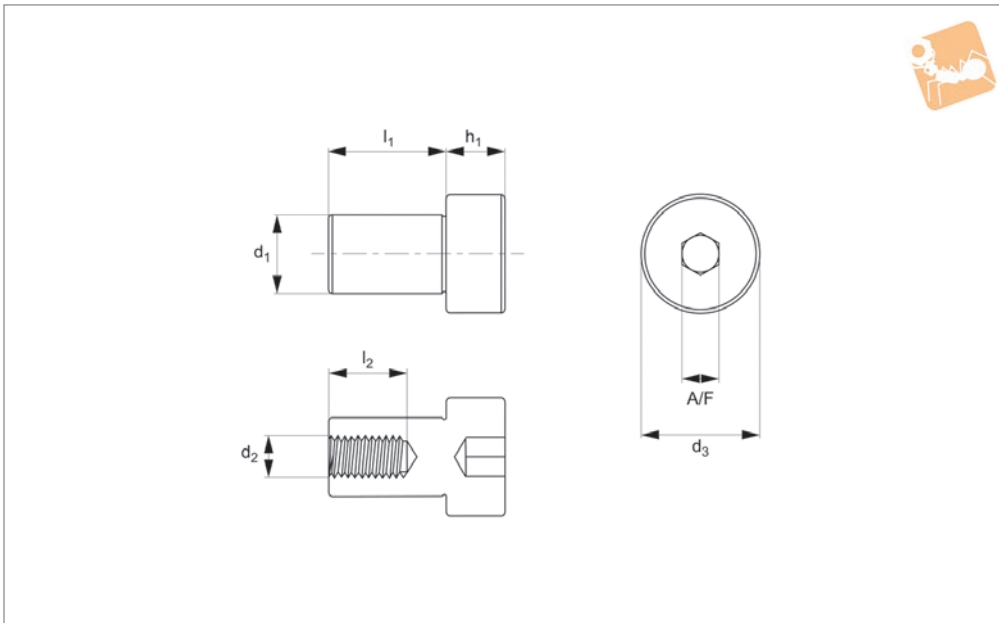
Shoulder Screws



P0127.A2

MADE IN BRITAIN

SHOULDER SCREWS



Material

Stainless steel (AISI 303, 1.4305).
Tensile strength 550 N/mm².
Proof stress min. 190 N/mm², austenitic

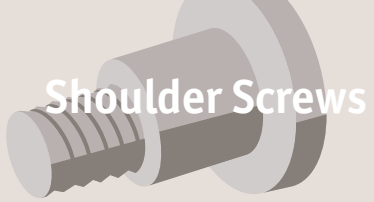
stainless steel.

Technical Notes

303 stainless steel provides good resi-

stance to corrosion, it is mildly magnetic.

Order No.	d ₁ +0.000 -0.025	l ₁ +0.05 -0.00	d ₂	d ₃	l ₂	h ₁	A/F
P0127.040-006-A2	4	6	M 2	6	4	3	2
P0127.040-008-A2	4	8	M 2	6	4	3	2
P0127.040-010-A2	4	10	M 2	6	4	3	2
P0127.040-012-A2	4	12	M 2	6	4	3	2
P0127.040-014-A2	4	14	M 2	6	4	3	2
P0127.040-016-A2	4	16	M 2	6	4	3	2
P0127.040-018-A2	4	18	M 2	6	4	3	2
P0127.040-020-A2	4	20	M 2	6	4	3	2
P0127.050-008-A2	5	8	M 2,5	8	5	4	2,5
P0127.050-010-A2	5	10	M 2,5	8	5	4	2,5
P0127.050-012-A2	5	12	M 2,5	8	5	4	2,5
P0127.050-016-A2	5	16	M 2,5	8	5	4	2,5
P0127.050-020-A2	5	20	M 2,5	8	5	4	2,5
P0127.050-025-A2	5	25	M 2,5	8	5	4	2,5
P0127.060-008-A2	6	8	M 3	10	6	5	3
P0127.060-010-A2	6	10	M 3	10	6	5	3
P0127.060-012-A2	6	12	M 3	10	6	5	3
P0127.060-016-A2	6	16	M 3	10	6	5	3
P0127.060-020-A2	6	20	M 3	10	6	5	3
P0127.060-025-A2	6	25	M 3	10	6	5	3
P0127.060-030-A2	6	30	M 3	10	6	5	3
P0127.060-040-A2	6	40	M 3	10	6	5	3
P0127.060-050-A2	6	50	M 3	10	6	5	3
P0127.080-016-A2	8	16	M 3,5	12	11	6	4
P0127.080-020-A2	8	20	M 3,5	12	11	6	4
P0127.080-025-A2	8	25	M 3,5	12	11	6	4
P0127.080-030-A2	8	30	M 3,5	12	11	6	4
P0127.080-040-A2	8	40	M 3,5	12	11	6	4
P0127.080-050-A2	8	50	M 3,5	12	11	6	4
P0127.100-016-A2	10	16	M 4	14	12	7	5
P0127.100-020-A2	10	20	M 4	14	12	7	5
P0127.100-025-A2	10	25	M 4	14	12	7	5
P0127.100-030-A2	10	30	M 4	14	12	7	5
P0127.100-040-A2	10	40	M 4	14	12	7	5



Shoulder Screws

Shoulder Nuts - Cap Head

hex drive - 303 stainless



Order No.	d_1 +0.000 -0.025	l_1 +0.05 -0.00	d_2	d_3	l_2	h_1	A/F
P0127.120-025-A2	12	25	M 5	20	16	8	6
P0127.120-030-A2	12	30	M 5	20	16	8	6
P0127.120-040-A2	12	40	M 5	20	16	8	6
P0127.120-050-A2	12	50	M 5	20	16	8	6

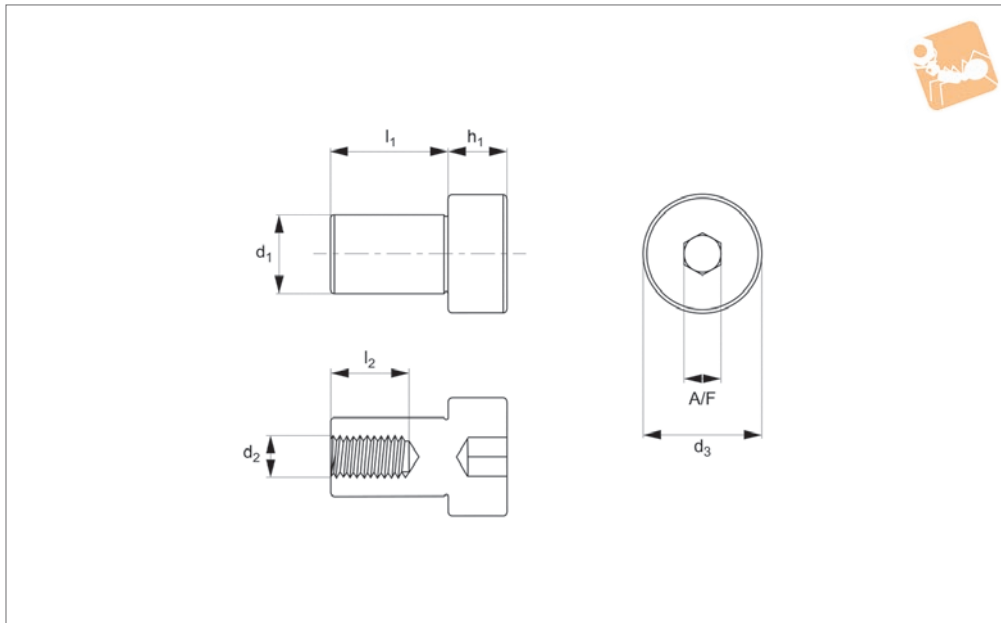
SHOULDER SCREWS



Shoulder Nuts - Cap Head

hex drive - 316 stainless

Shoulder Screws



P0127.A4

SHOULDER SCREWS

Material

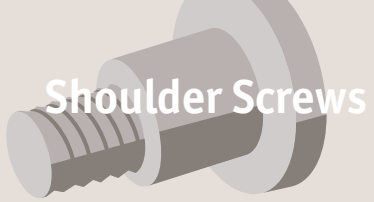
Stainless steel (AISI 316, 1.440).
Tensile strength 480 N/mm².
Proof stress min. 200 N/mm², austenitic stainless steel.

Technical Notes

316 stainless provides excellent corrosion resistance for use in highly caustic or marine environments and it is non-magnetic.

For more standard applications please see our A2 range which is more cost effective.

Order No.	d_1 +0.000 -0.025	l_1 +0.05 -0.00	d_2	d_3	l_2	h_1	A/F
P0127.040-006-A4	4	6	M 2	6	4	3	2
P0127.040-008-A4	4	8	M 2	6	4	3	2
P0127.040-010-A4	4	10	M 2	6	4	3	2
P0127.040-012-A4	4	12	M 2	6	4	3	2
P0127.040-014-A4	4	14	M 2	6	4	3	2
P0127.040-016-A4	4	16	M 2	6	4	3	2
P0127.040-018-A4	4	18	M 2	6	4	3	2
P0127.040-020-A4	4	20	M 2	6	4	3	2
P0127.050-008-A4	5	8	M 2,5	8	5	4	2,5
P0127.050-010-A4	5	10	M 2,5	8	5	4	2,5
P0127.050-012-A4	5	12	M 2,5	8	5	4	2,5
P0127.050-016-A4	5	16	M 2,5	8	5	4	2,5
P0127.050-020-A4	5	20	M 2,5	8	5	4	2,5
P0127.050-025-A4	5	25	M 2,5	8	5	4	2,5
P0127.060-008-A4	6	8	M 3	10	6	5	3
P0127.060-010-A4	6	10	M 3	10	6	5	3
P0127.060-012-A4	6	12	M 3	10	6	5	3
P0127.060-016-A4	6	16	M 3	10	6	5	3
P0127.060-020-A4	6	20	M 3	10	6	5	3
P0127.060-025-A4	6	25	M 3	10	6	5	3
P0127.060-030-A4	6	30	M 3	10	6	5	3
P0127.060-040-A4	6	40	M 3	10	6	5	3
P0127.060-050-A4	6	50	M 3	10	6	5	3
P0127.080-016-A4	8	16	M 3,5	12	11	6	4
P0127.080-020-A4	8	20	M 3,5	12	11	6	4
P0127.080-025-A4	8	25	M 3,5	12	11	6	4
P0127.080-030-A4	8	30	M 3,5	12	11	6	4
P0127.080-040-A4	8	40	M 3,5	12	11	6	4
P0127.080-050-A4	8	50	M 3,5	12	11	6	4
P0127.100-016-A4	10	16	M 4	14	12	7	5
P0127.100-020-A4	10	20	M 4	14	12	7	5
P0127.100-025-A4	10	25	M 4	14	12	7	5
P0127.100-030-A4	10	30	M 4	14	12	7	5



Shoulder Screws

Shoulder Nuts - Cap Head

hex drive - 316 stainless



Order No.	d_1 +0.000 -0.025	l_1 +0.05 -0.00	d_2	d_3	l_2	h_1	A/F
P0127.100-040-A4	10	40	M 4	14	12	7	5
P0127.120-025-A4	12	25	M 5	20	16	8	6
P0127.120-030-A4	12	30	M 5	20	16	8	6
P0127.120-040-A4	12	40	M 5	20	16	8	6
P0127.120-050-A4	12	50	M 5	20	16	8	6

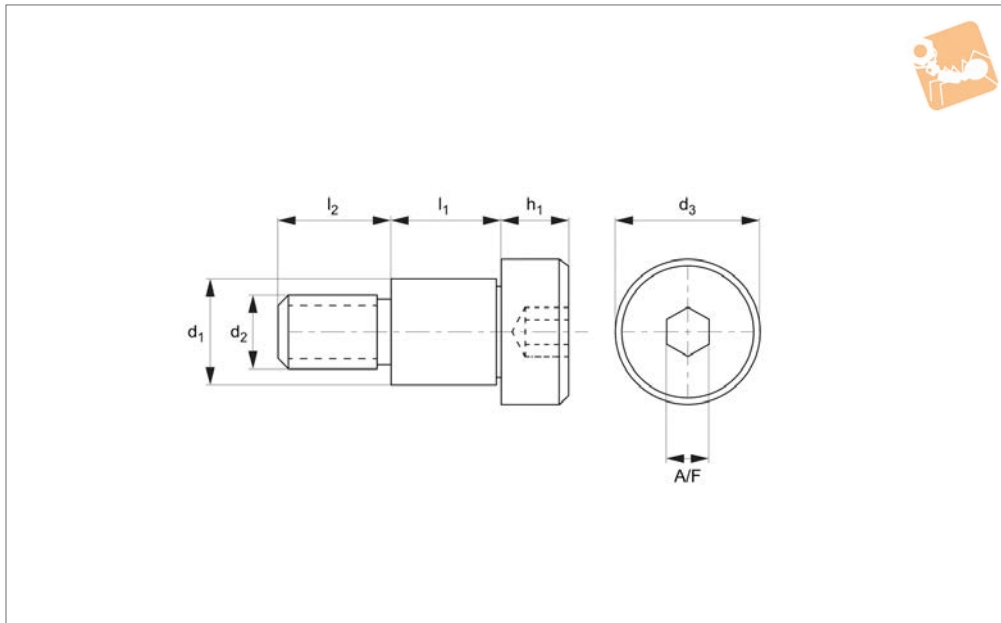
SHOULDER SCREWS



Shoulder Screws - Cap Head

hex drive - 416 stainless

Shoulder Screws



P0131

SHOULDER SCREWS

Material

Stainless steel (AISI 416, 1.4005). Tensile strength 650 N/mm². Proof stress min. 450 N/mm², martensitic stainless steel.

stronger grade of stainless steel than the 303 stainless alternatives. They are magnetic and slightly less resistant to corrosion than the 303 alternative (see P0130 or P0132).

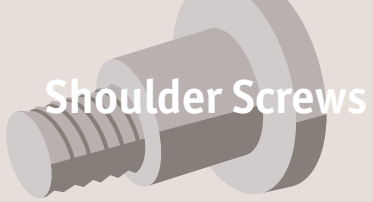
atmosphere, fresh water and mild alkalis and acids. Special lengths and diameters produced to drawings.

Technical Notes

Stainless steel 416 series is a harder,

For corrosion resistance it is suited to dry

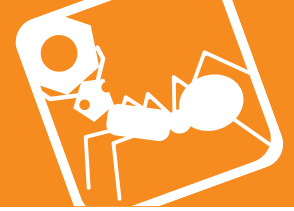
Order No.	d ₁ +0 -0.025	l ₁ +0.05 -0.0	d ₂	d ₃	l ₂	h ₁	A/F
P0131.040-004-A6	4	4	M 3	6	4	3	2
P0131.040-005-A6	4	5	M 3	6	4	3	2
P0131.040-006-A6	4	6	M 3	6	4	3	2
P0131.040-008-A6	4	8	M 3	6	4	3	2
P0131.040-010-A6	4	10	M 3	6	4	3	2
P0131.050-004-A6	5	4	M 4	8	5	4	2.5
P0131.050-005-A6	5	5	M 4	8	5	4	2.5
P0131.050-006-A6	5	6	M 4	8	5	4	2.5
P0131.050-008-A6	5	8	M 4	8	5	4	2.5
P0131.050-010-A6	5	10	M 4	8	5	4	2.5
P0131.050-012-A6	5	12	M 4	8	5	4	2.5
P0131.050-014-A6	5	14	M 4	8	5	4	2.5
P0131.050-016-A6	5	16	M 4	8	5	4	2.5
P0131.050-020-A6	5	20	M 4	8	5	4	2.5
P0131.050-025-A6	5	25	M 4	8	5	4	2.5
P0131.050-030-A6	5	30	M 4	8	5	4	2.5
P0131.060-004-A6	6	4	M 5	10	6	5	3
P0131.060-005-A6	6	5	M 5	10	6	5	3
P0131.060-006-A6	6	6	M 5	10	6	5	3
P0131.060-008-A6	6	8	M 5	10	6	5	3
P0131.060-010-A6	6	10	M 5	10	6	5	3
P0131.060-012-A6	6	12	M 5	10	6	5	3
P0131.060-014-A6	6	14	M 5	10	6	5	3
P0131.060-016-A6	6	16	M 5	10	6	5	3
P0131.060-020-A6	6	20	M 5	10	6	5	3
P0131.060-025-A6	6	25	M 5	10	6	5	3
P0131.060-030-A6	6	30	M 5	10	6	5	3
P0131.080-006-A6	8	6	M 6	12	11	6	4
P0131.080-008-A6	8	8	M 6	12	11	6	4
P0131.080-010-A6	8	10	M 6	12	11	6	4
P0131.080-012-A6	8	12	M 6	12	11	6	4



Shoulder Screws

Shoulder Screws - Cap Head

hex drive - 416 stainless



SHOULDER SCREWS

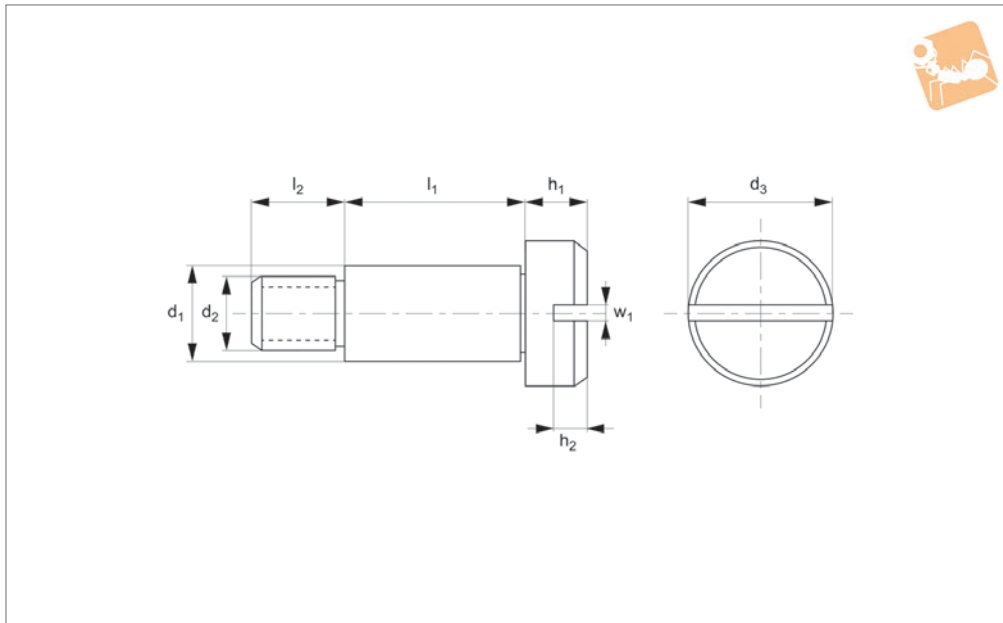
Order No.	d_1 +0 -0.025	l_1 +0.05 -0.0	d_2	d_3	l_2	h_1	A/F
P0131.080-014-A6	8	14	M 6	12	11	6	4
P0131.080-016-A6	8	16	M 6	12	11	6	4
P0131.080-020-A6	8	20	M 6	12	11	6	4
P0131.080-025-A6	8	25	M 6	12	11	6	4
P0131.080-030-A6	8	30	M 6	12	11	6	4
P0131.100-008-M6	10	8	M 6	14	11	6	4
P0131.100-010-M6	10	10	M 6	14	11	6	4
P0131.100-012-M6	10	12	M 6	14	11	6	4
P0131.100-016-M6	10	16	M 6	14	11	6	4
P0131.100-008-M8	10	8	M 8	14	12	7	5
P0131.100-010-M8	10	10	M 8	14	12	7	5
P0131.100-012-M8	10	12	M 8	14	12	7	5
P0131.100-016-M8	10	16	M 8	14	12	7	5
P0131.120-012-A6	12	12	M10	20	16	8	6
P0131.120-016-A6	12	16	M10	20	16	8	6
P0131.120-020-A6	12	20	M10	20	16	8	6
P0131.120-025-A6	12	25	M10	20	16	8	6
P0131.120-030-A6	12	30	M10	20	16	8	6



Shoulder Screw - Cap Head

slot drive - 303 stainless

Shoulder Screws



P0132.A2

SHOULDER SCREWS

Material

Stainless steel (AISI 303, 1.4305). Tensile strength 550 N/mm². Proof stress min. 190 N/mm², austenitic stainless steel.

Technical Notes

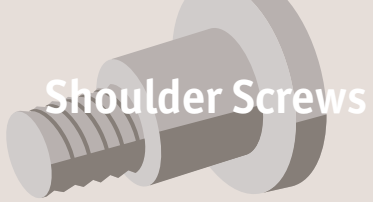
303 series stainless steel provides good

resistance to corrosion. It is mildly magnetic. screws are less expensive than the 416 steel grade (see part no. P0133), which are harder but less resistant to corrosion.

For Ø16 (and above) stainless steel

shoulder screws see part no. P0137. Special lengths and diameters produced to drawings.

Order No.	d ₁ +0 -0.025	l ₁ +0.05 -0.0	d ₂	d ₃	l ₂	h ₁	h ₂	w ₁
P0132.040-004-A2	4	4	M 3	6	4	3	0.9	0.8
P0132.040-005-A2	4	5	M 3	6	4	3	0.9	0.8
P0132.040-006-A2	4	6	M 3	6	4	3	0.9	0.8
P0132.040-008-A2	4	8	M 3	6	4	3	0.9	0.8
P0132.040-010-A2	4	10	M 3	6	4	3	0.9	0.8
P0132.040-012-A2	4	12	M 3	6	4	3	0.9	0.8
P0132.040-016-A2	4	16	M 3	6	4	3	0.9	0.8
P0132.040-020-A2	4	20	M 3	6	4	3	0.9	0.8
P0132.050-004-A2	5	4	M 4	8	5	4	1.2	1.0
P0132.050-005-A2	5	5	M 4	8	5	4	1.2	1.0
P0132.050-006-A2	5	6	M 4	8	5	4	1.2	1.0
P0132.050-008-A2	5	8	M 4	8	5	4	1.2	1.0
P0132.050-010-A2	5	10	M 4	8	5	4	1.2	1.0
P0132.050-012-A2	5	12	M 4	8	5	4	1.2	1.0
P0132.050-014-A2	5	14	M 4	8	5	4	1.2	1.0
P0132.050-016-A2	5	16	M 4	8	5	4	1.2	1.0
P0132.050-020-A2	5	20	M 4	8	5	4	1.2	1.0
P0132.050-025-A2	5	25	M 4	8	5	4	1.2	1.0
P0132.050-030-A2	5	30	M 4	8	5	4	1.2	1.0
P0132.060-004-A2	6	4	M 5	10	6	5	1.3	1.2
P0132.060-005-A2	6	5	M 5	10	6	5	1.3	1.2
P0132.060-006-A2	6	6	M 5	10	6	5	1.3	1.2
P0132.060-008-A2	6	8	M 5	10	6	5	1.3	1.2
P0132.060-010-A2	6	10	M 5	10	6	5	1.3	1.2
P0132.060-012-A2	6	12	M 5	10	6	5	1.3	1.2
P0132.060-014-A2	6	14	M 5	10	6	5	1.3	1.2
P0132.060-016-A2	6	16	M 5	10	6	5	1.3	1.2
P0132.060-020-A2	6	20	M 5	10	6	5	1.3	1.2
P0132.060-025-A2	6	25	M 5	10	6	5	1.3	1.2
P0132.060-030-A2	6	30	M 5	10	6	5	1.3	1.2
P0132.080-006-A2	8	6	M 6	12	11	6	1.5	1.6



Shoulder Screws

Shoulder Screw - Cap Head slot drive - 303 stainless



SHOULDER SCREWS

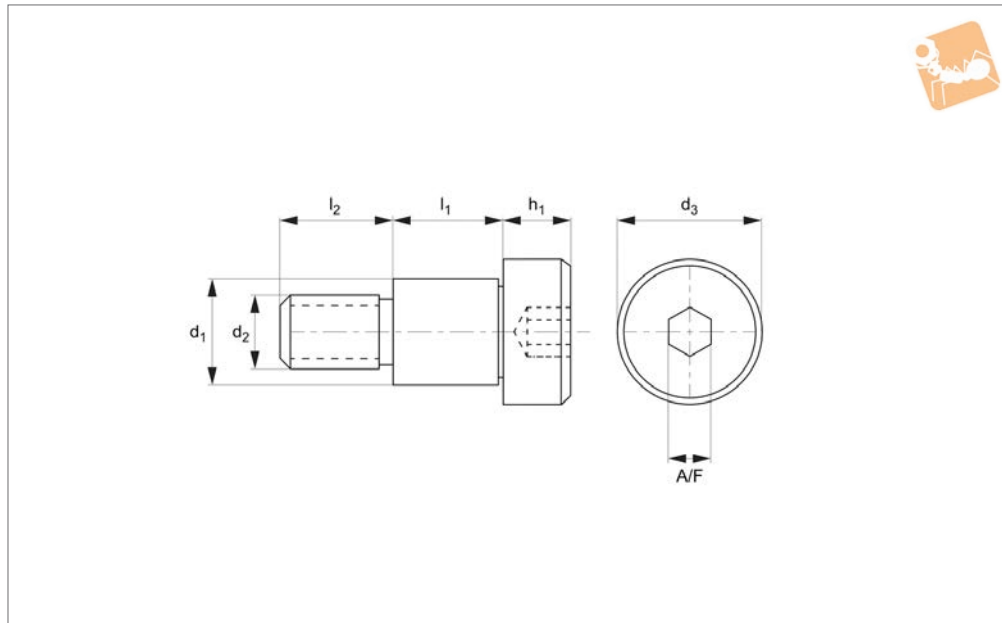
Order No.	d_1 +0 -0.025	l_1 +0.05 -0.0	d_2	d_3	l_2	h_1	h_2	w_1
P0132.080-008-A2	8	8	M 6	12	11	6	1.5	1.6
P0132.080-010-A2	8	10	M 6	12	11	6	1.5	1.6
P0132.080-012-A2	8	12	M 6	12	11	6	1.5	1.6
P0132.080-016-A2	8	16	M 6	12	11	6	1.5	1.6
P0132.080-020-A2	8	20	M 6	12	11	6	1.5	1.6
P0132.100-008-M6	10	8	M 6	14	11	6	1.5	1.6
P0132.100-012-M6	10	12	M 6	14	11	6	1.5	1.6
P0132.100-008-M8	10	8	M 8	14	12	7	1.9	2.0
P0132.100-010-M8	10	10	M 8	14	12	7	1.9	2.0
P0132.100-012-M8	10	12	M 8	14	12	7	1.9	2.0
P0132.100-016-M8	10	16	M 8	14	12	7	1.9	2.0
P0132.120-008-A2	12	8	M10	20	16	8	2.4	2.5
P0132.120-010-A2	12	10	M10	20	16	8	2.4	2.5
P0132.120-012-A2	12	12	M10	20	16	8	2.4	2.5
P0132.120-016-A2	12	16	M10	20	16	8	2.4	2.5
P0132.120-020-A2	12	20	M10	20	16	8	2.4	2.5
P0132.120-025-A2	12	25	M10	20	16	8	2.4	2.5



Inch Shoulder Screws - Cap Head

hex drive - 303 stainless

Shoulder Screws



P0130.i

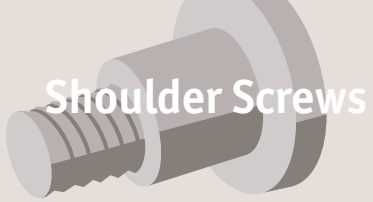
SHOULDER SCREWS

Material

Stainless steel (AISI 303, 1.4305).
Tensile strength 550 N/mm².

Proof stress min. 190 N/mm²,
austenitic stainless steel.

Order No.	d_1 +0 -0.001	l_1 +0.002 -0.000	d_2	d_3	l_2	h_1	A/F
P0130.125-012	(1/8") 0.1245	(1/8") 0.1255	#4-40 UNC	1/4"	5/32"	1/8"	5/64"
P0130.125-018	(1/8") 0.1245	(3/16") 0.1880	#4-40 UNC	1/4"	5/32"	1/8"	5/64"
P0130.125-025	(1/8") 0.1245	(1/4") 0.2505	#4-40 UNC	1/4"	5/32"	1/8"	5/64"
P0130.125-031	(1/8") 0.1245	(5/16") 0.3130	#4-40 UNC	1/4"	5/32"	1/8"	5/64"
P0130.125-037	(1/8") 0.1245	(3/8") 0.3755	#4-40 UNC	1/4"	5/32"	1/8"	5/64"
P0130.187-012	(3/16") 0.1870	(1/8") 0.1255	#8-32 UNC	5/16"	3/16"	5/32"	3/32"
P0130.187-018	(3/16") 0.1870	(3/16") 0.1880	#8-32 UNC	5/16"	3/16"	5/32"	3/32"
P0130.187-025	(3/16") 0.1870	(1/4") 0.2505	#8-32 UNC	5/16"	3/16"	5/32"	3/32"
P0130.187-031	(3/16") 0.1870	(5/16") 0.3130	#8-32 UNC	5/16"	3/16"	5/32"	3/32"
P0130.187-037	(3/16") 0.1870	(3/8") 0.3755	#8-32 UNC	5/16"	3/16"	5/32"	3/32"
P0130.187-050	(3/16") 0.1870	(1/2") 0.5005	#8-32 UNC	5/16"	3/16"	5/32"	3/32"
P0130.187-062	(3/16") 0.1870	(5/8") 0.6255	#8-32 UNC	5/16"	3/16"	5/32"	3/32"
P0130.187-075	(3/16") 0.1870	(3/4") 0.7505	#8-32 UNC	5/16"	3/16"	5/32"	3/32"
P0130.187-100	(3/16") 0.1870	(1") 1.0005	#8-32 UNC	5/16"	3/16"	5/32"	3/32"
P0130.187-125	(3/16") 0.1870	(1 1/4") 1.2505	#8-32 UNC	5/16"	3/16"	5/32"	3/32"
P0130.187-150	(3/16") 0.1870	(1 1/2") 1.5005	#8-32 UNC	5/16"	3/16"	5/32"	3/32"
P0130.250-012	(1/4") 0.2495	(1/8") 0.1255	#10-32 UNF	3/8"	1/4"	3/16"	1/8"
P0130.250-018	(1/4") 0.2495	(3/16") 0.1880	#10-32 UNF	3/8"	1/4"	3/16"	1/8"
P0130.250-025	(1/4") 0.2495	(1/4") 0.2505	#10-32 UNF	3/8"	1/4"	3/16"	1/8"
P0130.250-031	(1/4") 0.2495	(5/16") 0.3130	#10-32 UNF	3/8"	1/4"	3/16"	1/8"
P0130.250-037	(1/4") 0.2495	(3/8") 0.3755	#10-32 UNF	3/8"	1/4"	3/16"	1/8"
P0130.250-050	(1/4") 0.2495	(1/2") 0.5005	#10-32 UNF	3/8"	1/4"	3/16"	1/8"
P0130.250-062	(1/4") 0.2495	(5/8") 0.6255	#10-32 UNF	3/8"	1/4"	3/16"	1/8"
P0130.250-075	(1/4") 0.2495	(3/4") 0.7505	#10-32 UNF	3/8"	1/4"	3/16"	1/8"
P0130.250-100	(1/4") 0.2495	(1") 1.0005	#10-32 UNF	3/8"	1/4"	3/16"	1/8"
P0130.250-125	(1/4") 0.2495	(1 1/4") 1.2505	#10-32 UNF	3/8"	1/4"	3/16"	1/8"
P0130.250-150	(1/4") 0.2495	(1 1/2") 1.5005	#10-32 UNF	3/8"	1/4"	3/16"	1/8"
P0130.312-025	(5/16") 0.3120	(1/4") 0.2505	1/4-20 UNC	1/2"	7/16"	7/32"	5/32"
P0130.312-031	(5/16") 0.3120	(5/16") 0.3130	1/4-20 UNC	1/2"	7/16"	7/32"	5/32"
P0130.312-037	(5/16") 0.3120	(3/8") 0.3755	1/4-20 UNC	1/2"	7/16"	7/32"	5/32"
P0130.312-050	(5/16") 0.3120	(1/2") 0.5005	1/4-20 UNC	1/2"	7/16"	7/32"	5/32"
P0130.312-062	(5/16") 0.3120	(5/8") 0.6255	1/4-20 UNC	1/2"	7/16"	7/32"	5/32"
P0130.312-075	(5/16") 0.3120	(3/4") 0.7505	1/4-20 UNC	1/2"	7/16"	7/32"	5/32"
P0130.374-031	(3/8") 0.3745	(5/16") 0.3130	1/4-20 UNC	1/2"	7/16"	7/32"	5/32"



Shoulder Screws

Inch Shoulder Screws - Cap Head hex drive - 303 stainless



SHOULDER SCREWS

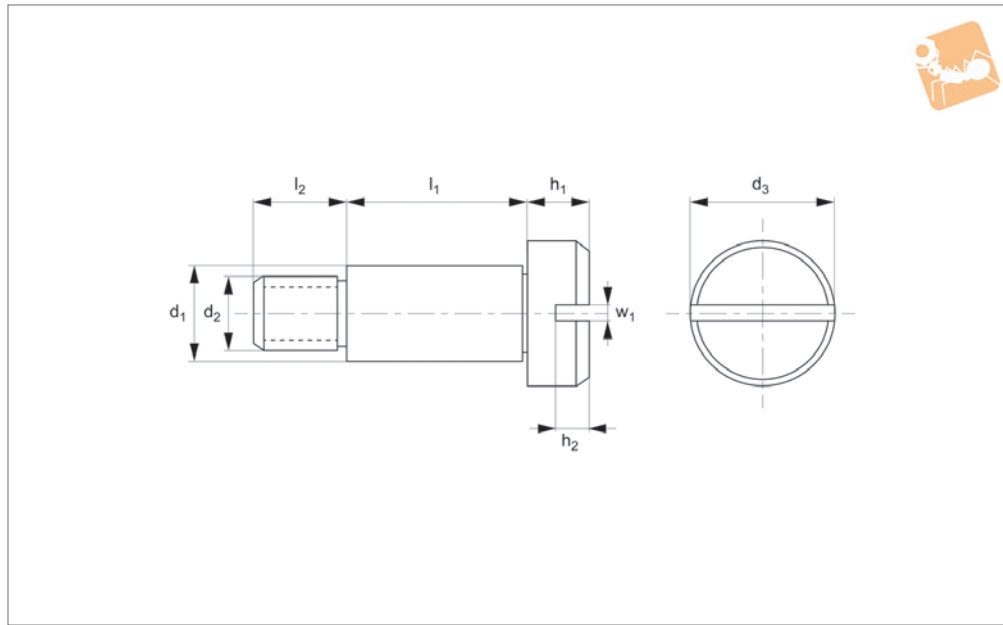
Order No.	d_1 +0 -0.001	l_1 +0.002 -0.000	d_2	d_3	l_2	h_1	A/F
P0130.374-037	(3/8") 0.3745	(3/8") 0.3755	1/4-20 UNC	1/2"	7/16"	7/32"	5/32"
P0130.374-050	(3/8") 0.3745	(1/2") 0.5005	1/4-20 UNC	1/2"	7/16"	7/32"	5/32"
P0130.374-062	(3/8") 0.3745	(5/8") 0.6255	1/4-20 UNC	1/2"	7/16"	7/32"	5/32"
P0130.375-031	(3/8") 0.3745	(5/16") 0.3130	5/6-18 UNC	9/16"	1/2"	1/4"	3/16"
P0130.375-037	(3/8") 0.3745	(3/8") 0.3755	5/6-18 UNC	9/16"	1/2"	1/4"	3/16"
P0130.375-050	(3/8") 0.3745	(1/2") 0.5005	5/6-18 UNC	9/16"	1/2"	1/4"	3/16"
P0130.375-062	(3/8") 0.3745	(5/8") 0.6255	5/6-18 UNC	9/16"	1/2"	1/4"	3/16"
P0130.500-050	(1/2") 0.4995	(1/2") 0.5005	3/8-16 UNC	3/4"	5/8"	5/16"	1/4"
P0130.500-062	(1/2") 0.4995	(5/8") 0.6255	3/8-16 UNC	3/4"	5/8"	5/16"	1/4"
P0130.500-075	(1/2") 0.4995	(3/4") 0.7505	3/8-16 UNC	3/4"	5/8"	5/16"	1/4"
P0130.500-100	(1/2") 0.4995	(1") 1.0005	3/8-16 UNC	3/4"	5/8"	5/16"	1/4"



Inch Shoulder Screws - Cap Head

slot drive - series 303 stainless

Shoulder Screws



P0132.i

SHOULDER SCREWS

Material

Stainless steel (AISI 303, 1.4305).
Tensile strength 550 N/mm². Proof stress min. 190 N/mm², austenitic stainless steel.

stance to corrosion and is non-magnetic. These 303 shoulder screws are less expensive than the 416 stainless steel grade versions (see part no. P0133), which are stronger and harder, but are magnetic.

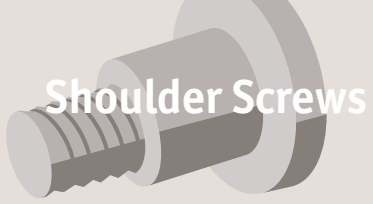
Tips

Typically used for food and pharmaceutical applications.
For Ø16 stainless steel shoulder screws see part no. P0137.

Technical Notes

303 stainless steel provides good resi-

Order No.	d_1 +0,-0.001	l_1 +0.002 -0.000	d_2	d_3	l_2	h_1
P0132.125-012	(1/8") 0,1245	(1/8") 0,1255	#4-40 UNC	1/4"	5/32"	1/8"
P0132.187-012	(3/16") 0,1870	(1/8") 0,1255	#8-32 UNC	5/16"	3/16"	5/32"
P0132.187-018	(3/16") 0,1870	(3/16") 0,1880	#8-32 UNC	5/16"	3/16"	5/32"
P0132.187-025	(3/16") 0,1870	(1/4") 0,2505	#8-32 UNC	5/16"	3/16"	5/32"
P0132.187-031	(3/16") 0,1870	(5/16") 0,3130	#8-32 UNC	5/16"	3/16"	5/32"
P0132.187-037	(3/16") 0,1870	(3/8") 0,3755	#8-32 UNC	5/16"	3/16"	5/32"
P0132.187-050	(3/16") 0,1870	(1/2") 0,5005	#8-32 UNC	5/16"	3/16"	5/32"
P0132.187-062	(3/16") 0,1870	(5/8") 0,6255	#8-32 UNC	5/16"	3/16"	5/32"
P0132.187-075	(3/16") 0,1870	(3/4") 0,7505	#8-32 UNC	5/16"	3/16"	5/32"
P0132.187-100	(3/16") 0,1870	(1") 1,0005	#8-32 UNC	5/16"	3/16"	5/32"
P0132.187-125	(3/16") 0,1870	(1 1/4") 1,2505	#8-32 UNC	5/16"	3/16"	5/32"
P0132.187-150	(3/16") 0,1870	(1 1/2") 1,5005	#8-32 UNC	5/16"	3/16"	5/32"
P0132.250-012	(1/4") 0,2495	(1/8") 0,1255	#10-32 UNF	3/8"	1/4"	3/16"
P0132.250-018	(1/4") 0,2495	(3/16") 0,1880	#10-32 UNF	3/8"	1/4"	3/16"
P0132.250-025	(1/4") 0,2495	(1/4") 0,2505	#10-32 UNF	3/8"	1/4"	3/16"
P0132.250-031	(1/4") 0,2495	(5/16") 0,3130	#10-32 UNF	3/8"	1/4"	3/16"
P0132.250-037	(1/4") 0,2495	(3/8") 0,3755	#10-32 UNF	3/8"	1/4"	3/16"
P0132.250-050	(1/4") 0,2495	(1/2") 0,5005	#10-32 UNF	3/8"	1/4"	3/16"
P0132.250-062	(1/4") 0,2495	(5/8") 0,6255	#10-32 UNF	3/8"	1/4"	3/16"
P0132.250-075	(1/4") 0,2495	(3/4") 0,7505	#10-32 UNF	3/8"	1/4"	3/16"
P0132.250-100	(1/4") 0,2495	(1") 1,0005	#10-32 UNF	3/8"	1/4"	3/16"
P0132.250-125	(1/4") 0,2495	(1 1/4") 1,2505	#10-32 UNF	3/8"	1/4"	3/16"
P0132.250-150	(1/4") 0,2495	(1 1/2") 1,5005	#10-32 UNF	3/8"	1/4"	3/16"
P0132.312-025	(5/16") 0,3120	(1/4") 0,2505	1/4-20 UNC	1/2"	7/16"	7/32"
P0132.312-031	(5/16") 0,3120	(5/16") 0,3130	1/4-20 UNC	1/2"	7/16"	7/32"
P0132.312-037	(5/16") 0,3120	(3/8") 0,3755	1/4-20 UNC	1/2"	7/16"	7/32"
P0132.312-050	(5/16") 0,3120	(1/2") 0,5005	1/4-20 UNC	1/2"	7/16"	7/32"
P0132.312-062	(5/16") 0,3120	(5/8") 0,6255	1/4-20 UNC	1/2"	7/16"	7/32"
P0132.312-075	(5/16") 0,3120	(3/4") 0,7505	1/4-20 UNC	1/2"	7/16"	7/32"
P0132.374-031	(3/8") 0,3745	(5/16") 0,3130	1/4-20 UNC	1/2"	7/16"	7/32"



Shoulder Screws

Inch Shoulder Screws - Cap Head slot drive - series 303 stainless



SHOULDER SCREWS

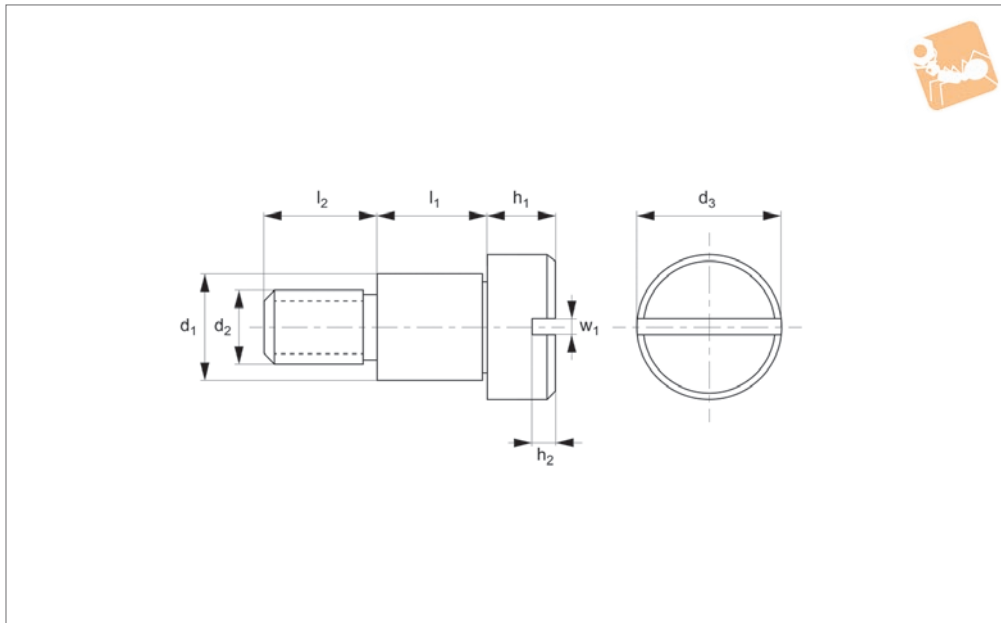
Order No.	d_1 +0,-0.001	l_1 +0.002 -0.000	d_2	d_3	l_2	h_1
P0132.374-037	(3/8") 0,3745	(3/8") 0,3755	1/4-20 UNC	1/2"	7/16"	7/32"
P0132.374-050	(3/8") 0,3745	(1/2") 0,5005	1/4-20 UNC	1/2"	7/16"	7/32"
P0132.374-062	(3/8") 0,3745	(5/8") 0,6255	1/4-20 UNC	1/2"	7/16"	7/32"
P0132.375-031	(3/8") 0,3745	(5/16") 0,3130	5/16-18 UNC	9/16"	1/2"	1/4"
P0132.375-037	(3/8") 0,3745	(3/8") 0,3755	5/16-18 UNC	9/16"	1/2"	1/4"
P0132.375-050	(3/8") 0,3745	(1/2") 0,5005	5/16-18 UNC	9/16"	1/2"	1/4"
P0132.375-062	(3/8") 0,3745	(5/8") 0,6255	5/16-18 UNC	9/16"	1/2"	1/4"
P0132.500-050	(1/2") 0,4995	(1/2") 0,5005	3/8-16 UNC	3/4"	5/8"	5/16"
P0132.500-062	(1/2") 0,4995	(5/8") 0,6255	3/8-16 UNC	3/4"	5/8"	5/16"
P0132.500-075	(1/2") 0,4995	(3/4") 0,7505	3/8-16 UNC	3/4"	5/8"	5/16"
P0132.500-100	(1/2") 0,4995	(1") 1,0005	3/8-16 UNC	3/4"	5/8"	5/16"



Shoulder Screws - Slot Head

slot drive - 416 stainless

Shoulder Screws



P0133

SHOULDER SCREWS

Material

Stainless steel (AISI 416, 1.4005). Tensile strength 650 N/mm². Proof stress min. 450 N/mm², martensitic stainless steel.

Technical Notes

Stainless steel 416 is a harder, stronger

grade of stainless steel than the 303 stainless alternatives.

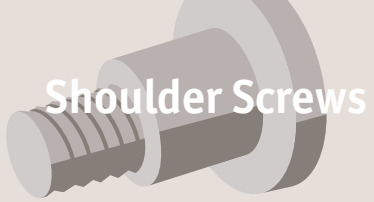
They are magnetic and slightly less resistant to corrosion than the 303 alternative (see P0130 or P0132).

For corrosion resistance it is suited to dry

atmosphere, fresh water and mild alkalis and acids.

Special lengths and diameters produced to drawings.

Order No.	d ₁ +0 -0.025	l ₁ +0.05 -0.0	d ₂	d ₃	l ₂	h ₁	h ₂	w ₁
P0133.040-004-A6	4	4	M 3	6	4	3	0.3	0.4
P0133.040-005-A6	4	5	M 3	6	4	3	0.3	0.4
P0133.040-006-A6	4	6	M 3	6	4	3	0.3	0.4
P0133.040-008-A6	4	8	M 3	6	4	3	0.3	0.4
P0133.040-010-A6	4	10	M 3	6	4	3	0.3	0.4
P0133.050-004-A6	5	4	M 4	8	5	4	0.9	0.8
P0133.050-005-A6	5	5	M 4	8	5	4	0.9	0.8
P0133.050-006-A6	5	6	M 4	8	5	4	0.9	0.8
P0133.050-008-A6	5	8	M 4	8	5	4	0.9	0.8
P0133.050-010-A6	5	10	M 4	8	5	4	0.9	0.8
P0133.050-012-A6	5	12	M 4	8	5	4	0.9	0.8
P0133.050-014-A6	5	14	M 4	8	5	4	0.9	0.8
P0133.050-016-A6	5	16	M 4	8	5	4	0.9	0.8
P0133.050-020-A6	5	20	M 4	8	5	4	0.9	0.8
P0133.050-030-A6	5	30	M 4	8	5	4	0.9	0.8
P0133.060-004-A6	6	4	M 5	10	6	5	1.2	1.0
P0133.060-005-A6	6	5	M 5	10	6	5	1.2	1.0
P0133.060-006-A6	6	6	M 5	10	6	5	1.2	1.0
P0133.060-008-A6	6	8	M 5	10	6	5	1.2	1.0
P0133.060-010-A6	6	10	M 5	10	6	5	1.2	1.0
P0133.060-014-A6	6	14	M 5	10	6	5	1.2	1.0
P0133.060-016-A6	6	16	M 5	10	6	5	1.2	1.0
P0133.060-020-A6	6	20	M 5	10	6	5	1.2	1.0
P0133.060-025-A6	6	25	M 5	10	6	5	1.2	1.0
P0133.060-030-A6	6	30	M 5	10	6	5	1.2	1.0
P0133.080-006-A6	8	6	M 6	12	11	6	1.3	1.2
P0133.080-008-A6	8	8	M 6	12	11	6	1.3	1.2
P0133.080-010-A6	8	10	M 6	12	11	6	1.3	1.2
P0133.080-012-A6	8	12	M 6	12	11	6	1.3	1.2
P0133.080-016-A6	8	16	M 6	12	11	6	1.3	1.2
P0133.100-008-M6	10	8	M 6	12	11	6	1.5	1.6



Shoulder Screws

Shoulder Screws - Slot Head slot drive - 416 stainless



Order No.	d ₁ +0 -0.025	l ₁ +0.05 -0.0	d ₂	d ₃	l ₂	h ₁	h ₂	w ₁
P0133.100-012-M6	10	12	M 6	12	11	6	1.5	1.6
P0133.100-016-M6	10	16	M 6	12	11	6	1.5	1.6
P0133.101-008-M8	10	8	M 8	14	12	7	1.9	2.0
P0133.101-012-M8	10	12	M 8	14	12	7	1.9	2.0
P0133.101-016-M8	10	16	M 8	14	12	7	1.9	2.0
P0133.120-012-A6	12	12	M10	20	16	8	2.4	2.5
P0133.120-016-A6	12	16	M10	20	16	8	2.4	2.5
P0133.120-025-A6	12	26	M10	20	16	8	2.4	2.5

SHOULDER SCREWS



Shoulder Screws - Hex. Socket Head

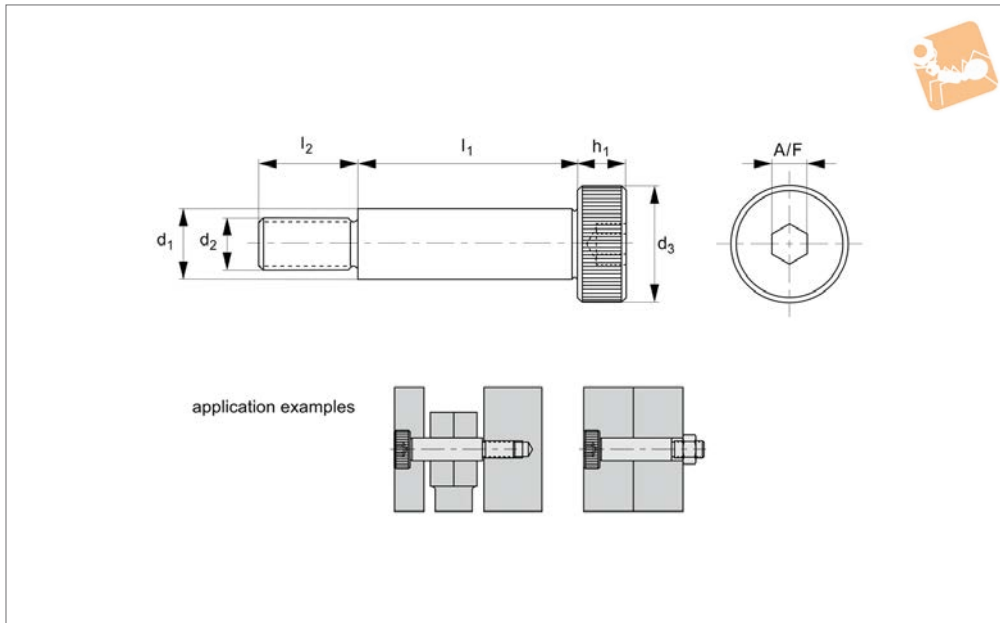
Large sizes A2 stainless

Shoulder Screws



P0137

SHOULDER SCREWS



Material

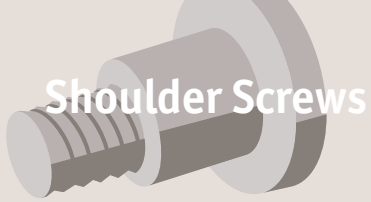
Stainless steel (A2, AISI 303).
Tensile strength 580 N/mm², yield strength 200 N/mm².

Technical Notes

To ISO 7379. These are generally larger sizes than the other stainless shoulder screws (P0130 and P0132). Straight knur-

ling on screw head.
Mildly magnetic.

Order No.	d ₁ tol. ±9	l ₁ +0.25	d ₂	d ₃	l ₂	h ₁	A/F
P0137.040-004-A2	4	4	M 3	7	7	3	2
P0137.040-005-A2	4	5	M 3	7	7	3	2
P0137.040-008-A2	4	8	M 3	7	7	3	2
P0137.040-010-A2	4	10	M 3	7	7	3	2
P0137.040-012-A2	4	12	M 3	7	7	3	2
P0137.040-016-A2	4	16	M 3	7	7	3	2
P0137.050-006-A2	5	6	M 4	9	8	4	2.5
P0137.050-008-A2	5	8	M 4	9	8	4	2.5
P0137.050-010-A2	5	10	M 4	9	8	4	2.5
P0137.050-012-A2	5	12	M 4	9	8	4	2.5
P0137.050-016-A2	5	16	M 4	9	8	4	2.5
P0137.050-020-A2	5	20	M 4	9	8	4	2.5
P0137.050-025-A2	5	25	M 4	9	8	4	2.5
P0137.050-030-A2	5	30	M 4	9	8	4	2.5
P0137.060-006-A2	6	6	M 5	10	9.5	4.5	3
P0137.060-008-A2	6	8	M 5	10	9.5	4.5	3
P0137.060-010-A2	6	10	M 5	10	9.5	4.5	3
P0137.060-012-A2	6	12	M 5	10	9.5	4.5	3
P0137.060-016-A2	6	16	M 5	10	9.5	4.5	3
P0137.060-020-A2	6	20	M 5	10	9.5	4.5	3
P0137.060-025-A2	6	25	M 5	10	9.5	4.5	3
P0137.060-030-A2	6	30	M 5	10	9.5	4.5	3
P0137.060-035-A2	6	35	M 5	10	9.5	4.5	3
P0137.060-040-A2	6	40	M 5	10	9.5	4.5	3
P0137.060-045-A2	6	45	M 5	10	9.5	4.5	3
P0137.060-050-A2	6	50	M 5	10	9.5	4.5	3
P0137.060-055-A2	6	55	M 5	10	9.5	4.5	3
P0137.060-060-A2	6	60	M 5	10	9.5	4.5	3
P0137.060-065-A2	6	65	M 5	10	9.5	4.5	3
P0137.060-070-A2	6	70	M 5	10	9.5	4.5	3
P0137.060-075-A2	6	75	M 5	10	9.5	4.5	3
P0137.060-080-A2	6	80	M 5	10	9.5	4.5	3
P0137.060-090-A2	6	90	M 5	10	9.5	4.5	3
P0137.060-100-A2	6	100	M 5	10	9.5	4.5	3



Shoulder Screws

Shoulder Screws - Hex. Socket Head

Large sizes A2 stainless



SHOULDER SCREWS

Order No.	d ₁ tol. f9	l ₁ +0.25	d ₂	d ₃	l ₂	h ₁	A/F
P0137.080-008-A2	8	8	M 6	13	11	5.5	4
P0137.080-010-A2	8	10	M 6	13	11	5.5	4
P0137.080-012-A2	8	12	M 6	13	11	5.5	4
P0137.080-016-A2	8	16	M 6	13	11	5.5	4
P0137.080-020-A2	8	20	M 6	13	11	5.5	4
P0137.080-025-A2	8	25	M 6	13	11	5.5	4
P0137.080-030-A2	8	30	M 6	13	11	5.5	4
P0137.080-035-A2	8	35	M 6	13	11	5.5	4
P0137.080-040-A2	8	40	M 6	13	11	5.5	4
P0137.080-045-A2	8	45	M 6	13	11	5.5	4
P0137.080-050-A2	8	50	M 6	13	11	5.5	4
P0137.080-055-A2	8	55	M 6	13	11	5.5	4
P0137.080-060-A2	8	60	M 6	13	11	5.5	4
P0137.080-065-A2	8	65	M 6	13	11	5.5	4
P0137.080-070-A2	8	70	M 6	13	11	5.5	4
P0137.080-075-A2	8	75	M 6	13	11	5.5	4
P0137.080-080-A2	8	80	M 6	13	11	5.5	4
P0137.080-090-A2	8	90	M 6	13	11	5.5	4
P0137.080-100-A2	8	100	M 6	13	11	5.5	4
P0137.100-010-A2	10	10	M 8	16	13	7	5
P0137.100-012-A2	10	12	M 8	16	13	7	5
P0137.100-016-A2	10	16	M 8	16	13	7	5
P0137.100-020-A2	10	20	M 8	16	13	7	5
P0137.100-025-A2	10	25	M 8	16	13	7	5
P0137.100-030-A2	10	30	M 8	16	13	7	5
P0137.100-035-A2	10	35	M 8	16	13	7	5
P0137.100-040-A2	10	40	M 8	16	13	7	5
P0137.100-045-A2	10	45	M 8	16	13	7	5
P0137.100-050-A2	10	50	M 8	16	13	7	5
P0137.100-055-A2	10	55	M 8	16	13	7	5
P0137.100-060-A2	10	60	M 8	16	13	7	5
P0137.100-065-A2	10	65	M 8	16	13	7	5
P0137.100-070-A2	10	70	M 8	16	13	7	5
P0137.100-075-A2	10	75	M 8	16	13	7	5
P0137.100-080-A2	10	80	M 8	16	13	7	5
P0137.100-090-A2	10	90	M 8	16	13	7	5
P0137.100-100-A2	10	100	M 8	16	13	7	5
P0137.120-016-A2	12	16	M10	18	16	9	6
P0137.120-020-A2	12	20	M10	18	16	9	6
P0137.120-025-A2	12	25	M10	18	16	9	6
P0137.120-030-A2	12	30	M10	18	16	9	6
P0137.120-035-A2	12	35	M10	18	16	9	6
P0137.120-040-A2	12	40	M10	18	16	9	6
P0137.120-045-A2	12	45	M10	18	16	9	6
P0137.120-050-A2	12	50	M10	18	16	9	6
P0137.120-055-A2	12	55	M10	18	16	9	6
P0137.120-060-A2	12	60	M10	18	16	9	6
P0137.120-065-A2	12	65	M10	18	16	9	6
P0137.120-070-A2	12	70	M10	18	16	9	6
P0137.120-075-A2	12	75	M10	18	16	9	6
P0137.120-080-A2	12	80	M10	18	16	9	6
P0137.120-090-A2	12	90	M10	18	16	9	6
P0137.120-100-A2	12	100	M10	18	16	9	6
P0137.160-025-A2	16	25	M12	24	18	11	8
P0137.160-030-A2	16	30	M12	24	18	11	8
P0137.160-035-A2	16	35	M12	24	18	11	8
P0137.160-040-A2	16	40	M12	24	18	11	8
P0137.160-045-A2	16	45	M12	24	18	11	8
P0137.160-050-A2	16	50	M12	24	18	11	8
P0137.160-055-A2	16	55	M12	24	18	11	8
P0137.160-060-A2	16	60	M12	24	18	11	8
P0137.160-065-A2	16	65	M12	24	18	11	8
P0137.160-070-A2	16	70	M12	24	18	11	8
P0137.160-075-A2	16	75	M12	24	18	11	8
P0137.160-080-A2	16	80	M12	24	18	11	8
P0137.160-090-A2	16	90	M12	24	18	11	8
P0137.160-100-A2	16	100	M12	24	18	11	8
P0137.200-030-A2	20	30	M16	30	22	14	10



Shoulder Screws - Hex. Socket Head

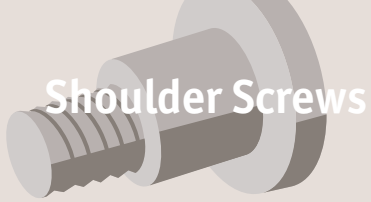
Large sizes A2 stainless

Shoulder Screws



Order No.	d_1 tol. f9	l_1 +0.25	d_2	d_3	l_2	h_1	A/F
P0137.200-035-A2	20	35	M16	30	22	14	10
P0137.200-040-A2	20	40	M16	30	22	14	10
P0137.200-045-A2	20	45	M16	30	22	14	10
P0137.200-050-A2	20	50	M16	30	22	14	10
P0137.200-055-A2	20	55	M16	30	22	14	10
P0137.200-060-A2	20	60	M16	30	22	14	10
P0137.200-065-A2	20	65	M16	30	22	14	10
P0137.200-070-A2	20	70	M16	30	22	14	10
P0137.200-075-A2	20	75	M16	30	22	14	10
P0137.200-080-A2	20	80	M16	30	22	14	10
P0137.200-090-A2	20	90	M16	30	22	14	10
P0137.200-100-A2	20	100	M16	30	22	14	10
P0137.200-120-A2	20	120	M16	30	22	14	10
P0137.200-140-A2	20	140	M16	30	22	14	10

SHOULDER SCREWS



Shoulder Screws

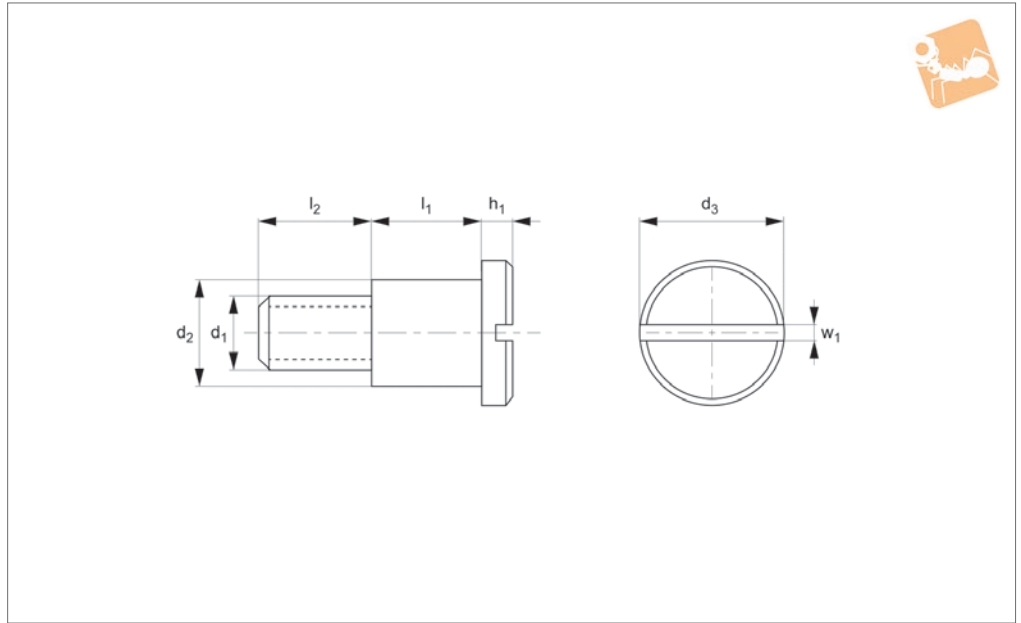
Pan Head Shoulder Screws A2 stainless



SHOULDER SCREWS



P0144.A2



Material

Stainless steel (A2, AISI 303).

Technical Notes

DIN 923. Mildly magnetic, available on request in A4 stainless steel.

Order No.	d ₁	l ₁	d ₂ tol. h9	d ₃	l ₂	h ₁	w ₁
P0144.030-003-A2	M3	3	4.0	7.0	4.5	1.8	0.8
P0144.030-004-A2	M3	4	4.0	7.0	4.5	1.8	0.8
P0144.030-005-A2	M3	5	4.0	7.0	4.5	1.8	0.8
P0144.030-006-A2	M3	6	4.0	7.0	4.5	1.8	0.8
P0144.030-008-A2	M3	8	4.0	7.0	4.5	1.8	0.8
P0144.030-010-A2	M3	10	4.0	7.0	4.5	1.8	0.8
P0144.030-012-A2	M3	12	4.0	7.0	4.5	1.8	0.8
P0144.040-003-A2	M4	3	5.5	8.5	6.0	2.4	1.0
P0144.040-004-A2	M4	4	5.5	8.5	6.0	2.4	1.0
P0144.040-005-A2	M4	5	5.5	8.5	6.0	2.4	1.0
P0144.040-006-A2	M4	6	5.5	8.5	6.0	2.4	1.0
P0144.040-008-A2	M4	8	5.5	8.5	6.0	2.4	1.0
P0144.040-010-A2	M4	10	5.5	8.5	6.0	2.4	1.0
P0144.040-012-A2	M4	12	5.5	8.5	6.0	2.4	1.0
P0144.040-016-A2	M4	16	5.5	8.5	6.0	2.4	1.0
P0144.040-020-A2	M4	20	5.5	8.5	6.0	2.4	1.0
P0144.050-003-A2	M5	3	7.0	11.0	7.0	2.7	1.2
P0144.050-004-A2	M5	4	7.0	11.0	7.0	2.7	1.2
P0144.050-005-A2	M5	5	7.0	11.0	7.0	2.7	1.2
P0144.050-006-A2	M5	6	7.0	11.0	7.0	2.7	1.2
P0144.050-008-A2	M5	8	7.0	11.0	7.0	2.7	1.2
P0144.050-010-A2	M5	10	7.0	11.0	7.0	2.7	1.2
P0144.050-012-A2	M5	12	7.0	11.0	7.0	2.7	1.2
P0144.050-016-A2	M5	16	7.0	11.0	7.0	2.7	1.2
P0144.050-020-A2	M5	20	7.0	11.0	7.0	2.7	1.2
P0144.060-003-A2	M6	3	8.0	13.0	9.0	3.1	1.6
P0144.060-004-A2	M6	4	8.0	13.0	9.0	3.1	1.6
P0144.060-005-A2	M6	5	8.0	13.0	9.0	3.1	1.6
P0144.060-006-A2	M6	6	8.0	13.0	9.0	3.1	1.6
P0144.060-008-A2	M6	8	8.0	13.0	9.0	3.1	1.6
P0144.060-010-A2	M6	10	8.0	13.0	9.0	3.1	1.6
P0144.060-012-A2	M6	12	8.0	13.0	9.0	3.1	1.6
P0144.060-016-A2	M6	16	8.0	13.0	9.0	3.1	1.6
P0144.060-020-A2	M6	20	8.0	13.0	9.0	3.1	1.6



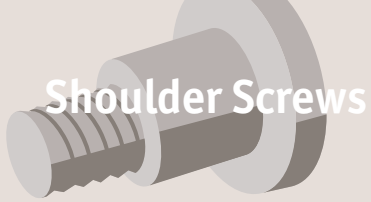
Pan Head Shoulder Screws

A2 stainless

Shoulder Screws



Order No.	d_1	l_1	d_2 tol. h9	d_3	l_2	h_1	w_1
P0144.080-006-A2	M8	6	10.0	16.0	11.0	3.8	2.0
P0144.080-008-A2	M8	8	10.0	16.0	11.0	3.8	2.0
P0144.080-010-A2	M8	10	10.0	16.0	11.0	3.8	2.0
P0144.080-012-A2	M8	12	10.0	16.0	11.0	3.8	2.0
P0144.080-016-A2	M8	16	10.0	16.0	11.0	3.8	2.0
P0144.080-020-A2	M8	20	10.0	16.0	11.0	3.8	2.0



Shoulder Screws

Shoulder Screws - Cap Head

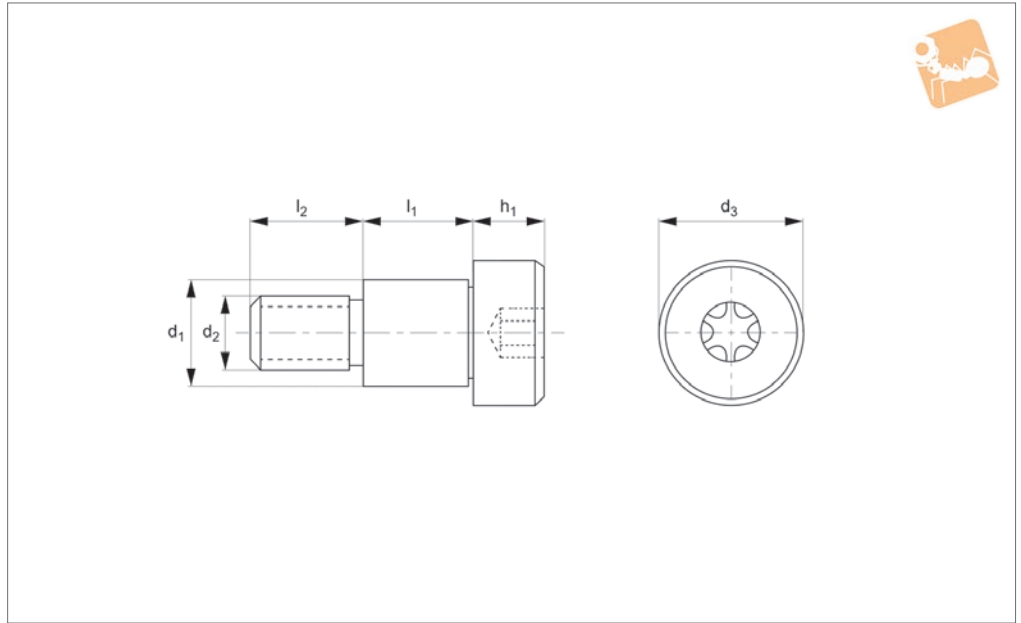
TX drive - 303 stainless



SHOULDER SCREWS



P0145.A2



Material

Stainless steel (AISI 303, 1.4305).
Tensile strength 550 N/mm².
Proof stress min. 190 N/mm², austenitic

stainless steel.

Technical Notes

303 series stainless steel provides good

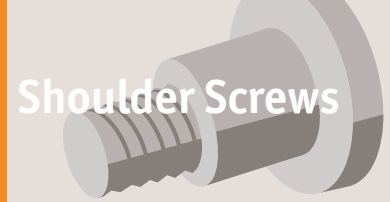
resistance to corrosion. It is mildly magnetic.

Order No.	d ₁ +0.0 -0.025	l ₁ +0.05 -0.0	d ₂	d ₃	l ₂	h ₁	TX size
P0145.040-002-A2	4	2	M 3	6	4	3	TX-10
P0145.040-003-A2	4	3	M 3	6	4	3	TX-10
P0145.040-004-A2	4	4	M 3	6	4	3	TX-10
P0145.040-005-A2	4	5	M 3	6	4	3	TX-10
P0145.040-006-A2	4	6	M 3	6	4	3	TX-10
P0145.040-007-A2	4	7	M 3	6	4	3	TX-10
P0145.040-008-A2	4	8	M 3	6	4	3	TX-10
P0145.040-010-A2	4	10	M 3	6	4	3	TX-10
P0145.040-012-A2	4	12	M 3	6	4	3	TX-10
P0145.040-014-A2	4	14	M 3	6	4	3	TX-10
P0145.040-016-A2	4	16	M 3	6	4	3	TX-10
P0145.040-018-A2	4	18	M 3	6	4	3	TX-10
P0145.040-020-A2	4	20	M 3	6	4	3	TX-10
P0145.040-025-A2	4	25	M 3	6	4	3	TX-10
P0145.040-030-A2	4	30	M 3	6	4	3	TX-10
P0145.040-035-A2	4	35	M 3	6	4	3	TX-10
P0145.040-040-A2	4	40	M 3	6	4	3	TX-10
P0145.040-045-A2	4	45	M 3	6	4	3	TX-10
P0145.040-050-A2	4	50	M 3	6	4	3	TX-10
P0145.050-002-A2	5	2	M 4	8	5	4	TX-20
P0145.050-003-A2	5	3	M 4	8	5	4	TX-20
P0145.050-004-A2	5	4	M 4	8	5	4	TX-20
P0145.050-005-A2	5	5	M 4	8	5	4	TX-20
P0145.050-006-A2	5	6	M 4	8	5	4	TX-20
P0145.050-007-A2	5	7	M 4	8	5	4	TX-20
P0145.050-008-A2	5	8	M 4	8	5	4	TX-20
P0145.050-010-A2	5	10	M 4	8	5	4	TX-20
P0145.050-012-A2	5	12	M 4	8	5	4	TX-20
P0145.050-014-A2	5	14	M 4	8	5	4	TX-20
P0145.050-016-A2	5	16	M 4	8	5	4	TX-20
P0145.050-018-A2	5	18	M 4	8	5	4	TX-20
P0145.050-020-A2	5	20	M 4	8	5	4	TX-20
P0145.050-025-A2	5	25	M 4	8	5	4	TX-20
P0145.050-030-A2	5	30	M 4	8	5	4	TX-20



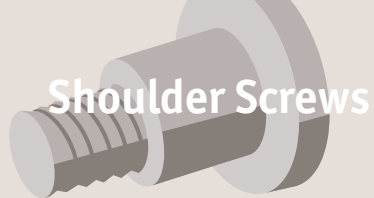
Shoulder Screws - Cap Head

TX drive - 303 stainless



Order No.	d ₁ +0.0 -0.025	l ₁ +0.05 -0.0	d ₂	d ₃	l ₂	h ₁	TX size
P0145.050-035-A2	5	35	M 4	8	5	4	TX-20
P0145.050-040-A2	5	40	M 4	8	5	4	TX-20
P0145.050-045-A2	5	45	M 4	8	5	4	TX-20
P0145.050-050-A2	5	50	M 4	8	5	4	TX-20
P0145.060-002-A2	6	2	M 5	10	6	5	TX-25
P0145.060-003-A2	6	3	M 5	10	6	5	TX-25
P0145.060-004-A2	6	4	M 5	10	6	5	TX-25
P0145.060-005-A2	6	5	M 5	10	6	5	TX-25
P0145.060-006-A2	6	6	M 5	10	6	5	TX-25
P0145.060-007-A2	6	7	M 5	10	6	5	TX-25
P0145.060-008-A2	6	8	M 5	10	6	5	TX-25
P0145.060-010-A2	6	10	M 5	10	6	5	TX-25
P0145.060-012-A2	6	12	M 5	10	6	5	TX-25
P0145.060-014-A2	6	14	M 5	10	6	5	TX-25
P0145.060-016-A2	6	16	M 5	10	6	5	TX-25
P0145.060-018-A2	6	18	M 5	10	6	5	TX-25
P0145.060-020-A2	6	20	M 5	10	6	5	TX-25
P0145.060-025-A2	6	25	M 5	10	6	5	TX-25
P0145.060-030-A2	6	30	M 5	10	6	5	TX-25
P0145.060-035-A2	6	35	M 5	10	6	5	TX-25
P0145.060-040-A2	6	40	M 5	10	6	5	TX-25
P0145.060-045-A2	6	45	M 5	10	6	5	TX-25
P0145.060-050-A2	6	50	M 5	10	6	5	TX-25
P0145.060-055-A2	6	55	M 5	10	6	5	TX-25
P0145.060-060-A2	6	60	M 5	10	6	5	TX-25
P0145.060-070-A2	6	70	M 5	10	6	5	TX-25
P0145.060-080-A2	6	80	M 5	10	6	5	TX-25
P0145.060-090-A2	6	90	M 5	10	6	5	TX-25
P0145.060-100-A2	6	100	M 5	10	6	5	TX-25
P0145.080-004-A2	8	4	M 6	12	11	6	TX-30
P0145.080-005-A2	8	5	M 6	12	11	6	TX-30
P0145.080-006-A2	8	6	M 6	12	11	6	TX-30
P0145.080-007-A2	8	7	M 6	12	11	6	TX-30
P0145.080-008-A2	8	8	M 6	12	11	6	TX-30
P0145.080-010-A2	8	10	M 6	12	11	6	TX-30
P0145.080-012-A2	8	12	M 6	12	11	6	TX-30
P0145.080-014-A2	8	14	M 6	12	11	6	TX-30
P0145.080-016-A2	8	16	M 6	12	11	6	TX-30
P0145.080-018-A2	8	18	M 6	12	11	6	TX-30
P0145.080-020-A2	8	20	M 6	12	11	6	TX-30
P0145.080-025-A2	8	25	M 6	12	11	6	TX-30
P0145.080-030-A2	8	30	M 6	12	11	6	TX-30
P0145.080-035-A2	8	35	M 6	12	11	6	TX-30
P0145.080-040-A2	8	40	M 6	12	11	6	TX-30
P0145.080-045-A2	8	45	M 6	12	11	6	TX-30
P0145.080-050-A2	8	50	M 6	12	11	6	TX-30
P0145.080-055-A2	8	55	M 6	12	11	6	TX-30
P0145.080-060-A2	8	60	M 6	12	11	6	TX-30
P0145.080-065-A2	8	65	M 6	12	11	6	TX-30
P0145.080-070-A2	8	70	M 6	12	11	6	TX-30
P0145.080-075-A2	8	75	M 6	12	11	6	TX-30
P0145.080-080-A2	8	80	M 6	12	11	6	TX-30
P0145.080-090-A2	8	90	M 6	12	11	6	TX-30
P0145.080-100-A2	8	100	M 6	12	11	6	TX-30
P0145.100-008-A2	10	8	M 8	14	12	7	TX-45
P0145.100-010-A2	10	10	M 8	14	12	7	TX-45
P0145.100-012-A2	10	12	M 8	14	12	7	TX-45
P0145.100-014-A2	10	14	M 8	14	12	7	TX-45
P0145.100-016-A2	10	16	M 8	14	12	7	TX-45
P0145.100-018-A2	10	18	M 8	14	12	7	TX-45
P0145.100-020-A2	10	20	M 8	14	12	7	TX-45
P0145.100-025-A2	10	25	M 8	14	12	7	TX-45
P0145.100-030-A2	10	30	M 8	14	12	7	TX-45
P0145.100-035-A2	10	35	M 8	14	12	7	TX-45
P0145.100-040-A2	10	40	M 8	14	12	7	TX-45
P0145.100-045-A2	10	45	M 8	14	12	7	TX-45
P0145.100-050-A2	10	50	M 8	14	12	7	TX-45
P0145.100-055-A2	10	55	M 8	14	12	7	TX-45

SHOULDER SCREWS



Shoulder Screws

Shoulder Screws - Cap Head

TX drive - 303 stainless



SHOULDER SCREWS

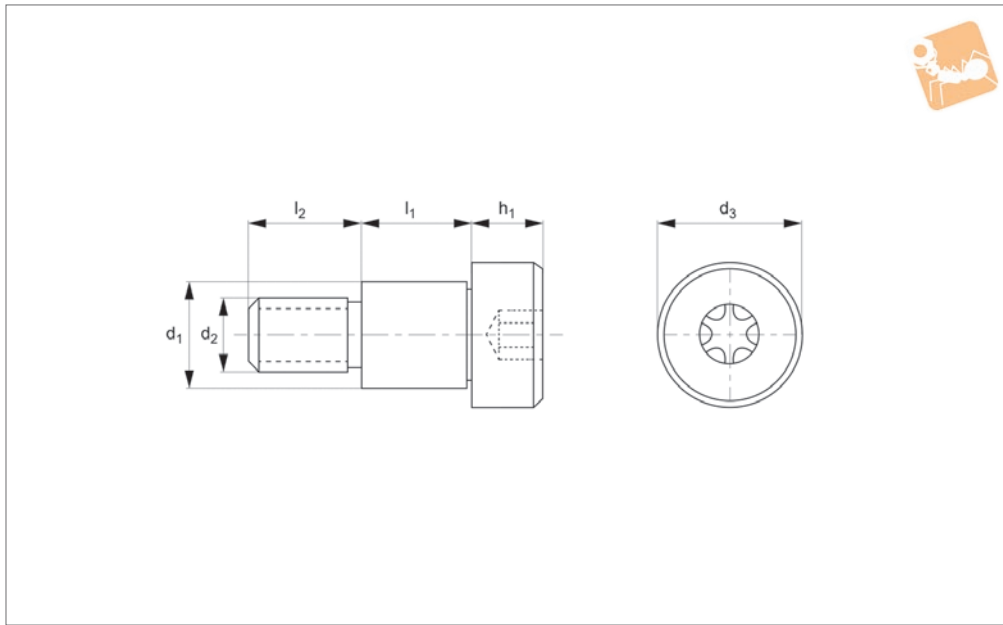
Order No.	d ₁ +0.0 -0.025	l ₁ +0.05 -0.0	d ₂	d ₃	l ₂	h ₁	TX size
P0145.100-060-A2	10	60	M 8	14	12	7	TX-45
P0145.100-065-A2	10	65	M 8	14	12	7	TX-45
P0145.100-070-A2	10	70	M 8	14	12	7	TX-45
P0145.100-080-A2	10	80	M 8	14	12	7	TX-45
P0145.100-090-A2	10	90	M 8	14	12	7	TX-45
P0145.100-100-A2	10	100	M 8	14	12	7	TX-45
P0145.120-008-A2	12	8	M10	20	16	8	TX-50
P0145.120-010-A2	12	10	M10	20	16	8	TX-50
P0145.120-012-A2	12	12	M10	20	16	8	TX-50
P0145.120-014-A2	12	14	M10	20	16	8	TX-50
P0145.120-016-A2	12	16	M10	20	16	8	TX-50
P0145.120-018-A2	12	18	M10	20	16	8	TX-50
P0145.120-020-A2	12	20	M10	20	16	8	TX-50
P0145.120-025-A2	12	25	M10	20	16	8	TX-50
P0145.120-030-A2	12	30	M10	20	16	8	TX-50
P0145.120-035-A2	12	35	M10	20	16	8	TX-50
P0145.120-040-A2	12	40	M10	20	16	8	TX-50
P0145.120-045-A2	12	45	M10	20	16	8	TX-50
P0145.120-050-A2	12	50	M10	20	16	8	TX-50
P0145.120-055-A2	12	55	M10	20	16	8	TX-50
P0145.120-060-A2	12	60	M10	20	16	8	TX-50
P0145.120-065-A2	12	65	M10	20	16	8	TX-50
P0145.120-070-A2	12	70	M10	20	16	8	TX-50
P0145.120-075-A2	12	75	M10	20	16	8	TX-50
P0145.120-080-A2	12	80	M10	20	16	8	TX-50
P0145.120-090-A2	12	90	M10	20	16	8	TX-50
P0145.120-100-A2	12	100	M10	20	16	8	TX-50
P0145.160-025-A2	16	25	M12	24	18	11	TX-60
P0145.160-030-A2	16	30	M12	24	18	11	TX-60
P0145.160-035-A2	16	35	M12	24	18	11	TX-60
P0145.160-040-A2	16	40	M12	24	18	11	TX-60
P0145.160-045-A2	16	45	M12	24	18	11	TX-60
P0145.160-050-A2	16	50	M12	24	18	11	TX-60
P0145.160-055-A2	16	55	M12	24	18	11	TX-60
P0145.160-060-A2	16	60	M12	24	18	11	TX-60
P0145.160-065-A2	16	65	M12	24	18	11	TX-60
P0145.160-070-A2	16	70	M12	24	18	11	TX-60
P0145.160-075-A2	16	75	M12	24	18	11	TX-60
P0145.160-080-A2	16	80	M12	24	18	11	TX-60
P0145.160-090-A2	16	90	M12	24	18	11	TX-60
P0145.160-100-A2	16	100	M12	24	18	11	TX-60
P0145.200-030-A2	20	30	M16	30	22	14	TX-70
P0145.200-035-A2	20	35	M16	30	22	14	TX-70
P0145.200-040-A2	20	40	M16	30	22	14	TX-70
P0145.200-045-A2	20	45	M16	30	22	14	TX-70
P0145.200-050-A2	20	50	M16	30	22	14	TX-70
P0145.200-055-A2	20	55	M16	30	22	14	TX-70
P0145.200-060-A2	20	60	M16	30	22	14	TX-70
P0145.200-065-A2	20	65	M16	30	22	14	TX-70
P0145.200-070-A2	20	70	M16	30	22	14	TX-70
P0145.200-075-A2	20	75	M16	30	22	14	TX-70
P0145.200-080-A2	20	80	M16	30	22	14	TX-70
P0145.200-090-A2	20	90	M16	30	22	14	TX-70
P0145.200-100-A2	20	100	M16	30	22	14	TX-70



Shoulder Screws - Cap Head

TX drive - 316 stainless

Shoulder Screws



P0145.A4

SHOULDER SCREWS

Material

Stainless steel (AISI 316, 1.440).
316 series tensile strength 480 N/mm²,
proof stress min. 200 N/mm², austenitic

stainless steel.

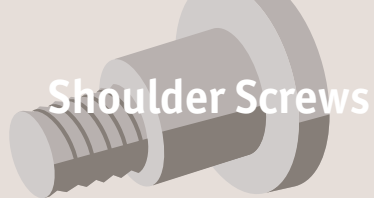
Technical Notes

Highly resistant to corrosion (including

from salt water).

Shim washers can be used to reduce
shoulder length if required. It is non-
magnetic.

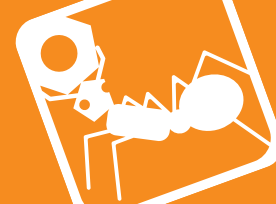
Order No.	d ₁ +0 -0.025	l ₁ +0.05 -0.0	d ₂	d ₃	l ₂	h ₁	TX size
P0145.040-002-A4	4	2	M 3	6	4	3	TX-10
P0145.040-003-A4	4	3	M 3	6	4	3	TX-10
P0145.040-004-A4	4	4	M 3	6	4	3	TX-10
P0145.040-005-A4	4	5	M 3	6	4	3	TX-10
P0145.040-006-A4	4	6	M 3	6	4	3	TX-10
P0145.040-007-A4	4	7	M 3	6	4	3	TX-10
P0145.040-008-A4	4	8	M 3	6	4	3	TX-10
P0145.040-010-A4	4	10	M 3	6	4	3	TX-10
P0145.040-012-A4	4	12	M 3	6	4	3	TX-10
P0145.040-014-A4	4	14	M 3	6	4	3	TX-10
P0145.040-016-A4	4	16	M 3	6	4	3	TX-10
P0145.040-018-A4	4	18	M 3	6	4	3	TX-10
P0145.040-020-A4	4	20	M 3	6	4	3	TX-10
P0145.040-025-A4	4	25	M 3	6	4	3	TX-10
P0145.040-030-A4	4	30	M 3	6	4	3	TX-10
P0145.040-035-A4	4	35	M 3	6	4	3	TX-10
P0145.040-040-A4	4	40	M 3	6	4	3	TX-10
P0145.040-045-A4	4	45	M 3	6	4	3	TX-10
P0145.040-050-A4	4	50	M 3	6	4	3	TX-10
P0145.050-002-A4	5	2	M 4	8	5	4	TX-20
P0145.050-003-A4	5	3	M 4	8	5	4	TX-20
P0145.050-004-A4	5	4	M 4	8	5	4	TX-20
P0145.050-005-A4	5	5	M 4	8	5	4	TX-20
P0145.050-006-A4	5	6	M 4	8	5	4	TX-20
P0145.050-007-A4	5	7	M 4	8	5	4	TX-20
P0145.050-008-A4	5	8	M 4	8	5	4	TX-20
P0145.050-010-A4	5	10	M 4	8	5	4	TX-20
P0145.050-012-A4	5	12	M 4	8	5	4	TX-20
P0145.050-014-A4	5	14	M 4	8	5	4	TX-20
P0145.050-016-A4	5	16	M 4	8	5	4	TX-20
P0145.050-018-A4	5	18	M 4	8	5	4	TX-20
P0145.050-020-A4	5	20	M 4	8	5	4	TX-20
P0145.050-025-A4	5	25	M 4	8	5	4	TX-20
P0145.050-030-A4	5	30	M 4	8	5	4	TX-20



Shoulder Screws

Shoulder Screws - Cap Head

TX drive - 316 stainless



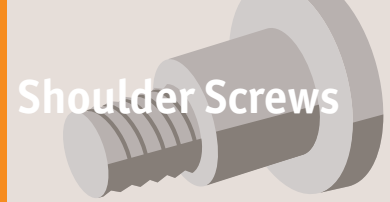
SHOULDER SCREWS

Order No.	d ₁ +0 -0.025	l ₁ +0.05 -0.0	d ₂	d ₃	l ₂	h ₁	TX size
P0145.050-035-A4	5	35	M 4	8	5	4	TX-20
P0145.050-040-A4	5	40	M 4	8	5	4	TX-20
P0145.050-045-A4	5	45	M 4	8	5	4	TX-20
P0145.050-050-A4	5	50	M 4	8	5	4	TX-20
P0145.060-002-A4	6	2	M 5	10	6	5	TX-25
P0145.060-003-A4	6	3	M 5	10	6	5	TX-25
P0145.060-004-A4	6	4	M 5	10	6	5	TX-25
P0145.060-005-A4	6	5	M 5	10	6	5	TX-25
P0145.060-006-A4	6	6	M 5	10	6	5	TX-25
P0145.060-007-A4	6	7	M 5	10	6	5	TX-25
P0145.060-008-A4	6	8	M 5	10	6	5	TX-25
P0145.060-010-A4	6	10	M 5	10	6	5	TX-25
P0145.060-012-A4	6	12	M 5	10	6	5	TX-25
P0145.060-014-A4	6	14	M 5	10	6	5	TX-25
P0145.060-016-A4	6	16	M 5	10	6	5	TX-25
P0145.060-018-A4	6	18	M 5	10	6	5	TX-25
P0145.060-020-A4	6	20	M 5	10	6	5	TX-25
P0145.060-025-A4	6	25	M 5	10	6	5	TX-25
P0145.060-030-A4	6	30	M 5	10	6	5	TX-25
P0145.060-035-A4	6	35	M 5	10	6	5	TX-25
P0145.060-040-A4	6	40	M 5	10	6	5	TX-25
P0145.060-045-A4	6	45	M 5	10	6	5	TX-25
P0145.060-050-A4	6	50	M 5	10	6	5	TX-25
P0145.060-055-A4	6	55	M 5	10	6	5	TX-25
P0145.060-060-A4	6	60	M 5	10	6	5	TX-25
P0145.060-070-A4	6	70	M 5	10	6	5	TX-25
P0145.060-080-A4	6	80	M 5	10	6	5	TX-25
P0145.060-090-A4	6	90	M 5	10	6	5	TX-25
P0145.060-100-A4	6	100	M 5	10	6	5	TX-25
P0145.080-004-A4	8	4	M 6	12	11	6	TX-30
P0145.080-005-A4	8	5	M 6	12	11	6	TX-30
P0145.080-006-A4	8	6	M 6	12	11	6	TX-30
P0145.080-007-A4	8	7	M 6	12	11	6	TX-30
P0145.080-008-A4	8	8	M 6	12	11	6	TX-30
P0145.080-010-A4	8	10	M 6	12	11	6	TX-30
P0145.080-012-A4	8	12	M 6	12	11	6	TX-30
P0145.080-014-A4	8	14	M 6	12	11	6	TX-30
P0145.080-016-A4	8	16	M 6	12	11	6	TX-30
P0145.080-018-A4	8	18	M 6	12	11	6	TX-30
P0145.080-020-A4	8	20	M 6	12	11	6	TX-30
P0145.080-025-A4	8	25	M 6	12	11	6	TX-30
P0145.080-030-A4	8	30	M 6	12	11	6	TX-30
P0145.080-035-A4	8	35	M 6	12	11	6	TX-30
P0145.080-040-A4	8	40	M 6	12	11	6	TX-30
P0145.080-045-A4	8	45	M 6	12	11	6	TX-30
P0145.080-050-A4	8	50	M 6	12	11	6	TX-30
P0145.080-055-A4	8	55	M 6	12	11	6	TX-30
P0145.080-060-A4	8	60	M 6	12	11	6	TX-30
P0145.080-065-A4	8	65	M 6	12	11	6	TX-30
P0145.080-070-A4	8	70	M 6	12	11	6	TX-30
P0145.080-075-A4	8	75	M 6	12	11	6	TX-30
P0145.080-080-A4	8	80	M 6	12	11	6	TX-30
P0145.080-090-A4	8	90	M 6	12	11	6	TX-30
P0145.080-100-A4	8	100	M 6	12	11	6	TX-30
P0145.100-008-A4	10	8	M 8	14	12	7	TX-45
P0145.100-010-A4	10	10	M 8	14	12	7	TX-45
P0145.100-012-A4	10	12	M 8	14	12	7	TX-45
P0145.100-014-A4	10	14	M 8	14	12	7	TX-45
P0145.100-016-A4	10	16	M 8	14	12	7	TX-45
P0145.100-018-A4	10	18	M 8	14	12	7	TX-45
P0145.100-020-A4	10	20	M 8	14	12	7	TX-45
P0145.100-025-A4	10	25	M 8	14	12	7	TX-45
P0145.100-030-A4	10	30	M 8	14	12	7	TX-45
P0145.100-035-A4	10	35	M 8	14	12	7	TX-45
P0145.100-040-A4	10	40	M 8	14	12	7	TX-45
P0145.100-045-A4	10	45	M 8	14	12	7	TX-45
P0145.100-050-A4	10	50	M 8	14	12	7	TX-45
P0145.100-055-A4	10	55	M 8	14	12	7	TX-45



Shoulder Screws - Cap Head

TX drive - 316 stainless



Order No.	d ₁ +0 -0.025	l ₁ +0.05 -0.0	d ₂	d ₃	l ₂	h ₁	TX size
P0145.100-060-A4	10	60	M 8	14	12	7	TX-45
P0145.100-065-A4	10	65	M 8	14	12	7	TX-45
P0145.100-070-A4	10	70	M 8	14	12	7	TX-45
P0145.100-080-A4	10	80	M 8	14	12	7	TX-45
P0145.100-090-A4	10	90	M 8	14	12	7	TX-45
P0145.100-100-A4	10	100	M 8	14	12	7	TX-45
P0145.120-008-A4	12	8	M10	20	16	8	TX-50
P0145.120-010-A4	12	10	M10	20	16	8	TX-50
P0145.120-012-A4	12	12	M10	20	16	8	TX-50
P0145.120-014-A4	12	14	M10	20	16	8	TX-50
P0145.120-016-A4	12	16	M10	20	16	8	TX-50
P0145.120-018-A4	12	18	M10	20	16	8	TX-50
P0145.120-020-A4	12	20	M10	20	16	8	TX-50
P0145.120-025-A4	12	25	M10	20	16	8	TX-50
P0145.120-030-A4	12	30	M10	20	16	8	TX-50
P0145.120-035-A4	12	35	M10	20	16	8	TX-50
P0145.120-040-A4	12	40	M10	20	16	8	TX-50
P0145.120-045-A4	12	45	M10	20	16	8	TX-50
P0145.120-050-A4	12	50	M10	20	16	8	TX-50
P0145.120-055-A4	12	55	M10	20	16	8	TX-50
P0145.120-060-A4	12	60	M10	20	16	8	TX-50
P0145.120-065-A4	12	65	M10	20	16	8	TX-50
P0145.120-070-A4	12	70	M10	20	16	8	TX-50
P0145.120-075-A4	12	75	M10	20	16	8	TX-50
P0145.120-080-A4	12	80	M10	20	16	8	TX-50
P0145.120-090-A4	12	90	M10	20	16	8	TX-50
P0145.120-100-A4	12	100	M10	20	16	8	TX-50
P0145.160-025-A4	16	25	M12	24	18	11	TX-60
P0145.160-030-A4	16	30	M12	24	18	11	TX-60
P0145.160-035-A4	16	35	M12	24	18	11	TX-60
P0145.160-040-A4	16	40	M12	24	18	11	TX-60
P0145.160-045-A4	16	45	M12	24	18	11	TX-60
P0145.160-050-A4	16	50	M12	24	18	11	TX-60
P0145.160-055-A4	16	55	M12	24	18	11	TX-60
P0145.160-060-A4	16	60	M12	24	18	11	TX-60
P0145.160-065-A4	16	65	M12	24	18	11	TX-60
P0145.160-070-A4	16	70	M12	24	18	11	TX-60
P0145.160-075-A4	16	75	M12	24	18	11	TX-60
P0145.160-080-A4	16	80	M12	24	18	11	TX-60
P0145.160-090-A4	16	90	M12	24	18	11	TX-60
P0145.160-100-A4	16	100	M12	24	18	11	TX-60
P0145.200-030-A4	20	30	M16	30	22	14	TX-70
P0145.200-035-A4	20	35	M16	30	22	14	TX-70
P0145.200-040-A4	20	40	M16	30	22	14	TX-70
P0145.200-045-A4	20	45	M16	30	22	14	TX-70
P0145.200-050-A4	20	50	M16	30	22	14	TX-70
P0145.200-055-A4	20	55	M16	30	22	14	TX-70
P0145.200-060-A4	20	60	M16	30	22	14	TX-70
P0145.200-065-A4	20	65	M16	30	22	14	TX-70
P0145.200-070-A4	20	70	M16	30	22	14	TX-70
P0145.200-075-A4	20	75	M16	30	22	14	TX-70
P0145.200-080-A4	20	80	M16	30	22	14	TX-70
P0145.200-090-A4	20	90	M16	30	22	14	TX-70
P0145.200-100-A4	20	100	M16	30	22	14	TX-70

SHOULDER SCREWS



SHOULDER SCREWS

Steel shoulder screws

These are our least expensive option. They are produced to ISO 7379 standards.

Thread sizes from Ø4 M3 to Ø24 M20. We manufacture special shoulder screws to customer drawings with a minimum batch size.



Stainless steel shoulder screws

We have three different grades of stainless steel shoulder screws:

303 series – these are our standard grade of stainless (P0130.A2). They are strong and resistant to corrosion but not to very harsh environments such as salt water.

416 series – these are made from harder stainless steel with improved shear strengths but the parts are more prone to corrosion (see part no. P0131 and P0133).

316 series – these shoulder screws (P0130.A4) are very resistant to corrosion but are considerably more expensive than other stainless versions.



Shoulder bolts

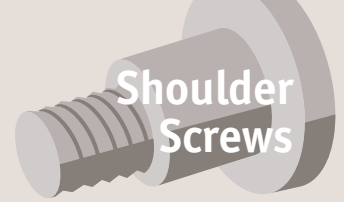
Our range of precision shoulder bolts with hexagonal heads come in both steel (grades 8.8 and 10.9) and stainless steel (303 and 316 stainless). These bolts are manufactured to DIN 609 and DIN 610. We also have shoulder bolts for construction, manufactured to DIN 7968.

	DIN 609 standard length thread	DIN 610 short length thread	DIN 7968 construction
Grade 8.8 steel	P0138.SC	P0140.SC	P0142
Grade 10.9 steel	P0139	P0141	-
303 stainless steel	P0138.A2	P0140.A2	-



Product Overview

Shoulder Screws & Shoulder Bolts



Shoulder
Screws

SHOULDER SCREWS

Shoulder Screw from Automotion Components

Part No.		Material	Head	Corrosion resistance	Strength	Ø/thread	DIN/ISO
P0130		303 stainless steel	Hex socket	✓✓	✓	Min: Ø4/M3 Max: Ø20/M16	-
P0130.A4		316 stainless steel	Hex socket	✓✓✓	✓	Min: Ø4/M3 Max: Ø20/M16	ISO 7379
P0131		416 stainless steel	Hex socket	✓	✓✓	Min: Ø4/M3 Max: Ø12/M10	-
P0132		303 stainless steel	Slotted	✓✓	✓	Min: Ø4/M3 Max: Ø12/M10	-
P0133		416 stainless steel	Slotted	✓	✓✓	Min: Ø4/M3 Max: Ø12/M10	-
P0134		303 stainless steel	Hex socket	✓✓	✓	Min: Ø4/M3 Max: Ø8/M6	-
P0135		303 stainless steel	Hex head	✓✓	✓	Min: Ø4/M3 Max: Ø12/M10	-
P0136		Steel 12,9	Hex socket	✗	✓✓	Min: Ø4/M3 Max: Ø24/M20	ISO 7379
P0137		304 stainless steel	Hex socket	✓✓	✓	Min: Ø6/M5 Max: Ø20/M16	ISO 7379
P0138		Steel 8,8	Hex head (long thread)	✗	✓	Min: Ø9/M8 Max: Ø44/M42	DIN 610
P0139		Steel 10,9	Hex head (long thread)	✗	✓✓	Min: Ø9/M8 Max: Ø38/M36	DIN 610
P0140		Steel 8,8	Hex socket (short thread)	✗	✓✓	Min: Ø9/M8 Max: Ø44/M42	DIN 609
P0141		Steel 10,9	Hex socket (short thread)	✗	✓✓	Min: Ø9/M8 Max: Ø38/M36	DIN 609
P0142		Steel 8,8	Hex head	✗	✓✓	Min: Ø12/M12 Max: Ø27/M27	DIN 7968
P0144		303 stainless steel	Pan head	✓✓	✓✓	Min: Ø4/M3 Max: Ø10/M8	DIN 923

ov-shoulder-screws-product-overview-b-rnh - Updated 17-02-2023