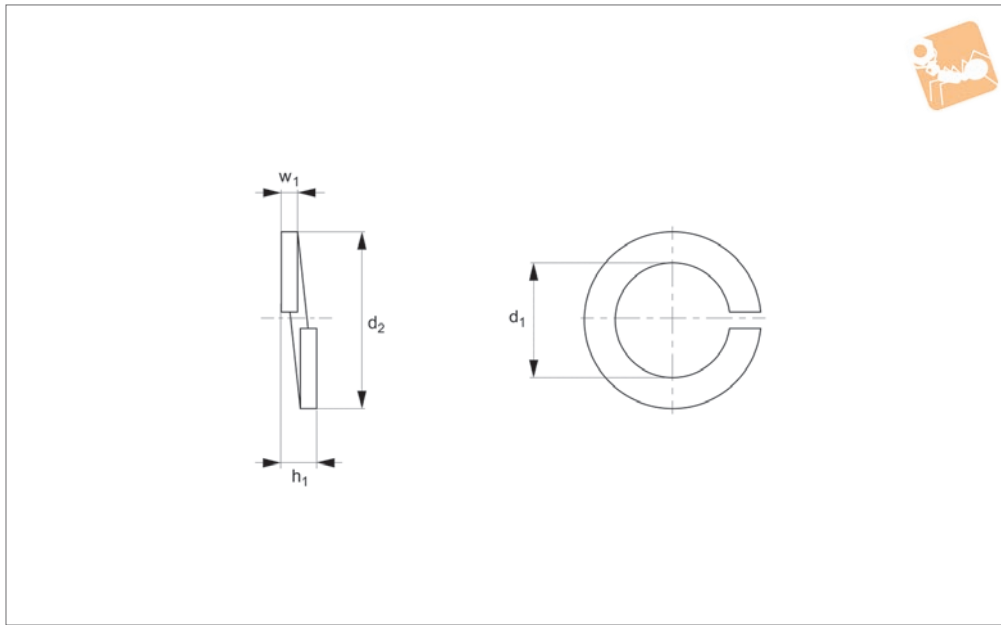




Spring Washers Rectangular Section

A2 stainless



P0370.A2

FLAT WASHERS

Material

Stainless steel (A2, AISI 303).

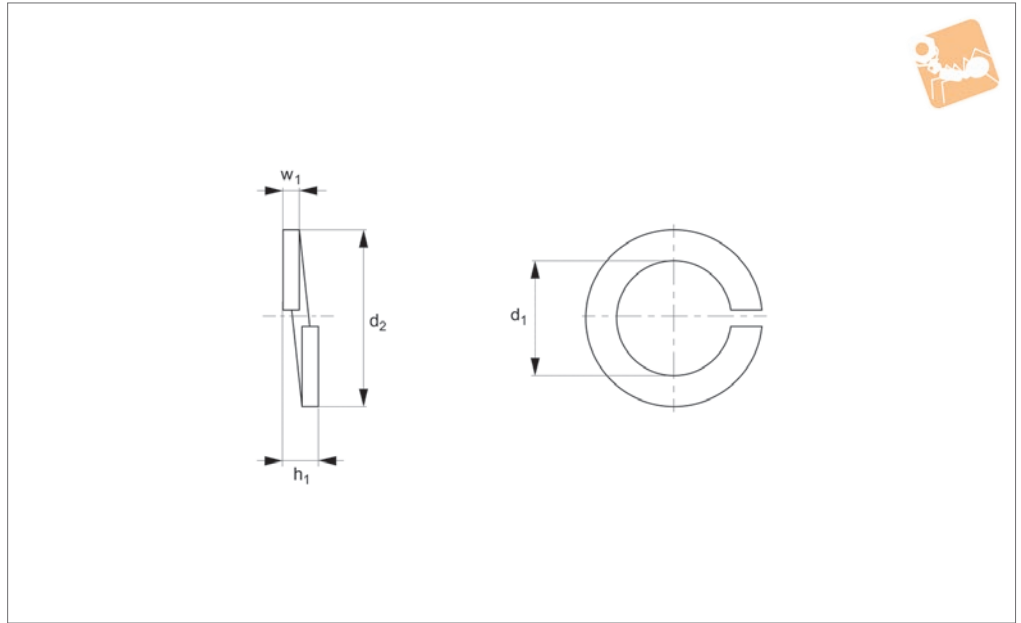
Technical Notes

To DIN 127 B.

Order No.	For thread	d_1	d_2	h_1 min.	w_1	Material
P0370.020-A2	M 2	2.1	4.4	1.0	0.5	A2 s/s
P0370.025-A2	M2,5	2.6	5.1	1.2	0.6	A2 s/s
P0370.030-A2	M 3	3.1	5.2	1.6	0.8	A2 s/s
P0370.035-A2	M3,5	3.6	6.7	1.6	0.8	A2 s/s
P0370.040-A2	M 4	4.1	7.6	1.8	0.9	A2 s/s
P0370.050-A2	M 5	5.1	9.2	2.4	1.2	A2 s/s
P0370.060-A2	M 6	6.1	11.8	3.2	1.6	A2 s/s
P0370.080-A2	M 8	8.1	14.8	4.0	2.0	A2 s/s
P0370.100-A2	M10	10.2	18.1	4.4	2.2	A2 s/s
P0370.120-A2	M12	12.2	21.1	5.0	2.5	A2 s/s
P0370.140-A2	M14	14.2	24.1	6.0	3.0	A2 s/s
P0370.160-A2	M16	16.2	27.4	7.0	3.5	A2 s/s
P0370.180-A2	M18	18.2	29.4	7.0	3.5	A2 s/s
P0370.200-A2	M20	20.2	33.6	8.0	4.0	A2 s/s
P0370.220-A2	M22	22.5	35.9	8.0	4.0	A2 s/s
P0370.240-A2	M24	24.5	40.0	10.0	5.0	A2 s/s
P0370.270-A2	M27	27.5	43.0	10.0	6.0	A2 s/s
P0370.300-A2	M30	30.5	48.2	12.0	6.0	A2 s/s
P0370.360-A2	M36	36.5	58.2	12.0	6.0	A2 s/s
P0370.400-A2	M40	40.5	63.5	14.0	7.0	A2 s/s
P0370.420-A2	M42	42.5	68.2	14.0	7.0	A2 s/s
P0370.480-A2	M48	49.0	75.0	14.0	7.0	A2 s/s



P0370.A4



FLAT WASHERS

Material

Stainless steel (A4, AISI 316).

Technical Notes

To DIN 127 B.

Order No.	For thread	d ₁	d ₂	h ₁ min.	w ₁	Material
P0370.020-A4	M 2	2.1	4.4	1.0	0.5	A4 s/s
P0370.023-A4	M2,3	2.4	4.9	1.2	0.6	A4 s/s
P0370.025-A4	M2,5	2.6	5.1	1.2	0.6	A4 s/s
P0370.026-A4	M2,6	2.7	5.2	1.2	0.6	A4 s/s
P0370.030-A4	M 3	3.1	5.2	1.6	0.8	A4 s/s
P0370.035-A4	M3,5	3.6	6.7	1.6	0.8	A4 s/s
P0370.040-A4	M 4	4.1	7.6	1.8	0.9	A4 s/s
P0370.050-A4	M 5	5.1	9.2	2.4	1.2	A4 s/s
P0370.060-A4	M 6	6.1	11.8	3.2	1.6	A4 s/s
P0370.080-A4	M 8	8.1	14.8	4.0	2.0	A4 s/s
P0370.100-A4	M10	10.2	18.1	4.4	2.2	A4 s/s
P0370.120-A4	M12	12.2	21.1	5.0	2.5	A4 s/s
P0370.140-A4	M14	14.2	24.1	6.0	3.0	A4 s/s
P0370.160-A4	M16	16.2	27.4	7.0	3.5	A4 s/s
P0370.180-A4	M18	18.2	29.4	7.0	3.5	A4 s/s
P0370.200-A4	M20	20.2	33.6	8.0	4.0	A4 s/s
P0370.220-A4	M22	22.5	35.9	8.0	4.0	A4 s/s
P0370.240-A4	M24	24.5	40.0	10.0	5.0	A4 s/s
P0370.270-A4	M27	27.5	43.0	10.0	6.0	A4 s/s
P0370.300-A4	M30	30.5	48.2	12.0	6.0	A4 s/s
P0370.360-A4	M36	36.5	58.2	12.0	6.0	A4 s/s
P0370.400-A4	M40	40.5	63.5	14.0	7.0	A4 s/s
P0370.420-A4	M42	42.5	68.2	14.0	7.0	A4 s/s
P0370.480-A4	M48	49.0	75.0	14.0	7.0	A4 s/s

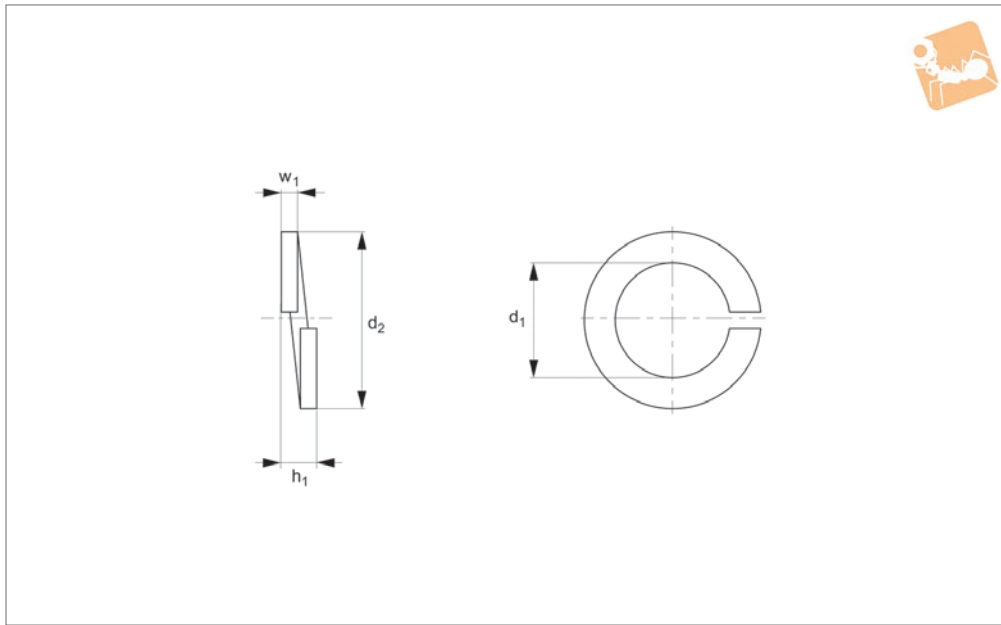


Spring Washers Rectangular Section

Steel, zinc-plated



Flat Washers



P0370.ZP

FLAT WASHERS

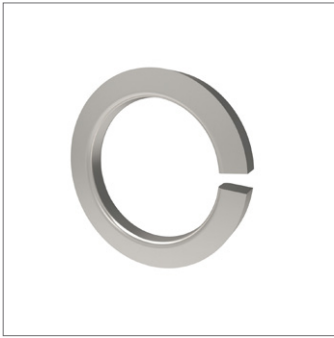
Material

Spring steel, zinc-plated.

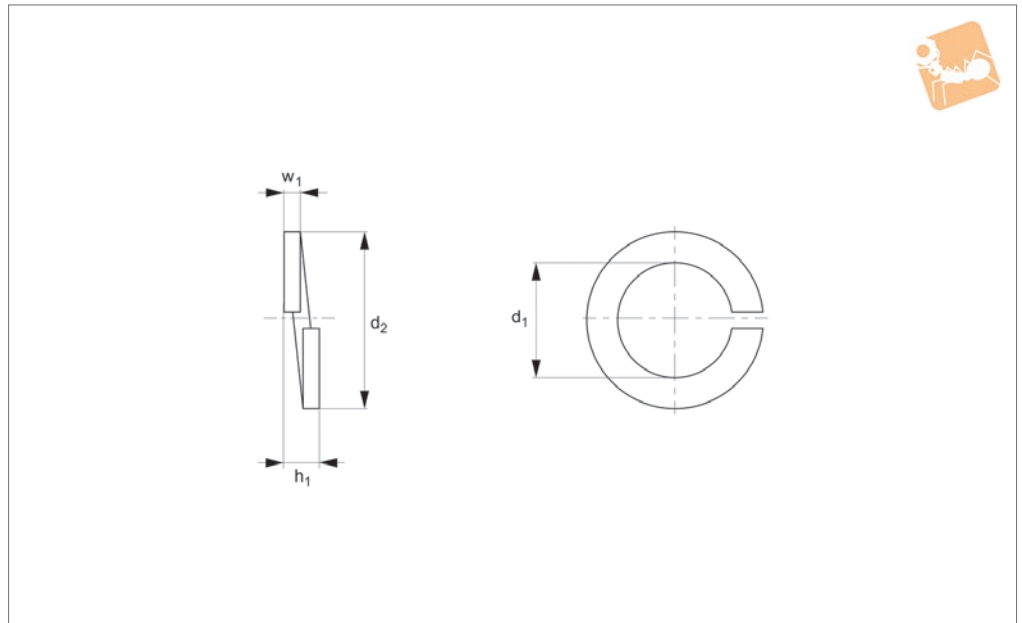
Technical Notes

To DIN 127 B.

Order No.	For thread	d ₁	d ₂	h ₁ min.	w ₁	Material
P0370.020-ZP	M 2	2.1	4.4	1.0	0.5	Steel ZP
P0370.025-ZP	M2,5	2.6	5.1	1.2	0.6	Steel ZP
P0370.030-ZP	M 3	3.1	5.2	1.6	0.8	Steel ZP
P0370.035-ZP	M3,5	3.6	6.7	1.6	0.8	Steel ZP
P0370.040-ZP	M 4	4.1	7.6	1.8	0.9	Steel ZP
P0370.050-ZP	M 5	5.1	9.2	2.4	1.2	Steel ZP
P0370.060-ZP	M 6	6.1	11.8	3.2	1.6	Steel ZP
P0370.080-ZP	M 8	8.1	14.8	4.0	2.0	Steel ZP
P0370.100-ZP	M10	10.2	18.1	4.4	2.2	Steel ZP
P0370.120-ZP	M12	12.2	21.1	5.0	2.5	Steel ZP
P0370.140-ZP	M14	14.2	24.1	6.0	3.0	Steel ZP
P0370.160-ZP	M16	16.2	27.4	7.0	3.5	Steel ZP
P0370.180-ZP	M18	18.2	29.4	7.0	3.5	Steel ZP
P0370.200-ZP	M20	20.2	33.6	8.0	4.0	Steel ZP
P0370.220-ZP	M22	22.5	35.9	8.0	4.0	Steel ZP
P0370.240-ZP	M24	24.5	40.0	10.0	5.0	Steel ZP
P0370.270-ZP	M27	27.5	43.0	10.0	6.0	Steel ZP
P0370.300-ZP	M30	30.5	48.2	12.0	6.0	Steel ZP
P0370.360-ZP	M36	36.5	58.2	12.0	6.0	Steel ZP



P0370.SC



Material
Spring steel, self-colour.

Technical Notes
To DIN 127 B.

Order No.	For thread	d ₁	d ₂	h ₁ min.	w ₁	Material
P0370.020-SC	M 2	2.1	4.4	1.0	0.5	Steel SC
P0370.025-SC	M2,5	2.6	5.1	1.2	0.6	Steel SC
P0370.030-SC	M 3	3.1	5.2	1.6	0.8	Steel SC
P0370.035-SC	M3,5	3.6	6.7	1.6	0.8	Steel SC
P0370.040-SC	M 4	4.1	7.6	1.8	0.9	Steel SC
P0370.050-SC	M 5	5.1	9.2	2.4	1.2	Steel SC
P0370.060-SC	M 6	6.1	11.8	3.2	1.6	Steel SC
P0370.080-SC	M 8	8.1	14.8	4.0	2.0	Steel SC
P0370.100-SC	M10	10.2	18.1	4.4	2.2	Steel SC
P0370.120-SC	M12	12.2	21.1	5.0	2.5	Steel SC
P0370.140-SC	M14	14.2	24.1	6.0	3.0	Steel SC
P0370.160-SC	M16	16.2	27.4	7.0	3.5	Steel SC
P0370.180-SC	M18	18.2	29.4	7.0	3.5	Steel SC
P0370.200-SC	M20	20.2	33.6	8.0	4.0	Steel SC
P0370.220-SC	M22	22.5	35.9	8.0	4.0	Steel SC
P0370.240-SC	M24	24.5	40.0	10.0	5.0	Steel SC
P0370.270-SC	M27	27.5	43.0	10.0	6.0	Steel SC
P0370.300-SC	M30	30.5	48.2	12.0	6.0	Steel SC
P0370.360-SC	M36	36.5	58.2	12.0	6.0	Steel SC
P0370.400-SC	M40	40.5	63.5	14.0	7.0	Steel SC
P0370.420-SC	M42	42.5	68.2	14.0	7.0	Steel SC
P0370.480-SC	M48	49.0	75.0	14.0	7.0	Steel SC