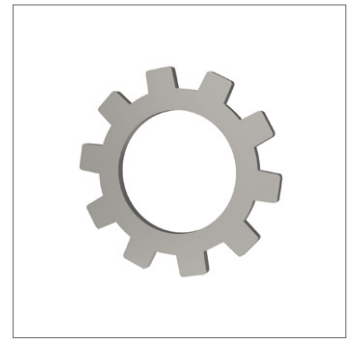
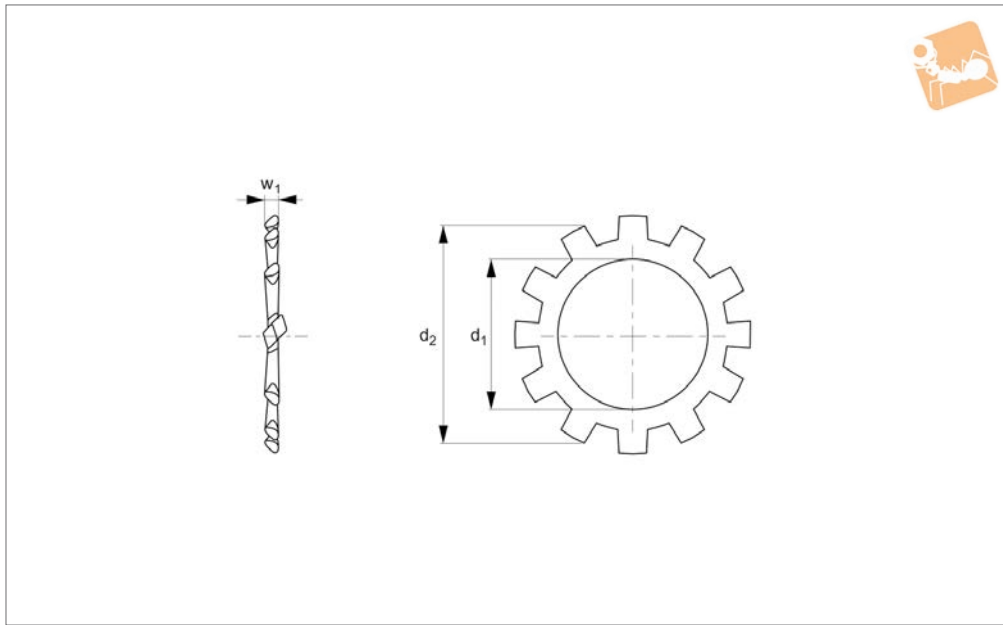




External A2 Tooth Washers

A2 stainless



P0374.A2

FLAT WASHERS

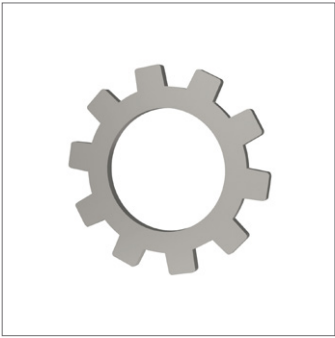
Material

Stainless steel (A2, AISI 303).

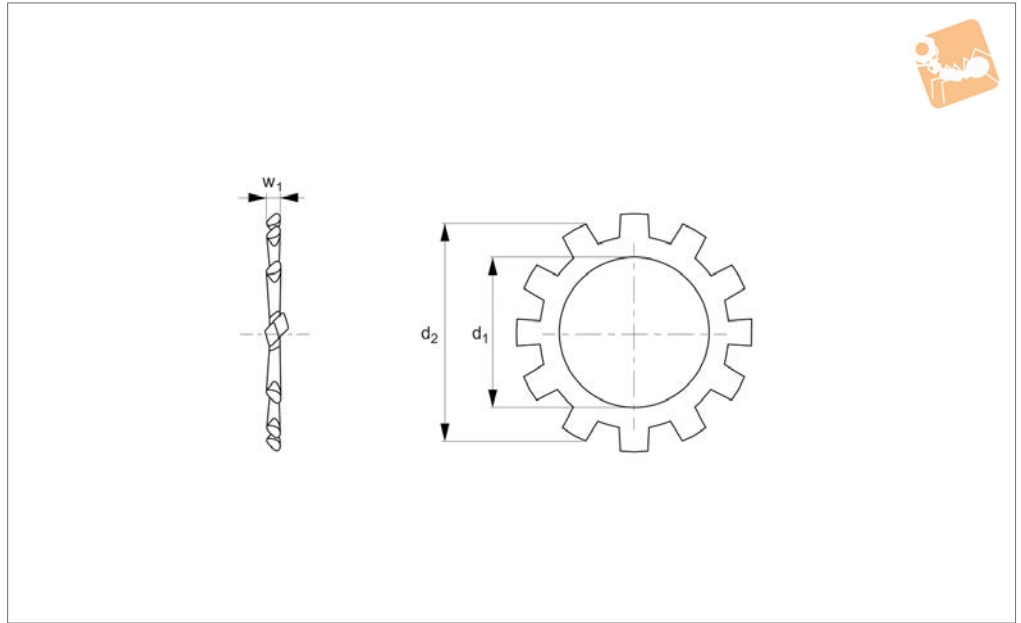
Technical Notes

To DIN 6797 AZ.

Order No.	d ₁ for thread	d ₂	w ₁	Material
P0374.020-A2	M 2	4.5	0.3	A2 s/s
P0374.025-A2	M2,5	5.5	0.4	A2 s/s
P0374.030-A2	M 3	5.5	0.4	A2 s/s
P0374.035-A2	M3,5	6.0	0.4	A2 s/s
P0374.040-A2	M 4	7.0	0.5	A2 s/s
P0374.050-A2	M 5	8.0	0.5	A2 s/s
P0374.060-A2	M 6	11.0	0.7	A2 s/s
P0374.070-A2	M 7	12.5	0.8	A2 s/s
P0374.080-A2	M 8	15.0	0.8	A2 s/s
P0374.100-A2	M10	18.0	0.9	A2 s/s
P0374.120-A2	M12	20.5	1.0	A2 s/s
P0374.140-A2	M14	24.0	1.0	A2 s/s
P0374.160-A2	M 16	26.0	1.2	A2 s/s
P0374.180-A2	M18	30.0	1.4	A2 s/s
P0374.200-A2	M20	33.0	1.4	A2 s/s
P0374.220-A2	M22	36.0	1.5	A2 s/s
P0374.240-A2	M24	38.0	1.5	A2 s/s
P0374.270-A2	M27	44.0	1.6	A2 s/s
P0374.300-A2	M30	48.0	1.6	A2 s/s



P0374.A4



Material

Stainless steel (A4, AISI 316).

Technical Notes

To DIN 6798A.

Order No.	d ₁ for thread	d ₂	w ₁	Material
P0374.020-A4	M 2	4.5	0.3	A4 s/s
P0374.025-A4	M2,5	5.5	0.4	A4 s/s
P0374.030-A4	M 3	5.5	0.4	A4 s/s
P0374.035-A4	M3,5	6.0	0.4	A4 s/s
P0374.040-A4	M 4	7.0	0.5	A4 s/s
P0374.050-A4	M 5	8.0	0.5	A4 s/s
P0374.060-A4	M 6	11.0	0.7	A4 s/s
P0374.070-A4	M 7	12.5	0.8	A4 s/s
P0374.080-A4	M 8	15.0	0.8	A4 s/s
P0374.100-A4	M10	18.0	0.9	A4 s/s
P0374.120-A4	M12	20.5	1.0	A4 s/s
P0374.140-A4	M14	24.0	1.0	A4 s/s
P0374.160-A4	M 16	26.0	1.2	A4 s/s
P0374.180-A4	M18	30.0	1.4	A4 s/s
P0374.200-A4	M20	33.0	1.4	A4 s/s
P0374.220-A4	M22	36.0	1.5	A4 s/s
P0374.240-A4	M24	38.0	1.5	A4 s/s
P0374.270-A4	M27	44.0	1.6	A4 s/s
P0374.300-A4	M30	48.0	1.6	A4 s/s

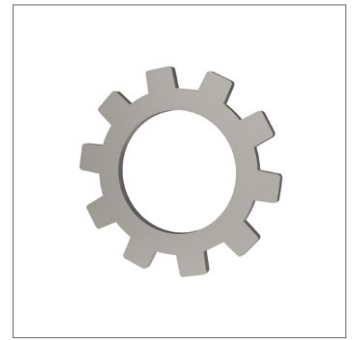
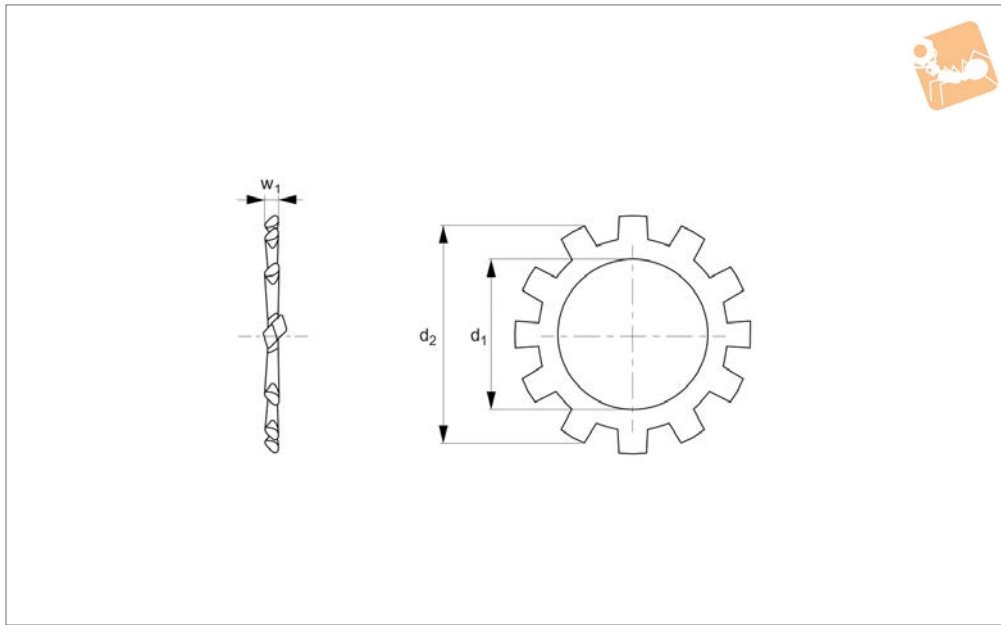


External ZP Tooth Washers

Steel, zinc-plated



Flat Washers



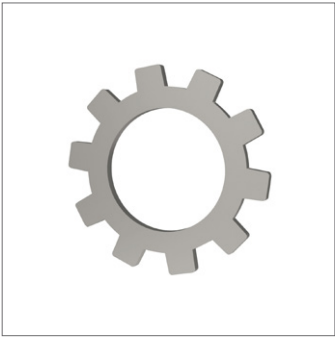
P0374.ZP

FLAT WASHERS

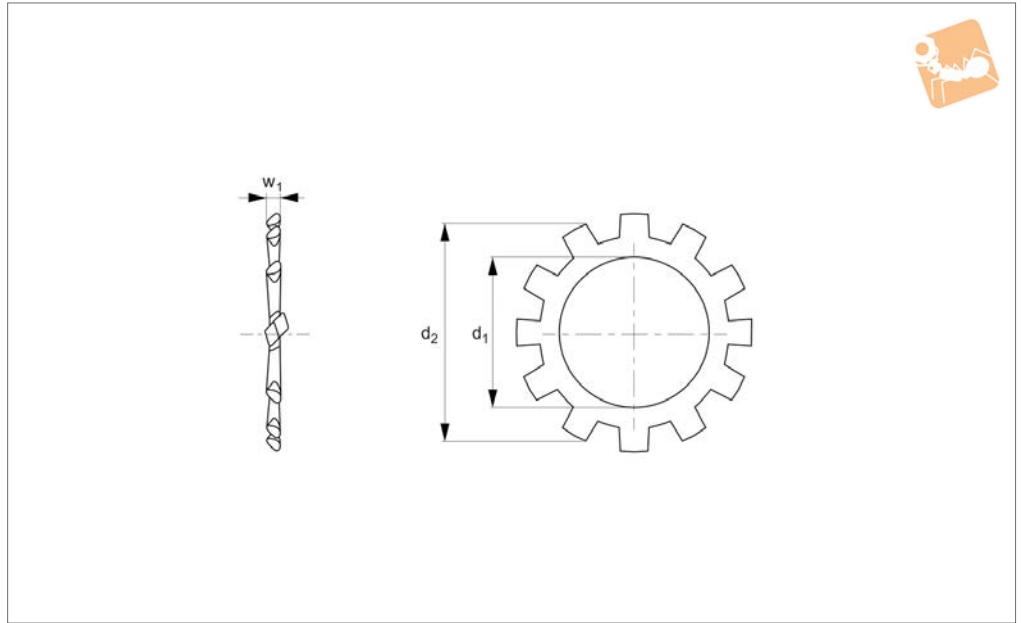
Material
Spring steel, zinc-plated.

Technical Notes
To DIN 6797 AZ.

Order No.	d ₁ for thread	d ₂	w ₁	Material
P0374.030-ZP	M 3	5.5	0.4	Steel ZP
P0374.040-ZP	M 4	7.0	0.5	Steel ZP
P0374.050-ZP	M 5	8.0	0.5	Steel ZP
P0374.060-ZP	M 6	11.0	0.7	Steel ZP
P0374.080-ZP	M 8	15.0	0.8	Steel ZP
P0374.100-ZP	M10	18.0	0.9	Steel ZP



P0374.SC



Material

Spring steel, self-colour.

Technical Notes

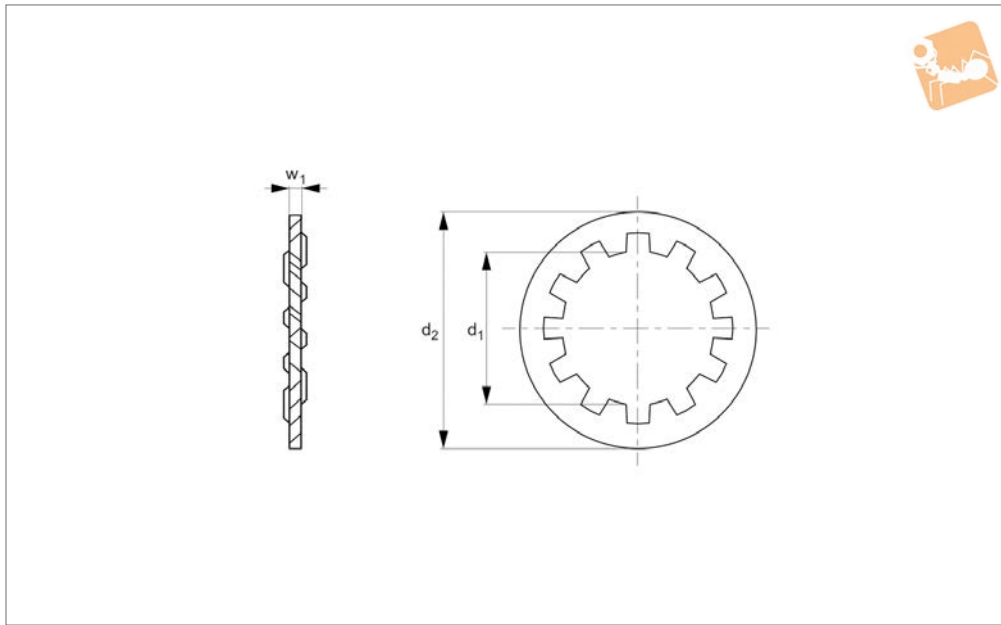
To DIN 6797 AZ.

Order No.	d ₁ for thread	d ₂	w ₁	Material
P0374.030-SC	M 3	5.5	0.4	Steel SC
P0374.040-SC	M 4	7.0	0.5	Steel SC
P0374.050-SC	M 5	8.0	0.5	Steel SC
P0374.060-SC	M 6	11.0	0.7	Steel SC
P0374.080-SC	M 8	15.0	0.8	Steel SC
P0374.100-SC	M10	18.0	0.9	Steel SC
P0374.120-SC	M12	20.5	1.0	Steel SC
P0374.140-SC	M14	24.0	1.0	Steel SC
P0374.160-SC	M16	26.0	1.2	Steel SC
P0374.200-SC	M20	33.0	1.4	Steel SC
P0374.240-SC	M24	38.0	1.5	Steel SC



Internal A2 Tooth Washers

A2 stainless



P0375.A2

FLAT WASHERS

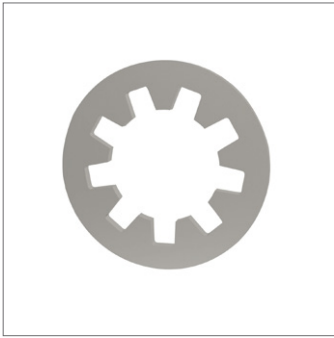
Material

Stainless steel (A2, AISI 303).

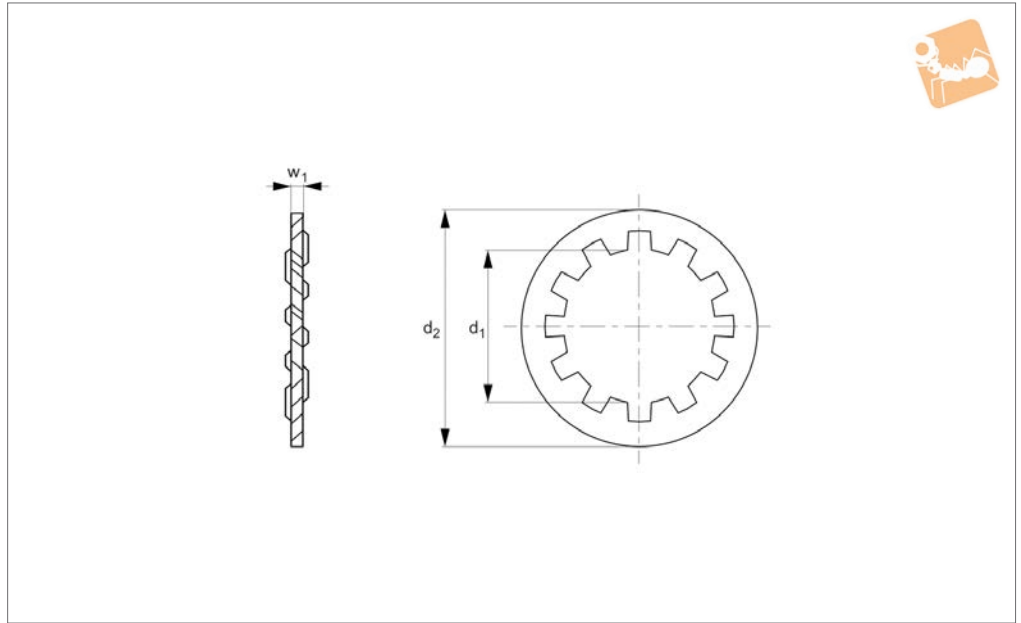
Technical Notes

To DIN 6797 IZ.

Order No.	d ₁ for thread	d ₂	w ₁	Material
P0375.020-A2	M 2	4.5	0.3	A2 s/s
P0375.025-A2	M2,5	5.5	0.4	A2 s/s
P0375.030-A2	M 3	6.0	0.4	A2 s/s
P0375.035-A2	M3,5	7.0	0.5	A2 s/s
P0375.040-A2	M 4	8.0	0.5	A2 s/s
P0375.050-A2	M 5	10.0	0.6	A2 s/s
P0375.060-A2	M 6	11.0	0.7	A2 s/s
P0375.070-A2	M 7	12.5	0.8	A2 s/s
P0375.080-A2	M 8	15.0	0.8	A2 s/s
P0375.100-A2	M10	18.0	0.9	A2 s/s
P0375.120-A2	M12	20.5	1.0	A2 s/s
P0375.140-A2	M14	24.0	1.0	A2 s/s
P0375.160-A2	M16	26.0	1.2	A2 s/s
P0375.180-A2	M18	30.0	1.4	A2 s/s
P0375.200-A2	M20	33.0	1.4	A2 s/s
P0375.220-A2	M22	36.0	1.5	A2 s/s
P0375.240-A2	M24	38.0	1.5	A2 s/s
P0375.270-A2	M27	44.0	1.6	A2 s/s
P0375.300-A2	M30	48.0	1.6	A2 s/s



P0375.A4



Material
Stainless steel (A4, AISI 316).

Technical Notes
To DIN 6798 J.

Order No.	d ₁ for thread	d ₂	w ₁	Material
P0375.020-A4	M 2	4.5	0.3	A4 s/s
P0375.025-A4	M2,5	5.5	0.4	A4 s/s
P0375.030-A4	M 3	6.0	0.4	A4 s/s
P0375.035-A4	M3,5	7.0	0.5	A4 s/s
P0375.040-A4	M 4	8.0	0.5	A4 s/s
P0375.050-A4	M 5	10.0	0.6	A4 s/s
P0375.060-A4	M 6	11.0	0.7	A4 s/s
P0375.070-A4	M 7	12.5	0.8	A4 s/s
P0375.080-A4	M 8	15.0	0.8	A4 s/s
P0375.100-A4	M10	18.0	0.9	A4 s/s
P0375.120-A4	M12	20.5	1.0	A4 s/s
P0375.140-A4	M14	24.0	1.0	A4 s/s
P0375.160-A4	M16	26.0	1.2	A4 s/s
P0375.180-A4	M18	30.0	1.4	A4 s/s
P0375.200-A4	M20	33.0	1.4	A4 s/s
P0375.220-A4	M22	36.0	1.5	A4 s/s
P0375.240-A4	M24	38.0	1.5	A4 s/s
P0375.270-A4	M27	44.0	1.6	A4 s/s
P0375.300-A4	M30	48.0	1.6	A4 s/s

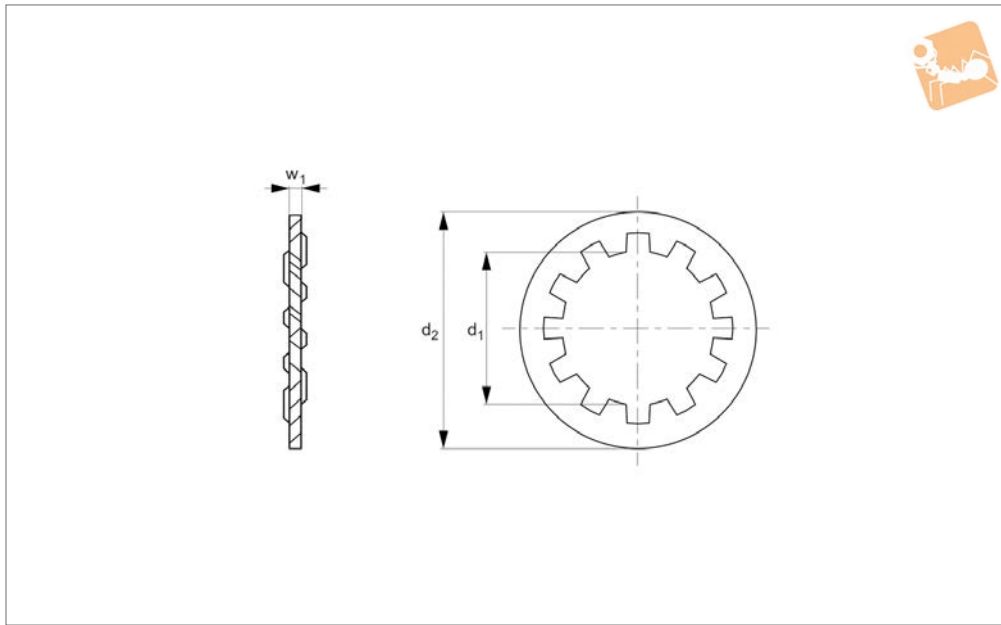


Internal ZP Tooth Washers

Steel, zinc-plated



Flat Washers



P0375.ZP

FLAT WASHERS

Material

Spring steel, zinc-plated.

Technical Notes

To DIN 6797 IZ.

Order No.	d ₁ for thread	d ₂	w ₁	Material
P0375.020-ZP	M 2	4.5	0.3	Steel ZP
P0375.025-ZP	M2,5	5.5	0.4	Steel ZP
P0375.030-ZP	M 3	6.0	0.4	Steel ZP
P0375.035-ZP	M3,5	7.0	0.5	Steel ZP
P0375.040-ZP	M 4	8.0	0.5	Steel ZP
P0375.050-ZP	M 5	10.0	0.6	Steel ZP
P0375.060-ZP	M 6	11.0	0.7	Steel ZP
P0375.070-ZP	M 7	12.5	0.8	Steel ZP
P0375.080-ZP	M 8	15.0	0.8	Steel ZP
P0375.100-ZP	M10	18.0	0.9	Steel ZP
P0375.120-ZP	M12	20.5	1.0	Steel ZP
P0375.140-ZP	M14	24.0	1.0	Steel ZP
P0375.160-ZP	M16	26.0	1.2	Steel ZP
P0375.180-ZP	M18	30.0	1.4	Steel ZP
P0375.200-ZP	M20	33.0	1.4	Steel ZP
P0375.220-ZP	M22	36.0	1.5	Steel ZP
P0375.240-ZP	M24	38.0	1.5	Steel ZP
P0375.270-ZP	M27	44.0	1.6	Steel ZP
P0375.300-ZP	M30	48.0	1.6	Steel ZP