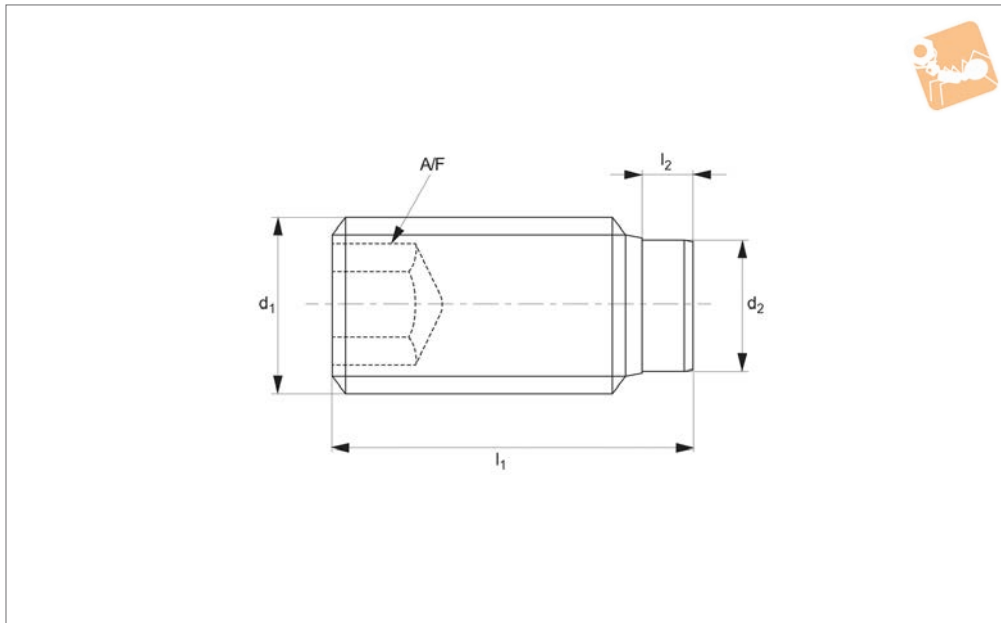




Thrust Screws - Brass Pad steel

Tipped Screws



P0121

TIPPED SCREWS

Material

Screw: heat treated steel, 1200 +/-100 N/mm².
Pad: brass.

Technical Notes

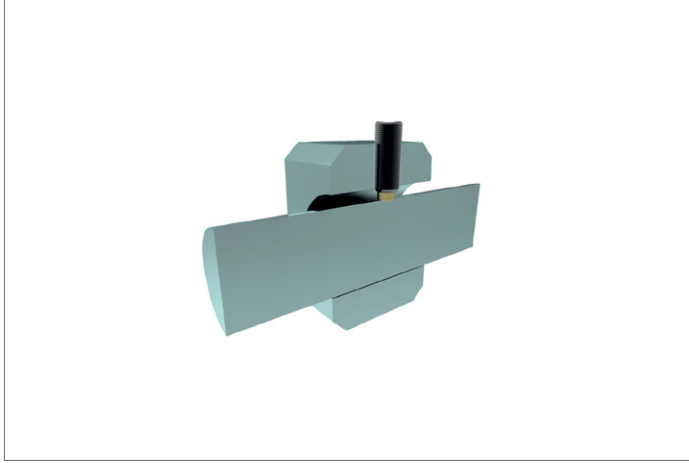
Brass pad pressed in. These thrust screws can be used for gentle clamping or pressing of threaded spindles, axles, shafts or

surface treated parts.

Order No.	Material	Type	d ₁	l ₁	l ₂	d ₂	A/F	Weight g
P0121.030-010	Steel	Brass Pad	M 3	10.0	1.0	1.5	1.5	0.5
P0121.040-006	Steel	Brass Pad	M 4	6.5	1.2	2.5	2.0	0.3
P0121.040-010	Steel	Brass Pad	M 4	10.5	1.2	2.5	2.0	0.8
P0121.040-016	Steel	Brass Pad	M 4	16.5	1.2	2.5	2.0	1.2
P0121.050-008	Steel	Brass Pad	M 5	8.5	1.3	3.0	2.5	0.9
P0121.050-012	Steel	Brass Pad	M 5	12.5	1.3	3.0	2.5	1.4
P0121.050-020	Steel	Brass Pad	M 5	20.5	1.3	3.0	2.5	2.1
P0121.060-012	Steel	Brass Pad	M 6	11.5	1.9	4.0	3.0	1.7
P0121.060-026	Steel	Brass Pad	M 6	26.5	1.9	4.0	3.0	4.2
P0121.080-012	Steel	Brass Pad	M 8	12.0	2.5	5.5	4.0	3.0
P0121.080-022	Steel	Brass Pad	M 8	22.0	2.5	5.5	4.0	5.8
P0121.080-032	Steel	Brass Pad	M 8	32.0	2.5	5.5	4.0	8.9
P0121.100-014	Steel	Brass Pad	M10	14.0	2.7	7.0	5.0	5.6
P0121.100-018	Steel	Brass Pad	M10	18.0	2.7	7.0	5.0	6.7
P0121.100-027	Steel	Brass Pad	M10	27.0	2.7	7.0	5.0	11.0
P0121.100-037	Steel	Brass Pad	M10	37.0	2.7	7.0	5.0	16.0
P0121.120-018	Steel	Brass Pad	M12	18.5	3.4	8.5	6.0	10.0
P0121.120-022	Steel	Brass Pad	M12	22.5	3.4	8.5	6.0	12.0
P0121.120-032	Steel	Brass Pad	M12	32.5	3.4	8.5	6.0	20.0
P0121.120-042	Steel	Brass Pad	M12	42.5	3.4	8.5	6.0	29.0



TIPPED SCREWS

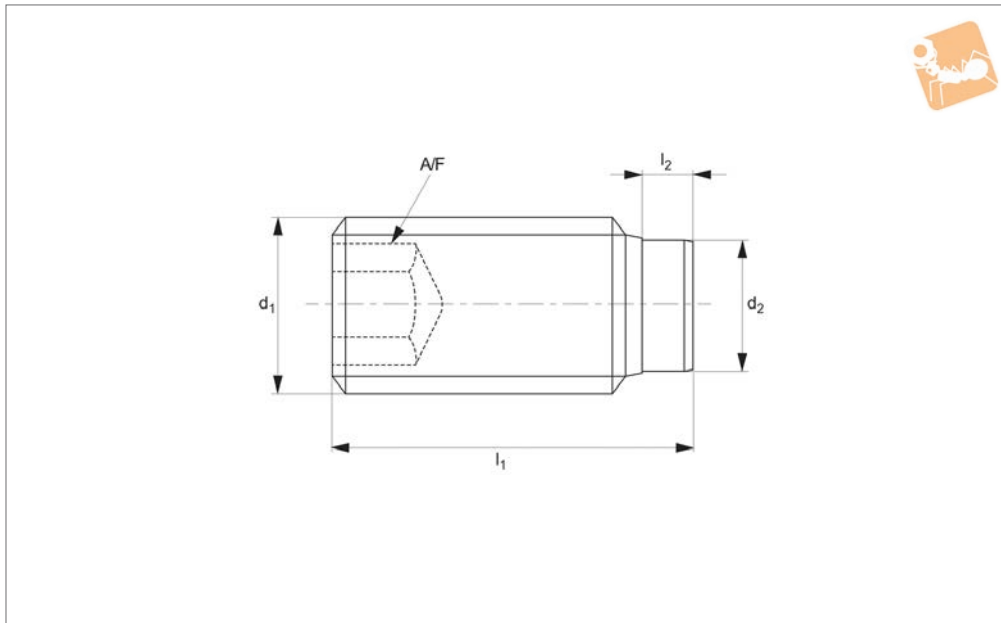




Thrust Screws - Brass Pad

stainless steel

Tipped Screws



P0120

TIPPED SCREWS

Material

Screw: stainless steel 1.4305 (AISI 303).
Pad: brass.

Technical Notes

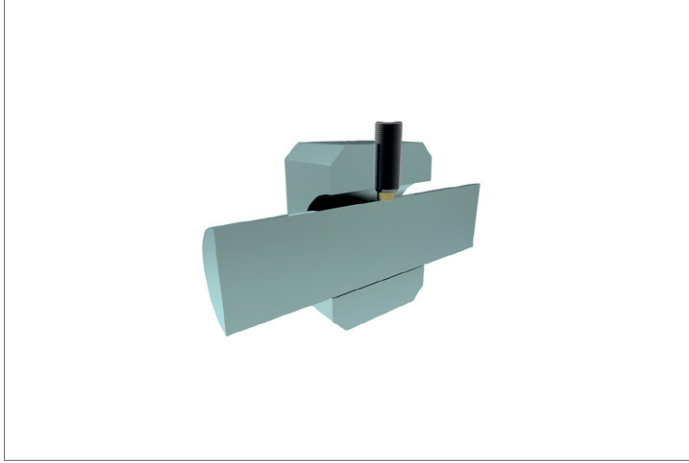
Brass pad pressed in. These thrust screws can be used for gentle clamping or pres-

sing of threaded spindles, axles, shafts or surface treated parts.

Order No.	Material	Type	d ₁	l ₁	l ₂	d ₂	A/F	Weight g
P0120.030-004	Stainless	Brass Pad	M 3	5.0	1.0	1.5	1.5	0.2
P0120.030-006	Stainless	Brass Pad	M 3	7.5	1.0	1.5	1.5	0.3
P0120.040-006	Stainless	Brass Pad	M 4	6.5	1.2	2.5	2.0	0.3
P0120.040-010	Stainless	Brass Pad	M 4	10.5	1.2	2.5	2.0	0.8
P0120.040-016	Stainless	Brass Pad	M 4	16.5	1.2	2.5	2.0	1.2
P0120.050-008	Stainless	Brass Pad	M 5	8.5	1.3	3.0	2.5	0.9
P0120.050-012	Stainless	Brass Pad	M 5	12.5	1.3	3.0	2.5	1.4
P0120.050-020	Stainless	Brass Pad	M 5	20.5	1.3	3.0	2.5	2.1
P0120.060-012	Stainless	Brass Pad	M 6	11.5	1.9	4.0	3.0	1.7
P0120.060-018	Stainless	Brass Pad	M 6	17.5	1.9	4.0	3.0	2.7
P0120.060-026	Stainless	Brass Pad	M 6	26.5	1.9	4.0	3.0	4.2
P0120.080-012	Stainless	Brass Pad	M 8	12.0	2.5	5.5	4.0	3.0
P0120.080-022	Stainless	Brass Pad	M 8	22.0	2.5	5.5	4.0	5.8
P0120.080-032	Stainless	Brass Pad	M 8	32.0	2.5	5.5	4.0	8.9
P0120.100-014	Stainless	Brass Pad	M10	14.0	2.7	7.0	5.0	5.6
P0120.100-018	Stainless	Brass Pad	M10	18.0	2.7	7.0	5.0	6.7
P0120.100-027	Stainless	Brass Pad	M10	27.0	2.7	7.0	5.0	11.0
P0120.100-037	Stainless	Brass Pad	M10	37.0	2.7	7.0	5.0	16.0
P0120.120-018	Stainless	Brass Pad	M12	18.5	3.4	8.5	6.0	10.0
P0120.120-022	Stainless	Brass Pad	M12	22.5	3.4	8.5	6.0	12.0
P0120.120-032	Stainless	Brass Pad	M12	32.5	3.4	8.5	6.0	20.0
P0120.120-042	Stainless	Brass Pad	M12	42.5	3.4	8.5	6.0	29.0



TIPPED SCREWS

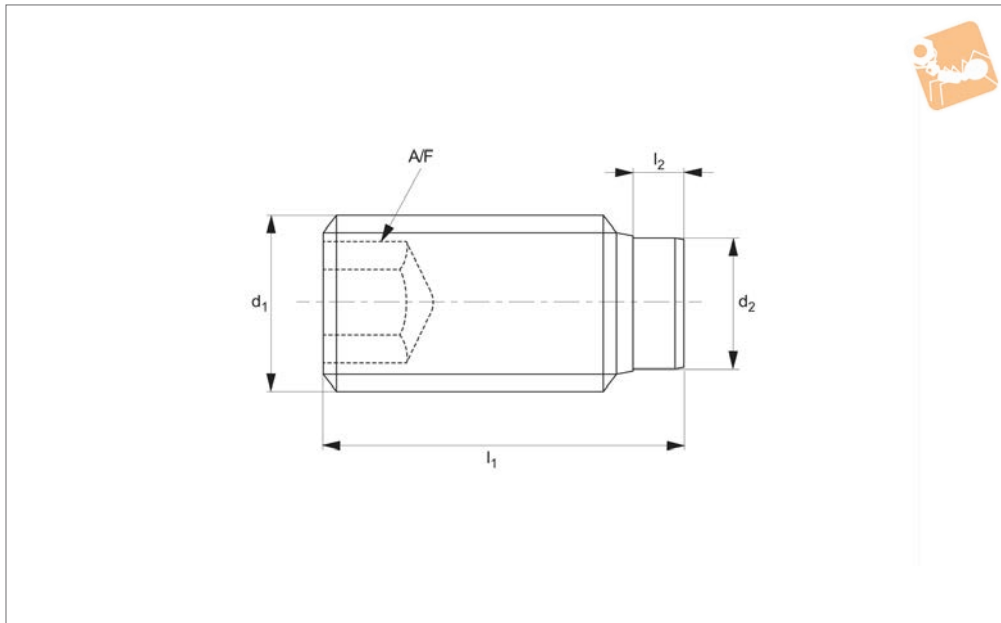




Thrust Screws - Plastic Pad

steel

Tipped Screws



P0125

TIPPED SCREWS

Material

Screw: heat treated steel, 1200 +/-100 N/mm².

Pad: thermoplastic POM, white.

Technical Notes

Thermoplastic bolt pressed in.

For gentle clamping or pressing of thread spindles, axles, shafts and surface treated

parts.

Order No.	Material	Type	d ₁	l ₁	l ₂	d ₂	A/F	Weight g
P0125.040-007	Steel	Thermo Pad	M 4	7.0	1.0	2.0	2.0	0.3
P0125.040-009	Steel	Thermo Pad	M 4	9.0	1.0	2.0	2.0	0.4
P0125.040-011	Steel	Thermo Pad	M 4	11.0	1.0	2.0	2.0	0.6
P0125.040-013	Steel	Thermo Pad	M 4	13.0	1.0	2.0	2.0	0.7
P0125.040-017	Steel	Thermo Pad	M 4	17.0	1.0	2.0	2.0	1.0
P0125.040-021	Steel	Thermo Pad	M 4	21.0	1.0	2.0	2.0	1.3
P0125.050-009	Steel	Thermo Pad	M 5	9.0	1.0	3.0	2.5	0.7
P0125.050-011	Steel	Thermo Pad	M 5	11.0	1.0	3.0	2.5	0.8
P0125.050-013	Steel	Thermo Pad	M 5	13.0	1.0	3.0	2.5	1.0
P0125.050-017	Steel	Thermo Pad	M 5	17.0	1.0	3.0	2.5	1.2
P0125.050-021	Steel	Thermo Pad	M 5	21.0	1.0	3.0	2.5	2.0
P0125.050-026	Steel	Thermo Pad	M 5	26.0	1.0	3.0	2.5	2.6
P0125.060-011	Steel	Thermo Pad	M 6	11.3	1.3	3.5	3.0	1.2
P0125.060-013	Steel	Thermo Pad	M 6	13.3	1.3	3.5	3.0	1.5
P0125.060-017	Steel	Thermo Pad	M 6	17.3	1.3	3.5	3.0	2.2
P0125.060-021	Steel	Thermo Pad	M 6	21.3	1.3	3.5	3.0	2.8
P0125.060-026	Steel	Thermo Pad	M 6	26.3	1.3	3.5	3.0	3.8
P0125.060-033	Steel	Thermo Pad	M 6	33.3	1.3	3.5	3.0	4.9
P0125.060-041	Steel	Thermo Pad	M 6	41.3	1.3	3.5	3.0	6.3
P0125.060-051	Steel	Thermo Pad	M 6	51.3	1.3	3.5	3.0	7.9
P0125.080-013	Steel	Thermo Pad	M 8	13.6	1.6	5.0	4.0	2.6
P0125.080-017	Steel	Thermo Pad	M 8	17.6	1.6	5.0	4.0	3.6
P0125.080-021	Steel	Thermo Pad	M 8	21.6	1.6	5.0	4.0	5.0
P0125.080-026	Steel	Thermo Pad	M 8	26.6	1.6	5.0	4.0	6.4
P0125.080-033	Steel	Thermo Pad	M 8	33.6	1.6	5.0	4.0	8.5
P0125.080-041	Steel	Thermo Pad	M 8	41.6	1.6	5.0	4.0	11.0
P0125.080-051	Steel	Thermo Pad	M 8	51.6	1.6	5.0	4.0	14.0
P0125.080-064	Steel	Thermo Pad	M 8	64.6	1.6	5.0	4.0	18.0
P0125.100-018	Steel	Thermo Pad	M10	17.9	1.9	6.5	5.0	5.2
P0125.100-022	Steel	Thermo Pad	M10	21.9	1.9	6.5	5.0	7.1
P0125.100-027	Steel	Thermo Pad	M10	26.9	1.9	6.5	5.0	9.9
P0125.100-034	Steel	Thermo Pad	M10	33.9	1.9	6.5	5.0	13.0
P0125.100-042	Steel	Thermo Pad	M10	41.9	1.9	6.5	5.0	17.0
P0125.100-052	Steel	Thermo Pad	M10	51.9	1.9	6.5	5.0	22.0



Order No.	Material	Type	d ₁	l ₁	l ₂	d ₂	A/F	Weight g
P0125.100-065	Steel	Thermo Pad	M10	64.9	1.9	6.5	5.0	28.0
P0125.100-082	Steel	Thermo Pad	M10	81.9	1.9	6.5	5.0	36.0
P0125.120-022	Steel	Thermo Pad	M12	22.1	2.1	8.0	6.0	9.0
P0125.120-027	Steel	Thermo Pad	M12	27.1	2.1	8.0	6.0	10.0
P0125.120-034	Steel	Thermo Pad	M12	34.1	2.1	8.0	6.0	19.0
P0125.120-042	Steel	Thermo Pad	M12	42.1	2.1	8.0	6.0	24.0
P0125.120-052	Steel	Thermo Pad	M12	52.1	2.1	8.0	6.0	31.0
P0125.120-065	Steel	Thermo Pad	M12	65.1	2.1	8.0	6.0	40.0
P0125.120-082	Steel	Thermo Pad	M12	82.1	2.1	8.0	6.0	51.0

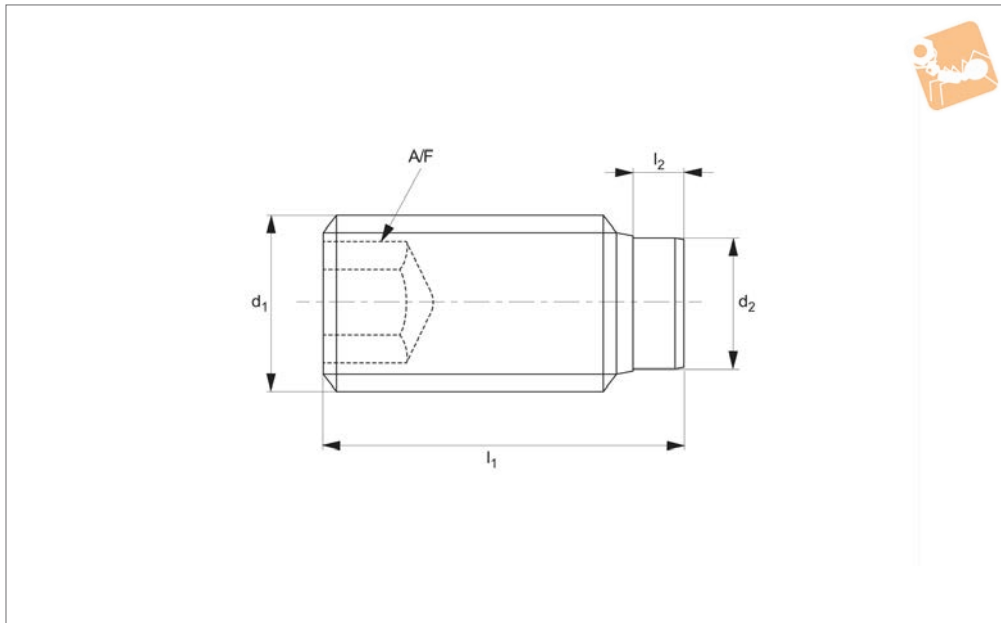
TIPPED SCREWS



Thrust Screws - Plastic Pad

stainless steel

Tipped Screws



P0124

TIPPED SCREWS

Material

Screw: stainless steel 1.4305 (AISI 303).
Pad: thermoplastic POM, white.

Technical Notes

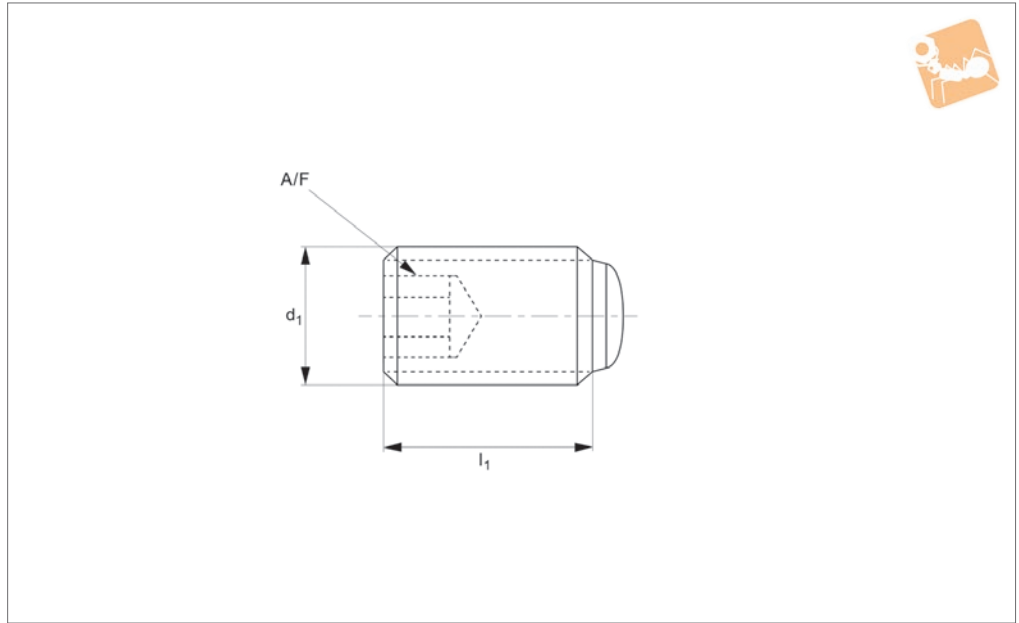
Thermoplastic bolt pressed in.
For gentle clamping or pressing of thread

spindles, axles, shafts and surface treated parts.

Order No.	Material	Type	d ₁	l ₁	l ₂	d ₂	A/F	Weight g
P0124.030-006	Stainless	Thermo Pad	M 3	5.8	0.8	1.5	1.5	0.3
P0124.040-007	Stainless	Thermo Pad	M 4	7.0	1.0	2.0	2.0	0.3
P0124.040-009	Stainless	Thermo Pad	M 4	9.0	1.0	2.0	2.0	0.4
P0124.040-011	Stainless	Thermo Pad	M 4	11.0	1.0	2.0	2.0	0.6
P0124.040-013	Stainless	Thermo Pad	M 4	13.0	1.0	2.0	2.0	0.7
P0124.040-017	Stainless	Thermo Pad	M 4	17.0	1.0	2.0	2.0	1.0
P0124.050-009	Stainless	Thermo Pad	M 5	9.0	1.0	3.0	2.5	0.7
P0124.050-011	Stainless	Thermo Pad	M 5	11.0	1.0	3.0	2.5	0.8
P0124.050-013	Stainless	Thermo Pad	M 5	13.0	1.0	3.0	2.5	1.0
P0124.050-017	Stainless	Thermo Pad	M 5	17.0	1.0	3.0	2.5	1.2
P0124.050-021	Stainless	Thermo Pad	M 5	21.0	1.0	3.0	2.5	2.0
P0124.060-013	Stainless	Thermo Pad	M 6	13.3	1.3	3.5	3.0	1.5
P0124.060-017	Stainless	Thermo Pad	M 6	17.3	1.3	3.5	3.0	2.2
P0124.060-021	Stainless	Thermo Pad	M 6	21.3	1.3	3.5	3.0	2.8
P0124.060-033	Stainless	Thermo Pad	M 6	33.3	1.3	3.5	3.0	4.9
P0124.080-013	Stainless	Thermo Pad	M 8	13.6	1.6	5.0	4.0	2.6
P0124.080-017	Stainless	Thermo Pad	M 8	17.6	1.6	5.0	4.0	3.6
P0124.080-021	Stainless	Thermo Pad	M 8	21.6	1.6	5.0	4.0	5.0
P0124.080-026	Stainless	Thermo Pad	M 8	26.6	1.6	5.0	4.0	6.4
P0124.080-033	Stainless	Thermo Pad	M 8	33.6	1.6	5.0	4.0	8.5
P0124.080-041	Stainless	Thermo Pad	M 8	41.6	1.6	5.0	4.0	11.0
P0124.100-018	Stainless	Thermo Pad	M10	17.9	1.9	6.5	5.0	5.2
P0124.100-022	Stainless	Thermo Pad	M10	21.9	1.9	6.5	5.0	7.1
P0124.100-027	Stainless	Thermo Pad	M10	26.9	1.9	6.5	5.0	9.9
P0124.100-034	Stainless	Thermo Pad	M10	33.9	1.9	6.5	5.0	13.0
P0124.100-042	Stainless	Thermo Pad	M10	41.9	1.9	6.5	5.0	17.0
P0124.100-052	Stainless	Thermo Pad	M10	51.9	1.9	6.5	5.0	22.0
P0124.120-022	Stainless	Thermo Pad	M12	22.1	2.1	8.0	6.0	9.0
P0124.120-027	Stainless	Thermo Pad	M12	27.1	2.1	8.0	6.0	10.0
P0124.120-034	Stainless	Thermo Pad	M12	34.1	2.1	8.0	6.0	19.0
P0124.120-042	Stainless	Thermo Pad	M12	42.1	2.1	8.0	6.0	24.0
P0124.120-052	Stainless	Thermo Pad	M12	52.1	2.1	8.0	6.0	31.0
P0124.120-065	Stainless	Thermo Pad	M12	65.1	2.1	8.0	6.0	40.0



P0129



TIPPED SCREWS

Material

Stainless steel (A2), with silver solder (semi-soft) tip.

face control, will not marr or damage shaft or part.

Length of screw excludes length of silver solder tip.

Technical Notes

Self-locking, extra holding power for full

Order No.	d ₁	l ₁ nom.	A/F
P0129.020-003	M 2	3	0.9
P0129.020-004	M 2	4	0.9
P0129.020-005	M 2	5	0.9
P0129.020-006	M 2	6	0.9
P0129.030-003	M 3	3	1.5
P0129.030-004	M 3	4	1.5
P0129.030-005	M 3	5	1.5
P0129.030-006	M 3	6	1.5
P0129.040-004	M 4	4	2.0
P0129.040-006	M 4	6	2.0
P0129.040-010	M 4	10	2.0
P0129.040-014	M 4	14	2.0
P0129.050-006	M 5	6	2.5
P0129.050-010	M 5	10	2.5
P0129.050-014	M 5	14	2.5
P0129.050-020	M 5	20	2.5
P0129.060-006	M 6	6	3.0
P0129.060-010	M 6	10	3.0
P0129.060-016	M 6	16	3.0
P0129.060-025	M 6	25	3.0
P0129.080-010	M 8	10	4.0
P0129.080-016	M 8	16	4.0
P0129.080-025	M 8	25	4.0
P0129.100-012	M10	12	5.0
P0129.100-020	M10	20	5.0
P0129.100-030	M10	30	5.0