

R3040

FLEXIBLE COUPLINGS

Material

Black polyurethane with plated mild steel hub.

Technical Notes

Absorbs end play.
3,600 rpm max.

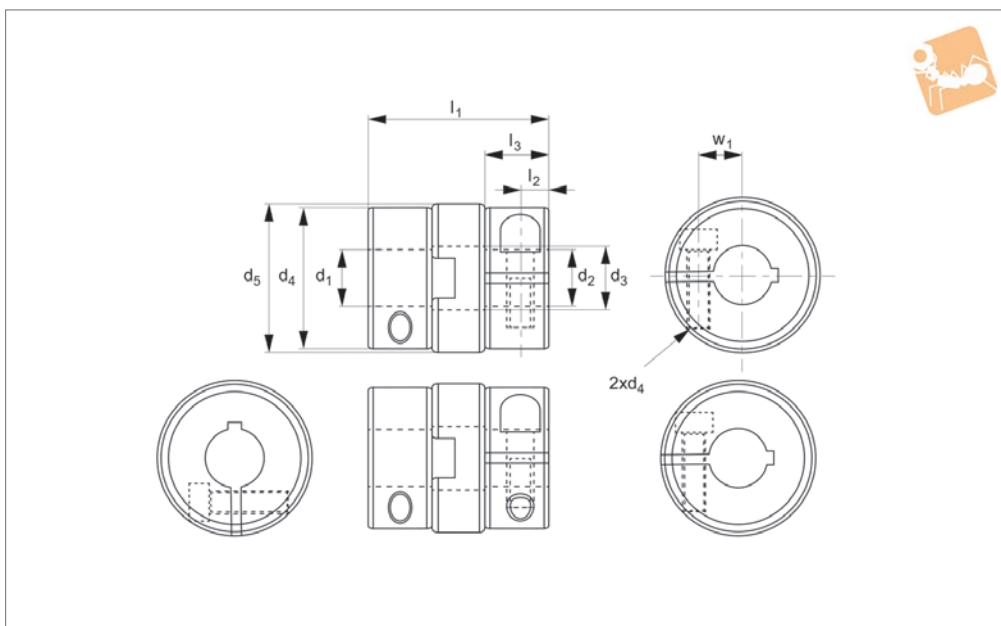
Quiet running.

Maintenance free (no moving parts).

Order No.	Hub	d ₁ & d ₂	d ₃	l	w	Torque Ncm max.	Lat. misalign. max.	Angle misalign. max.
R3040.005-E	External	5	28.5	28.5	17.5	30	2.4	10°
R3040.006-E	External	6	28.5	28.5	17.5	30	2.4	10°
R3040.008-E	External	8	28.5	28.5	17.5	30	2.4	10°
R3040.010-E	External	10	28.5	28.5	17.5	30	2.4	10°
R3040.006-I	Internal	6	47.5	44.5	25.5	135	3.2	15°
R3040.008-I	Internal	8	47.5	44.5	25.5	135	3.2	15°
R3040.010-I	Internal	10	47.5	44.5	25.5	135	3.2	15°
R3040.011-I	Internal	11	47.5	44.5	25.5	135	3.2	15°
R3040.013-I	Internal	13	47.5	44.5	25.5	135	3.2	15°
R3040.110-I	Internal	10	54.0	54.0	32.0	315	4.7	15°
R3040.111-I	Internal	11	54.0	54.0	32.0	315	4.7	15°
R3040.113-I	Internal	13	54.0	54.0	32.0	315	4.7	15°
R3040.014-I	Internal	14	54.0	54.0	32.0	315	4.7	15°
R3040.016-I	Internal	16	54.0	54.0	32.0	315	4.7	15°
R3040.213-I	Internal	13	54.0	60.5	32.0	450	3.2	15°
R3040.114-I	Internal	14	54.0	60.5	32.0	450	3.2	15°
R3040.116-I	Internal	16	54.0	60.5	32.0	450	3.2	15°



R3054



Material

Hub - stainless steel 1,4305.
Insert - polyurethane, bronze or nylon.

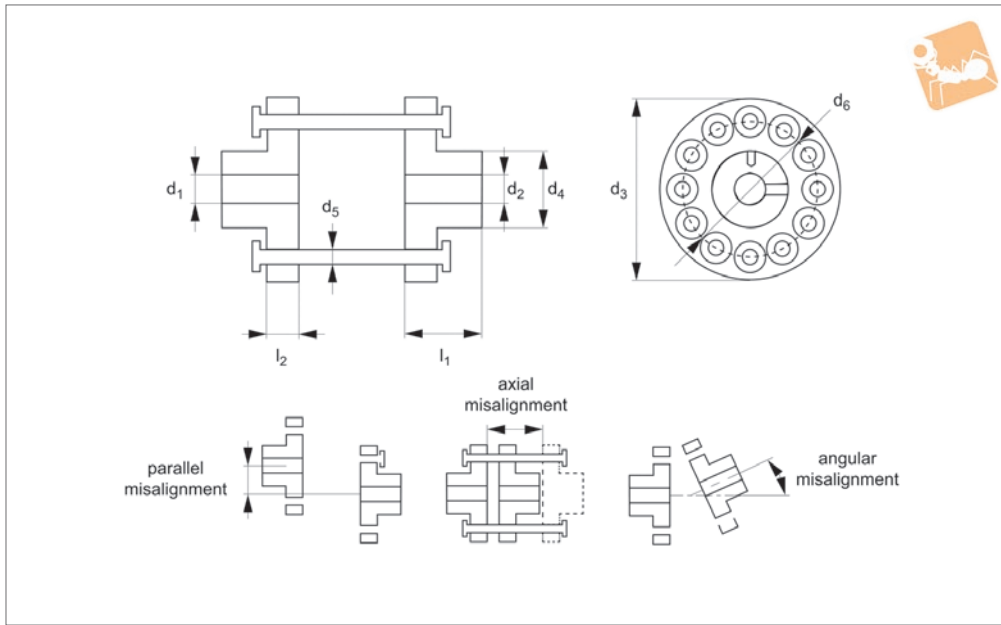
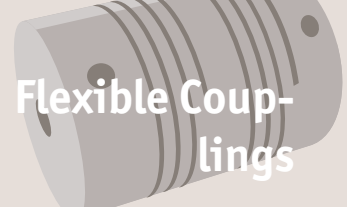
Technical Notes

Max. shaft to shaft misalignment 0,3mm.
Max. angular misalignment 1°.

Max. backlash 10 minutes.

For clamps see part no. R3250.

Order No.	Type	l	Ø B	Ø d	Ø H	Torque Ncm max.	Ø C	Centre material
CO3-4M-U	Pin	16.7	3.995	15.9	7.9	50	-	Polyur.
CO3-4M-B	Pin	16.7	3.995	15.9	7.9	250	-	Bronze
CO3-4M-N	Pin	16.7	3.995	15.9	7.9	75	-	Nylon
CO3-5M-U	Pin	18.3	4.995	15.9	9.5	50	-	Polyur.
CO3-5M-B	Pin	18.3	4.995	15.9	9.5	250	-	Bronze
CO3-5M-N	Pin	18.3	4.995	15.9	9.5	75	-	Nylon
CO3-6M-U	Pin	19.8	5.995	15.9	12.7	50	-	Polyur.
CO3-6M-B	Pin	19.8	5.995	15.9	12.7	250	-	Bronze
CO3-6M-N	Pin	19.8	5.995	15.9	12.7	75	-	Nylon
CO3-8M-U	Pin	19.8	7.995	15.9	12.7	50	-	Polyur.
CO3-8M-B	Pin	19.8	7.995	15.9	12.7	250	-	Bronze
CO3-8M-N	Pin	19.8	7.995	15.9	12.7	75	-	Nylon
CO3-10M-U	Pin	39.7	9.995	34.9	19.1	250	-	Polyur.
CO3-10M-N	Pin	39.7	9.995	34.9	19.1	360	-	Nylon
CO3-13M-U	Pin	46.0	12.995	38.1	25.4	300	-	Polyur.
CO3-13M-B	Pin	46.0	12.995	38.1	25.4	1225	-	Bronze
CO3-13M-N	Pin	46.0	12.995	38.1	25.4	430	-	Nylon
CO6-4M-U	Clamp	21.4	3.995	15.9	-	50	5.6	Polyur.
CO6-4M-B	Clamp	21.4	3.995	15.9	-	250	5.6	Bronze
CO6-4M-N	Clamp	21.4	3.995	15.9	-	75	5.6	Nylon
CO6-5M-U	Clamp	21.4	4.995	15.9	--	50	6.6	Polyur.
CO6-5M-B	Clamp	21.4	4.995	15.9	-	250	6.6	Bronze
CO6-5M-N	Clamp	21.4	4.995	15.9	-	75	6.6	Nylon
CO6-6M-U	Clamp	21.4	5.995	15.9	-	50	7.6	Polyur.
CO6-6M-B	Clamp	21.4	5.995	15.9	-	250	7.6	Bronze
CO6-6M-N	Clamp	21.4	5.995	15.9	-	75	7.6	Nylon



R3060

FLEXIBLE COUPLINGS

Material

Aluminium (DIN 3,1355) body with polyurethane connection shafts.

Technical Notes

Allows for very high levels of axial and

angular misalignment.

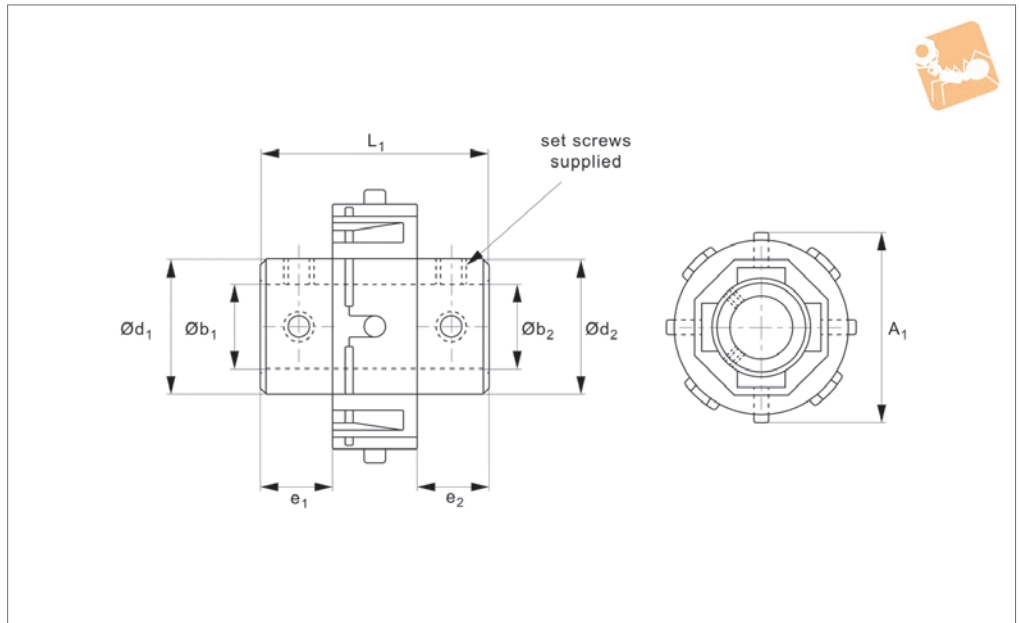
Type A - allows 10° of angular misalignment.

Type B - allows 30° of angular misalignment.

Order No.	d_1 & d_2 +0.5	d_3	d_4	d_5	d_6	l_1	l_2	Torque Ncm max.	Angle misalign. max.	No. of pins	Parallel misalign. mm max.	Axial misalign. mm max.
R3060.003-A	3	17.5	8.0	1.6	14.3	8.0	3.2	280	10°	8	1.6	3.6
R3060.005-A	5	25.5	9.5	3.2	19.1	8.7	3.2	390	10°	8	3.2	4.8
R3060.007-A	7	32.0	12.7	3.2	25.4	11.0	4.8	560	10°	10	6.4	6.4
R3060.008-A	8	38.0	12.7	4.8	28.6	11.0	4.8	680	10°	10	5.6	7.9
R3060.010-A	10	50.0	19.0	6.4	38.1	19.0	9.5	1130	10°	12	4.0	9.5
R3060.013-A	13	63.5	25.5	7.9	47.6	22.0	9.5	2260	10°	12	3.2	12.7
R3060.003-B	3	17.5	8.0	1.6	14.3	8.0	3.2	280	30°	8	12.7	11.0
R3060.005-B	5	25.5	9.5	3.2	19.1	8.7	3.2	390	30°	8	16.0	16.0
R3060.007-B	7	32.0	12.7	3.2	25.4	11.0	4.8	560	30°	10	19.0	22.0
R3060.008-B	8	38.0	12.7	4.8	28.6	11.0	4.8	680	30°	10	22.0	28.5
R3060.010-B	10	50.0	19.0	6.4	38.1	19.0	9.5	1130	30°	12	22.5	35.0
R3060.013-B	13	63.5	25.5	7.9	47.6	22.0	9.5	2260	30°	12	32.0	51.0



R3062



Material

Delrin outer ring, brass or aluminium hub.

Offers simultaneous lateral and angular misalignment.

Shaft can pass through for easy installation.

Technical Notes

Zero backlash, low inertia.

Corrosion resistant, no lubrication required, resonance damping.

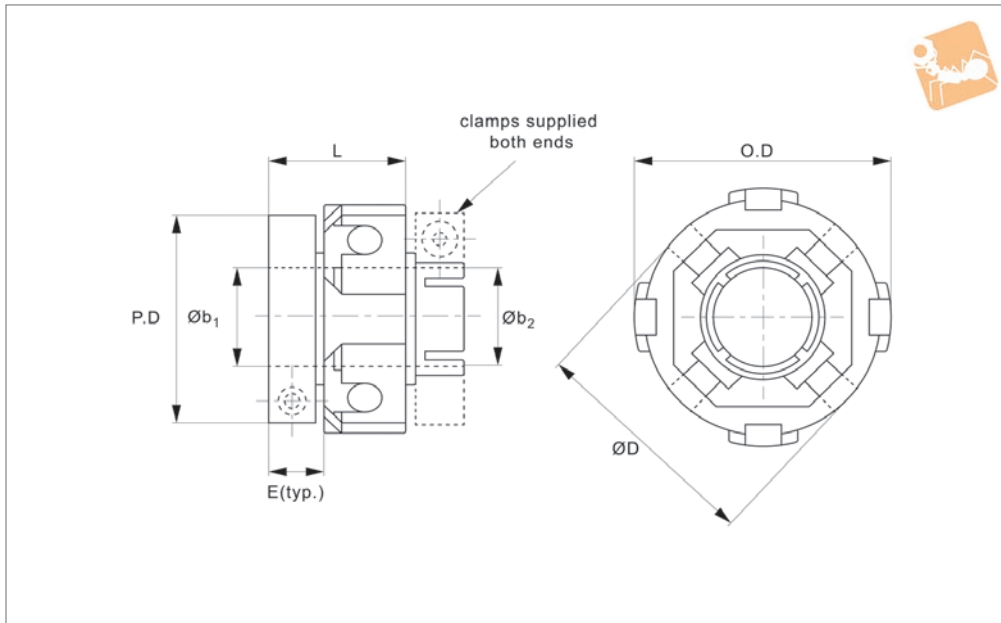
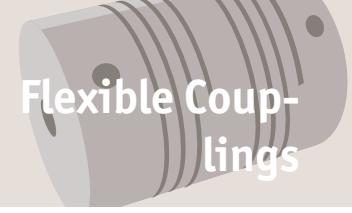
Max. lateral misalignment 0,05.
Max. operating temperature +60°C.

Order No.	Hub	d ₁ +0.03	d ₂ +0.03	d ₃	d ₄	d ₅	l ₁	l ₂	l ₃	Torque Ncm max.	Angle misalign. max.	Parallel misalign. max.
R3062.003-003-BR	Brass	3	3	8.9	8.9	18	14.2	4.0	4.0	27	10°	1.3
R3062.004-004-BR	Brass	4	4	8.9	8.9	18	14.2	4.0	4.0	27	10°	1.3
R3062.005-005-BR	Brass	5	5	8.9	8.9	18	14.2	4.0	4.0	27	10°	1.3
R3062.004-006-BR	Brass	4	6	8.9	11.1	18	16.7	4.0	6.5	27	10°	1.3
R3062.006-006-BR	Brass	6	6	11.1	11.1	18	19.1	6.5	6.5	27	10°	1.3
R3062.003-006-BR	Brass	3	6	12.7	12.7	27.2	19.1	4.8	4.8	169	10°	1.3
R3062.103-004-BR	Brass	4	4	12.7	12.7	27.2	19.1	4.8	4.8	169	10°	1.3
R3062.104-006-BR	Brass	4	6	12.7	12.7	27.2	19.1	4.8	4.8	169	10°	1.3
R3062.106-006-BR	Brass	6	6	12.7	12.7	27.2	19.1	4.8	4.8	169	10°	1.3
R3062.006-010-BR	Brass	6	10	12.7	15.1	27.2	22.3	4.8	7.9	169	10°	1.3
R3062.008-008-BR	Brass	8	8	15.1	15.1	27.2	25.4	7.9	7.9	86	10°	1.3
R3062.010-010-BR	Brass	10	10	15.1	15.1	27.2	25.4	7.9	7.9	86	10°	1.3
R3062.006-006-AL	Alum.	6	6	17.6	17.6	33.7	25.2	7.6	7.6	248	10°	1.3
R3062.006-010-AL	Alum.	6	10	17.6	17.6	33.7	25.2	7.6	7.6	248	10°	1.3
R3062.008-008-AL	Alum.	8	8	17.6	17.6	33.7	25.2	7.6	7.6	248	10°	1.3
R3062.010-012-AL	Alum.	10	12	17.6	20.1	33.7	28.0	7.6	10.2	248	10°	1.3
R3062.012-012-AL	Alum.	12	12	20.1	20.1	33.7	30.7	10.2	10.2	248	10°	1.3
R3062.106-006-AL	Alum.	6	6	22.1	22.1	41.4	28.4	7.6	7.6	429	10°	1.3
R3062.007-007-AL	Alum.	7	7	22.1	22.1	41.4	28.4	7.6	7.6	429	10°	1.3
R3062.108-008-AL	Alum.	8	8	22.1	22.1	41.4	28.4	7.6	7.6	429	10°	1.3
R3062.010-010-AL	Alum.	10	10	22.1	22.1	41.4	28.4	7.6	7.6	429	10°	1.3
R3062.016-016-AL	Alum.	16	16	24.2	24.2	41.4	38.1	12.5	12.5	429	10°	1.3



Universal Lateral coupling clamp version

Flexible Couplings



R3063

FLEXIBLE COUPLINGS

Material

Delrin outer ring, brass or aluminium hub.

Technical Notes

Zero backlash, low inertia.
Offers simultaneous lateral and angular misalignment.

Corrosion resistant, no lubrication required.

Resonance damping, shaft can pass through for easy installation.
Max. lateral misalignment 1,0
Max. operating temperature +60°C.

Tips

Clamp hub is integral to hub on C029 series.
Additional bore sizes on request.

Order No.	Hub	d_1 +0.03 -0.00	d_2 +0.03 -0.00	d_3	d_4	l_1	l_2	Torque Ncm max.	Angle misalign. max.
R3063.003-006-BR	Brass	3.18	6.35	19.1	19.1	19.1	6.5	27	10°
R3063.006-006-BR	Brass	6.00	6.00	19.1	19.1	19.1	6.5	27	10°
R3063.106-006-BR	Brass	6.35	6.35	19.1	19.1	19.1	6.5	27	10°
R3063.005-005-BR	Brass	5.00	5.00	27.2	27.9	25.4	7.9	169	10°
R3063.206-006-BR	Brass	6.00	6.00	27.2	27.9	25.4	7.9	169	10°
R3063.006-008-BR	Brass	6.00	8.00	27.2	27.9	25.4	7.9	169	10°
R3063.007-007-BR	Brass	7.00	7.00	27.2	27.9	25.4	7.9	169	10°
R3063.006-006-AL	Alum.	6.00	6.00	20.1	33.7	30.7	10.2	248	10°
R3063.006-008-AL	Alum.	6.00	8.00	20.1	33.7	30.7	10.2	248	10°
R3063.008-010-AL	Alum.	8.00	10.00	20.1	33.7	30.7	10.2	248	10°
R3063.010-010-AL	Alum.	10.00	10.00	20.1	33.7	30.7	10.2	248	10°
R3063.106-006-AL	Alum.	6.00	6.00	24.2	41.4	38.1	12.5	429	10°
R3063.006-012-AL	Alum.	6.00	12.00	24.2	41.4	38.1	12.5	429	10°
R3063.008-008-AL	Alum.	8.00	8.00	24.2	41.4	38.1	12.5	429	10°
R3063.010-012-AL	Alum.	10.00	12.00	24.2	41.4	38.1	12.5	429	10°
R3063.011-011-AL	Alum.	11.00	11.00	24.2	41.4	38.1	12.5	429	10°
R3063.012-012-AL	Alum.	12.00	12.00	24.2	41.4	38.1	12.5	429	10°