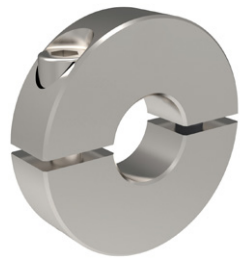




Shaft Collars - Two Piece

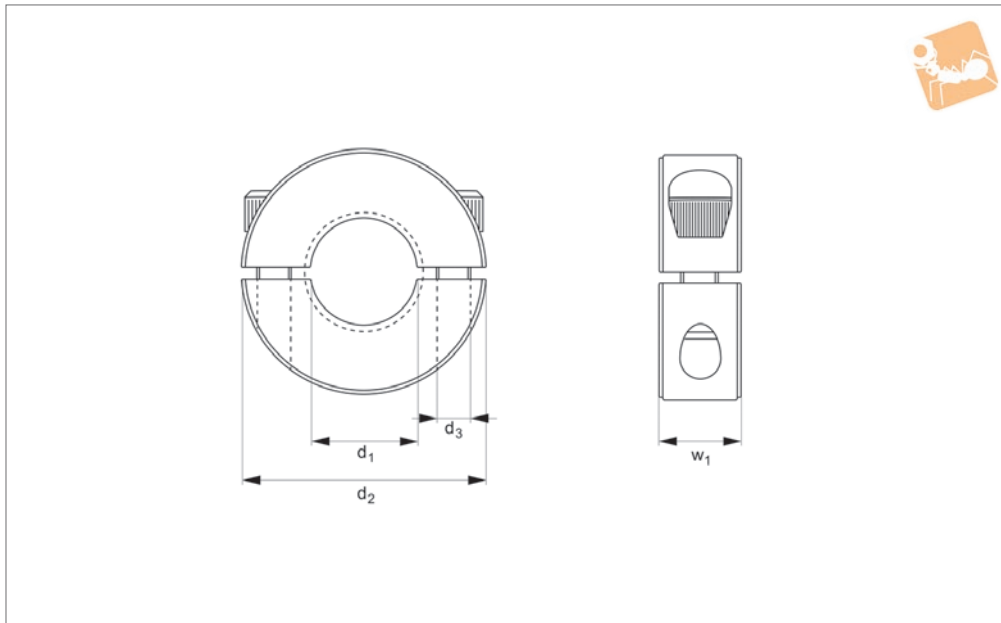
Steel & stainless

Rigid Couplings



R3210

RIGID COUPLINGS



Material

Steel (AISI 12L14), black oxide finish, or stainless steel (A2, AISI 303).
Other materials available on request.

Technical Notes

Design fully engages the shaft without

marring or damaging.

Two piece collars are easily installed where major disassembly would otherwise be required.

Greater axial holding power than set screw collars, effective on hard and soft shafts.

Important Notes

Different bore sizes available on request.
For keyways, please add „-KW“ suffix when ordering.

Order No.	Material	d ₁ tol. H7/H8	d ₂ tol. H7/H8	d ₃	w	Torque screw to Nm	Weight g
R3210.030-BL	Black oxide steel	3	16	M 3	9	2.0	10
R3210.040-BL	Black oxide steel	4	16	M 3	9	2.0	10
R3210.050-BL	Black oxide steel	5	16	M 3	9	2.0	10
R3210.060-BL	Black oxide steel	6	16	M 3	9	2.0	10
R3210.080-BL	Black oxide steel	8	18	M 3	9	2.0	10
R3210.090-BL	Black oxide steel	9	24	M 3	9	2.0	20
R3210.100-BL	Black oxide steel	10	24	M 3	9	2.0	20
R3210.120-BL	Black oxide steel	12	28	M 4	11	4.5	40
R3210.130-BL	Black oxide steel	13	30	M 4	11	4.5	40
R3210.140-BL	Black oxide steel	14	30	M 4	11	4.5	40
R3210.150-BL	Black oxide steel	15	34	M 5	13	9.5	70
R3210.160-BL	Black oxide steel	16	34	M 5	13	9.5	70
R3210.170-BL	Black oxide steel	17	36	M 5	13	9.5	80
R3210.180-BL	Black oxide steel	18	36	M 5	13	9.5	70
R3210.200-BL	Black oxide steel	20	40	M 6	15	16.5	110
R3210.250-BL	Black oxide steel	25	47	M 6	15	16.5	120
R3210.300-BL	Black oxide steel	30	54	M 6	15	16.5	180
R3210.350-BL	Black oxide steel	35	57	M 6	15	16.5	180
R3210.400-BL	Black oxide steel	40	60	M 6	15	16.5	180
R3210.450-BL	Black oxide steel	45	73	M 8	19	39.0	380
R3210.500-BL	Black oxide steel	50	78	M 8	19	39.0	410
R3210.550-BL	Black oxide steel	55	82	M 8	19	39.0	430
R3210.600-BL	Black oxide steel	60	88	M 8	19	39.0	480
R3210.650-BL	Black oxide steel	65	93	M 8	19	39.0	510
R3210.700-BL	Black oxide steel	70	98	M 8	19	39.0	550
R3210.750-BL	Black oxide steel	75	103	M 8	19	39.0	580
R3210.800-BL	Black oxide steel	80	108	M 8	19	39.0	610
R3210.030-A2	Stainless	3	16	M 3	9	1.0	10
R3210.040-A2	Stainless	4	16	M 3	9	1.0	10
R3210.050-A2	Stainless	5	16	M 3	9	1.0	10
R3210.060-A2	Stainless	6	16	M 3	9	1.0	10



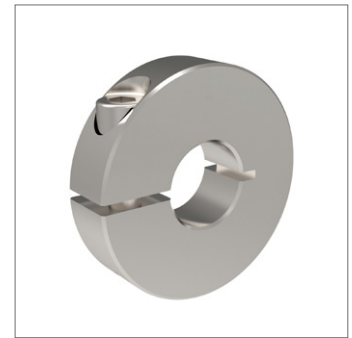
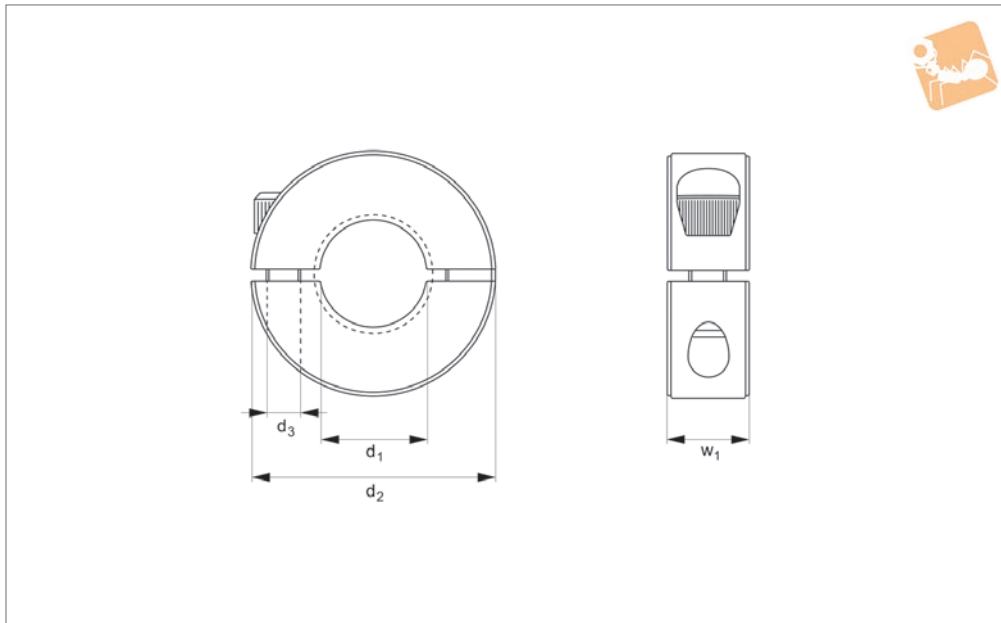
Order No.	Material	d ₁ tol. H7/H8	d ₂ tol. H7/H8	d ₃	w	Torque screw to Nm	Weight g
R3210.080-A2	Stainless	8	18	M 3	9	1.0	30
R3210.090-A2	Stainless	9	24	M 3	9	1.0	20
R3210.100-A2	Stainless	10	24	M 3	9	1.0	20
R3210.120-A2	Stainless	12	28	M 4	11	2.5	40
R3210.130-A2	Stainless	13	30	M 4	11	2.5	40
R3210.140-A2	Stainless	14	30	M 4	11	2.5	40
R3210.150-A2	Stainless	15	34	M 5	13	5.0	70
R3210.160-A2	Stainless	16	34	M 5	13	5.0	60
R3210.170-A2	Stainless	17	36	M 5	13	5.0	80
R3210.180-A2	Stainless	18	36	M 5	13	5.0	70
R3210.200-A2	Stainless	20	40	M 6	15	8.5	100
R3210.250-A2	Stainless	25	47	M 6	15	8.5	140
R3210.300-A2	Stainless	30	54	M 6	15	8.5	170
R3210.350-A2	Stainless	35	57	M 6	15	8.5	170
R3210.400-A2	Stainless	40	60	M 6	15	8.5	160
R3210.450-A2	Stainless	45	73	M 8	19	20.5	350
R3210.500-A2	Stainless	50	78	M 8	19	20.5	380
R3210.550-A2	Stainless	55	82	M 8	19	20.5	430
R3210.600-A2	Stainless	60	88	M 8	19	20.5	440
R3210.650-A2	Stainless	65	93	M 8	19	20.5	510
R3210.700-A2	Stainless	70	98	M 8	19	20.5	550
R3210.750-A2	Stainless	75	103	M 8	19	20.5	580
R3210.800-A2	Stainless	80	108	M 8	19	20.5	610



Shaft Collars - One Piece

Steel & stainless

Rigid Couplings



R3212

RIGID COUPLINGS

Material

Steel (AISI 12L14), black oxide finish, or stainless steel (A2, AISI 303).

marring or damaging. Greater axial holding power than set screw collars, effective on hard and soft shafts.

For keyways, please add „-KW“ suffix when ordering.

Technical Notes

Design fully engages the shaft without

Important Notes

Different bore sizes available on request.

Order No.	Material	d ₁ tol. H7/H8	d ₂ tol. H7/H8	d ₃	w	Torque screw to Nm	Weight g
R3212.030-BL	Steel	3	16	M 3	9	2.0	10
R3212.040-BL	Steel	4	16	M 3	9	2.0	10
R3212.050-BL	Steel	5	16	M 3	9	2.0	10
R3212.060-BL	Steel	6	16	M 3	9	2.0	10
R3212.080-BL	Steel	8	18	M 3	9	2.0	10
R3212.090-BL	Steel	9	24	M 3	9	2.0	20
R3212.100-BL	Steel	10	24	M 3	9	2.0	20
R3212.120-BL	Steel	12	28	M 4	11	4.5	40
R3212.130-BL	Steel	13	30	M 4	11	4.5	40
R3212.140-BL	Steel	14	30	M 4	11	4.5	40
R3212.150-BL	Steel	15	34	M 5	13	9.5	70
R3212.160-BL	Steel	16	34	M 5	13	9.5	70
R3212.170-BL	Steel	17	36	M 5	13	9.5	80
R3212.180-BL	Steel	18	36	M 5	13	9.5	70
R3212.200-BL	Steel	20	40	M 6	15	16.5	110
R3212.250-BL	Steel	25	47	M 6	15	16.5	120
R3212.300-BL	Steel	30	54	M 6	15	16.5	180
R3212.350-BL	Steel	35	57	M 6	15	16.5	180
R3212.400-BL	Steel	40	60	M 6	15	16.5	180
R3212.450-BL	Steel	45	73	M 8	19	39.0	380
R3212.500-BL	Steel	50	78	M 8	19	39.0	410
R3212.550-BL	Steel	55	82	M 8	19	39.0	430
R3212.600-BL	Steel	60	88	M 8	19	39.0	480
R3212.650-BL	Steel	65	93	M 8	19	39.0	510
R3212.700-BL	Steel	70	98	M 8	19	39.0	550
R3212.750-BL	Steel	75	103	M 8	19	39.0	580
R3212.800-BL	Steel	80	108	M 8	19	39.0	610
R3212.030-A2	Stainless	3	16	M 3	9	1.0	10
R3212.040-A2	Stainless	4	16	M 3	9	1.0	10
R3212.050-A2	Stainless	5	16	M 3	9	1.0	10
R3212.060-A2	Stainless	6	16	M 3	9	1.0	10
R3212.080-A2	Stainless	8	18	M 3	9	1.0	10



RIGID COUPLINGS

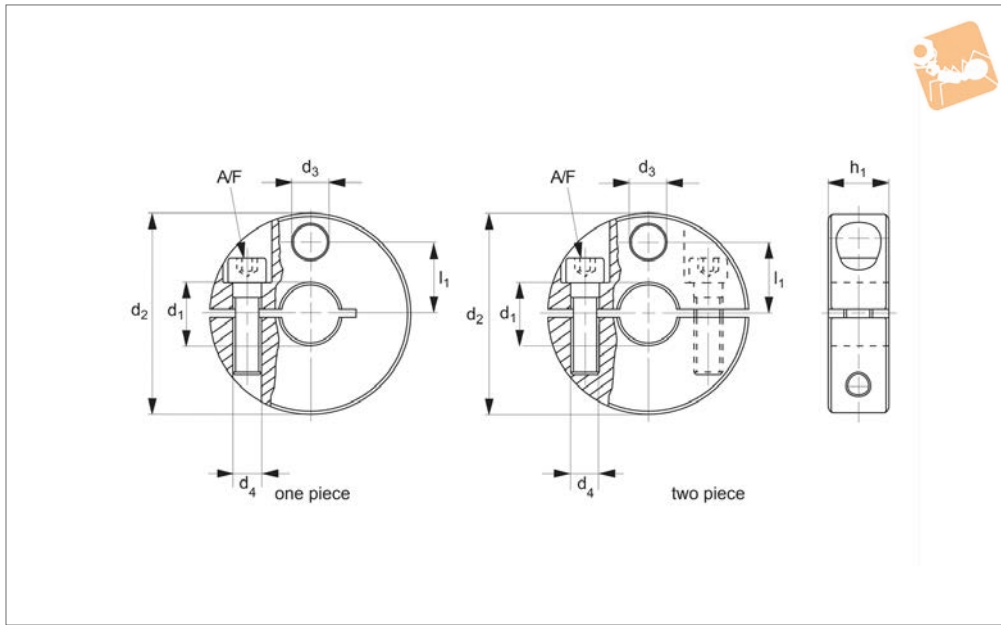
Order No.	Material	d ₁ tol. H7/H8	d ₂ tol. H7/H8	d ₃	w	Torque screw to Nm	Weight g
R3212.090-A2	Stainless	9	24	M 3	9	1.0	20
R3212.100-A2	Stainless	10	24	M 3	9	1.0	20
R3212.120-A2	Stainless	12	28	M 4	11	2.5	40
R3212.130-A2	Stainless	13	30	M 4	11	2.5	40
R3212.140-A2	Stainless	14	30	M 4	11	2.5	40
R3212.150-A2	Stainless	15	34	M 5	13	5.0	70
R3212.160-A2	Stainless	16	34	M 5	13	5.0	70
R3212.170-A2	Stainless	17	36	M 5	13	5.0	80
R3212.180-A2	Stainless	18	36	M 5	13	5.0	70
R3212.200-A2	Stainless	20	40	M 6	15	8.5	110
R3212.250-A2	Stainless	25	47	M 6	15	8.5	120
R3212.300-A2	Stainless	30	54	M 6	15	8.5	180
R3212.350-A2	Stainless	35	57	M 6	15	8.5	180
R3212.400-A2	Stainless	40	60	M 6	15	8.5	180
R3212.450-A2	Stainless	45	73	M 8	19	20.5	380
R3212.500-A2	Stainless	50	78	M 8	19	20.5	410
R3212.550-A2	Stainless	55	52	M 8	19	20.5	430
R3212.600-A2	Stainless	60	88	M 8	19	20.5	480
R3212.650-A2	Stainless	65	93	M 8	19	20.5	510
R3212.700-A2	Stainless	70	98	M 8	19	20.5	550
R3212.750-A2	Stainless	75	103	M 8	19	20.5	580
R3212.800-A2	Stainless	80	108	M 8	19	20.5	610



Set Collars

sensor adapter - stainless steel

Rigid Couplings



R3213

RIGID COUPLINGS

Material

Set collar and screw: stainless steel (AISI 420, 1.4021).

Technical Notes

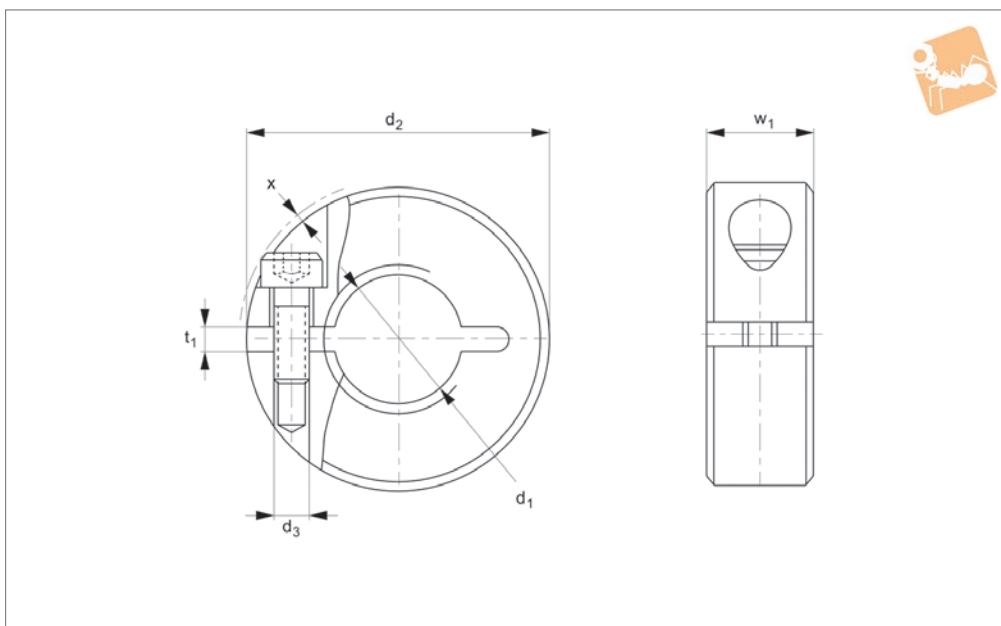
Clamping ring made of stainless steel with

strong clamping force. Available in two versions, slotted (one piece) and divided (two piece). Clamping rings with $d_1 > 10\text{mm}$ supplied with fixing hole (d_3) for the mounting of sensors, switches etc.

Order No.	Type	d_1 tol. H8	d_2 -0.5	d_3	d_4	l_1	h_1	A/F	Weight g
R3213.100-1	One piece	10	40	6.5	M 5	14.5	12	4	99
R3213.120-1	One piece	12	40	6.5	M 5	14.5	12	4	94
R3213.140-1	One piece	14	45	9.0	M 6	16.5	13	5	125
R3213.150-1	One piece	15	45	9.0	M 6	16.5	13	5	122
R3213.160-1	One piece	16	45	9.0	M 6	16.5	13	5	120
R3213.180-1	One piece	18	50	9.0	M 6	18.5	13	5	151
R3213.200-1	One piece	20	50	9.0	M 6	18.5	13	5	144
R3213.220-1	One piece	22	65	13.0	M 8	23.5	18	6	359
R3213.240-1	One piece	24	65	13.0	M 8	23.5	18	6	349
R3213.250-1	One piece	25	65	13.0	M 8	23.5	18	6	345
R3213.300-1	One piece	30	75	13.0	M 8	27.0	20	6	108
R3213.320-1	One piece	32	80	13.0	M 8	30.0	20	6	588
R3213.350-1	One piece	35	80	13.0	M 8	30.0	20	6	566
R3213.100-2	Two piece	10	40	6.5	M 5	14.5	12	4	94
R3213.120-2	Two piece	12	40	6.5	M 5	14.5	12	4	90
R3213.140-2	Two piece	14	45	9.0	M 6	16.5	13	5	114
R3213.150-2	Two piece	15	45	9.0	M 6	16.5	13	5	112
R3213.160-2	Two piece	16	45	9.0	M 6	16.5	13	5	110
R3213.180-2	Two piece	18	50	9.0	M 6	18.5	13	5	142
R3213.200-2	Two piece	20	50	9.0	M 6	18.5	13	5	139
R3213.220-2	Two piece	22	65	13.0	M 8	23.5	18	6	341
R3213.240-2	Two piece	24	65	13.0	M 8	23.5	18	6	330
R3213.250-2	Two piece	25	65	13.0	M 8	23.5	18	6	330
R3213.300-2	Two piece	30	75	13.0	M 8	27.0	20	6	488
R3213.320-2	Two piece	32	80	13.0	M 8	30.0	20	6	564
R3213.350-2	Two piece	35	80	13.0	M 8	30.0	20	6	542



R3214



Material

Steel with blackened oxide finish or Stainless steel (A4).

Technical Notes

Design engages a threaded shaft without

marring or damaging the thread.

larger.

Important Notes

Screw is a through hole for sizes M20 and smaller.

Screw is a blind hole for sizes M24 and

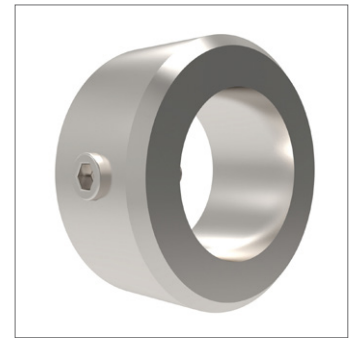
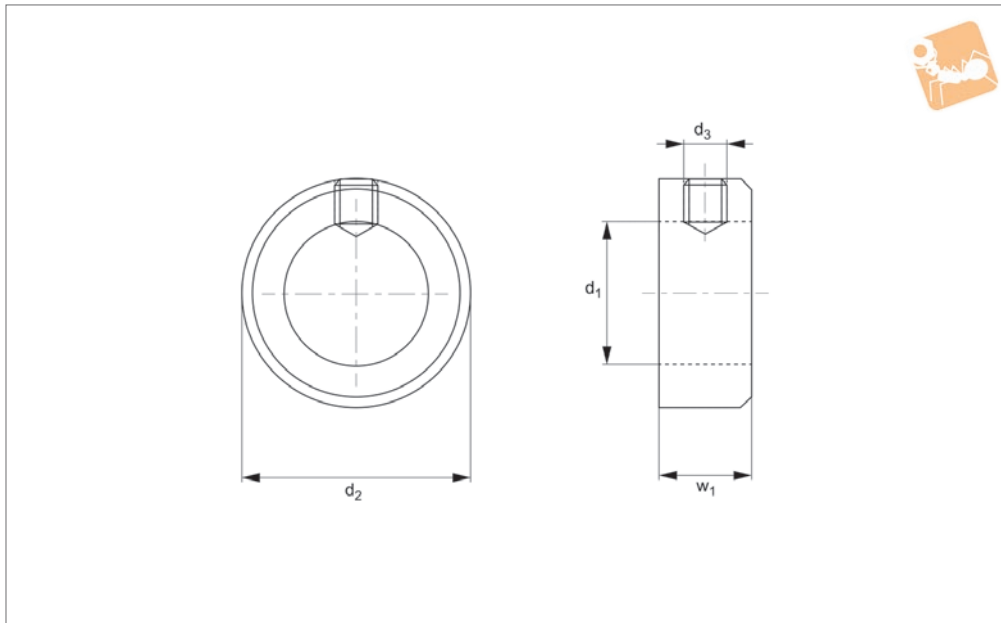
Order No.	d ₁ for thread tol. 6H	d ₂	d ₃	t	w	x . Cap screw max. protrusion	Weight g
R3214.080-BL	M 8	20	M 3	2.1	9	1.0	15
R3214.100-BL	M10	22	M 3	2.1	9	0.8	15
R3214.120-BL	M12	26	M 4	2.1	11	1.6	15
R3214.160-BL	M16	32	M 4	2.1	11	0.7	15
R3214.200-BL	M20	42	M 5	3.0	15	0.6	15
R3214.080-100-BL	M 8 x 1,0	20	M 3	2.1	9	1.0	15
R3214.100-100-BL	M10 x 1,0	22	M 3	2.1	9	0.8	15
R3214.120-150-BL	M12 x 1,5	26	M 4	2.1	11	1.6	15
R3214.160-150-BL	M16 x 1,5	32	M 4	2.1	11	0.7	15
R3214.200-150-BL	M20 x 1,5	42	M 5	3.0	15	0.6	15
R3214.240-150-BL	M24 x 1,5	48	M 5	3.0	15	0.0	15
R3214.300-150-BL	M30 x 1,5	55	M 6	3.0	15	0.4	15
R3214.080-A4	M 8	20	M 3	2.1	9	1.0	15
R3214.100-A4	M10	22	M 3	2.1	9	0.8	15
R3214.120-A4	M12	26	M 4	2.1	11	1.6	15
R3214.160-A4	M16	32	M 4	2.1	11	0.7	15
R3214.200-A4	M20	42	M 5	3.0	15	0.6	15
R3214.080-100-A4	M 8 x 1,0	20	M 3	2.1	9	1.0	15
R3214.100-100-A4	M10 x 1,0	22	M 3	2.1	9	0.8	15
R3214.120-150-A4	M12 x 1,5	26	M 4	2.1	11	1.6	15
R3214.160-150-A4	M16 x 1,5	32	M 4	2.1	11	0.7	15
R3214.200-150-A4	M20 x 1,5	42	M 5	3.0	15	0.6	15
R3214.240-150-A4	M24 x 1,5	48	M 5	3.0	15	0.0	15
R3214.300-150-A4	M30 x 1,5	55	M 6	3.0	15	0.4	15



Set Collars - Hex Set Screw

Stainless & Steel

Rigid Couplings



R3216

RIGID COUPLINGS

Material

Black oxide steel or stainless steel (A2, AISI 303).

Technical Notes

To DIN 705 B, set screw to DIN 914.

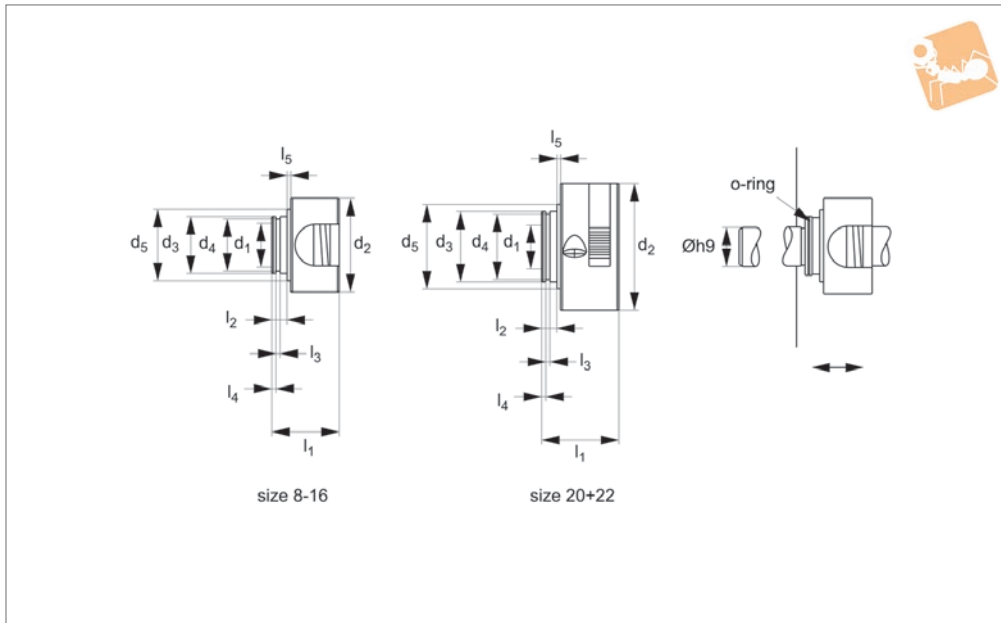
Important Notes

Different bore sizes available on request.
For keyways, please add „-KW“ suffix when ordering.

Order No.	Material	d_1 tol. H7/H8	d_2 tol. H7/H8	d_3	w
R3216.030-BL	Black oxide steel	3	7	M 2	5
R3216.040-BL	Black oxide steel	4	8	M2,5	5
R3216.050-BL	Black oxide steel	5	10	M 3	6
R3216.060-BL	Black oxide steel	6	12	M 4	8
R3216.080-BL	Black oxide steel	8	16	M 4	8
R3216.100-BL	Black oxide steel	10	20	M 5	10
R3216.120-BL	Black oxide steel	12	22	M 6	12
R3216.150-BL	Black oxide steel	15	25	M 6	12
R3216.200-BL	Black oxide steel	20	32	M 6	14
R3216.250-BL	Black oxide steel	25	40	M 8	16
R3216.300-BL	Black oxide steel	30	45	M 8	16
R3216.350-BL	Black oxide steel	35	56	M 8	16
R3216.400-BL	Black oxide steel	40	63	M10	18
R3216.500-BL	Black oxide steel	50	80	M10	18
R3216.050-A2	Stainless	5	10	M 3	6
R3216.080-A2	Stainless	8	16	M 4	8
R3216.060-A2	Stainless	6	12	M 4	8
R3216.100-A2	Stainless	10	20	M 5	10
R3216.120-A2	Stainless	12	22	M 6	12
R3216.140-A2	Stainless	14	25	M 6	12
R3216.150-A2	Stainless	15	25	M 6	12
R3216.160-A2	Stainless	16	28	M 6	12
R3216.180-A2	Stainless	18	32	M 6	14
R3216.200-A2	Stainless	20	32	M 6	14
R3216.220-A2	Stainless	22	36	M 6	14
R3216.240-A2	Stainless	24	40	M 8	16
R3216.250-A2	Stainless	25	40	M 8	16
R3216.280-A2	Stainless	28	45	M 8	16
R3216.300-A2	Stainless	30	45	M 8	16
R3216.320-A2	Stainless	32	50	M 8	16
R3216.350-A2	Stainless	36	56	M 8	16
R3216.400-A2	Stainless	40	63	M10	18



Order No.	Material	d ₁ tol. H7/H8	d ₂ tol. H7/H8	d ₃	w
R3216.450-A2	Stainless	45	70	M10	18
R3216.500-A2	Stainless	50	80	M10	18
R3216.600-A2	Stainless	60	90	M10	20



R3217

RIGID COUPLINGS

Material

Black thermoplastic body, other parts stainless steel. With NBR O ring.

Technical Notes

For positioning, clamping and quick

adjustment on shafts.

Clamping and mounting can be achieved using one hand in the pull direction.

Temperature range to 80C, F - axial holding force, one-sided.

Order No.	d_1 tol. H7/H8	d_2 tol. H7/H8	d_3	d_4	d_5	l_1	l_2	l_3	l_4	l_5	O-ring size	Axial force N max.	Weight g
R3217.080	8	40	25	22.4	31	27.5	7	1.7	3.15	0.5	22x1,5	250	31
R3217.100	10	40	25	22.4	31	27.5	7	1.7	3.15	0.5	22x1,5	250	30
R3217.120	12	40	25	22.4	31	27.5	7	1.7	3.15	0.5	22x1,5	350	30
R3217.150	15	40	25	22.4	31	27.5	7	1.7	3.15	0.5	22x1,5	350	28
R3217.160	16	40	25	22.4	31	27.5	7	1.7	3.15	0.5	22x1,5	380	27
R3217.200	20	55	30	27.4	37	32.5	7	1.7	2.65	0.5	27x1,5	320	51
R3217.220	22	55	30	27.4	37	32.5	7	1.7	2.65	0.5	27x1,5	320	50

