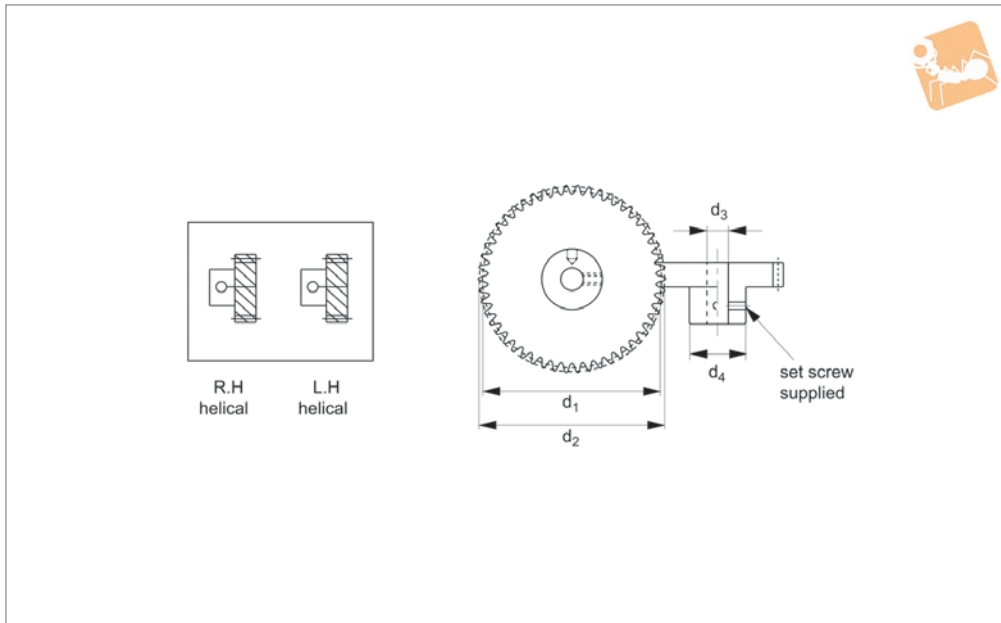




# 1,5 Module Helical Gears

stainless steel, pin hub

Other Precision  
Gears



**R2152**

OTHER PRECISION GEARS

**Material**

Stainless steel (DIN 1,4305).

20° pressure angle.

Quality class DIN 8, AGMA 9.

with same helical direction.

For parallel transmission use right and left helix.

**Technical Notes**

45° helix angle.

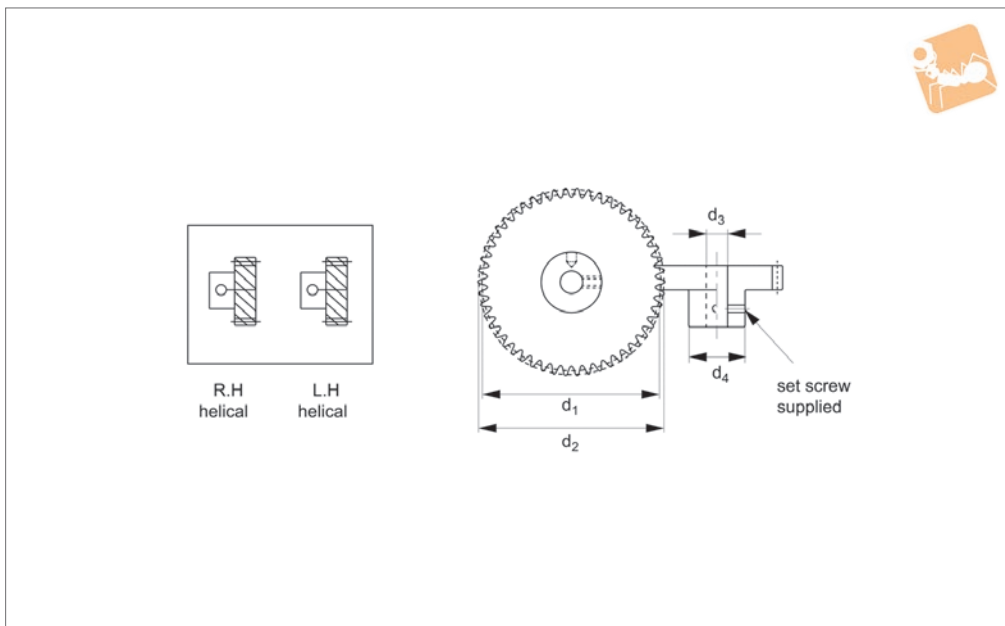
**Tips**

For right angle transmission use two gears

Order No.	Hand	No. of teeth	Pitch dia. P.D.	O.D. dia.
R2152.R012	Right	12	25.46	28.46
R2152.R016	Right	16	33.94	36.94
R2152.R020	Right	20	42.43	45.43
R2152.L012	Left	12	25.46	28.46
R2152.L016	Left	16	33.94	36.94
R2152.L020	Left	20	42.43	45.43
R2152.R024	Right	24	50.91	53.91
R2152.L024	Left	24	50.91	53.91
R2152.R032	Right	32	67.88	70.88
R2152.R040	Right	40	84.85	87.85
R2152.R048	Right	48	101.82	104.82
R2152.L032	Left	32	67.88	70.88
R2152.L040	Left	40	84.85	87.85
R2152.L048	Left	48	101.82	104.82



## R2154



**Material**  
Stainless steel (DIN 1,4305).

20° pressure angle.  
Quality class DIN 8, AGMA 9.

with same helical direction.  
For parallel transmission use right and left helix.

**Technical Notes**  
45° helix angle.

**Tips**  
For right angle transmission use two gears

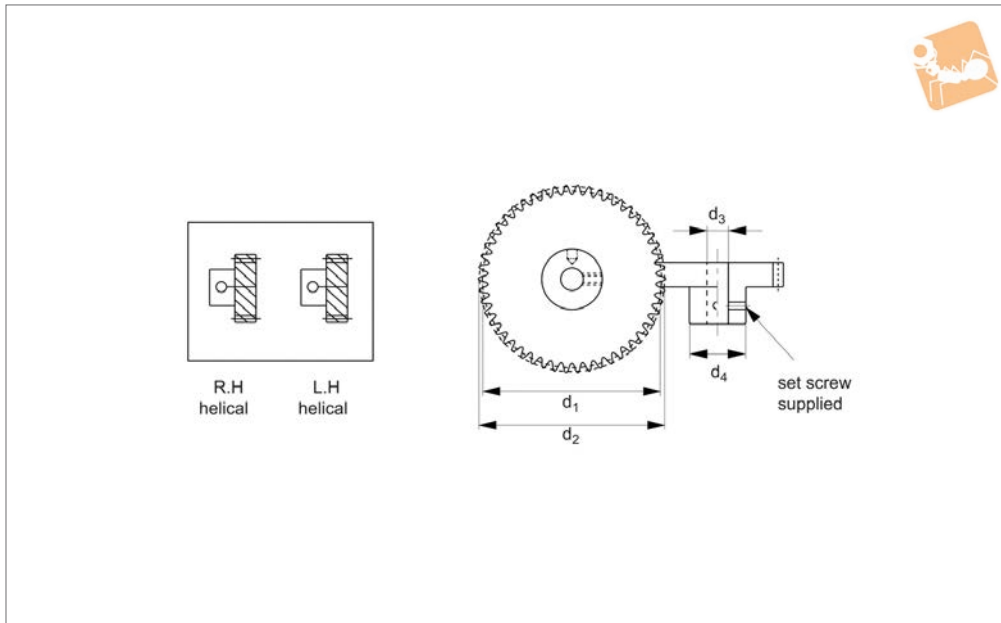
Order No.	Hand	No. of teeth	Pitch dia. P.D.	O.D. dia.
R2154.R010	Right	10	17.68	20.18
R2154.R015	Right	15	26.52	29.02
R2154.R020	Right	20	35.36	37.86
R2154.L010	Left	10	17.68	20.18
R2154.L015	Left	15	26.52	29.02
R2154.L020	Left	20	35.36	37.86
R2154.R025	Right	25	44.19	46.69
R2154.L025	Left	25	44.19	46.69
R2154.R030	Right	30	53.03	55.53
R2154.R040	Right	40	70.71	73.21
R2154.R050	Right	50	88.39	90.89
R2154.R060	Right	60	106.07	108.57
R2154.L030	Left	30	53.03	55.53
R2154.L040	Left	40	70.71	73.21
R2154.L050	Left	50	88.39	90.89
R2154.L060	Left	60	106.07	108.57



# 1,0 Module Helical Gears

stainless steel or aluminium, pin hub

Other Precision Gears



**R2156**

OTHER PRECISION GEARS

**Material**

Stainless steel (DIN 1,4305), or aluminium (DIN 3,1355).

20° pressure angle.

Quality class DIN 7, AGMA 10.

transmission use right and left helix.

**Technical Notes**

45° helix angle.

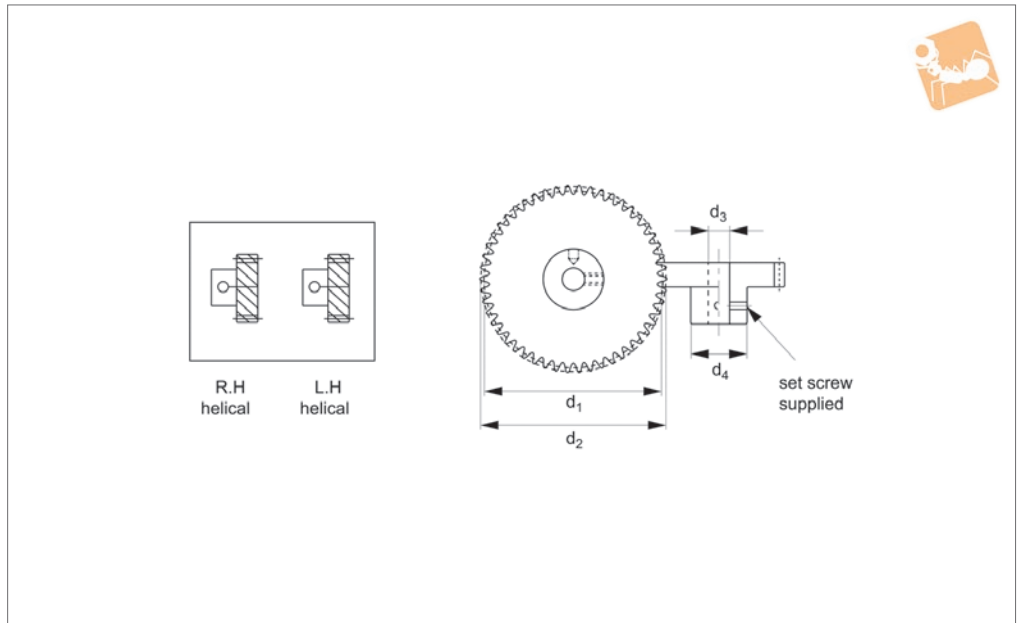
**Tips**

For right angle transmission use two gears with same helical direction. For parallel

Order No.	Hand	No. of teeth	Material	Pitch dia. P.D.	O.D. dia.
R2156.R012	Right	12	Stainless	16.94	18.97
R2156.R018	Right	18	Stainless	25.45	27.45
R2156.R024	Right	24	Stainless	33.94	35.94
R2156.R030	Right	30	Stainless	42.42	44.42
R2156.R036	Right	36	Stainless	50.91	52.91
R2156.R048	Right	48	Stainless	67.88	69.88
R2156.R060	Right	60	Stainless	84.85	86.85
R2156.R072	Right	72	Stainless	101.82	103.82
R2156.R512	Right	12	Aluminium	16.94	18.97
R2156.R518	Right	18	Aluminium	25.45	27.45
R2156.R524	Right	24	Aluminium	33.94	35.94
R2156.R530	Right	30	Aluminium	42.42	44.42
R2156.R536	Right	36	Aluminium	50.91	52.91
R2156.R548	Right	48	Aluminium	67.88	69.88
R2156.R560	Right	60	Aluminium	84.85	86.85
R2156.R572	Right	72	Aluminium	101.82	103.82
R2156.L012	Left	12	Stainless	16.94	18.97
R2156.L018	Left	18	Stainless	25.45	27.45
R2156.L024	Left	24	Stainless	33.94	35.94
R2156.L030	Left	30	Stainless	42.42	44.42
R2156.L036	Left	36	Stainless	50.91	52.91
R2156.L048	Left	48	Stainless	67.88	69.88
R2156.L060	Left	60	Stainless	84.85	86.85
R2156.L072	Left	72	Stainless	101.82	103.82
R2156.L512	Left	12	Aluminium	16.94	18.97
R2156.L518	Left	18	Aluminium	25.45	27.45
R2156.L524	Left	24	Aluminium	33.94	35.94
R2156.L530	Left	30	Aluminium	42.42	44.42
R2156.L536	Left	36	Aluminium	50.91	52.91
R2156.L548	Left	48	Aluminium	67.88	69.88
R2156.L560	Left	60	Aluminium	84.85	86.85
R2156.L572	Left	72	Aluminium	101.82	103.82



## R2158



### Material

Stainless steel (DIN 1,4305), or aluminium (DIN 3,1355).

20° pressure angle.

Quality class DIN 7, AGMA 10.

For parallel transmission use right and left helix.

### Technical Notes

45° helix angle.

### Tips

For right angle transmission use two gears with same helical direction.

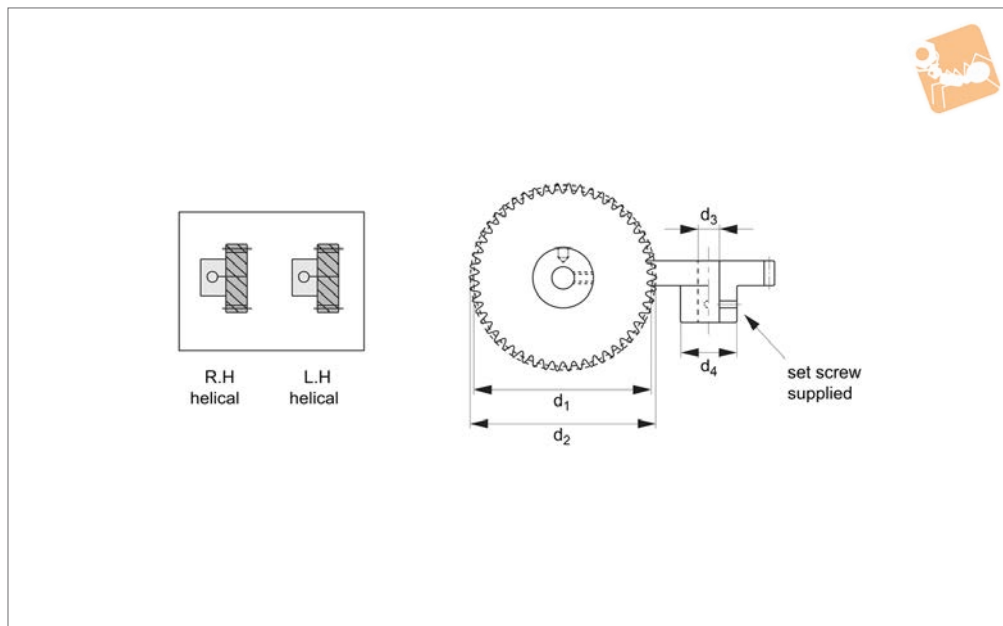
Order No.	Hand	No. of teeth	Material	Pitch dia. P.D.	O.D. dia.
R2158.R016	Right	16	Stainless	18.10	19.70
R2158.R024	Right	24	Stainless	27.15	28.75
R2158.R032	Right	32	Stainless	36.20	37.80
R2158.R040	Right	40	Stainless	45.25	46.85
R2158.R048	Right	48	Stainless	54.30	55.90
R2158.R064	Right	64	Stainless	72.40	74.00
R2158.R080	Right	80	Stainless	90.50	92.10
R2158.R096	Right	96	Stainless	108.61	110.21
R2158.R516	Right	16	Aluminium	18.10	19.70
R2158.R524	Right	24	Aluminium	27.15	28.75
R2158.R532	Right	32	Aluminium	36.20	37.80
R2158.R540	Right	40	Aluminium	45.25	46.85
R2158.R548	Right	48	Aluminium	54.30	55.90
R2158.R564	Right	64	Aluminium	72.40	74.00
R2158.R580	Right	80	Aluminium	90.50	92.10
R2158.R596	Right	96	Aluminium	108.61	110.21
R2158.L016	Left	16	Stainless	18.10	19.70
R2158.L024	Left	24	Stainless	27.15	28.75
R2158.L032	Left	32	Stainless	36.20	37.80
R2158.L040	Left	40	Stainless	45.25	46.85
R2158.L048	Left	48	Stainless	54.30	55.90
R2158.L516	Left	16	Aluminium	18.10	19.70
R2158.L064	Left	64	Stainless	72.40	74.00
R2158.L080	Left	80	Stainless	90.50	92.10
R2158.L096	Left	96	Stainless	108.61	110.21
R2158.L524	Left	24	Aluminium	27.15	28.75
R2158.L532	Left	32	Aluminium	36.20	37.80
R2158.L540	Left	40	Aluminium	45.25	46.85
R2158.L548	Left	48	Aluminium	54.30	55.90
R2158.L564	Left	64	Aluminium	72.40	74.00
R2158.L580	Left	80	Aluminium	90.50	92.10
R2158.L596	Left	96	Aluminium	108.61	110.21



# 0,5 Module Right Hand Helical Gears

stainless steel pin hub

Other Precision  
Gears



**R2160**

OTHER PRECISION GEARS

**Material**

Stainless steel (DIN 1,4305).

**Technical Notes**

45° helix angle.  
20° pressure angle.

Quality class DIN 7, AGMA 10.

**Tips**

For right angle transmission use two gears with same helical direction. For parallel transmission use right and left helix.

**Important Notes**

For 0,5 module left hand helical gears see R2161.

Order No.	Hand	No. of teeth	Material	Bore dia.	Pitch dia. P.D.	Outside dia.
R2160.R020-05	Right	20	Stainless	5	14.14	15.14
R2160.R024-05	Right	24	Stainless	5	16.97	17.97
R2160.R025-05	Right	25	Stainless	5	17.68	18.68
R2160.R030-05	Right	30	Stainless	5	21.21	22.21
R2160.R035-05	Right	35	Stainless	5	24.75	25.75
R2160.R036-05	Right	36	Stainless	5	25.46	26.46
R2160.R040-05	Right	40	Stainless	5	28.28	29.28
R2160.R045-05	Right	45	Stainless	5	31.82	32.82
R2160.R048-05	Right	48	Stainless	5	33.94	34.94
R2160.R050-05	Right	50	Stainless	5	35.36	36.36
R2160.R060-05	Right	60	Stainless	5	42.43	43.43
R2160.R070-05	Right	70	Stainless	5	49.50	50.50
R2160.R072-05	Right	72	Stainless	5	50.91	51.91
R2160.R080-05	Right	80	Stainless	5	56.57	57.57
R2160.R090-05	Right	90	Stainless	5	63.64	64.64
R2160.R096-05	Right	96	Stainless	5	67.88	68.88
R2160.R100-05	Right	100	Stainless	5	70.71	71.71
R2160.R120-05	Right	120	Stainless	5	84.85	85.85
R2160.R144-05	Right	144	Stainless	5	101.82	102.82
R2160.R020-08	Right	20	Stainless	8	14.14	15.14
R2160.R024-08	Right	24	Stainless	8	16.97	17.97
R2160.R025-08	Right	25	Stainless	8	17.68	18.68
R2160.R030-08	Right	30	Stainless	8	21.21	22.21
R2160.R035-08	Right	35	Stainless	8	24.75	25.27
R2160.R036-08	Right	36	Stainless	8	25.46	26.46
R2160.R040-08	Right	40	Stainless	8	28.28	29.28
R2160.R045-08	Right	45	Stainless	8	31.82	32.82
R2160.R048-08	Right	48	Stainless	8	33.94	34.94
R2160.R050-08	Right	50	Stainless	8	35.36	36.36
R2160.R060-08	Right	60	Stainless	8	42.43	43.43
R2160.R070-08	Right	70	Stainless	8	49.50	50.50
R2160.R072-08	Right	72	Stainless	8	50.91	51.91
R2160.R080-08	Right	80	Stainless	8	56.57	57.57



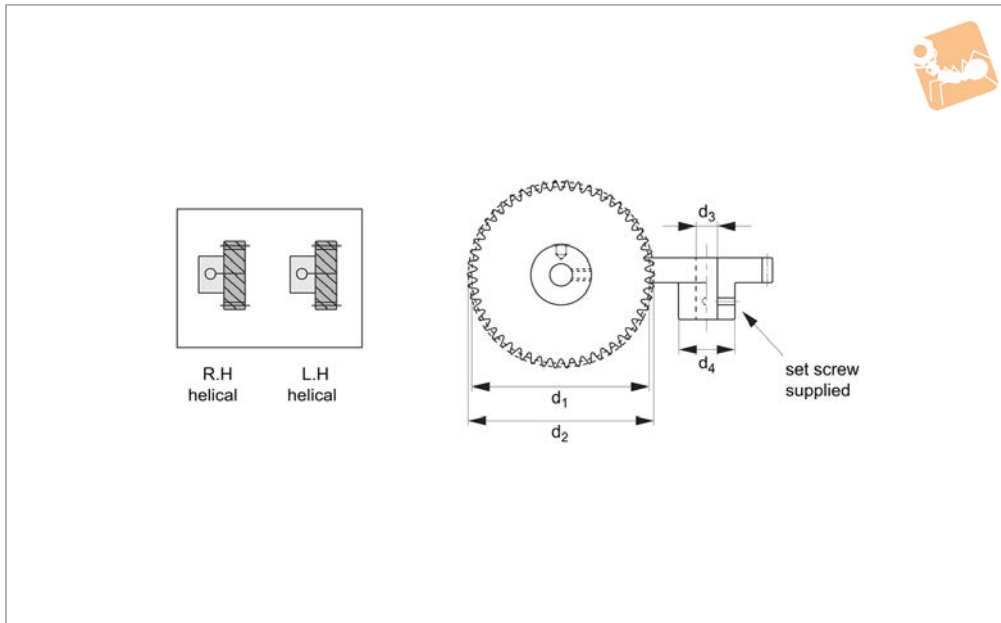
Order No.	Hand	No. of teeth	Material	Bore dia.	Pitch dia. P.D.	Outside dia.
R2160.R090-08	Right	90	Stainless	8	63.64	64.64
R2160.R096-08	Right	96	Stainless	8	67.88	68.88
R2160.R100-08	Right	100	Stainless	8	70.71	71.71
R2160.R120-08	Right	120	Stainless	8	84.85	85.85
R2160.R144-08	Right	144	Stainless	8	101.82	102.82



# 0,5 Module Right Hand Helical Gears

aluminium pin hub

Other Precision Gears



**R2160.1**

OTHER PRECISION GEARS

**Material**

Aluminium (DIN 3,1355).

**Technical Notes**

45° helix angle.  
20° pressure angle.

Quality class DIN 7, AGMA 10.

**Tips**

For right angle transmission use two gears with same helical direction. For parallel transmission use right and left helix.

**Important Notes**

For 0,5 module left hand helical gears see R2161.

Order No.	Hand	No. of teeth	Material	Bore dia.	Outside	Pitch
R2160.R520-05	Right	20	5	Aluminium	15.14	14.14
R2160.R524-05	Right	24	5	Aluminium	17.97	16.97
R2160.R525-05	Right	25	5	Aluminium	18.68	17.68
R2160.R530-05	Right	30	5	Aluminium	22.21	21.21
R2160.R535-05	Right	35	5	Aluminium	25.75	24.75
R2160.R536-05	Right	36	5	Aluminium	26.46	25.46
R2160.R540-05	Right	40	5	Aluminium	29.28	28.28
R2160.R545-05	Right	45	5	Aluminium	32.82	31.82
R2160.R548-05	Right	48	5	Aluminium	34.94	33.94
R2160.R550-05	Right	50	5	Aluminium	36.36	35.36
R2160.R560-05	Right	60	5	Aluminium	43.43	42.43
R2160.R570-05	Right	70	5	Aluminium	50.50	49.50
R2160.R572-05	Right	72	5	Aluminium	51.91	50.91
R2160.R580-05	Right	80	5	Aluminium	57.57	56.57
R2160.R590-05	Right	90	5	Aluminium	64.64	63.64
R2160.R596-05	Right	96	5	Aluminium	68.88	67.88
R2160.R600-05	Right	100	5	Aluminium	71.71	70.71
R2160.R620-05	Right	120	5	Aluminium	85.85	84.85
R2160.R644-05	Right	144	5	Aluminium	102.82	101.82
R2160.R520-08	Right	20	8	Aluminium	15.14	14.14
R2160.R524-08	Right	24	8	Aluminium	17.97	16.97
R2160.R525-08	Right	25	8	Aluminium	18.68	17.68
R2160.R530-08	Right	30	8	Aluminium	22.21	21.21
R2160.R535-08	Right	35	8	Aluminium	25.27	24.75
R2160.R536-08	Right	36	8	Aluminium	26.46	25.46
R2160.R540-08	Right	40	8	Aluminium	29.28	28.28
R2160.R545-08	Right	45	8	Aluminium	32.82	31.82
R2160.R548-08	Right	48	8	Aluminium	34.94	33.94
R2160.R550-08	Right	50	8	Aluminium	36.36	35.36
R2160.R560-08	Right	60	8	Aluminium	43.43	42.43
R2160.R570-08	Right	70	8	Aluminium	50.50	49.50
R2160.R572-08	Right	72	8	Aluminium	51.91	50.91
R2160.R580-08	Right	80	8	Aluminium	57.57	56.57



Order No.	Hand	No. of teeth	Material	Bore dia.	Outside	Pitch
R2160.R590-08	Right	90	8	Aluminium	64.64	63.64
R2160.R596-08	Right	96	8	Aluminium	68.88	67.88
R2160.R600-08	Right	100	8	Aluminium	71.71	70.71
R2160.R620-08	Right	120	8	Aluminium	85.85	84.85
R2160.R644-08	Right	144	8	Aluminium	102.82	101.82

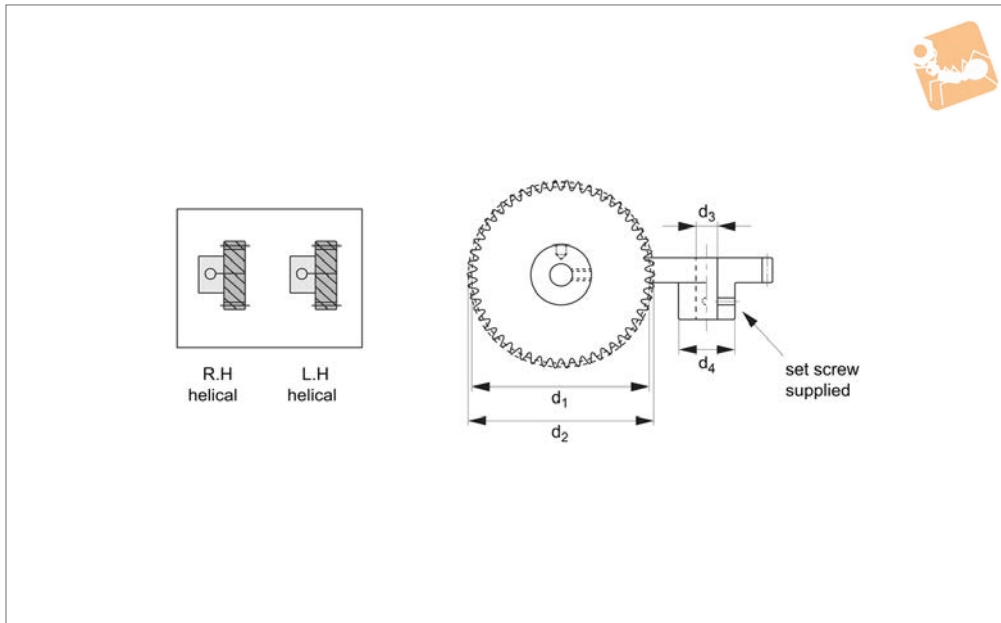




# 0,5 Module Left Hand Helical Gears

stainless steel, pin hub

Other Precision  
Gears



**R2161**

OTHER PRECISION GEARS

**Material**

Stainless steel (DIN 1,4305).

Quality class DIN 7, AGMA 10.

helix..

**Technical Notes**

45° helix angle.  
20° pressure angle.

**Tips**

For right angle transmission use two gears with same helical direction.  
For parallel transmission use right and left

**Important Notes**

For 0,5 module right hand helical gears see R2160.

Order No.	Hand	No. of teeth	Material	Bore dia.	Pitch dia. P.D.	Outside dia.
R2161.L020-05	Left	20	Stainless	5	14.14	15.14
R2161.L024-05	Left	24	Stainless	5	16.97	16.97
R2161.L025-05	Left	25	Stainless	5	17.68	17.68
R2161.L020-08	Left	20	Stainless	8	14.14	15.14
R2161.L024-08	Left	24	Stainless	8	16.97	17.97
R2161.L025-08	Left	25	Stainless	8	17.68	18.68
R2161.L030-08	Left	30	Stainless	8	21.21	22.21
R2161.L030-05	Left	30	Stainless	5	21.21	21.21
R2161.L035-05	Left	35	Stainless	5	24.75	25.75
R2161.L036-05	Left	36	Stainless	5	25.46	26.46
R2161.L040-05	Left	40	Stainless	5	28.28	29.28
R2161.L045-05	Left	45	Stainless	5	31.82	32.82
R2161.L035-08	Left	35	Stainless	8	24.75	25.75
R2161.L036-08	Left	36	Stainless	8	25.46	26.46
R2161.L040-08	Left	40	Stainless	8	28.28	29.28
R2161.L045-08	Left	45	Stainless	8	31.82	32.82
R2161.L048-08	Left	48	Stainless	8	33.94	34.94
R2161.L048-05	Left	48	Stainless	5	33.94	34.94
R2161.L050-05	Left	50	Stainless	5	35.36	36.36
R2161.L060-05	Left	60	Stainless	5	42.43	43.43
R2161.L070-05	Left	70	Stainless	5	49.50	50.50
R2161.L072-05	Left	72	Stainless	5	50.91	51.91
R2161.L050-08	Left	50	Stainless	8	35.36	36.36
R2161.L060-08	Left	60	Stainless	8	42.43	43.43
R2161.L070-08	Left	70	Stainless	8	49.50	50.50
R2161.L072-08	Left	72	Stainless	8	50.91	51.91
R2161.L080-08	Left	80	Stainless	8	56.57	57.57
R2161.L080-05	Left	80	Stainless	5	56.57	57.57
R2161.L090-05	Left	90	Stainless	5	63.64	64.64
R2161.L096-05	Left	96	Stainless	5	67.88	68.88
R2161.L100-05	Left	100	Stainless	5	70.71	71.71
R2161.L120-05	Left	120	Stainless	5	84.85	85.85
R2161.L090-08	Left	90	Stainless	8	63.64	64.64



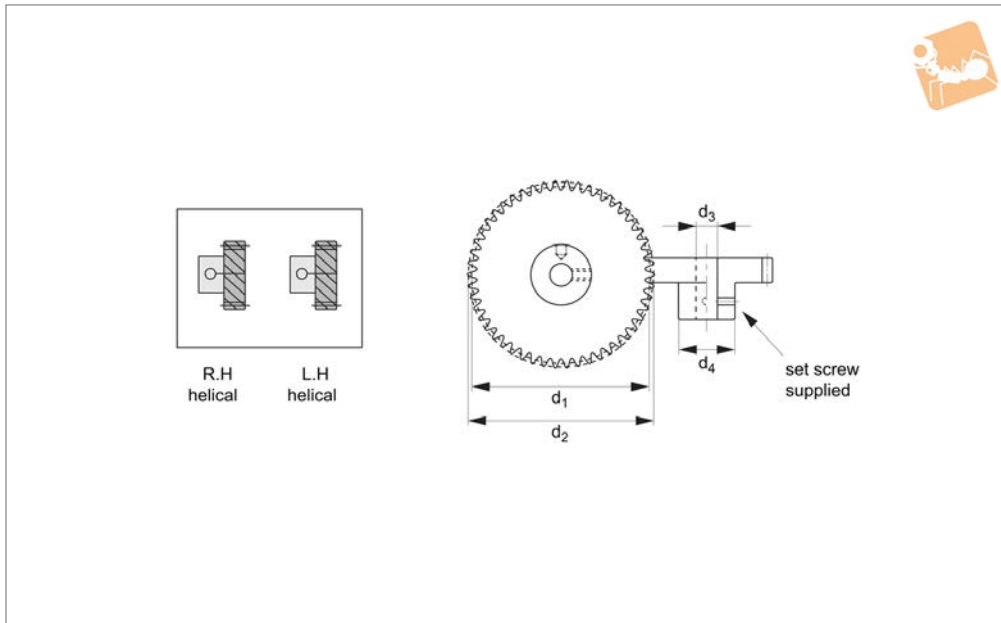
Order No.	Hand	No. of teeth	Material	Bore dia.	Pitch dia. P.D.	Outside dia.
<b>R2161.L096-08</b>	Left	96	Stainless	8	67.88	68.88
<b>R2161.L100-08</b>	Left	100	Stainless	8	70.71	71.71
<b>R2161.L120-08</b>	Left	120	Stainless	8	84.85	85.85
<b>R2161.L144-08</b>	Left	144	Stainless	8	101.82	102.82
<b>R2161.L144-05</b>	Left	144	Stainless	5	101.82	102.82



# 0,5 Module Left Hand Helical Gears

aluminium, pin hub

Other Precision  
Gears



**R2161.1**

OTHER PRECISION GEARS

**Material**

Aluminium (DIN 3,1355).

Quality class DIN 7, AGMA 10.

helix.

**Technical Notes**

45° helix angle.  
20° pressure angle.

**Tips**

For right angle transmission use two gears with same helical direction.  
For parallel transmission use right and left

**Important Notes**

For 0,5 module right hand helical gears see R2160.

Order No.	Hand	No. of teeth	Material	Bore dia.	Pitch dia. P.D.	Outside dia.
R2161.L520-05	Left	20	Aluminium	5	14.14	15.14
R2161.L524-05	Left	24	Aluminium	5	16.97	16.97
R2161.L525-05	Left	25	Aluminium	5	17.68	17.68
R2161.L530-05	Left	30	Aluminium	5	21.21	21.21
R2161.L535-05	Left	35	Aluminium	5	24.75	25.75
R2161.L536-05	Left	36	Aluminium	5	25.46	26.46
R2161.L540-05	Left	40	Aluminium	5	28.28	29.28
R2161.L545-05	Left	45	Aluminium	5	31.82	32.82
R2161.L548-05	Left	48	Aluminium	5	33.94	34.94
R2161.L550-05	Left	50	Aluminium	5	35.36	36.36
R2161.L560-05	Left	60	Aluminium	5	42.43	43.43
R2161.L570-05	Left	70	Aluminium	5	49.50	50.50
R2161.L572-05	Left	72	Aluminium	5	50.91	51.91
R2161.L580-05	Left	80	Aluminium	5	56.57	57.57
R2161.L590-05	Left	90	Aluminium	5	63.64	64.64
R2161.L596-05	Left	96	Aluminium	5	67.88	68.88
R2161.L600-05	Left	100	Aluminium	5	70.71	71.71
R2161.L620-05	Left	120	Aluminium	5	84.85	85.85
R2161.L644-05	Left	144	Aluminium	5	101.82	102.82
R2161.L520-08	Left	20	Aluminium	8	14.14	15.14
R2161.L524-08	Left	24	Aluminium	8	16.97	17.97
R2161.L525-08	Left	25	Aluminium	8	17.68	18.68
R2161.L530-08	Left	30	Aluminium	8	21.21	22.21
R2161.L535-08	Left	35	Aluminium	8	24.75	25.75
R2161.L536-08	Left	36	Aluminium	8	25.46	26.46
R2161.L540-08	Left	40	Aluminium	8	28.28	29.28
R2161.L545-08	Left	45	Aluminium	8	31.82	32.82
R2161.L548-08	Left	48	Aluminium	8	33.94	34.94
R2161.L550-08	Left	50	Aluminium	8	35.36	36.36
R2161.L560-08	Left	60	Aluminium	8	42.43	43.43
R2161.L570-08	Left	70	Aluminium	8	49.50	50.50
R2161.L572-08	Left	72	Aluminium	8	50.91	51.91
R2161.L580-08	Left	80	Aluminium	8	56.57	57.57



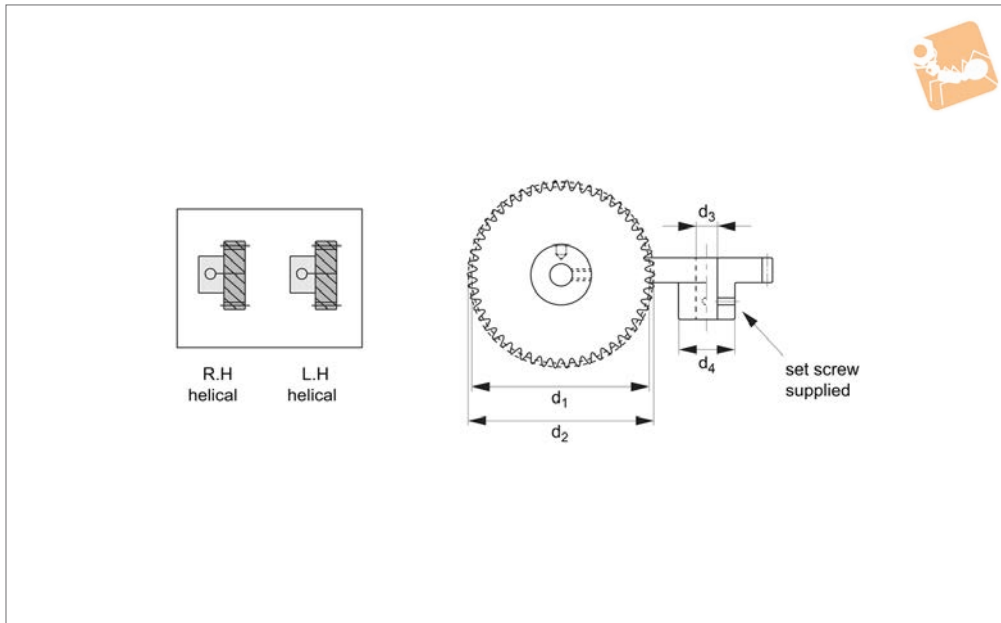
Order No.	Hand	No. of teeth	Material	Bore dia.	Pitch dia. P.D.	Outside dia.
R2161.L590-08	Left	90	Aluminium	8	63.64	64.64
R2161.L596-08	Left	96	Aluminium	8	67.88	68.88
R2161.L600-08	Left	100	Aluminium	8	70.71	71.71
R2161.L620-08	Left	120	Aluminium	8	84.85	85.85
R2161.L644-08	Left	144	Aluminium	8	101.82	102.82



# 0,4 Module Right Hand Helical Gears

stainless steel, pin hub

Other Precision  
Gears



**R2162**

OTHER PRECISION GEARS

**Material**

Stainless steel (DIN 1,4305).

Quality class DIN 7, AGMA 10.

helix.

**Technical Notes**

45° helix angle.  
20° pressure angle.

**Tips**

For right angle transmission use two gears with same helical direction.  
For parallel transmission use right and left

**Important Notes**

For 0,4 module left hand helical gears see R2163.

Order No.	Hand	No. of teeth	Material	Bore dia.	Pitch dia. P.D.	Outside dia.
R2162.R020-03	Right	20	Stainless	3	11.31	12.11
R2162.R025-03	Right	25	Stainless	3	14.14	14.94
R2162.R030-03	Right	30	Stainless	3	16.97	17.77
R2162.R032-03	Right	32	Stainless	3	18.10	18.90
R2162.R035-03	Right	35	Stainless	3	19.80	20.60
R2162.R040-03	Right	40	Stainless	3	22.63	23.43
R2162.R045-03	Right	45	Stainless	3	54.46	26.26
R2162.R048-03	Right	48	Stainless	3	27.15	27.95
R2162.R050-03	Right	50	Stainless	3	28.28	29.08
R2162.R060-03	Right	60	Stainless	3	33.94	34.74
R2162.R064-03	Right	64	Stainless	3	36.20	37.00
R2162.R070-03	Right	70	Stainless	3	39.60	40.40
R2162.R080-03	Right	80	Stainless	3	45.25	46.05
R2162.R090-03	Right	90	Stainless	3	50.91	51.71
R2162.R096-03	Right	96	Stainless	3	54.31	55.11
R2162.R100-03	Right	100	Stainless	3	56.57	57.37
R2162.R128-03	Right	128	Stainless	3	72.41	73.21
R2162.R160-03	Right	160	Stainless	3	90.51	91.31
R2162.R020-05	Right	20	Stainless	5	11.31	12.11
R2162.R025-05	Right	25	Stainless	5	14.14	14.94
R2162.R030-05	Right	30	Stainless	5	16.97	17.77
R2162.R032-05	Right	32	Stainless	5	18.10	18.90
R2162.R035-05	Right	35	Stainless	5	19.80	20.60
R2162.R040-05	Right	40	Stainless	5	22.63	23.43
R2162.R045-05	Right	45	Stainless	5	54.46	26.26
R2162.R048-05	Right	48	Stainless	5	27.15	27.95
R2162.R050-05	Right	50	Stainless	5	28.28	29.08
R2162.R060-05	Right	60	Stainless	5	33.94	34.74
R2162.R064-05	Right	64	Stainless	5	36.20	37.00
R2162.R070-05	Right	70	Stainless	5	39.60	40.40
R2162.R080-05	Right	80	Stainless	5	42.25	46.05
R2162.R090-05	Right	90	Stainless	5	50.91	51.71
R2162.R096-05	Right	96	Stainless	5	54.31	55.11



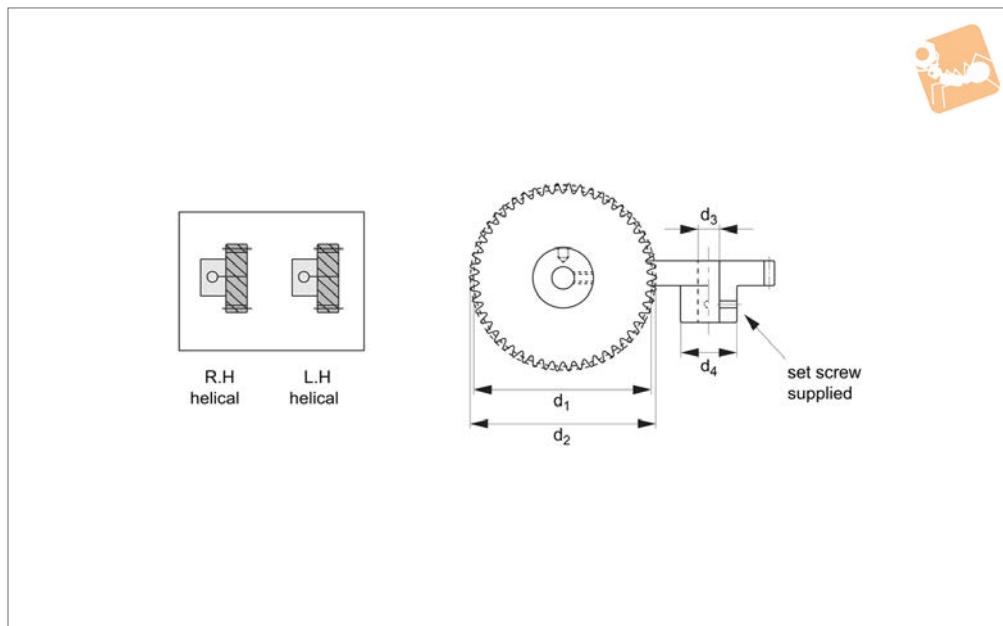
Order No.	Hand	No. of teeth	Material	Bore dia.	Pitch dia. P.D.	Outside dia.
<b>R2162.R100-05</b>	Right	100	Stainless	5	56.57	57.37
<b>R2162.R128-05</b>	Right	128	Stainless	5	72.41	73.21
<b>R2162.R160-05</b>	Right	160	Stainless	5	90.51	91.31



# 0,4 Module Right Hand Helical Gears

aluminium, pin hub

Other Precision Gears



**R2162.1**

OTHER PRECISION GEARS

**Material**

Aluminium (DIN 3,1355).

Quality class DIN 7, AGMA 10.

helix.

**Technical Notes**

45° helix angle.  
20° pressure angle.

**Tips**

For right angle transmission use two gears with same helical direction.  
For parallel transmission use right and left

**Important Notes**

For 0,4 module left hand helical gears see R2163.

Order No.	Hand	No. of teeth	Material	Bore dia.	Pitch dia. P.D.	Outside dia.
R2162.R520-03	Right	20	Aluminium	3	11.31	12.11
R2162.R525-03	Right	25	Aluminium	3	14.14	14.94
R2162.R530-03	Right	30	Aluminium	3	16.97	17.77
R2162.R532-03	Right	32	Aluminium	3	18.10	18.90
R2162.R535-03	Right	35	Aluminium	3	19.80	20.60
R2162.R540-03	Right	40	Aluminium	3	22.63	23.43
R2162.R545-03	Right	45	Aluminium	3	24.56	26.26
R2162.R548-03	Right	48	Aluminium	3	27.15	27.95
R2162.R550-03	Right	50	Aluminium	3	28.28	29.08
R2162.R560-03	Right	60	Aluminium	3	33.94	34.74
R2162.R564-03	Right	64	Aluminium	3	36.20	37.00
R2162.R570-03	Right	70	Aluminium	3	39.60	40.40
R2162.R580-03	Right	80	Aluminium	3	45.25	46.05
R2162.R590-03	Right	90	Aluminium	3	50.91	51.71
R2162.R596-03	Right	96	Aluminium	3	54.31	55.11
R2162.R600-03	Right	100	Aluminium	3	56.57	57.37
R2162.R628-03	Right	128	Aluminium	3	72.41	73.21
R2162.R660-03	Right	160	Aluminium	3	90.51	91.31
R2162.R520-05	Right	20	Aluminium	5	11.31	12.11
R2162.R525-05	Right	25	Aluminium	5	14.14	14.94
R2162.R530-05	Right	30	Aluminium	5	16.97	17.77
R2162.R532-05	Right	32	Aluminium	5	18.10	18.90
R2162.R535-05	Right	35	Aluminium	5	19.80	20.60
R2162.R540-05	Right	40	Aluminium	5	22.63	23.43
R2162.R545-05	Right	45	Aluminium	5	24.46	26.26
R2162.R548-05	Right	48	Aluminium	5	27.15	27.95
R2162.R550-05	Right	50	Aluminium	5	28.28	29.08
R2162.R560-05	Right	60	Aluminium	5	33.94	34.74
R2162.R564-05	Right	64	Aluminium	5	36.20	37.00
R2162.R570-05	Right	70	Aluminium	5	39.60	40.40
R2162.R580-05	Right	80	Aluminium	5	45.25	46.05
R2162.R590-05	Right	90	Aluminium	5	50.91	51.71
R2162.R596-05	Right	96	Aluminium	5	54.31	55.11



Order No.	Hand	No. of teeth	Material	Bore dia.	Pitch dia. P.D.	Outside dia.
<b>R2162.R600-05</b>	Right	100	Aluminium	5	56.57	57.37
<b>R2162.R5128-05</b>	Right	128	Aluminium	5	72.41	73.21
<b>R2162.R660-05</b>	Right	160	Aluminium	5	90.51	91.31