

### R4100

AIR MOTORS

#### Material

Precision air motor of stainless steel body and aluminium construction.

The balanced rotor is positioned between precision ball bearings which virtually eliminates friction and wear.

A hardened planetary gear system provides increased torque transmission capabilities and long-life.

#### Technical Notes

For medical, robotic and industrial applications.

Gears slip above the torque\*.

Figures below relate to average free speed and stall torque specifications at 90 psi.

Maximum shaft loading 7,5Kg.

**Please read operating and installation manual carefully, to ensure product life.**

#### Tips

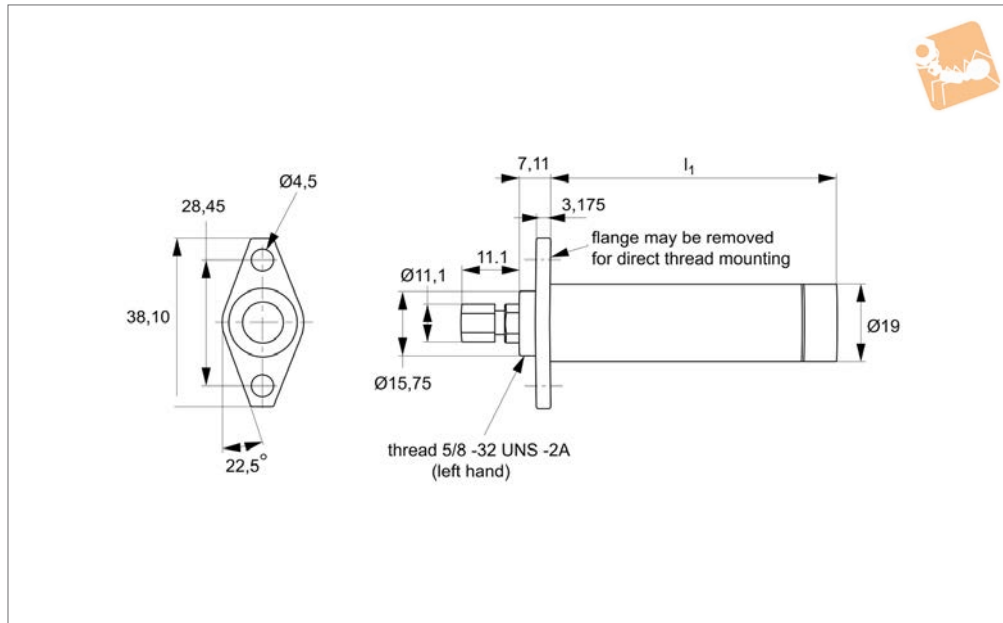
Shaft seals available for units having free speeds of 2000 rpm or less. If you require a sealed motor please clearly specify when ordering and add -S to part number.

**LF=lubrication free version**

Order No.	Type	Free speed rpm	Lubricate?	Stall torque Nm	$l_1$	Weight g
R4100.MMF5000	Right hand	50.000	Yes	0.03	65.0	92
R4100.MMF2800	Right hand	28.000	Yes	0.05	65.0	92
R4100.MMF0700	Right hand	7.000	Yes	0.17	65.0	92
R4100.MMF0014	Right hand	1.750	Yes	0.78	81.0	120
R4100.MMF0001	Right hand	110	Yes	12.35	112.8	140
R4100.MMF5001	Right hand	28	Yes	12.35*	128.5	184
R4100.MMF6001	Right hand	7	Yes	12.35*	144.5	198
R4100.MMR5000	Reversible	50.000	Yes	0.03	65.0	92
R4100.MMR0001	Reversible	110	Yes	12.35	4.44	140
R4100.MMF0004	Right hand	450	Yes	3.10	96.8	135
R4100.MMF0002	Right hand	225	Yes	6.00	96.8	135
R4100.MMR5001	Reversible	28	Yes	12.35*	128.5	184
R4100.MMR6001	Reversible	7	Yes	12.35*	144.5	198
R4100.MMR2800	Reversible	28.000	Yes	0.05	65.0	92
R4100.MMR0700	Reversible	7.000	Yes	0.17	65.0	92
R4100.MMR0004	Reversible	450	Yes	3.10	96.8	135
R4100.MMR0002	Reversible	225	Yes	6.00	96.8	135
R4100.MMR0014	Reversible	1.750	Yes	0.78	81.0	120
R4100.MMF5000-LF	Right hand	50.000	No	0.03	65.0	92
R4100.MMF2800-LF	Right hand	28.000	No	0.05	65.0	92
R4100.MMF5001-LF	Right hand	28	No	12.35*	128.5	184
R4100.MMF6001-LF	Right hand	7	No	12.35*	144.5	188
R4100.MMF0700-LF	Right hand	7.000	No	0.17	65.0	92
R4100.MMF0014-LF	Right hand	1.750	No	0.78	81.0	120
R4100.MMF0004-LF	Right hand	450	No	3.10	96.8	135
R4100.MMF0002-LF	Right hand	225	No	6.00	96.8	140
R4100.MMF0001-LF	Right hand	110	No	12.35	112.8	184
R4100.MMR5000-LF	Reversible	50.000	No	0.03	65.0	92



Order No.	Type	Free speed rpm	Lubricate?	Stall torque Nm	I <sub>1</sub>	Weight g
R4100.MMR2800-LF	Reversible	28.000	No	0.05	65.0	92
R4100.MMR0700-LF	Reversible	7.000	No	0.17	65.0	92
R4100.MMR0014-LF	Reversible	1.750	No	0.78	81.0	120
R4100.MMR0004-LF	Reversible	450	No	3.10	96.8	135
R4100.MMR0002-LF	Reversible	225	No	6.00	96.8	135
R4100.MMR0001-LF	Reversible	110	No	12.35	4.44	140
R4100.MMR5001-LF	Reversible	28	No	12.35*	128.5	184
R4100.MMR6001-LF	Reversible	7	No	12.35*	144.5	198



## R4110

AIR MOTORS

### Material

Precision air motor of stainless steel body and aluminium construction.

The balanced rotor is positioned between precision ball bearings which virtually eliminates friction and wear.

A hardened planetary gear system provides increased torque transmission capabilities and long-life.

### Technical Notes

For medical, robotic and industrial applications.

Figures below relate to average free speed and stall torque specifications at 90 psi.

Maximum shaft loading 7,5Kg.

**Please read operating and installation manual carefully, to ensure product life.**

### Tips

Shaft seals available for units having free speeds of 2000 rpm or less. If you require a sealed motor please clearly specify when ordering and add -S to part number.

**LF=lubrication free version**

Order No.	Type	Free speed rpm	Lubricate?	Stall torque Nm	$l_1$	Weight g
R4110.MMD5000	Right hand	50.000	Yes	0.03	65.0	92
R4110.MMD2800	Right hand	28.000	Yes	0.05	65.0	92
R4110.MMD0700	Right hand	7.000	Yes	0.17	65.0	92
R4110.MMD0014	Right hand	1.750	Yes	0.78	81.0	120
R4110.MMD0004	Right hand	450	Yes	3.10	96.8	135
R4110.MMD5000-LF	Right hand	50.000	No	0.03	65.0	92
R4110.MMD2800-LF	Right hand	28.000	No	0.05	65.0	92
R4110.MMD0700-LF	Right hand	7.000	No	0.17	65.0	92
R4110.MMD0014-LF	Right hand	1.750	No	0.78	81.0	120
R4110.MMD0004-LF	Right hand	450	No	3.10	96.8	135
R4110.MMDR5000	Reversible	50.000	Yes	0.03	65.0	92
R4110.MMDR2800	Reversible	28.000	Yes	0.05	65.0	92
R4110.MMDR0700	Reversible	7.000	Yes	0.17	65.0	92
R4110.MMDR0014	Reversible	1.750	Yes	0.78	81.0	120
R4110.MMDR0004	Reversible	450	Yes	3.10	96.8	135
R4110.MMDR5000-LF	Reversible	50.000	No	0.03	65.0	92
R4110.MMDR2800-LF	Reversible	28.000	No	0.05	65.0	92
R4110.MMDR0700-LF	Reversible	7.000	No	0.17	65.0	92
R4110.MMDR0014-LF	Reversible	1.750	No	0.78	81.0	120
R4110.MMDR0004-LF	Reversible	450	No	3.10	96.8	135