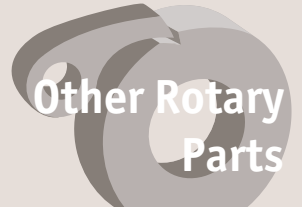
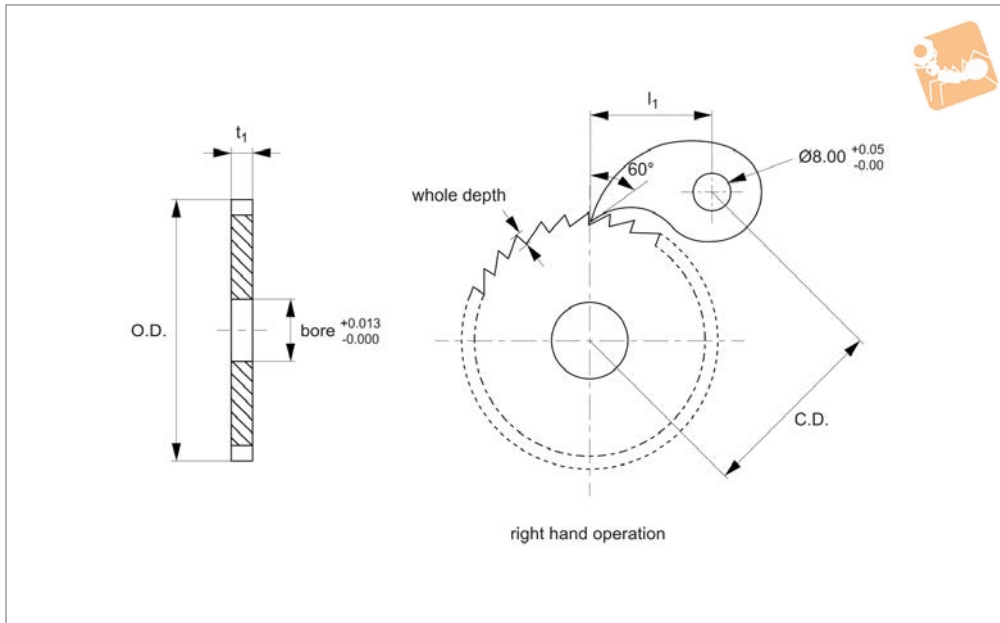




# Ratchets and Pawl stainless



## Other Rotary Parts



### R4040

OTHER ROTARY PARTS

#### Material

Stainless steel 303.

#### Technical Notes

Right hand operation.

#### Order pawl and mounting shoulder screw separately.

Hardness of pawl - HRC32-38, material 17-4PH stainless steel.

Mounting shoulder screw - stainless steel 416.

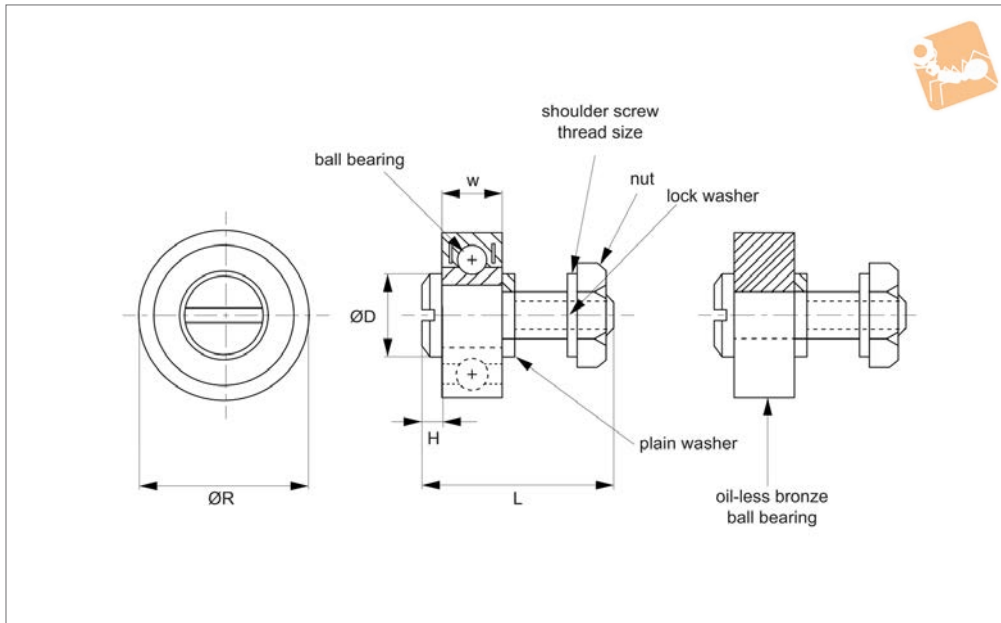
#### Tips

Special ratchet and pawls made to order.

Order No.	No. of teeth	Module	Ø d	Bore dia.	t	C.D. +0.06 -0.00	Whole depth	Pawl
R16S120-20	20	1.59	31.7	16	9.5	38.9	3.1	Size 1
R16S120-24	24	1.59	38.1	16	9.5	40.6	3.1	Size 1
R16S120-32	32	1.59	50.8	16	9.5	44.5	3.1	Size 1
R16S120-48	48	1.59	76.2	16	9.5	53.3	3.1	Size 1
R16S120-56	56	1.59	88.9	16	9.5	58.4	3.1	Size 1
R16S120-65	65	1.59	101.6	16	9.5	63.5	3.1	Size 1
R24S106-24	24	1.05	25.4	10	6.4	28.2	1.8	Size 2
R24S106-30	30	1.05	31.7	10	6.4	30.0	1.8	Size 2
R24S106-36	36	1.05	38.1	10	6.4	32.0	1.8	Size 2
R24S106-48	48	1.05	50.8	10	6.4	36.8	1.8	Size 2
R24S106-72	72	1.05	76.2	10	6.4	47.2	1.8	Size 2
R32S103-24	21	0.79	19.0	10	3.0	26.4	1.5	Size 2
R32S103-32	32	0.79	25.4	10	3.0	28.2	1.5	Size 2
R32S103-40	40	0.79	31.7	10	3.0	30.0	1.5	Size 2
R32S103-48	48	0.79	38.1	10	3.0	32.0	1.5	Size 2
R32S103-64	64	0.79	50.8	10	3.0	36.8	1.5	Size 2
R48S103-36	36	0.53	19.0	10	3.0	26.2	0.9	Size 2
R48S103-48	48	0.53	25.4	10	3.0	28.4	0.9	Size 2
R32S103-96	96	0.79	76.2	10	3.0	47.2	1.5	Size 2
R48S103-60	60	0.53	31.7	10	3.0	30.5	0.9	Size 2
R48S103-72	72	0.53	38.1	10	3.0	32.5	0.9	Size 2
R48S103-96	96	0.53	50.8	10	3.0	37.3	0.9	Size 2
R48S103-144	144	0.53	76.2	10	3.0	47.8	0.9	Size 2



Order No.	Thickness T	Length L	Shoulder screw Order No.
RP-2M	6,2	19	PLM-28
RP-375M	9,4	33	PLM-30



## R4030

OTHER ROTARY PARTS

### Material

Stainless steel 303, bearing - stainless steel or bronze.

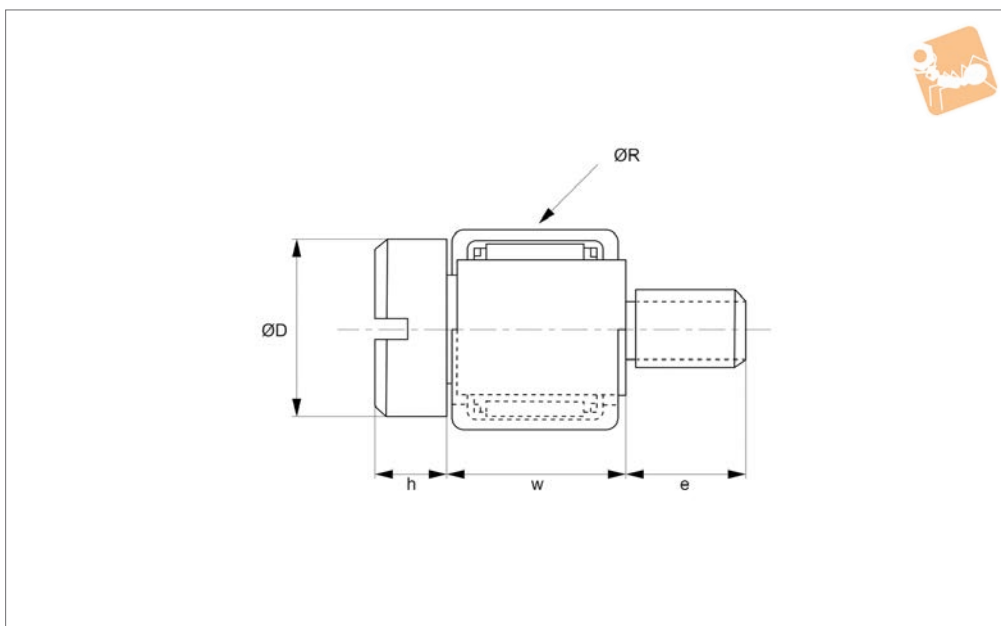
### Technical Notes

ABEC 5.

Order No.	Ø R	w	l	d	h	Thread	Bearing
R4030.B07	7	3	12	5	3	M 3x0,5	Ball
R4030.B09	9	4	11	6	3	M 3x0,5	Ball
R4030.B11	11	5	13	8	4	M 4x0,7	Ball
R4030.B13	13	4	14	8	4	M 4x0,7	Ball
R4030.B16	16	5	13	8	4	M 4x0,7	Ball
R4030.B19	19	6	17	10	5	M 5x0,8	Ball
R4030.BR08	8	4	11	6	3	M 3x0,5	Bronze
R4030.BR10	10	5	14	8	4	M 4x0,7	Bronze
R4030.BR13	13	5	14	8	4	M 4x0,7	Bronze
R4030.BR16	16	5	16	10	5	M 5x0,8	Bronze



R4032



**Material**

Roller cup - case hardened steel.  
Needle bearings - hardened steel.

Bearing cage - low carbon steel.

Screw - stainless steel (DIN 1,4005).

**Technical Notes**

High load, low profile, low friction.

Order No.	Ø R	w	Ø d	h	e	Screw
R4032.008	8.00	8.00	6.0	2.7	4	M3x0,5
R4032.009	9.00	9.00	8.0	4.0	5	M4x0,7
R4032.010	10.00	9.00	8.5	5.0	6	M5x0,8
R4032.012	12.00	10.00	10.5	5.7	11	M6x1,0
R4032.014	14.00	10.00	12.5	6.7	12	M8x1,25
R4032.016	16.00	12.00	14.5	7.7	16	M10x1,50