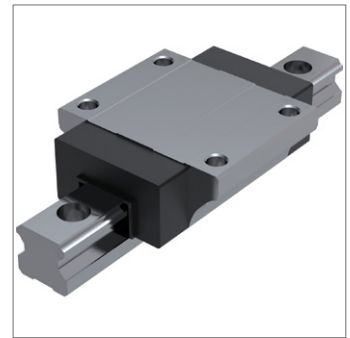
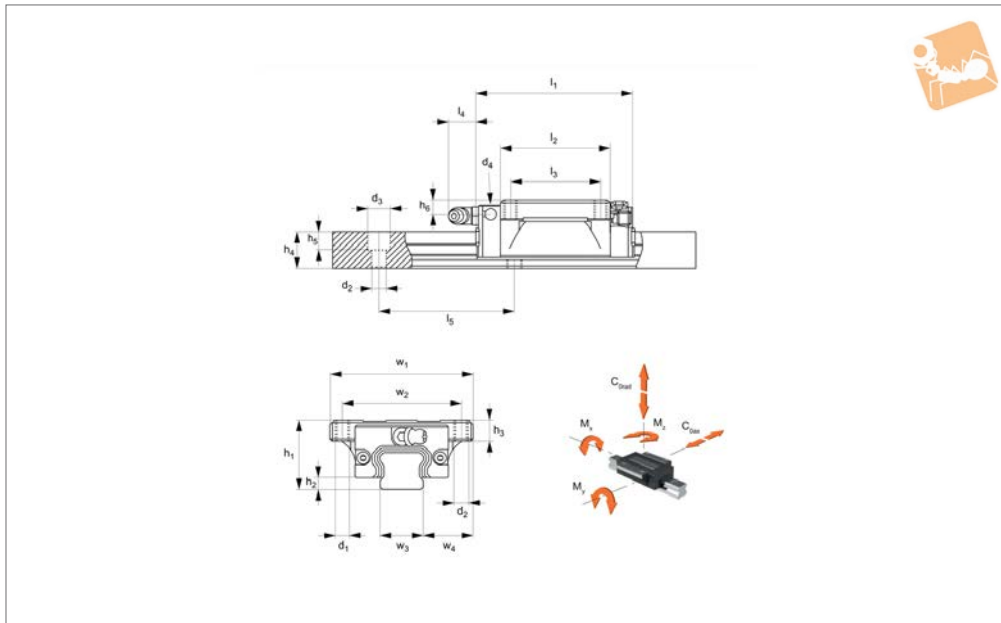




Flanged Carriages - Standard with retained ball cage

Linear Guide-ways



L1016.F

LINEAR GUIDEWAYS

Material

Hardened and ground steel.

Technical Notes

Select the size and number of carriages to suit the required load then select the

required rail length, (see part nos. L1016.15 through to L1016.55). Standard preload carriages are K_0 (no preload) or K_1 (0,02 x dynamic load capacity). Other preloads available on request.

Tips

Improved version with ball cages allowing the carriages to be removed from the rail without the balls falling out.

Order No.	Rail size	l_1	h_1	l_2	w_1	l_3	h_2	h_3	h_4	d_1	h_5	d_2	h_6	w_2	w_3	w_4	l_4	Weight kg
L1016.F15	15	58.6	24	40.2	47	30	3.4	7.5	13.0	M5	5.5	4.4	5.5	38	15	16.0	5.7	0.21
L1016.F15-L	15	66.1	24	47.7	47	30	3.4	7.5	13.0	M5	5.5	4.4	5.5	38	15	16.0	5.7	0.23
L1016.F20	20	70.1	30	48.5	63	40	4.5	9.0	16.3	M6	8.5	5.4	7.1	53	20	21.5	12.3	0.40
L1016.F20-L	20	82.9	30	61.3	63	40	4.5	9.0	16.3	M6	8.5	5.4	7.1	53	20	21.5	12.3	0.46
L1016.F25	25	79.2	36	57.5	70	45	5.8	10.1	19.2	M8	9.0	6.8	10.2	57	23	23.5	12.2	0.57
L1016.F25-L	25	93.9	36	72.2	70	45	5.8	10.1	19.2	M8	9.0	6.8	10.2	57	23	23.5	12.2	0.72
L1016.F25-XL	25	108.6	36	86.9	70	45	5.8	10.1	19.2	M8	9.0	6.8	10.2	57	23	23.5	12.2	0.89
L1016.F30	30	94.8	42	67.8	90	52	7.0	12.0	22.8	M10	12.0	8.6	10.0	72	28	31.0	11.7	1.10
L1016.F30-L	30	105.0	42	78.0	90	52	7.0	12.0	22.8	M10	12.0	8.6	10.0	72	28	31.0	11.7	1.34
L1016.F30-XL	30	130.5	42	103.5	90	52	7.0	12.0	22.8	M10	12.0	8.6	10.0	72	28	31.0	11.7	1.66
L1016.F35	35	111.5	48	80.5	100	62	7.5	14.0	26.0	M10	12.0	8.6	11.5	82	34	33.0	11.5	1.50
L1016.F35-L	35	123.5	48	92.5	100	62	7.5	14.0	26.0	M10	12.0	8.6	11.5	82	34	33.0	11.5	1.90
L1016.F35-XL	35	153.5	48	122.5	100	62	7.5	14.0	26.0	M10	12.0	8.6	11.5	82	34	33.0	11.5	2.54
L1016.F45	45	129.0	60	94.0	120	80	8.9	16.0	31.1	M12	17.0	10.6	14.4	100	45	37.5	10.8	2.27
L1016.F45-L	45	145.0	60	110.0	120	80	8.9	16.0	31.1	M12	17.0	10.6	14.4	100	45	37.5	10.8	2.68
L1016.F45-XL	45	174.0	60	139.0	120	80	8.9	16.0	31.1	M12	17.0	10.6	14.4	100	45	37.5	10.8	3.42
L1016.F55	55	155.0	70	116.0	140	95	12.7	19.0	38.0	M14	20.0	12.6	14.0	116	53	43.5	10.8	3.44
L1016.F55-L	55	193.0	70	154.0	140	95	12.7	19.0	38.0	M14	20.0	12.6	14.0	116	53	43.5	10.8	4.63
L1016.F55-XL	55	210.0	70	171.0	140	95	12.7	19.0	38.0	M14	20.0	12.6	14.0	116	53	43.5	10.8	5.16

Order No.	l_5	d_3	d_4	M_x Nm	M_y Nm	M_z Nm	Dyn. load C_{rad} & ax kN	Static load C_{0rad} & ax kN
L1016.F15	60	7.5	M3 x 0,5	137	120	120	11.67	19.90
L1016.F15-L	60	7.5	M3 x 0,5	166	171	171	14.12	24.05
L1016.F20	60	9.5	M6 x 1,0	289	224	224	17.98	30.96
L1016.F20-L	60	9.5	M6 x 1,0	376	366	366	23.30	40.11
L1016.F25	60	11.0	M6 x 1,0	447	358	358	25.25	41.73
L1016.F25-L	60	11.0	M6 x 1,0	576	577	577	32.44	53.63
L1016.F25-XL	60	11.0	M6 x 1,0	691	833	833	36.58	64.30
L1016.F30	80	14.0	M6 x 1,0	719	560	560	37.33	55.50
L1016.F30-L	80	14.0	M6 x 1,0	931	836	836	48.35	71.88
L1016.F30-XL	80	14.0	M6 x 1,0	1142	1361	1361	53.83	88.18



Order No.	l_5	d_3	d_4	M_x Nm	M_y Nm	M_z Nm	Dyn. load $C_{rad \& ax}$ kN	Static load $C_{Orad \& ax}$ kN
L1016.F35	80	14.0	M6 x 1,0	1307	991	991	53.31	82.66
L1016.F35-L	80	14.0	M6 x 1,0	1633	1424	1424	66.61	103.29
L1016.F35-XL	80	14.0	M6 x 1,0	2020	2330	2330	73.29	127.68
L1016.F45	105	20.0	M8 x 1,25	2353	1559	1559	73.14	111.30
L1016.F45-L	105	20.0	M8 x 1,25	2798	2170	2170	86.99	132.39
L1016.F45-XL	105	20.0	M8 x 1,25	3527	3455	3455	100.52	166.87
L1016.F55	120	23.0	M8 x 1,25	3385	2361	2361	88.26	136.62
L1016.F55-L	120	23.0	M8 x 1,25	4538	4202	4202	119.10	183.14
L1016.F55-XL	120	23.0	M8 x 1,25	6430	6617	6617	161.43	259.71