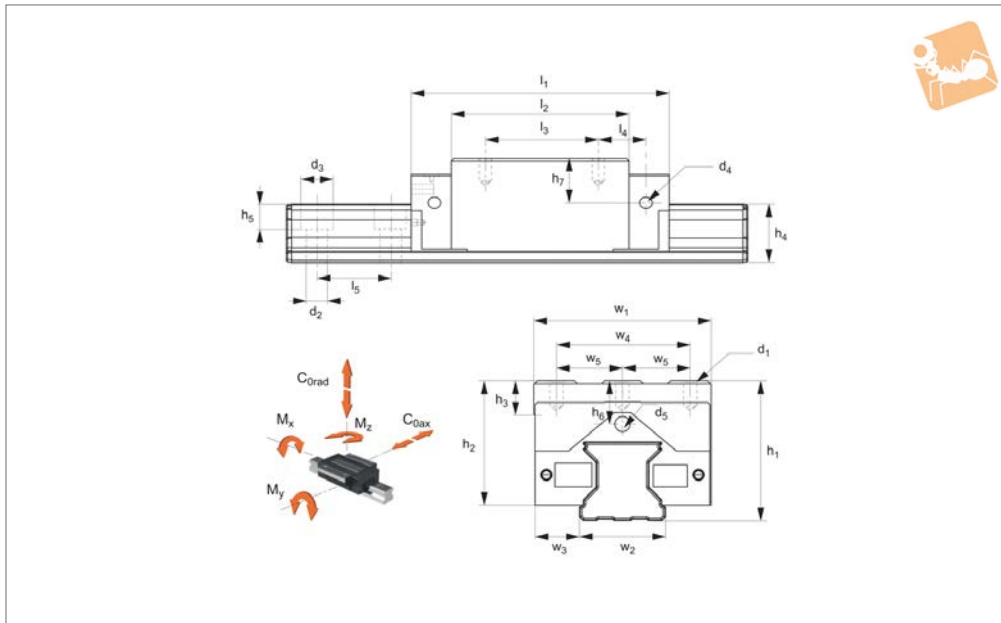




Needle Roller - Unflanged Carriages

needle roller



L1017.U

LINEAR GUIDEWAYS

Material

Hardened and ground steel.

Technical Notes

Needle roller linear guideways can take significantly higher loads than the same size standard (ball) linear guideways. Select the size and number of carriages to

suit the required load then select the required rail length, (see part nos. L1017.25 through to L1017.65). Standard preload carriages are K_0 (no preload) or K_1 (0,02 x dynamic load capacity). Other preloads available on request.

Tips

These are very heavy duty needle roller rail carriages and can only be used with corresponding needle roller rails L1017. For standard linear guideways and carriages see part no. L1016.

Order No.	Rail size	w ₁	w ₂	h ₁	l ₁	l ₂	h ₂	h ₃	h ₄	h ₅	h ₆	h ₇	d ₁	d ₂
L1017.U35	35	70	34	55	122	84	49	13	31	17.0	17	23.4	M8x16	9
L1017.U45	45	86	45	70	156	110	62	13	38	17.0	24.6	31.8	M10x20	14

Order No.	d ₃	d ₄	d ₅	l ₃	l ₄	l ₅	w ₃	w ₄	w ₅	Dyn. load C _{rad & ax} max. kN	Static load C _{0rad & ax} max. kN	Moment M _x max. Nm	Moment M _y max. Nm	Moment M _z max. Nm
L1017.U35	14	M6x8	M6x12	50	25	40	18	50	25	57	154	2742	1946	1946
L1017.U45	20	M6x8	M6x12	60	39.2	52.5	20.5	60	30	95.9	255	6350	4450	4450