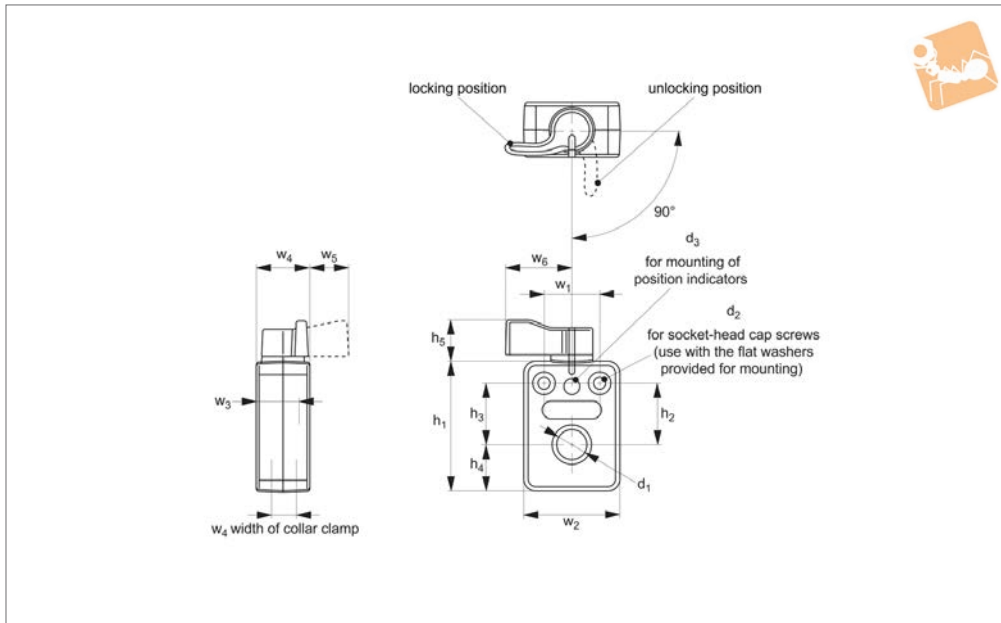




Sliding Clamps - for Solid Round Bar

quarter turn lock- l-handle grip - polyamide

Lead Screws & Nuts



L1480

LEAD SCREWS & NUTS

Material

Housing: Polyamide (glass-fibre reinforced)

Boss: Polyamide (glass-fibre reinforced)

Base: Polyamide (glass-fibre reinforced)

Insert: Stainless steel

Technical Notes

It has teeth inside and it engages at every 7.2° (=360°/ 50).

pulls the spindle by the inner spring with 70N force to prevent chattering of the spindle. Note: The spindle should be fully inserted into the knob for 25mm.

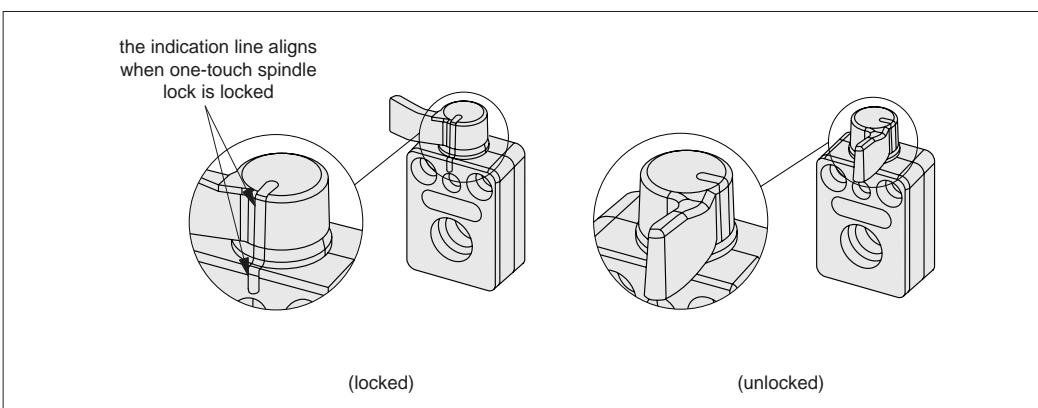
Order No.	Handle	d_1 for shaft dia. tol. h7	d_2	d_3	h_1	h_2	h_3	h_4	Weight g
L1480.008-040	Orange	8	M 4	6	48.5	23.5	22	17	50
L1480.010-040	Orange	10	M 4	6	48.5	23.5	22	17	50
L1480.012-040	Orange	12	M 4	6	48.5	23.5	22	17	50
L1480.014-040	Orange	14	M 4	6	48.5	23.5	22	17	50
L1480.012-050	Orange	12	M 5	6	69.0	17.0	30	26	100
L1480.015-050	Orange	15	M 5	6	69.0	17.0	30	26	100
L1480.016-050	Orange	16	M 5	6	69.0	17.0	30	26	100
L1480.020-050	Orange	20	M 5	6	69.0	17.0	30	26	100

Order No.	h_5	w_1	w_2	w_3	w_4	w_5	w_6	Allowable holding torque	Allowable sliding torque
								Nm max.	Nm max.
L1480.008-040	15.5	21	36	14.0	20	15	25	3	400
L1480.010-040	15.5	21	36	14.0	20	15	25	3	400
L1480.012-040	15.5	21	36	14.0	20	15	25	4	400
L1480.014-040	15.5	21	36	14.0	20	15	25	4	400
L1480.012-050	15.5	34	51	12.5	20	15	25	5	500
L1480.015-050	15.5	34	51	12.5	20	15	25	5	500
L1480.016-050	15.5	34	51	12.5	20	15	25	6	500
L1480.020-050	15.5	34	51	12.5	20	15	25	6	500



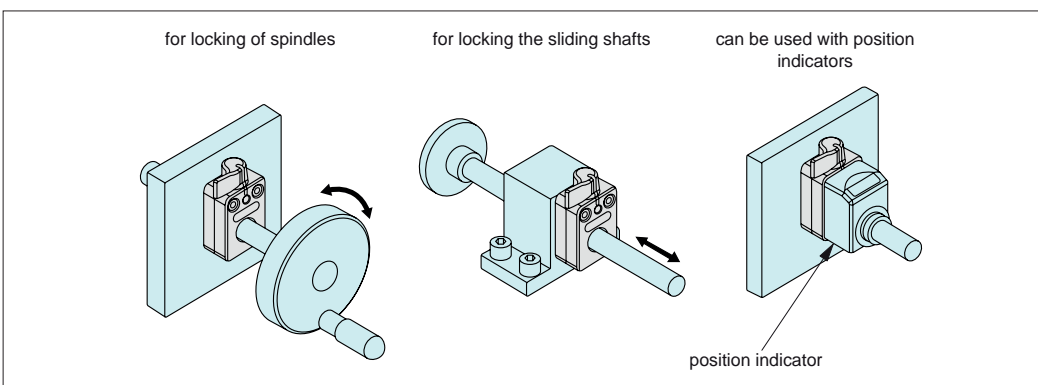
Operating Principle

- One-touch spindle locks enable quick and secure locking of shafts with one click of the knob.
- When one-touch spindle lock is operated, the knob clicks and the shaft is locked with a steady force. This provides reliable locking of shafts.
- The knob position and the indication line clearly indicate lock/unlock position.



Operating Instructions

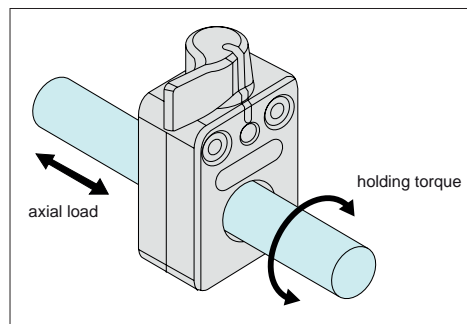
Note: To mount position indicators to one-touch spindle locks, use the rubber cushion supplied with position indicators.



Load Ratings

One-touch spindle locks can fix both revolving and sliding shafts.

For shaft $\varnothing h_7$	d_2	Max. holding torque Nm	Max. axial load N
8	M4	3	400
10	M4	3	400
12	M4	4	400
14	M4	4	400
12	M5	5	500
15	M5	5	500
16	M5	6	500
20	M5	6	500



Notes

- This product cannot be used as bearings or guides for shafts.
- Shafts may slip in environments where shocks or vibrations are present.
- The allowable holding torque and the allowable sliding load may decrease with adhesion of particles or immersion in oil.