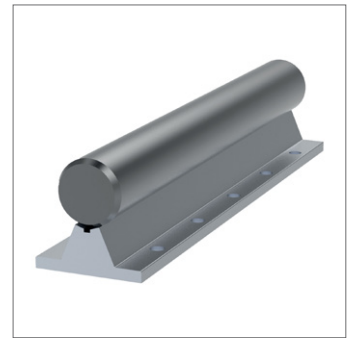
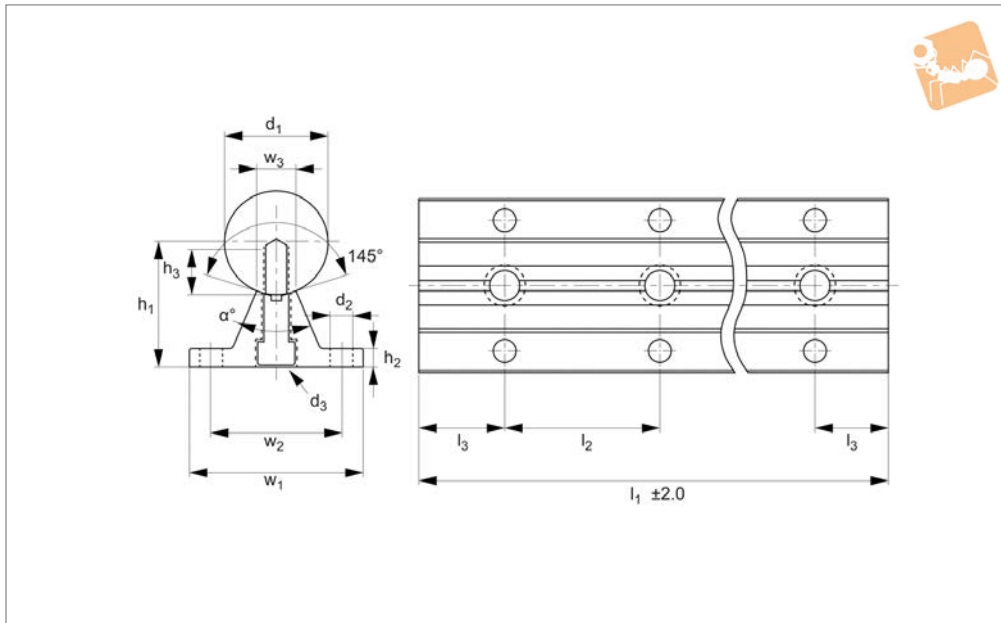




# 12Ø Shaft Support Rails

complete shaft and rail



**L1780.12**

LINEAR SHAFT SUPPORTS

## Material

Hardened and ground carbon steel shaft (070M55, Cf53 - DIN 1.1213), aluminium alloy support rail.  
Surface hardness of steel shaft 60-65 HRC.

## Technical Notes

For open linear bushings, ensures a very rigid and stiff system.

The shaft is pre-mounted to the shaft support rail.

Standard lengths are shown which allow the distance to the first and last hole to be equal (ie  $l_3/2$ ). Different holes pitches available on request.

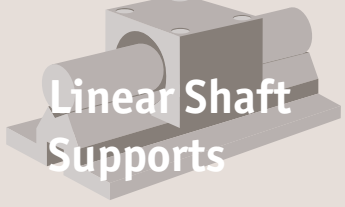
Straightness:  $\pm 0.1\text{mm/metre}$ .

## Tips

For linear carriages see part no. L1755 (flanged) or L1752 (unflanged).  
Stainless steel carriages also available, see part no. L1756 (flanged) or L1753 (unflanged).

On request a stainless steel (usually 440C) shaft can be mounted on the support rail.

Order No.	$d_1$ tol. h6	$d_2$	$d_3$	$l_1$	$l_2$	$l_3$	$w_1$	$w_2$	$w_3$	$h_1$ $\pm 0.01$	$h_2$	$h_3$	$\alpha^\circ$
L1780.12-0240	12	4.5	M4x20	240	120	60	40	29	5.8	22	5	8	50
L1780.12-0360	12	4.5	M4x20	360	120	60	40	29	5.8	22	5	8	50
L1780.12-0480	12	4.5	M4x20	480	120	60	40	29	5.8	22	5	8	50
L1780.12-0600	12	4.5	M4x20	600	120	60	40	29	5.8	22	5	8	50
L1780.12-0720	12	4.5	M4x20	720	120	60	40	29	5.8	22	5	8	50
L1780.12-0840	12	4.5	M4x20	840	120	60	40	29	5.8	22	5	8	50
L1780.12-0960	12	4.5	M4x20	960	120	60	40	29	5.8	22	5	8	50
L1780.12-1080	12	4.5	M4x20	1080	120	60	40	29	5.8	22	5	8	50
L1780.12-1200	12	4.5	M4x20	1200	120	60	40	29	5.8	22	5	8	50
L1780.12-1320	12	4.5	M4x20	1320	120	60	40	29	5.8	22	5	8	50
L1780.12-1440	12	4.5	M4x20	1440	120	60	40	29	5.8	22	5	8	50
L1780.12-1560	12	4.5	M4x20	1560	120	60	40	29	5.8	22	5	8	50
L1780.12-1680	12	4.5	M4x20	1680	120	60	40	29	5.8	22	5	8	50
L1780.12-1800	12	4.5	M4x20	1800	120	60	40	29	5.8	22	5	8	50
L1780.12-1920	12	4.5	M4x20	1920	120	60	40	29	5.8	22	5	8	50
L1780.12-2040	12	4.5	M4x20	2040	120	60	40	29	5.8	22	5	8	50
L1780.12-2160	12	4.5	M4x20	2160	120	60	40	29	5.8	22	5	8	50
L1780.12-2280	12	4.5	M4x20	2280	120	60	40	29	5.8	22	5	8	50
L1780.12-2400	12	4.5	M4x20	2400	120	60	40	29	5.8	22	5	8	50
L1780.12-2520	12	4.5	M4x20	2520	120	60	40	29	5.8	22	5	8	50
L1780.12-2640	12	4.5	M4x20	2640	120	60	40	29	5.8	22	5	8	50
L1780.12-2760	12	4.5	M4x20	2760	120	60	40	29	5.8	22	5	8	50
L1780.12-2880	12	4.5	M4x20	2880	120	60	40	29	5.8	22	5	8	50
L1780.12-3000	12	4.5	M4x20	3000	120	60	40	29	5.8	22	5	8	50
L1780.12-3120	12	4.5	M4x20	3120	120	60	40	29	5.8	22	5	8	50
L1780.12-3240	12	4.5	M4x20	3240	120	60	40	29	5.8	22	5	8	50
L1780.12-3360	12	4.5	M4x20	3360	120	60	40	29	5.8	22	5	8	50
L1780.12-3480	12	4.5	M4x20	3480	120	60	40	29	5.8	22	5	8	50
L1780.12-3600	12	4.5	M4x20	3600	120	60	40	29	5.8	22	5	8	50



# Linear Shaft Supports

## 12Ø Shaft Support Rails complete shaft and rail



LINEAR SHAFT SUPPORTS

Order No.	d <sub>1</sub> tol. h6	d <sub>2</sub>	d <sub>3</sub>	l <sub>1</sub>	l <sub>2</sub>	l <sub>3</sub>	w <sub>1</sub>	w <sub>2</sub>	w <sub>3</sub>	h <sub>1</sub> ±0.01	h <sub>2</sub>	h <sub>3</sub>	α °
L1780.12-3720	12	4.5	M4x20	3720	120	60	40	29	5.8	22	5	8	50
L1780.12-3840	12	4.5	M4x20	3840	120	60	40	29	5.8	22	5	8	50
L1780.12-3960	12	4.5	M4x20	3960	120	60	40	29	5.8	22	5	8	50
L1780.12-4080	12	4.5	M4x20	4080	120	60	40	29	5.8	22	5	8	50
L1780.12-4200	12	4.5	M4x20	4200	120	60	40	29	5.8	22	5	8	50
L1780.12-4320	12	4.5	M4x20	4320	120	60	40	29	5.8	22	5	8	50
L1780.12-4440	12	4.5	M4x20	4440	120	60	40	29	5.8	22	5	8	50
L1780.12-4560	12	4.5	M4x20	4560	120	60	40	29	5.8	22	5	8	50
L1780.12-4680	12	4.5	M4x20	4680	120	60	40	29	5.8	22	5	8	50
L1780.12-4800	12	4.5	M4x20	4800	120	60	40	29	5.8	22	5	8	50
L1780.12-4920	12	4.5	M4x20	4920	120	60	40	29	5.8	22	5	8	50
L1780.12-5040	12	4.5	M4x20	5040	120	60	40	29	5.8	22	5	8	50
L1780.12-5160	12	4.5	M4x20	5160	120	60	40	29	5.8	22	5	8	50
L1780.12-5280	12	4.5	M4x20	5280	120	60	40	29	5.8	22	5	8	50
L1780.12-5400	12	4.5	M4x20	5400	120	60	40	29	5.8	22	5	8	50
L1780.12-5520	12	4.5	M4x20	5520	120	60	40	29	5.8	22	5	8	50
L1780.12-5640	12	4.5	M4x20	5640	120	60	40	29	5.8	22	5	8	50
L1780.12-5760	12	4.5	M4x20	5760	120	60	40	29	5.8	22	5	8	50
L1780.12-5880	12	4.5	M4x20	5880	120	60	40	29	5.8	22	5	8	50
L1780.12-6000	12	4.5	M4x20	6000	120	60	40	29	5.8	22	5	8	50

