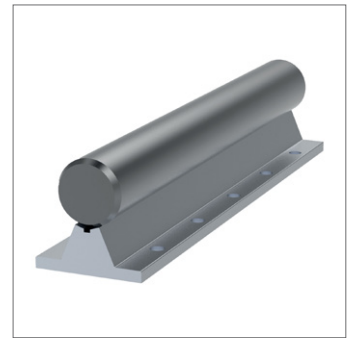
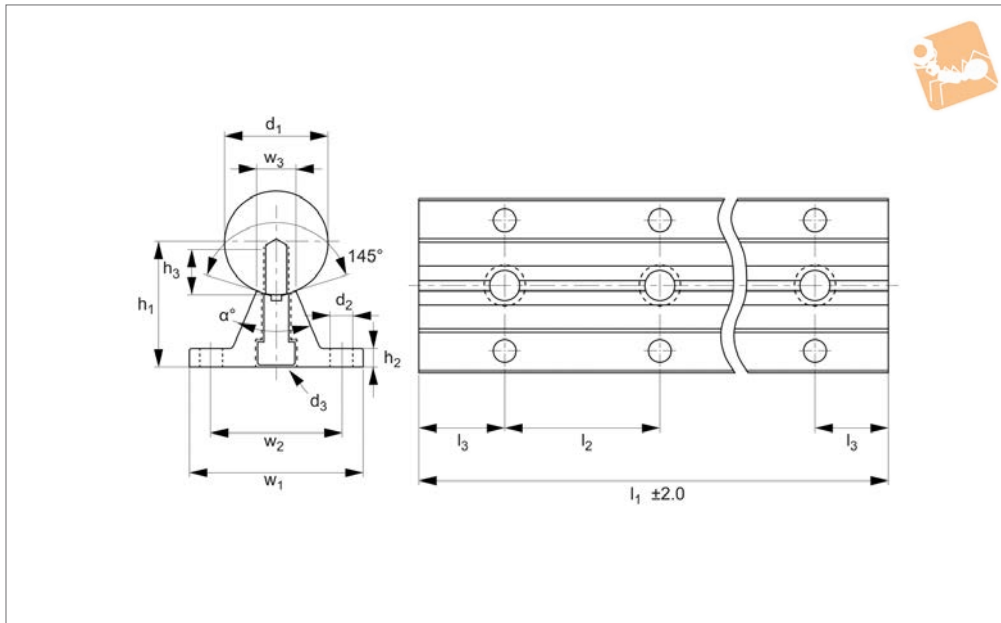
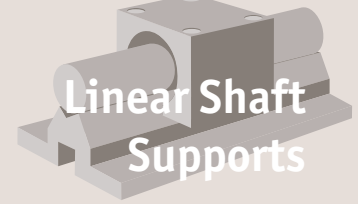




20Ø Shaft Support Rails

complete steel shaft and aluminium support



L1780.20

LINEAR SHAFT SUPPORTS

Material

Hardened and ground carbon steel shaft (070M55, Cf53 - DIN 1.1213), aluminium alloy support rail.
Surface hardness of steel shaft 60-65 HRC.

Technical Notes

For open linear bushings, ensures a very rigid and stiff system.

The shaft is pre-mounted to the shaft support rail.

Standard lengths are shown which allow the distance to the first and last hole to be equal (ie $l_2/2$). Different holes pitches available on request.

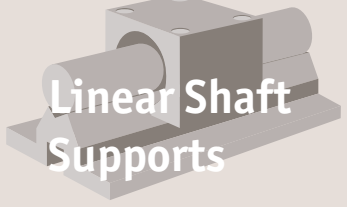
Straightness: $\pm 0.1\text{mm/metre}$.

Tips

For linear carriages see part no. L1755 (flanged) or L1752 (unflanged).
Stainless steel carriages also available, see part no. L1756 (flanged) or L1753 (unflanged).

On request a stainless steel (usually 440C) shaft can be mounted on the support rail.

Order No.	d_1 tol. h6	d_2	d_3	l_1	l_2	l_3	w_1	w_2	w_3	h_1 ± 0.01	h_2	h_3	α
L1780.20-0300	20	6.6	M6x25	300	150	75	52	37	8.3	32	6	11	50
L1780.20-0450	20	6.6	M6x25	450	150	75	52	37	8.3	32	6	11	50
L1780.20-0600	20	6.6	M6x25	600	150	75	52	37	8.3	32	6	11	50
L1780.20-0750	20	6.6	M6x25	750	150	75	52	37	8.3	32	6	11	50
L1780.20-0900	20	6.6	M6x25	900	150	75	52	37	8.3	32	6	11	50
L1780.20-1050	20	6.6	M6x25	1050	150	75	52	37	8.3	32	6	11	50
L1780.20-1200	20	6.6	M6x25	1200	150	75	52	37	8.3	32	6	11	50
L1780.20-1350	20	6.6	M6x25	1350	150	75	52	37	8.3	32	6	11	50
L1780.20-1500	20	6.6	M6x25	1500	150	75	52	37	8.3	32	6	11	50
L1780.20-1650	20	6.6	M6x25	1650	150	75	52	37	8.3	32	6	11	50
L1780.20-1800	20	6.6	M6x25	1800	150	75	52	37	8.3	32	6	11	50
L1780.20-1950	20	6.6	M6x25	1950	150	75	52	37	8.3	32	6	11	50
L1780.20-2100	20	6.6	M6x25	2100	150	75	52	37	8.3	32	6	11	50
L1780.20-2250	20	6.6	M6x25	2250	150	75	52	37	8.3	32	6	11	50
L1780.20-2400	20	6.6	M6x25	2400	150	75	52	37	8.3	32	6	11	50
L1780.20-2550	20	6.6	M6x25	2550	150	75	52	37	8.3	32	6	11	50
L1780.20-2700	20	6.6	M6x25	2700	150	75	52	37	8.3	32	6	11	50
L1780.20-2850	20	6.6	M6x25	2850	150	75	52	37	8.3	32	6	11	50
L1780.20-3000	20	6.6	M6x25	3000	150	75	52	37	8.3	32	6	11	50
L1780.20-3150	20	6.6	M6x25	3150	150	75	52	37	8.3	32	6	11	50
L1780.20-3300	20	6.6	M6x25	3300	150	75	52	37	8.3	32	6	11	50
L1780.20-3450	20	6.6	M6x25	3450	150	75	52	37	8.3	32	6	11	50
L1780.20-3600	20	6.6	M6x25	3600	150	75	52	37	8.3	32	6	11	50
L1780.20-3750	20	6.6	M6x25	3750	150	75	52	37	8.3	32	6	11	50
L1780.20-3900	20	6.6	M6x25	3900	150	75	52	37	8.3	32	6	11	50
L1780.20-4000	20	6.6	M6x25	4000	150	75	52	37	8.3	32	6	11	50
L1780.20-4050	20	6.6	M6x25	4050	150	75	52	37	8.3	32	6	11	50
L1780.20-4200	20	6.6	M6x25	4200	150	75	52	37	8.3	32	6	11	50
L1780.20-4350	20	6.6	M6x25	4350	150	75	52	37	8.3	32	6	11	50



Linear Shaft Supports

20Ø Shaft Support Rails

complete steel shaft and aluminium support



LINEAR SHAFT SUPPORTS

Order No.	d ₁ tol. h6	d ₂	d ₃	l ₁	l ₂	l ₃	w ₁	w ₂	w ₃	h ₁ ±0.01	h ₂	h ₃	α °
L1780.20-4500	20	6.6	M6x25	4500	150	75	52	37	8.3	32	6	11	50
L1780.20-4650	20	6.6	M6x25	4650	150	75	52	37	8.3	32	6	11	50
L1780.20-4800	20	6.6	M6x25	4800	150	75	52	37	8.3	32	6	11	50
L1780.20-4950	20	6.6	M6x25	4940	150	75	52	37	8.3	32	6	11	50
L1780.20-5100	20	6.6	M6x25	5100	150	75	52	37	8.3	32	6	11	50
L1780.20-5250	20	6.6	M6x25	5250	150	75	52	37	8.3	32	6	11	50
L1780.20-5400	20	6.6	M6x25	5400	150	75	52	37	8.3	32	6	11	50
L1780.20-5550	20	6.6	M6x25	5550	150	75	52	37	8.3	32	6	11	50
L1780.20-5700	20	6.6	M6x25	5700	150	75	52	37	8.3	32	6	11	50
L1780.20-5850	20	6.6	M6x25	5850	150	75	52	37	8.3	32	6	11	50
L1780.20-6000	20	6.6	M6x25	6000	150	75	52	37	8.3	32	6	11	50

