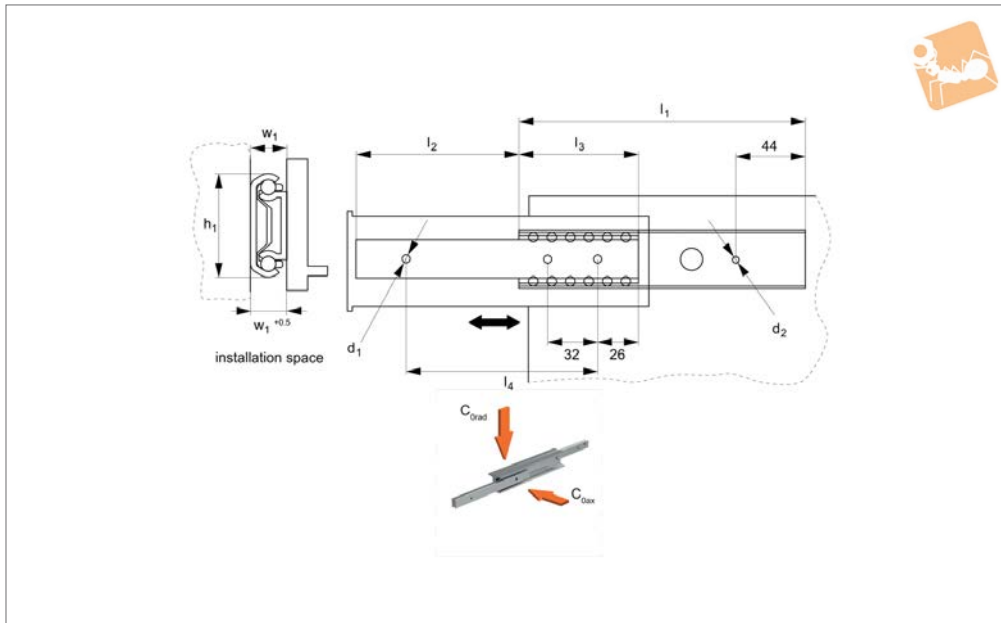
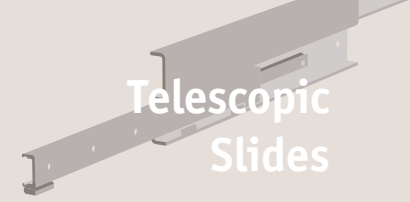




Semi-Telescopic Drawer Slides



L2000

TELESCOPIC SLIDES

Material

Galvanized steel. Hardened steel balls with plastic ball cage.

slide and based on 100,000 cycles, uniform load distribution and use of all fixing holes to mount the slide.

height 2,5 mm).

Technical Notes

C_{0rad} is the load rating for a single drawer

Tips

Fix with M5 countersunk screws (head

Order No.	l_1	l_2 stroke	h_1	d_1 for	d_2 for	w_1	l_3	l_4	Load (per rail) C_{0ax} N max.	Load (per rail) C_{0rad} N max.	Weight kg
L2000.0150	242	154	37.5	M5	M4	13.0	88	192	50	175	0.3
L2000.0230	317	229	37.5	M5	M4	13.0	88	256	50	175	0.4
L2000.0300	398	298	37.5	M5	M4	13.0	100	352	50	175	0.5
L2000.0370	473	373	37.5	M5	M4	13.0	100	416	50	175	0.6