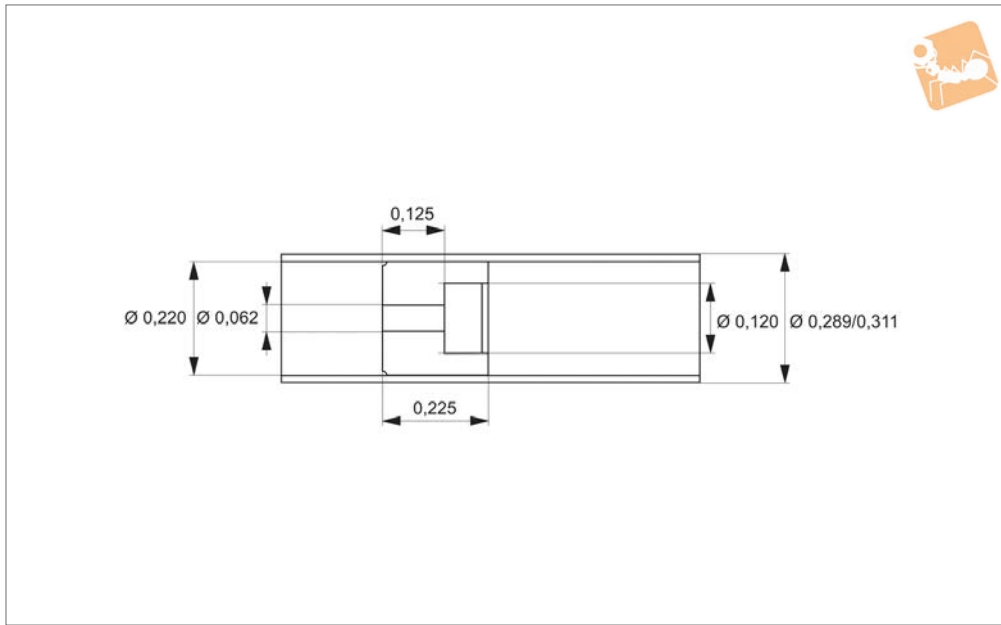




Cylinder / Piston Set

0,22" bore

Cylinders



L4630

CYLINDERS

Material

Piston: Carbon graphite
Cylinder: Glass

Technical Notes

Max operating temp = 260°C

Important Notes

Specials available on request.

Order No.	Stroke	Bore dia.	Outside dia.	Cylinder length	Piston length	Piston area in ²	Friction g w/o sideload	Cylinder weight g	Piston weight g
L4630.0500	0,5"	0.220	0.311	0,825"	0.225	0.038	< 1	1.39	0.20
L4630.1000	1,0"	0.220	0.311	1,325"	0.225	0.038	< 1	1.39	0.20
L4630.2000	2,0"	0.220	0.311	2,325"	0.225	0.038	< 1	1.39	0.20
L4630.3000	3,0"	0.220	0.311	3,325"	0.225	0.038	< 1	1.39	0.20
L4630.4000	4,0"	0.220	0.311	4,325"	0.225	0.038	< 1	1.39	0.20
L4630.5000	5,0"	0.220	0.311	5,325"	0.225	0.038	< 1	1.39	0.20
L4630.6000	6,0"	0.220	0.311	6,325"	0.225	0.038	< 1	1.39	0.20
L4630.7000	7,0"	0.220	0.311	7,325"	0.225	0.038	< 1	1.39	0.20
L4630.8000	8,0"	0.220	0.311	8,325"	0.225	0.038	< 1	1.39	0.20