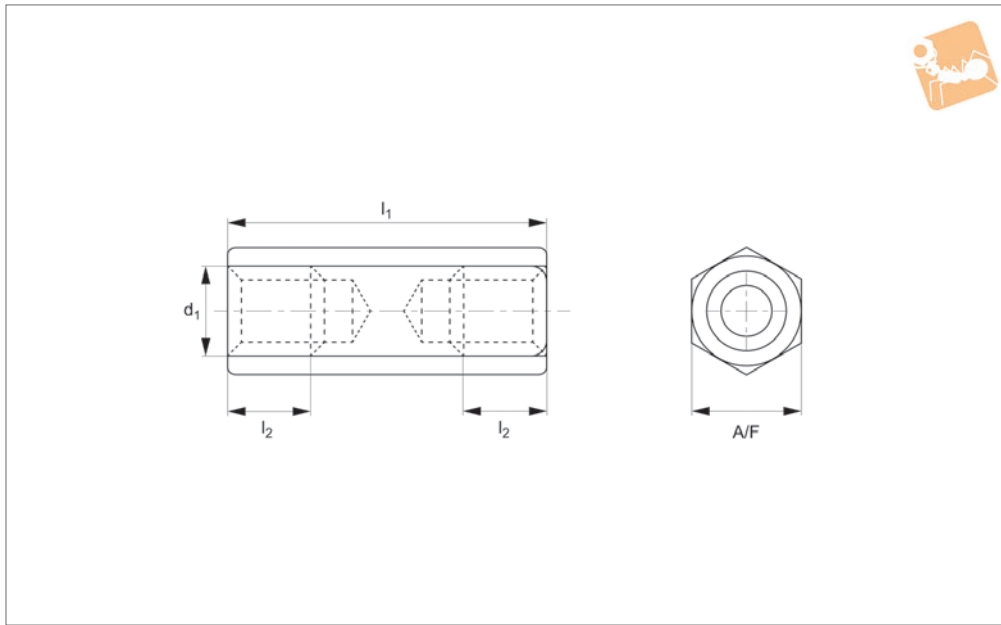
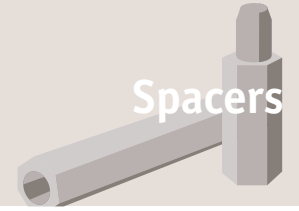




Stainless Hexagonal Spacers

303 stainless



P0060.A2

SPACERS

Material

Stainless steel (AISI 303, 1.4305)

Technical Notes

Slightly magnetic.

$l_3 = (l_2 + >1\text{mm})$.

Order No.	d ₁	l ₁ tol. js13	l ₂	A/F
P0060.025-005-A2	M2,5	5	5	5
P0060.025-010-A2	M2,5	10	5	5
P0060.025-012-A2	M2,5	12	6	5
P0060.025-015-A2	M2,5	15	6	5
P0060.025-018-A2	M2,5	18	6	5
P0060.025-020-A2	M2,5	20	6	5
P0060.025-025-A2	M2,5	25	6	5
P0060.030-005-A2	M3	5	5	5.5
P0060.030-008-A2	M3	8	8	5.5
P0060.030-010-A2	M3	10	10	5.5
P0060.030-012-A2	M3	12	6	5.5
P0060.030-015-A2	M3	15	7	5.5
P0060.030-018-A2	M3	18	7	5.5
P0060.030-020-A2	M3	20	7	5.5
P0060.030-025-A2	M3	25	7	5.5
P0060.030-030-A2	M3	30	7	5.5
P0060.030-035-A2	M3	35	7	5.5
P0060.030-040-A2	M3	40	7	5.5
P0060.030-045-A2	M3	45	7	5.5
P0060.040-005-A2	M4	5	5	7
P0060.040-010-A2	M4	10	10	7
P0060.040-015-A2	M4	15	7	7
P0060.040-020-A2	M4	20	9	7
P0060.040-025-A2	M4	25	9	7
P0060.040-030-A2	M4	30	9	7
P0060.040-035-A2	M4	35	9	7
P0060.040-040-A2	M4	40	9	7
P0060.040-045-A2	M4	45	9	7
P0060.040-050-A2	M4	50	9	7
P0060.040-060-A2	M4	60	9	7
P0060.040-070-A2	M4	70	9	7
P0060.040-080-A2	M4	80	9	7
P0060.050-010-A2	M5	10	10	8
P0060.050-015-A2	M5	15	15	8



Stainless Hexagonal Spacers

303 stainless



SPACERS

Order No.	d ₁	l ₁ tol. js13	l ₂	A/F
P0060.050-020-A2	M5	20	10	8
P0060.050-025-A2	M5	25	10	8
P0060.050-030-A2	M5	30	10	8
P0060.050-035-A2	M5	35	10	8
P0060.050-040-A2	M5	40	10	8
P0060.050-050-A2	M5	50	10	8
P0060.050-080-A2	M5	80	10	8
P0060.060-010-A2	M6	10	10	10
P0060.060-015-A2	M6	15	15	10
P0060.060-020-A2	M6	20	10	10
P0060.060-025-A2	M6	25	10	10
P0060.060-030-A2	M6	30	10	10
P0060.060-035-A2	M6	35	10	10
P0060.060-040-A2	M6	40	10	10
P0060.060-050-A2	M6	50	10	10
P0060.060-055-A2	M6	55	10	10
P0060.060-065-A2	M6	65	10	10