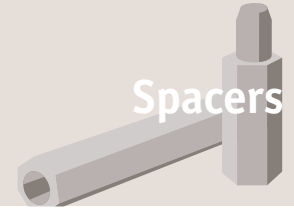


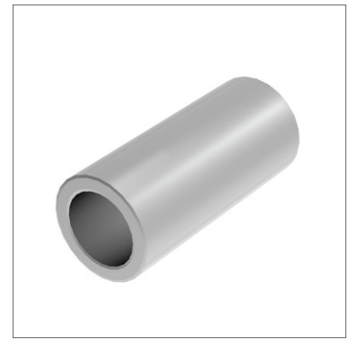
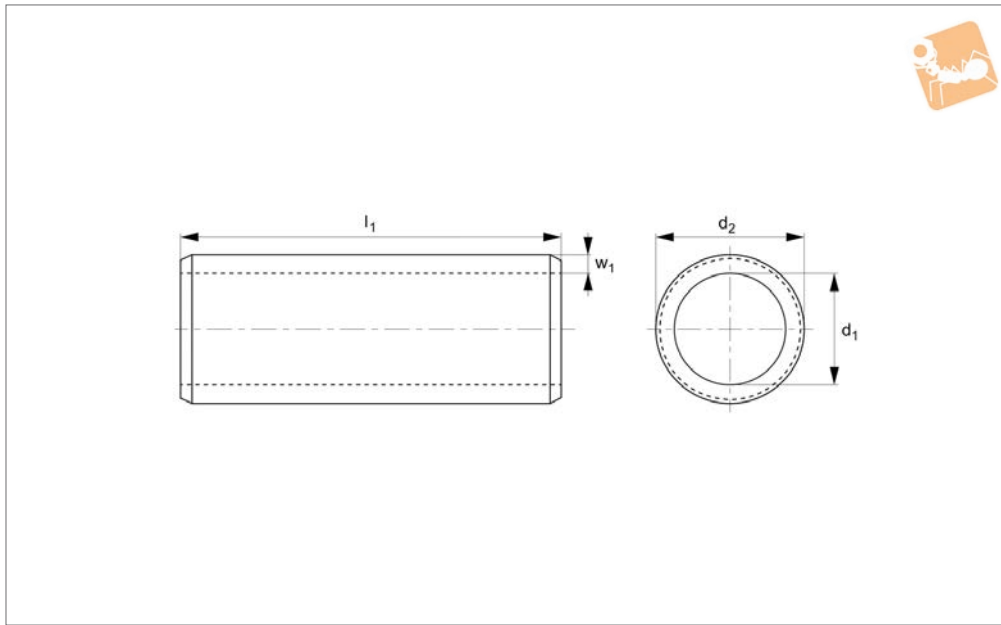


Steel Clearance Spacers

Steel - zinc-plated



Spacers



P0065.ZP

SPACERS

Material

Mild steel (AISI 1010, CS4), zinc plated.

ring process makes them very cost-effective.

Technical Notes

These are rolled spacers - the manufactu-

Order No.	For thread	l_1 +0 -0.2	d_1	d_2	w_1
P0065.025-002-ZP	M2,5	2	2.7	4.5	0.9
P0065.025-003-ZP	M2,5	3	2.7	4.5	0.9
P0065.025-004-ZP	M2,5	4	2.7	4.5	0.9
P0065.025-005-ZP	M2,5	5	2.7	4.5	0.9
P0065.025-006-ZP	M2,5	6	2.7	4.5	0.9
P0065.025-010-ZP	M2,5	10	2.7	4.5	0.9
P0065.025-012-ZP	M2,5	12	2.7	4.5	0.9
P0065.025-015-ZP	M2,5	15	2.7	4.5	0.9
P0065.025-018-ZP	M2,5	18	2.7	4.5	0.9
P0065.030-002-ZP	M 3	2	3.4	5.0	0.8
P0065.030-003-ZP	M 3	3	3.4	5.0	0.8
P0065.030-004-ZP	M 3	4	3.4	5.0	0.8
P0065.030-006-ZP	M 3	6	3.4	5.0	0.8
P0065.030-008-ZP	M 3	8	3.4	5.0	0.8
P0065.030-010-ZP	M 3	10	3.4	5.0	0.8
P0065.030-012-ZP	M 3	12	3.4	5.0	0.8
P0065.030-015-ZP	M 3	15	3.4	5.0	0.8
P0065.030-018-ZP	M 3	18	3.4	5.0	0.8
P0065.030-030-ZP	M 3	30	3.4	5.0	0.8
P0065.040-002-ZP	M 4	2	4.5	6.0	0.75
P0065.040-003-ZP	M 4	3	4.5	6.0	0.75
P0065.040-004-ZP	M 4	4	4.5	6.0	0.75
P0065.040-006-ZP	M 4	6	4.5	6.0	0.75
P0065.040-008-ZP	M 4	8	4.5	6.0	0.75
P0065.040-010-ZP	M 4	10	4.5	6.0	0.75
P0065.040-012-ZP	M 4	12	4.5	6.0	0.75
P0065.040-015-ZP	M 4	15	4.5	6.0	0.75
P0065.040-018-ZP	M 4	18	4.5	6.0	0.75
P0065.040-020-ZP	M 4	20	4.5	6.0	0.75
P0065.040-024-ZP	M 4	24	4.5	6.0	0.75
P0065.040-028-ZP	M 4	28	4.5	6.0	0.75
P0065.040-030-ZP	M 4	30	4.5	6.0	0.75
P0065.040-035-ZP	M 4	35	4.5	6.0	0.75
P0065.040-050-ZP	M 4	50	4.5	6.0	0.75



Order No.	For thread	l_1 +0 -0.2	d_1	d_2	w_1
P0065.050-006-ZP	M 5	6	5.6	8.0	1.2
P0065.050-008-ZP	M 5	8	5.6	8.0	1.2
P0065.050-010-ZP	M 5	10	5.6	8.0	1.2
P0065.050-012-ZP	M 5	12	5.6	8.0	1.2
P0065.050-015-ZP	M 5	15	5.6	8.0	1.2
P0065.050-018-ZP	M 5	18	5.6	8.0	1.2
P0065.050-020-ZP	M 5	20	5.6	8.0	1.2
P0065.050-024-ZP	M 5	24	5.6	8.0	1.2
P0065.050-028-ZP	M 5	28	5.6	8.0	1.2
P0065.050-030-ZP	M 5	30	5.6	8.0	1.2
P0065.050-035-ZP	M 5	35	5.6	8.0	1.2
P0065.050-040-ZP	M 5	40	5.6	8.0	1.2
P0065.060-004-ZP	M 6	4	6.4	10.0	1.8
P0065.060-006-ZP	M 6	6	6.4	10.0	1.8
P0065.060-008-ZP	M 6	8	6.4	10.0	1.8
P0065.060-010-ZP	M 6	10	6.4	10.0	1.8
P0065.060-012-ZP	M 6	12	6.4	10.0	1.8
P0065.060-015-ZP	M 6	15	6.4	10.0	1.8
P0065.060-020-ZP	M 6	20	6.4	10.0	1.8
P0065.060-024-ZP	M 6	24	6.4	10.0	1.8
P0065.060-025-ZP	M 6	25	6.4	10.0	1.8
P0065.060-028-ZP	M 6	28	6.4	10.0	1.8
P0065.060-030-ZP	M 6	30	6.4	10.0	1.8
P0065.060-035-ZP	M 6	35	6.4	10.0	1.8
P0065.060-040-ZP	M 6	40	6.4	10.0	1.8
P0065.080-004-ZP	M 8	4	8.4	12.0	1.8
P0065.080-006-ZP	M 8	6	8.4	12.0	1.8
P0065.080-010-ZP	M 8	10	8.4	12.0	1.8
P0065.080-012-ZP	M 8	12	8.4	12.0	1.8
P0065.080-015-ZP	M 8	15	8.4	12.0	1.8
P0065.080-020-ZP	M 8	20	8.4	12.0	1.8
P0065.080-025-ZP	M 8	25	8.4	12.0	1.8
P0065.080-030-ZP	M 8	30	8.4	12.0	1.8
P0065.080-050-ZP	M 8	50	8.4	12.0	1.8
P0065.100-004-ZP	M10	4	10.4	16.0	2.8
P0065.100-006-ZP	M10	6	10.4	16.0	2.8
P0065.100-008-ZP	M10	8	10.4	16.0	2.8
P0065.100-010-ZP	M10	10	10.4	16.0	2.8
P0065.100-012-ZP	M10	12	10.4	16.0	2.8
P0065.100-016-ZP	M10	16	10.4	16.0	2.8
P0065.100-018-ZP	M10	18	10.4	16.0	2.8
P0065.100-024-ZP	M10	24	10.4	16.0	2.8
P0065.100-030-ZP	M10	30	10.4	16.0	2.8
P0065.120-003-ZP	M12	3	12.4	16.0	1.8
P0065.120-005-ZP	M12	5	12.4	16.0	1.8
P0065.120-008-ZP	M12	8	12.4	16.0	1.8
P0065.120-010-ZP	M12	10	12.4	16.0	1.8
P0065.120-015-ZP	M12	15	12.4	16.0	1.8
P0065.120-020-ZP	M12	20	12.4	16.0	1.8