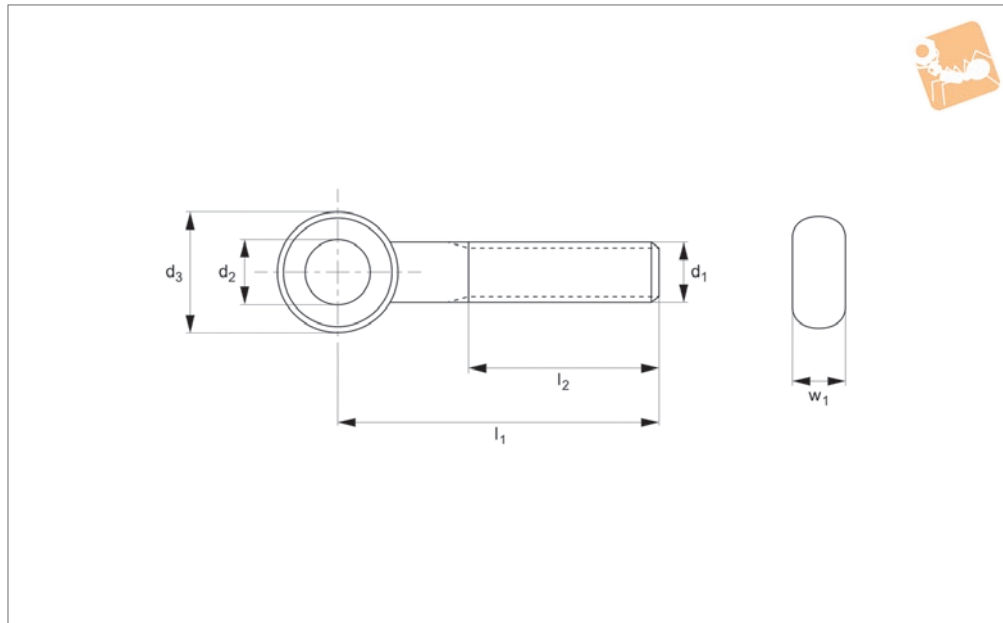




Swing Bolts

Steel - self-colour

Lifting Pins, Lifting Bolts &



P0070.SC

LIFTING PINS, LIFTING BOLTS & SWING BOLTS

Material

Steel, self-colour (class 4.6).

Technical Notes

To DIN 444 B.

Order No.	d ₁	l ₁	d ₂ tol. H7	d ₃	l ₂	w ₁ max.
P0070.060-030-SC	M6	30	6	14	18	7
P0070.060-040-SC	M6	40	6	14	18	7
P0070.060-050-SC	M6	50	6	14	18	7
P0070.060-060-SC	M6	60	6	14	18	7
P0070.080-030-SC	M8	30	8	18	22	9
P0070.080-040-SC	M8	40	8	18	22	9
P0070.080-050-SC	M8	50	8	18	22	9
P0070.080-060-SC	M8	60	8	18	22	9
P0070.080-070-SC	M8	70	8	18	22	9
P0070.080-080-SC	M8	80	8	18	22	9
P0070.080-090-SC	M8	90	8	18	22	9
P0070.080-100-SC	M8	100	8	18	22	9
P0070.080-120-SC	M8	120	8	18	22	9
P0070.100-040-SC	M10	40	10	20	26	12
P0070.100-050-SC	M10	50	10	20	26	12
P0070.100-060-SC	M10	60	10	20	26	12
P0070.100-070-SC	M10	70	10	20	26	12
P0070.100-080-SC	M10	80	10	20	26	12
P0070.100-090-SC	M10	90	10	20	26	12
P0070.100-100-SC	M10	100	10	20	26	12
P0070.100-120-SC	M10	120	10	20	26	12
P0070.120-040-SC	M12	40	12	25	30	14
P0070.120-050-SC	M12	50	12	25	30	14
P0070.120-060-SC	M12	60	12	25	30	14
P0070.120-070-SC	M12	70	12	25	30	14
P0070.120-080-SC	M12	80	12	25	30	14
P0070.120-090-SC	M12	90	12	25	30	14
P0070.120-100-SC	M12	100	12	25	30	14
P0070.120-120-SC	M12	120	12	25	30	14
P0070.120-130-SC	M12	130	12	25	30	14
P0070.120-140-SC	M12	140	12	25	30	14
P0070.120-150-SC	M12	150	12	25	30	14
P0070.160-060-SC	M16	60	16	32	38	17
P0070.160-070-SC	M16	70	16	32	38	17



Order No.	d ₁	l ₁	d ₂ tol. H7	d ₃	l ₂	w ₁ max.
P0070.160-080-SC	M16	80	16	32	38	17
P0070.160-090-SC	M16	90	16	32	38	17
P0070.160-100-SC	M16	100	16	32	38	17
P0070.160-120-SC	M16	120	16	32	38	17
P0070.160-130-SC	M16	130	16	32	38	17
P0070.160-140-SC	M16	140	16	32	38	17
P0070.160-150-SC	M16	150	16	32	38	17
P0070.200-080-SC	M20	80	18	40	46	22
P0070.200-090-SC	M20	90	18	40	46	22
P0070.200-100-SC	M20	100	18	40	46	22
P0070.200-120-SC	M20	120	18	40	46	22
P0070.200-130-SC	M20	130	18	40	46	22
P0070.200-140-SC	M20	140	18	40	46	22
P0070.200-150-SC	M20	150	18	40	46	22
P0070.200-160-SC	M20	160	18	40	46	22
P0070.240-080-SC	M24	80	22	45	54	25
P0070.240-100-SC	M24	100	22	45	54	25
P0070.240-120-SC	M24	120	22	45	54	25
P0070.240-130-SC	M24	130	22	45	54	25
P0070.240-140-SC	M24	140	22	45	54	25
P0070.240-150-SC	M24	150	22	45	54	25
P0070.240-160-SC	M24	160	22	45	54	25
P0070.270-080-SC	M27	120	18	40	60	27
P0070.270-090-SC	M27	140	18	40	60	27
P0070.270-100-SC	M27	160	18	40	60	27
P0070.270-120-SC	M27	180	18	40	60	27
P0070.270-130-SC	M27	200	18	40	60	27
P0070.300-120-SC	M30	120	22	45	66	30
P0070.300-140-SC	M30	140	22	45	66	30
P0070.300-160-SC	M30	160	22	45	66	30
P0070.300-180-SC	M30	180	22	45	66	30
P0070.300-200-SC	M30	200	22	45	66	30