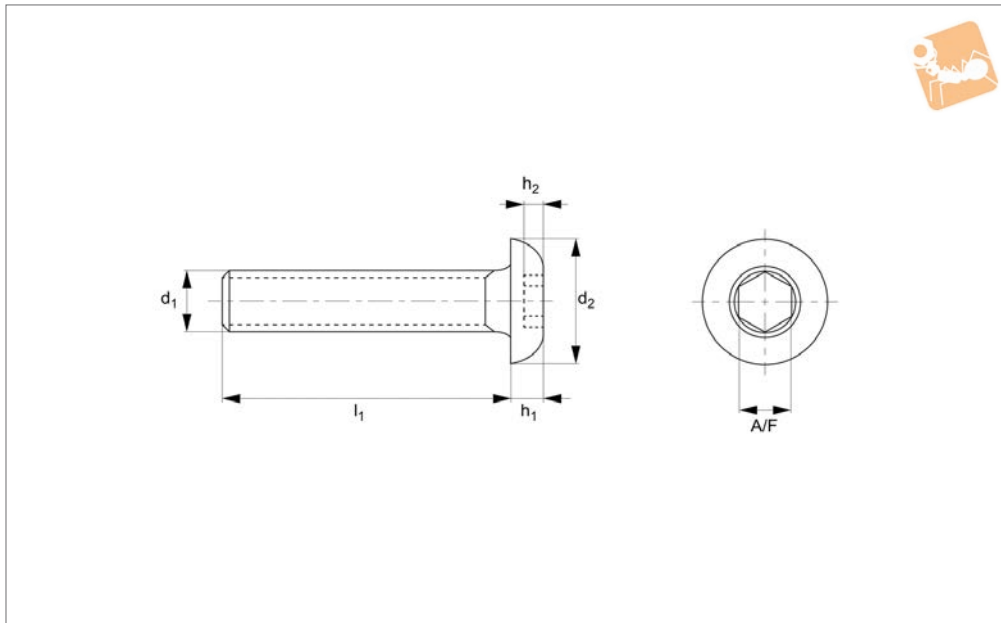




Titanium Socket Button Screws

Grade 2

Titanium Screws



P0102

TITANIUM SCREWS

Material

Titanium (ASTM 348 grade 2, pure titanium).
Tensile strength 345-450 N/mm², yield strength 270 N/mm², hardness 160HB/30.
Grade 5 titanium available on request.

Technical Notes

To ISO 7380. Titanium has a high strength/

weight ratio.

The specific gravity of titanium is approximately 60% that of stainless steel.

For use in lightweight applications in the automobile, aerospace, medical and robotic industries.

Highly resistant to corrosion (including from salt water) and chemical environ-

ments. Non magnetic.

Tips

Also available with TX drive.
Please see Technical page for full grade 2 titanium properties.

Order No.	d ₁	l	d ₂	h ₁	h ₂	A/F
P0102.030-004-G2	M 3	4	5.7	1.65	1.04	2
P0102.030-005-G2	M 3	5	5.7	1.65	1.04	2
P0102.030-006-G2	M 3	6	5.7	1.65	1.04	2
P0102.030-008-G2	M 3	8	5.7	1.65	1.04	2
P0102.030-010-G2	M 3	10	5.7	1.65	1.04	2
P0102.030-012-G2	M 3	12	5.7	1.65	1.04	2
P0102.030-014-G2	M 3	14	5.7	1.65	1.04	2
P0102.030-016-G2	M 3	16	5.7	1.65	1.04	2
P0102.030-020-G2	M 3	20	5.7	1.65	1.04	2
P0102.030-025-G2	M 3	25	5.7	1.65	1.04	2
P0102.030-030-G2	M 3	30	5.7	1.65	1.04	2
P0102.030-035-G2	M 3	35	5.7	1.65	1.04	2
P0102.030-040-G2	M 3	40	5.7	1.65	1.04	2
P0102.040-004-G2	M 4	4	7.6	2.2	1.3	2.5
P0102.040-005-G2	M 4	5	7.6	2.2	1.3	2.5
P0102.040-006-G2	M 4	6	7.6	2.2	1.3	2.5
P0102.040-008-G2	M 4	8	7.6	2.2	1.3	2.5
P0102.040-010-G2	M 4	10	7.6	2.2	1.3	2.5
P0102.040-012-G2	M 4	12	7.6	2.2	1.3	2.5
P0102.040-014-G2	M 4	14	7.6	2.2	1.3	2.5
P0102.040-016-G2	M 4	16	7.6	2.2	1.3	2.5
P0102.040-020-G2	M 4	20	7.6	2.2	1.3	2.5
P0102.040-025-G2	M 4	25	7.6	2.2	1.3	2.5
P0102.040-030-G2	M 4	30	7.6	2.2	1.3	2.5
P0102.040-035-G2	M 4	35	7.6	2.2	1.3	2.5
P0102.040-040-G2	M 4	40	7.6	2.2	1.3	2.5
P0102.040-045-G2	M 4	45	7.6	2.2	1.3	2.5
P0102.040-050-G2	M 4	50	7.6	2.2	1.3	2.5
P0102.050-006-G2	M 5	6	9.5	2.75	1.56	3



Order No.	d ₁	l	d ₂	h ₁	h ₂	A/F
P0102.050-008-G2	M 5	8	9.5	2.75	1.56	3
P0102.050-010-G2	M 5	10	9.5	2.75	1.56	3
P0102.050-012-G2	M 5	12	9.5	2.75	1.56	3
P0102.050-014-G2	M 5	14	9.5	2.75	1.56	3
P0102.050-016-G2	M 5	16	9.5	2.75	1.56	3
P0102.050-020-G2	M 5	20	9.5	2.75	1.56	3
P0102.050-025-G2	M 5	25	9.5	2.75	1.56	3
P0102.050-030-G2	M 5	30	9.5	2.75	1.56	3
P0102.050-035-G2	M 5	35	9.5	2.75	1.56	3
P0102.050-040-G2	M 5	40	9.5	2.75	1.56	3
P0102.050-045-G2	M 5	45	9.5	2.75	1.56	3
P0102.050-050-G2	M 5	50	9.5	2.75	1.56	3
P0102.050-055-G2	M 5	55	9.5	2.75	1.56	3
P0102.050-060-G2	M 5	60	9.5	2.75	1.56	3
P0102.060-008-G2	M 6	8	10.5	3.3	2.08	4
P0102.060-010-G2	M 6	10	10.5	3.3	2.08	4
P0102.060-012-G2	M 6	12	10.5	3.3	2.08	4
P0102.060-014-G2	M 6	14	10.5	3.3	2.08	4
P0102.060-016-G2	M 6	16	10.5	3.3	2.08	4
P0102.060-020-G2	M 6	20	10.5	3.3	2.08	4
P0102.060-025-G2	M 6	25	10.5	3.3	2.08	4
P0102.060-030-G2	M 6	30	10.5	3.3	2.08	4
P0102.060-035-G2	M 6	35	10.5	3.3	2.08	4
P0102.060-040-G2	M 6	40	10.5	3.3	2.08	4
P0102.060-045-G2	M 6	45	10.5	3.3	2.08	4
P0102.060-050-G2	M 6	50	10.5	3.3	2.08	4
P0102.060-055-G2	M 6	55	10.5	3.3	2.08	4
P0102.060-060-G2	M 6	60	10.5	3.3	2.08	4
P0102.060-070-G2	M 6	70	10.5	3.3	2.08	4
P0102.060-080-G2	M 6	80	10.5	3.3	2.08	4
P0102.080-010-G2	M 8	10	14	4.4	2.6	5
P0102.080-012-G2	M 8	12	14	4.4	2.6	5
P0102.080-014-G2	M 8	14	14	4.4	2.6	5
P0102.080-016-G2	M 8	16	14	4.4	2.6	5
P0102.080-020-G2	M 8	20	14	4.4	2.6	5
P0102.080-025-G2	M 8	25	14	4.4	2.6	5
P0102.080-030-G2	M 8	30	14	4.4	2.6	5
P0102.080-035-G2	M 8	35	14	4.4	2.6	5
P0102.080-040-G2	M 8	40	14	4.4	2.6	5
P0102.080-045-G2	M 8	45	14	4.4	2.6	5
P0102.080-050-G2	M 8	50	14	4.4	2.6	5
P0102.080-055-G2	M 8	55	14	4.4	2.6	5
P0102.080-060-G2	M 8	60	14	4.4	2.6	5
P0102.080-070-G2	M 8	70	14	4.4	2.6	5
P0102.080-080-G2	M 8	80	14	4.4	2.6	5
P0102.100-012-G2	M10	12	17.5	5.5	3.12	6
P0102.100-016-G2	M10	16	17.5	5.5	3.12	6
P0102.100-020-G2	M10	20	17.5	5.5	3.12	6
P0102.100-025-G2	M10	25	17.5	5.5	3.12	6
P0102.100-030-G2	M10	30	17.5	5.5	3.12	6
P0102.100-035-G2	M10	35	17.5	5.5	3.12	6
P0102.100-040-G2	M10	40	17.5	5.5	3.12	6
P0102.100-045-G2	M10	45	17.5	5.5	3.12	6
P0102.100-050-G2	M10	50	17.5	5.5	3.12	6
P0102.100-055-G2	M10	55	17.5	5.5	3.12	6
P0102.100-060-G2	M10	60	17.5	5.5	3.12	6
P0102.100-070-G2	M10	70	17.5	5.5	3.12	6
P0102.100-080-G2	M10	80	17.5	5.5	3.12	6