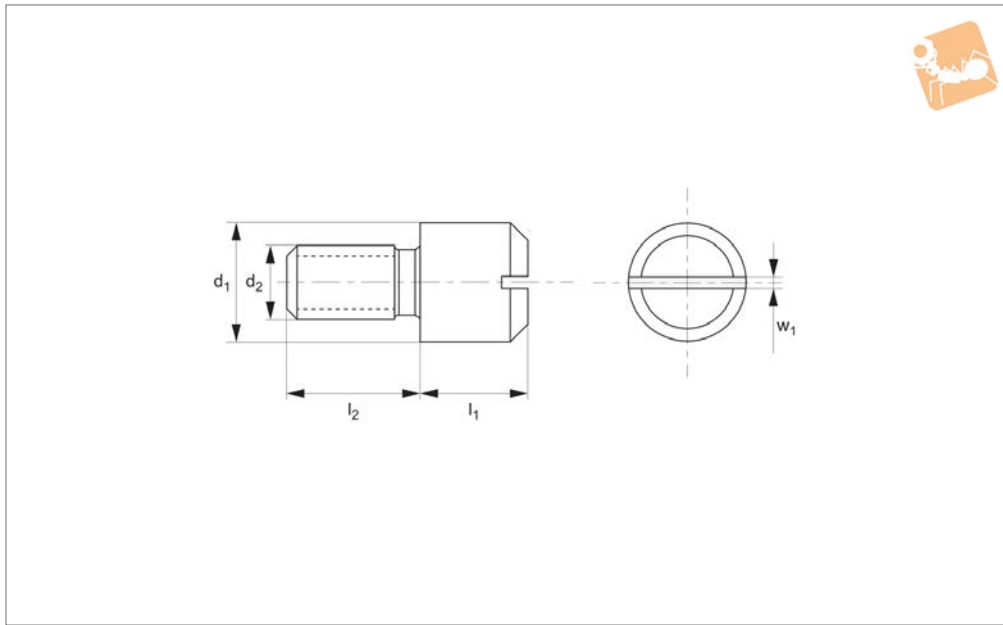




Shoulder Screws - Headless

slot drive - 303 stainless

Shoulder Screws



P0126.A2

SHOULDER SCREWS

Material

Austenitic stainless steel
(AISI 303, 1.4305)

Technical Notes

303 series stainless steel provides good resistance to corrosion. It is mildly magnetic.

Special lengths and diameters produced to drawings.

l_1+l_2 tolerance js15.

Order No.	d_1 h9	l_1	d_2	l_2 +0.3/-0.0	w_1
P0126.040-025-A2	4.0	2.5	M 3	4.5	0.5
P0126.040-030-A2	4.0	3.0	M 3	4.5	0.5
P0126.040-040-A2	4.0	4.0	M 3	4.5	0.5
P0126.040-050-A2	4.0	5.0	M 3	4.5	0.5
P0126.040-060-A2	4.0	6.0	M 3	4.5	0.5
P0126.055-030-A2	5.5	3.0	M 4	6.0	0.6
P0126.055-040-A2	5.5	4.0	M 4	6.0	0.6
P0126.055-050-A2	5.5	5.0	M 4	6.0	0.6
P0126.055-060-A2	5.5	6.0	M 4	6.0	0.6
P0126.055-080-A2	5.5	8.0	M 4	6.0	0.6
P0126.065-040-A2	6.5	4.0	M 5	7.0	0.8
P0126.065-050-A2	6.5	5.0	M 5	7.0	0.8
P0126.065-060-A2	6.5	6.0	M 5	7.0	0.8
P0126.065-080-A2	6.5	8.0	M 5	7.0	0.8
P0126.065-100-A2	6.5	10.0	M 5	7.0	0.8
P0126.080-040-A2	8.0	4.0	M 6	8.0	1.0
P0126.080-050-A2	8.0	5.0	M 6	8.0	1.0
P0126.080-060-A2	8.0	6.0	M 6	8.0	1.0
P0126.080-080-A2	8.0	8.0	M 6	8.0	1.0
P0126.080-100-A2	8.0	10.0	M 6	8.0	1.0