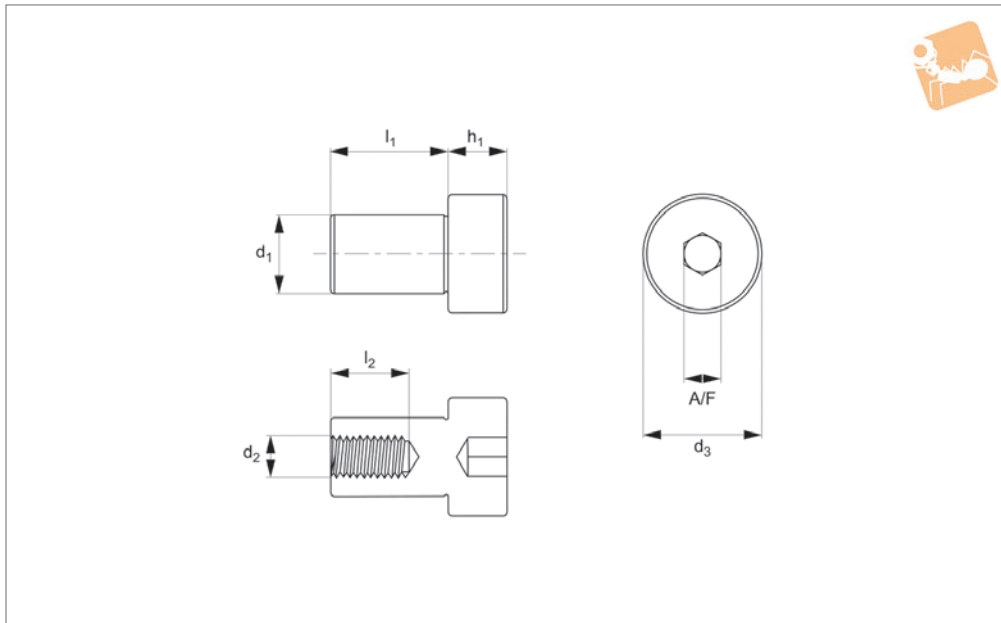




# Shoulder Nuts - Cap Head

hex drive - 316 stainless

# Shoulder Screws



**P0127.A4**

SHOULDER SCREWS

### Material

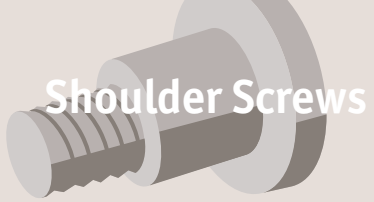
Stainless steel (AISI 316, 1.440).  
Tensile strength 480 N/mm<sup>2</sup>.  
Proof stress min. 200 N/mm<sup>2</sup>, austenitic stainless steel.

### Technical Notes

316 stainless provides excellent corrosion resistance for use in highly caustic or marine environments and it is non-magnetic.

For more standard applications please see our A2 range which is more cost effective.

Order No.	$d_1$ +0.000 -0.025	$l_1$ +0.05 -0.00	$d_2$	$d_3$	$l_2$	$h_1$	A/F
P0127.040-006-A4	4	6	M 2	6	4	3	2
P0127.040-008-A4	4	8	M 2	6	4	3	2
P0127.040-010-A4	4	10	M 2	6	4	3	2
P0127.040-012-A4	4	12	M 2	6	4	3	2
P0127.040-014-A4	4	14	M 2	6	4	3	2
P0127.040-016-A4	4	16	M 2	6	4	3	2
P0127.040-018-A4	4	18	M 2	6	4	3	2
P0127.040-020-A4	4	20	M 2	6	4	3	2
P0127.050-008-A4	5	8	M 2,5	8	5	4	2,5
P0127.050-010-A4	5	10	M 2,5	8	5	4	2,5
P0127.050-012-A4	5	12	M 2,5	8	5	4	2,5
P0127.050-016-A4	5	16	M 2,5	8	5	4	2,5
P0127.050-020-A4	5	20	M 2,5	8	5	4	2,5
P0127.050-025-A4	5	25	M 2,5	8	5	4	2,5
P0127.060-008-A4	6	8	M 3	10	6	5	3
P0127.060-010-A4	6	10	M 3	10	6	5	3
P0127.060-012-A4	6	12	M 3	10	6	5	3
P0127.060-016-A4	6	16	M 3	10	6	5	3
P0127.060-020-A4	6	20	M 3	10	6	5	3
P0127.060-025-A4	6	25	M 3	10	6	5	3
P0127.060-030-A4	6	30	M 3	10	6	5	3
P0127.060-040-A4	6	40	M 3	10	6	5	3
P0127.060-050-A4	6	50	M 3	10	6	5	3
P0127.080-016-A4	8	16	M 3,5	12	11	6	4
P0127.080-020-A4	8	20	M 3,5	12	11	6	4
P0127.080-025-A4	8	25	M 3,5	12	11	6	4
P0127.080-030-A4	8	30	M 3,5	12	11	6	4
P0127.080-040-A4	8	40	M 3,5	12	11	6	4
P0127.080-050-A4	8	50	M 3,5	12	11	6	4
P0127.100-016-A4	10	16	M 4	14	12	7	5
P0127.100-020-A4	10	20	M 4	14	12	7	5
P0127.100-025-A4	10	25	M 4	14	12	7	5
P0127.100-030-A4	10	30	M 4	14	12	7	5



# Shoulder Screws

# Shoulder Nuts - Cap Head

hex drive - 316 stainless



Order No.	$d_1$ +0.000 -0.025	$l_1$ +0.05 -0.00	$d_2$	$d_3$	$l_2$	$h_1$	A/F
P0127.100-040-A4	10	40	M 4	14	12	7	5
P0127.120-025-A4	12	25	M 5	20	16	8	6
P0127.120-030-A4	12	30	M 5	20	16	8	6
P0127.120-040-A4	12	40	M 5	20	16	8	6
P0127.120-050-A4	12	50	M 5	20	16	8	6

SHOULDER SCREWS