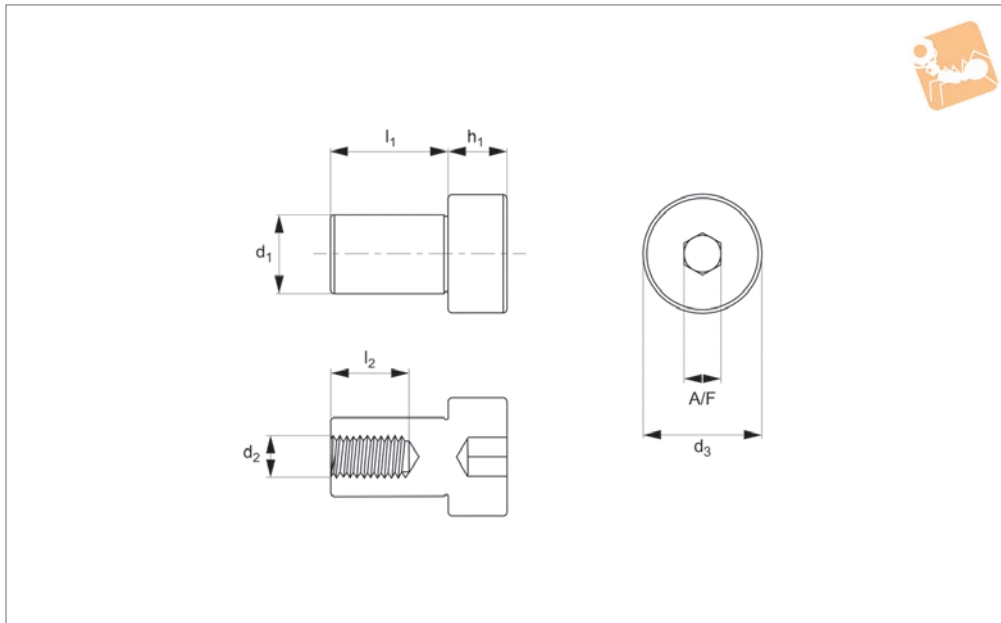
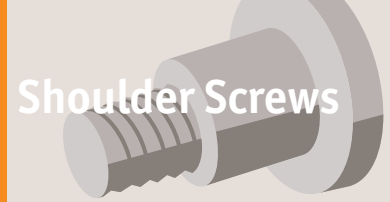




Shoulder Nuts - Cap Head

hex drive - 316 stainless - blackened



P0127.B4

SHOULDER SCREWS

Material

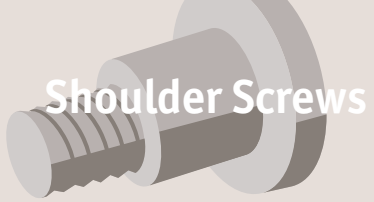
Stainless steel (AISI 316, 1.440), black oxide coating.
Tensile strength 480 N/mm².

Proof stress min. 200 N/mm², austenitic stainless steel.

Technical Notes

It is non-magnetic.
Blackening provides some further corrosion resistance.

Order No.	d ₁ +0.000 -0.025	l ₁ +0.05 -0.00	d ₂	d ₃	l ₂	h ₁	A/F
P0127.040-006-B4	4	6	M 2	6	4	3	2
P0127.040-008-B4	4	8	M 2	6	4	3	2
P0127.040-010-B4	4	10	M 2	6	4	3	2
P0127.040-012-B4	4	12	M 2	6	4	3	2
P0127.040-014-B4	4	14	M 2	6	4	3	2
P0127.040-016-B4	4	16	M 2	6	4	3	2
P0127.040-018-B4	4	18	M 2	6	4	3	2
P0127.040-020-B4	4	20	M 2	6	4	3	2
P0127.050-008-B4	5	8	M 2,5	8	5	4	2.5
P0127.050-010-B4	5	10	M 2,5	8	5	4	2.5
P0127.050-012-B4	5	12	M 2,5	8	5	4	2.5
P0127.050-016-B4	5	16	M 2,5	8	5	4	2.5
P0127.050-020-B4	5	20	M 2,5	8	5	4	2.5
P0127.050-025-B4	5	25	M 2,5	8	5	4	2.5
P0127.060-008-B4	6	8	M 3	10	6	5	3
P0127.060-010-B4	6	10	M 3	10	6	5	3
P0127.060-012-B4	6	12	M 3	10	6	5	3
P0127.060-016-B4	6	16	M 3	10	6	5	3
P0127.060-020-B4	6	20	M 3	10	6	5	3
P0127.060-025-B4	6	25	M 3	10	6	5	3
P0127.060-030-B4	6	30	M 3	10	6	5	3
P0127.060-040-B4	6	40	M 3	10	6	5	3
P0127.060-050-B4	6	50	M 3	10	6	5	3
P0127.080-016-B4	8	16	M 3,5	12	11	6	4
P0127.080-020-B4	8	20	M 3,5	12	11	6	4
P0127.080-025-B4	8	25	M 3,5	12	11	6	4
P0127.080-030-B4	8	30	M 3,5	12	11	6	4
P0127.080-040-B4	8	40	M 3,5	12	11	6	4
P0127.080-050-B4	8	50	M 3,5	12	11	6	4
P0127.100-016-B4	10	16	M 4	14	12	7	5
P0127.100-020-B4	10	20	M 4	14	12	7	5
P0127.100-025-B4	10	25	M 4	14	12	7	5
P0127.100-030-B4	10	30	M 4	14	12	7	5
P0127.100-040-B4	10	40	M 4	14	12	7	5



Shoulder Screws

Shoulder Nuts - Cap Head hex drive - 316 stainless - blackened



Order No.	d_1 +0.000 -0.025	l_1 +0.05 -0.00	d_2	d_3	l_2	h_1	A/F
P0127.120-025-B4	12	25	M 5	20	16	8	6
P0127.120-030-B4	12	30	M 5	20	16	8	6
P0127.120-040-B4	12	40	M 5	20	16	8	6
P0127.120-050-B4	12	50	M 5	20	16	8	6

SHOULDER SCREWS