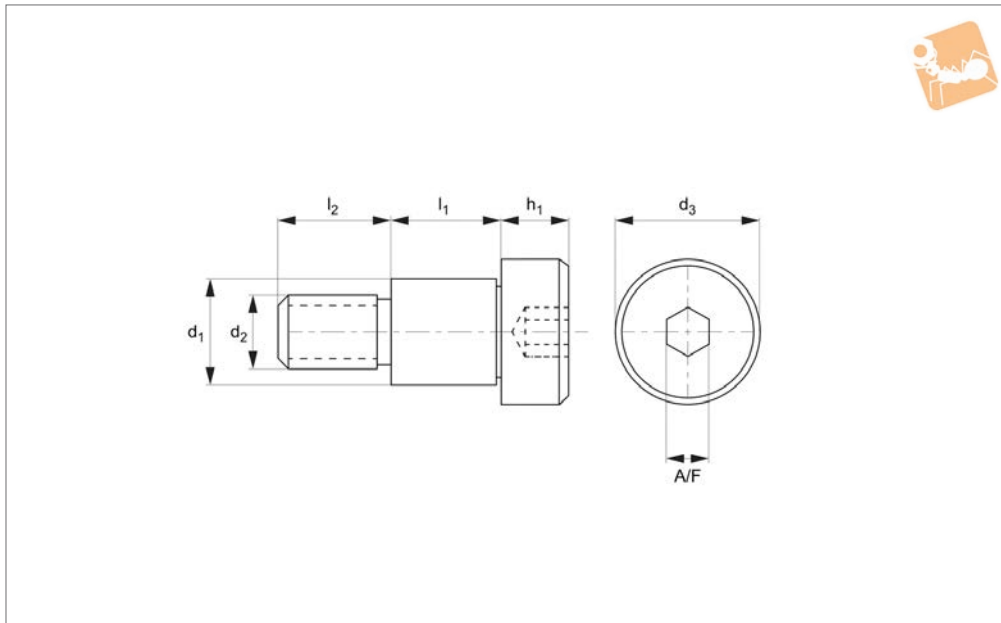




Shoulder Screws - Cap Head

hex drive - 316 stainless, blackened

Shoulder Screws



P0130.B4

SHOULDER SCREWS

Material

Stainless steel (AISI 316, 1.440) black oxide coating.
Tensile strength 480 N/mm².
Proof stress min. 200 N/mm², austenitic

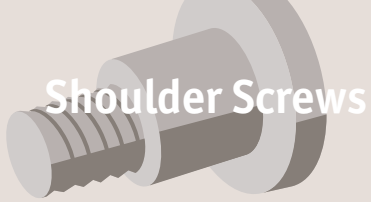
stainless steel.

Technical Notes

Highly resistant to corrosion (including from salt water).

Shim washers can be used to reduce shoulder length if required. It is non-magnetic.

Order No.	d ₁ +0 -0.025	l ₁ +0.05 -0.0	d ₂	d ₃	l ₂	h ₁	A/F
P0130.030-003-B4	3	3	M 2	5	4	2	1.5
P0130.030-004-B4	3	4	M 2	5	4	2	1.5
P0130.030-005-B4	3	5	M 2	5	4	2	1.5
P0130.030-006-B4	3	6	M 2	5	4	2	1.5
P0130.030-007-B4	3	7	M 2	5	4	2	1.5
P0130.030-008-B4	3	8	M 2	5	4	2	1.5
P0130.030-010-B4	3	10	M 2	5	4	2	1.5
P0130.040-004-B4	4	4	M 3	6	4	3	2.0
P0130.040-005-B4	4	5	M 3	6	4	3	2.0
P0130.040-006-B4	4	6	M 3	6	4	3	2.0
P0130.040-007-B4	4	7	M 3	6	4	3	2.0
P0130.040-008-B4	4	8	M 3	6	4	3	2.0
P0130.040-010-B4	4	10	M 3	6	4	3	2.0
P0130.040-012-B4	4	12	M 3	6	4	3	2.0
P0130.040-014-B4	4	14	M 3	6	4	3	2.0
P0130.040-016-B4	4	16	M 3	6	4	3	2.0
P0130.040-018-B4	4	18	M 3	6	4	3	2.0
P0130.040-020-B4	4	20	M 3	6	4	3	2.0
P0130.050-005-B4	5	5	M 4	8	5	4	2.5
P0130.050-006-B4	5	6	M 4	8	5	4	2.5
P0130.050-007-B4	5	7	M 4	8	5	4	2.5
P0130.050-008-B4	5	8	M 4	8	5	4	2.5
P0130.050-010-B4	5	10	M 4	8	5	4	2.5
P0130.050-012-B4	5	12	M 4	8	5	4	2.5
P0130.050-014-B4	5	14	M 4	8	5	4	2.5
P0130.050-016-B4	5	16	M 4	8	5	4	2.5
P0130.050-018-B4	5	18	M 4	8	5	4	2.5
P0130.050-020-B4	5	20	M 4	8	5	4	2.5
P0130.050-025-B4	5	25	M 4	8	5	4	2.5
P0130.050-030-B4	5	30	M 4	8	5	4	2.5
P0130.060-006-B4	6	6	M 5	10	6	5	3.0
P0130.060-007-B4	6	7	M 5	10	6	5	3.0
P0130.060-008-B4	6	8	M 5	10	6	5	3.0



Shoulder Screws

Shoulder Screws - Cap Head hex drive - 316 stainless, blackened



SHOULDER SCREWS

Order No.	d_1 +0 -0.025	l_1 +0.05 -0.0	d_2	d_3	l_2	h_1	A/F
P0130.060-010-B4	6	10	M 5	10	6	5	3.0
P0130.060-012-B4	6	12	M 5	10	6	5	3.0
P0130.060-014-B4	6	14	M 5	10	6	5	3.0
P0130.060-016-B4	6	16	M 5	10	6	5	3.0
P0130.060-018-B4	6	18	M 5	10	6	5	3.0
P0130.060-020-B4	6	20	M 5	10	6	5	3.0
P0130.060-025-B4	6	25	M 5	10	6	5	3.0
P0130.060-030-B4	6	30	M 5	10	6	5	3.0
P0130.060-035-B4	6	35	M 5	10	6	5	3.0
P0130.060-040-B4	6	40	M 5	10	6	5	3.0
P0130.060-045-B4	6	45	M 5	10	6	5	3.0
P0130.060-050-B4	6	50	M 5	10	6	5	3.0
P0130.080-008-B4	8	8	M 6	12	11	6	4.0
P0130.080-010-B4	8	10	M 6	12	11	6	4.0
P0130.080-012-B4	8	12	M 6	12	11	6	4.0
P0130.080-014-B4	8	14	M 6	12	11	6	4.0
P0130.080-016-B4	8	16	M 6	12	11	6	4.0
P0130.080-018-B4	8	18	M 6	12	11	6	4.0
P0130.080-020-B4	8	20	M 6	12	11	6	4.0
P0130.080-025-B4	8	25	M 6	12	11	6	4.0
P0130.080-030-B4	8	30	M 6	12	11	6	4.0
P0130.080-035-B4	8	35	M 6	12	11	6	4.0
P0130.080-040-B4	8	40	M 6	12	11	6	4.0
P0130.080-045-B4	8	45	M 6	12	11	6	4.0
P0130.080-050-B4	8	50	M 6	12	11	6	4.0
P0130.100-008-B4	10	8	M 8	14	12	7	5.0
P0130.100-010-B4	10	10	M 8	14	12	7	5.0
P0130.100-012-B4	10	12	M 8	14	12	7	5.0
P0130.100-014-B4	10	14	M 8	14	12	7	5.0
P0130.100-016-B4	10	16	M 8	14	12	7	5.0
P0130.100-020-B4	10	20	M 8	14	12	7	5.0
P0130.100-025-B4	10	25	M 8	14	12	7	5.0
P0130.100-030-B4	10	30	M 8	14	12	7	5.0
P0130.100-035-B4	10	35	M 8	14	12	7	5.0
P0130.100-040-B4	10	40	M 8	14	12	7	5.0
P0130.100-045-B4	10	45	M 8	14	12	7	5.0
P0130.100-050-B4	10	50	M 8	14	12	7	5.0
P0130.100-055-B4	10	55	M 8	14	12	7	5.0
P0130.100-060-B4	10	60	M 8	14	12	7	5.0
P0130.100-065-B4	10	65	M 8	14	12	7	5.0
P0130.100-070-B4	10	70	M 8	14	12	7	5.0
P0130.120-008-B4	12	8	M 10	20	16	8	6.0
P0130.120-010-B4	12	10	M 10	20	16	8	6.0
P0130.120-012-B4	12	12	M 10	20	16	8	6.0
P0130.120-014-B4	12	14	M 10	20	16	8	6.0
P0130.120-016-B4	12	16	M 10	20	16	8	6.0
P0130.120-018-B4	12	18	M 10	20	16	8	6.0
P0130.120-020-B4	12	20	M 10	20	16	8	6.0
P0130.120-025-B4	12	25	M 10	20	16	8	6.0
P0130.120-030-B4	12	30	M 10	20	16	8	6.0
P0130.120-035-B4	12	35	M 10	20	16	8	6.0
P0130.120-040-B4	12	40	M 10	20	16	8	6.0
P0130.120-045-B4	12	45	M 10	20	16	8	6.0
P0130.120-050-B4	12	50	M 10	20	16	8	6.0
P0130.120-055-B4	12	55	M 10	20	16	8	6.0
P0130.120-060-B4	12	60	M 10	20	16	8	6.0
P0130.120-065-B4	12	65	M 10	20	16	8	6.0
P0130.120-070-B4	12	70	M 10	20	16	8	6.0
P0130.160-025-B4	16	25	M 12	24	18	11	8.0
P0130.160-030-B4	16	30	M 12	24	18	11	8.0
P0130.160-035-B4	16	35	M 12	24	18	11	8.0
P0130.160-040-B4	16	40	M 12	24	18	11	8.0
P0130.160-045-B4	16	45	M 12	24	18	11	8.0
P0130.160-050-B4	16	50	M 12	24	18	11	8.0
P0130.160-055-B4	16	55	M 12	24	18	11	8.0
P0130.160-060-B4	16	60	M 12	24	18	11	8.0
P0130.160-065-B4	16	65	M 12	24	18	11	8.0
P0130.160-070-B4	16	70	M 12	24	18	11	8.0



Shoulder Screws - Cap Head

hex drive - 316 stainless, blackened

Shoulder Screws



Order No.	d_1 +0 -0.025	l_1 +0.05 -0.0	d_2	d_3	l_2	h_1	A/F
P0130.160-075-B4	16	75	M 12	24	18	11	8.0
P0130.160-080-B4	16	80	M 12	24	18	11	8.0
P0130.160-090-B4	16	90	M 12	24	18	11	8.0
P0130.160-100-B4	16	100	M 12	24	18	11	8.0
P0130.200-030-B4	20	30	M 16	30	22	14	10.0
P0130.200-035-B4	20	35	M 16	30	22	14	10.0
P0130.200-040-B4	20	40	M 16	30	22	14	10.0
P0130.200-045-B4	20	45	M 16	30	22	14	10.0
P0130.200-050-B4	20	50	M 16	30	22	14	10.0

SHOULDER SCREWS