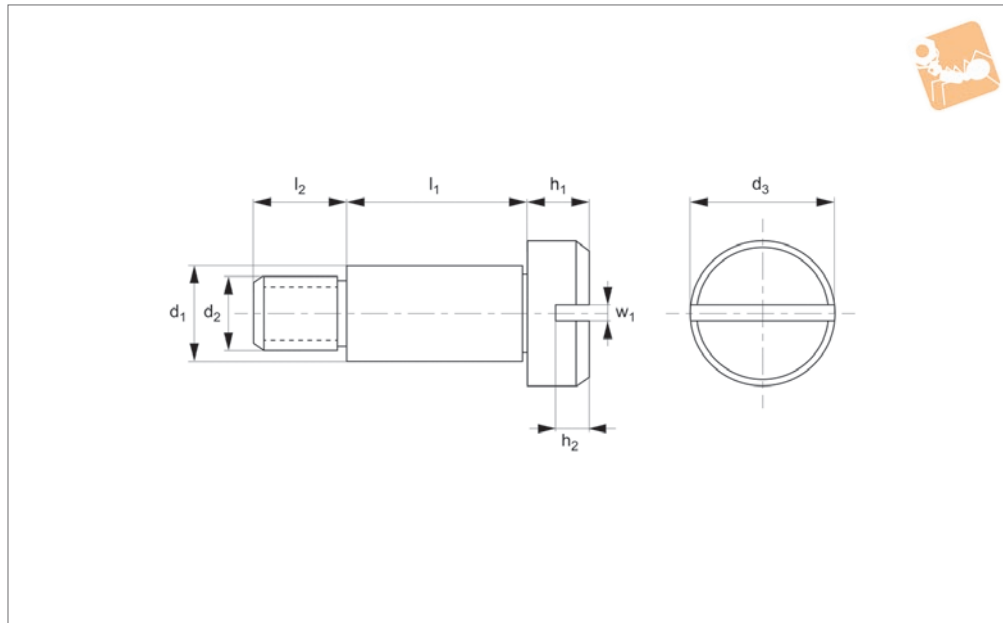




# Inch Shoulder Screws - Cap Head

slot drive - series 303 stainless

## Shoulder Screws



**P0132.i**

SHOULDER SCREWS

### Material

Stainless steel (AISI 303, 1.4305).  
Tensile strength 550 N/mm<sup>2</sup>. Proof stress min. 190 N/mm<sup>2</sup>, austenitic stainless steel.

stance to corrosion and is non-magnetic. These 303 shoulder screws are less expensive than the 416 stainless steel grade versions (see part no. P0133), which are stronger and harder, but are magnetic.

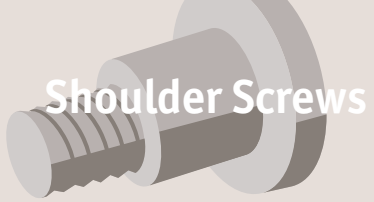
### Tips

Typically used for food and pharmaceutical applications. For Ø16 stainless steel shoulder screws see part no. P0137.

### Technical Notes

303 stainless steel provides good resi-

Order No.	$d_1$ +0,-0.001	$l_1$ +0.002 -0.000	$d_2$	$d_3$	$l_2$	$h_1$
P0132.125-012	(1/8") 0,1245	(1/8") 0,1255	#4-40 UNC	1/4"	5/32"	1/8"
P0132.187-012	(3/16") 0,1870	(1/8") 0,1255	#8-32 UNC	5/16"	3/16"	5/32"
P0132.187-018	(3/16") 0,1870	(3/16") 0,1880	#8-32 UNC	5/16"	3/16"	5/32"
P0132.187-025	(3/16") 0,1870	(1/4") 0,2505	#8-32 UNC	5/16"	3/16"	5/32"
P0132.187-031	(3/16") 0,1870	(5/16") 0,3130	#8-32 UNC	5/16"	3/16"	5/32"
P0132.187-037	(3/16") 0,1870	(3/8") 0,3755	#8-32 UNC	5/16"	3/16"	5/32"
P0132.187-050	(3/16") 0,1870	(1/2") 0,5005	#8-32 UNC	5/16"	3/16"	5/32"
P0132.187-062	(3/16") 0,1870	(5/8") 0,6255	#8-32 UNC	5/16"	3/16"	5/32"
P0132.187-075	(3/16") 0,1870	(3/4") 0,7505	#8-32 UNC	5/16"	3/16"	5/32"
P0132.187-100	(3/16") 0,1870	(1") 1,0005	#8-32 UNC	5/16"	3/16"	5/32"
P0132.187-125	(3/16") 0,1870	(1 1/4") 1,2505	#8-32 UNC	5/16"	3/16"	5/32"
P0132.187-150	(3/16") 0,1870	(1 1/2") 1,5005	#8-32 UNC	5/16"	3/16"	5/32"
P0132.250-012	(1/4") 0,2495	(1/8") 0,1255	#10-32 UNF	3/8"	1/4"	3/16"
P0132.250-018	(1/4") 0,2495	(3/16") 0,1880	#10-32 UNF	3/8"	1/4"	3/16"
P0132.250-025	(1/4") 0,2495	(1/4") 0,2505	#10-32 UNF	3/8"	1/4"	3/16"
P0132.250-031	(1/4") 0,2495	(5/16") 0,3130	#10-32 UNF	3/8"	1/4"	3/16"
P0132.250-037	(1/4") 0,2495	(3/8") 0,3755	#10-32 UNF	3/8"	1/4"	3/16"
P0132.250-050	(1/4") 0,2495	(1/2") 0,5005	#10-32 UNF	3/8"	1/4"	3/16"
P0132.250-062	(1/4") 0,2495	(5/8") 0,6255	#10-32 UNF	3/8"	1/4"	3/16"
P0132.250-075	(1/4") 0,2495	(3/4") 0,7505	#10-32 UNF	3/8"	1/4"	3/16"
P0132.250-100	(1/4") 0,2495	(1") 1,0005	#10-32 UNF	3/8"	1/4"	3/16"
P0132.250-125	(1/4") 0,2495	(1 1/4") 1,2505	#10-32 UNF	3/8"	1/4"	3/16"
P0132.250-150	(1/4") 0,2495	(1 1/2") 1,5005	#10-32 UNF	3/8"	1/4"	3/16"
P0132.312-025	(5/16") 0,3120	(1/4") 0,2505	1/4-20 UNC	1/2"	7/16"	7/32"
P0132.312-031	(5/16") 0,3120	(5/16") 0,3130	1/4-20 UNC	1/2"	7/16"	7/32"
P0132.312-037	(5/16") 0,3120	(3/8") 0,3755	1/4-20 UNC	1/2"	7/16"	7/32"
P0132.312-050	(5/16") 0,3120	(1/2") 0,5005	1/4-20 UNC	1/2"	7/16"	7/32"
P0132.312-062	(5/16") 0,3120	(5/8") 0,6255	1/4-20 UNC	1/2"	7/16"	7/32"
P0132.312-075	(5/16") 0,3120	(3/4") 0,7505	1/4-20 UNC	1/2"	7/16"	7/32"
P0132.374-031	(3/8") 0,3745	(5/16") 0,3130	1/4-20 UNC	1/2"	7/16"	7/32"



# Shoulder Screws

## Inch Shoulder Screws - Cap Head slot drive - series 303 stainless



SHOULDER SCREWS

Order No.	$d_1$ +0,-0.001	$l_1$ +0.002 -0.000	$d_2$	$d_3$	$l_2$	$h_1$
P0132.374-037	(3/8") 0,3745	(3/8") 0,3755	1/4-20 UNC	1/2"	7/16"	7/32"
P0132.374-050	(3/8") 0,3745	(1/2") 0,5005	1/4-20 UNC	1/2"	7/16"	7/32"
P0132.374-062	(3/8") 0,3745	(5/8") 0,6255	1/4-20 UNC	1/2"	7/16"	7/32"
P0132.375-031	(3/8") 0,3745	(5/16") 0,3130	5/16-18 UNC	9/16"	1/2"	1/4"
P0132.375-037	(3/8") 0,3745	(3/8") 0,3755	5/16-18 UNC	9/16"	1/2"	1/4"
P0132.375-050	(3/8") 0,3745	(1/2") 0,5005	5/16-18 UNC	9/16"	1/2"	1/4"
P0132.375-062	(3/8") 0,3745	(5/8") 0,6255	5/16-18 UNC	9/16"	1/2"	1/4"
P0132.500-050	(1/2") 0,4995	(1/2") 0,5005	3/8-16 UNC	3/4"	5/8"	5/16"
P0132.500-062	(1/2") 0,4995	(5/8") 0,6255	3/8-16 UNC	3/4"	5/8"	5/16"
P0132.500-075	(1/2") 0,4995	(3/4") 0,7505	3/8-16 UNC	3/4"	5/8"	5/16"
P0132.500-100	(1/2") 0,4995	(1") 1,0005	3/8-16 UNC	3/4"	5/8"	5/16"