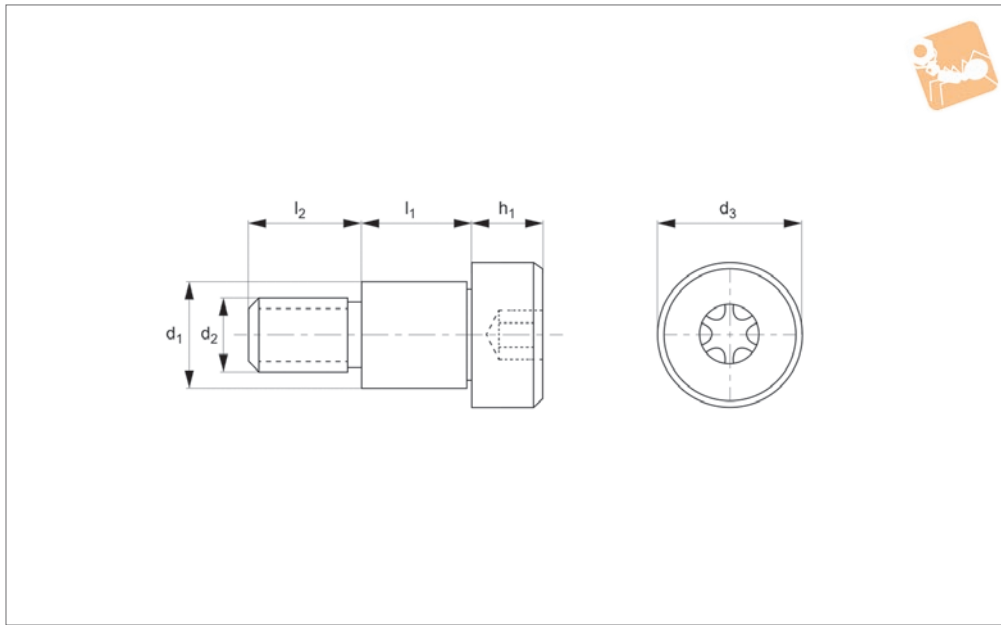




Shoulder Screws - Cap Head

TX drive - 316 stainless

Shoulder Screws



P0145.A4

SHOULDER SCREWS

Material

Stainless steel (AISI 316, 1.440).
316 series tensile strength 480 N/mm²,
proof stress min. 200 N/mm², austenitic

stainless steel.

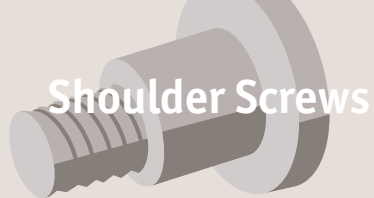
Technical Notes

Highly resistant to corrosion (including

from salt water).

Shim washers can be used to reduce
shoulder length if required. It is non-
magnetic.

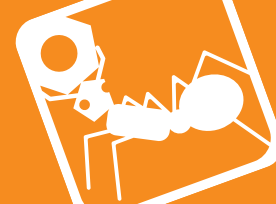
Order No.	d ₁ +0 -0.025	l ₁ +0.05 -0.0	d ₂	d ₃	l ₂	h ₁	TX size
P0145.040-002-A4	4	2	M 3	6	4	3	TX-10
P0145.040-003-A4	4	3	M 3	6	4	3	TX-10
P0145.040-004-A4	4	4	M 3	6	4	3	TX-10
P0145.040-005-A4	4	5	M 3	6	4	3	TX-10
P0145.040-006-A4	4	6	M 3	6	4	3	TX-10
P0145.040-007-A4	4	7	M 3	6	4	3	TX-10
P0145.040-008-A4	4	8	M 3	6	4	3	TX-10
P0145.040-010-A4	4	10	M 3	6	4	3	TX-10
P0145.040-012-A4	4	12	M 3	6	4	3	TX-10
P0145.040-014-A4	4	14	M 3	6	4	3	TX-10
P0145.040-016-A4	4	16	M 3	6	4	3	TX-10
P0145.040-018-A4	4	18	M 3	6	4	3	TX-10
P0145.040-020-A4	4	20	M 3	6	4	3	TX-10
P0145.040-025-A4	4	25	M 3	6	4	3	TX-10
P0145.040-030-A4	4	30	M 3	6	4	3	TX-10
P0145.040-035-A4	4	35	M 3	6	4	3	TX-10
P0145.040-040-A4	4	40	M 3	6	4	3	TX-10
P0145.040-045-A4	4	45	M 3	6	4	3	TX-10
P0145.040-050-A4	4	50	M 3	6	4	3	TX-10
P0145.050-002-A4	5	2	M 4	8	5	4	TX-20
P0145.050-003-A4	5	3	M 4	8	5	4	TX-20
P0145.050-004-A4	5	4	M 4	8	5	4	TX-20
P0145.050-005-A4	5	5	M 4	8	5	4	TX-20
P0145.050-006-A4	5	6	M 4	8	5	4	TX-20
P0145.050-007-A4	5	7	M 4	8	5	4	TX-20
P0145.050-008-A4	5	8	M 4	8	5	4	TX-20
P0145.050-010-A4	5	10	M 4	8	5	4	TX-20
P0145.050-012-A4	5	12	M 4	8	5	4	TX-20
P0145.050-014-A4	5	14	M 4	8	5	4	TX-20
P0145.050-016-A4	5	16	M 4	8	5	4	TX-20
P0145.050-018-A4	5	18	M 4	8	5	4	TX-20
P0145.050-020-A4	5	20	M 4	8	5	4	TX-20
P0145.050-025-A4	5	25	M 4	8	5	4	TX-20
P0145.050-030-A4	5	30	M 4	8	5	4	TX-20



Shoulder Screws

Shoulder Screws - Cap Head

TX drive - 316 stainless



SHOULDER SCREWS

Order No.	d ₁ +0 -0.025	l ₁ +0.05 -0.0	d ₂	d ₃	l ₂	h ₁	TX size
P0145.050-035-A4	5	35	M 4	8	5	4	TX-20
P0145.050-040-A4	5	40	M 4	8	5	4	TX-20
P0145.050-045-A4	5	45	M 4	8	5	4	TX-20
P0145.050-050-A4	5	50	M 4	8	5	4	TX-20
P0145.060-002-A4	6	2	M 5	10	6	5	TX-25
P0145.060-003-A4	6	3	M 5	10	6	5	TX-25
P0145.060-004-A4	6	4	M 5	10	6	5	TX-25
P0145.060-005-A4	6	5	M 5	10	6	5	TX-25
P0145.060-006-A4	6	6	M 5	10	6	5	TX-25
P0145.060-007-A4	6	7	M 5	10	6	5	TX-25
P0145.060-008-A4	6	8	M 5	10	6	5	TX-25
P0145.060-010-A4	6	10	M 5	10	6	5	TX-25
P0145.060-012-A4	6	12	M 5	10	6	5	TX-25
P0145.060-014-A4	6	14	M 5	10	6	5	TX-25
P0145.060-016-A4	6	16	M 5	10	6	5	TX-25
P0145.060-018-A4	6	18	M 5	10	6	5	TX-25
P0145.060-020-A4	6	20	M 5	10	6	5	TX-25
P0145.060-025-A4	6	25	M 5	10	6	5	TX-25
P0145.060-030-A4	6	30	M 5	10	6	5	TX-25
P0145.060-035-A4	6	35	M 5	10	6	5	TX-25
P0145.060-040-A4	6	40	M 5	10	6	5	TX-25
P0145.060-045-A4	6	45	M 5	10	6	5	TX-25
P0145.060-050-A4	6	50	M 5	10	6	5	TX-25
P0145.060-055-A4	6	55	M 5	10	6	5	TX-25
P0145.060-060-A4	6	60	M 5	10	6	5	TX-25
P0145.060-070-A4	6	70	M 5	10	6	5	TX-25
P0145.060-080-A4	6	80	M 5	10	6	5	TX-25
P0145.060-090-A4	6	90	M 5	10	6	5	TX-25
P0145.060-100-A4	6	100	M 5	10	6	5	TX-25
P0145.080-004-A4	8	4	M 6	12	11	6	TX-30
P0145.080-005-A4	8	5	M 6	12	11	6	TX-30
P0145.080-006-A4	8	6	M 6	12	11	6	TX-30
P0145.080-007-A4	8	7	M 6	12	11	6	TX-30
P0145.080-008-A4	8	8	M 6	12	11	6	TX-30
P0145.080-010-A4	8	10	M 6	12	11	6	TX-30
P0145.080-012-A4	8	12	M 6	12	11	6	TX-30
P0145.080-014-A4	8	14	M 6	12	11	6	TX-30
P0145.080-016-A4	8	16	M 6	12	11	6	TX-30
P0145.080-018-A4	8	18	M 6	12	11	6	TX-30
P0145.080-020-A4	8	20	M 6	12	11	6	TX-30
P0145.080-025-A4	8	25	M 6	12	11	6	TX-30
P0145.080-030-A4	8	30	M 6	12	11	6	TX-30
P0145.080-035-A4	8	35	M 6	12	11	6	TX-30
P0145.080-040-A4	8	40	M 6	12	11	6	TX-30
P0145.080-045-A4	8	45	M 6	12	11	6	TX-30
P0145.080-050-A4	8	50	M 6	12	11	6	TX-30
P0145.080-055-A4	8	55	M 6	12	11	6	TX-30
P0145.080-060-A4	8	60	M 6	12	11	6	TX-30
P0145.080-065-A4	8	65	M 6	12	11	6	TX-30
P0145.080-070-A4	8	70	M 6	12	11	6	TX-30
P0145.080-075-A4	8	75	M 6	12	11	6	TX-30
P0145.080-080-A4	8	80	M 6	12	11	6	TX-30
P0145.080-090-A4	8	90	M 6	12	11	6	TX-30
P0145.080-100-A4	8	100	M 6	12	11	6	TX-30
P0145.100-008-A4	10	8	M 8	14	12	7	TX-45
P0145.100-010-A4	10	10	M 8	14	12	7	TX-45
P0145.100-012-A4	10	12	M 8	14	12	7	TX-45
P0145.100-014-A4	10	14	M 8	14	12	7	TX-45
P0145.100-016-A4	10	16	M 8	14	12	7	TX-45
P0145.100-018-A4	10	18	M 8	14	12	7	TX-45
P0145.100-020-A4	10	20	M 8	14	12	7	TX-45
P0145.100-025-A4	10	25	M 8	14	12	7	TX-45
P0145.100-030-A4	10	30	M 8	14	12	7	TX-45
P0145.100-035-A4	10	35	M 8	14	12	7	TX-45
P0145.100-040-A4	10	40	M 8	14	12	7	TX-45
P0145.100-045-A4	10	45	M 8	14	12	7	TX-45
P0145.100-050-A4	10	50	M 8	14	12	7	TX-45
P0145.100-055-A4	10	55	M 8	14	12	7	TX-45



Shoulder Screws - Cap Head

TX drive - 316 stainless

Shoulder Screws



Order No.	d ₁ +0 -0.025	l ₁ +0.05 -0.0	d ₂	d ₃	l ₂	h ₁	TX size
P0145.100-060-A4	10	60	M 8	14	12	7	TX-45
P0145.100-065-A4	10	65	M 8	14	12	7	TX-45
P0145.100-070-A4	10	70	M 8	14	12	7	TX-45
P0145.100-080-A4	10	80	M 8	14	12	7	TX-45
P0145.100-090-A4	10	90	M 8	14	12	7	TX-45
P0145.100-100-A4	10	100	M 8	14	12	7	TX-45
P0145.120-008-A4	12	8	M10	20	16	8	TX-50
P0145.120-010-A4	12	10	M10	20	16	8	TX-50
P0145.120-012-A4	12	12	M10	20	16	8	TX-50
P0145.120-014-A4	12	14	M10	20	16	8	TX-50
P0145.120-016-A4	12	16	M10	20	16	8	TX-50
P0145.120-018-A4	12	18	M10	20	16	8	TX-50
P0145.120-020-A4	12	20	M10	20	16	8	TX-50
P0145.120-025-A4	12	25	M10	20	16	8	TX-50
P0145.120-030-A4	12	30	M10	20	16	8	TX-50
P0145.120-035-A4	12	35	M10	20	16	8	TX-50
P0145.120-040-A4	12	40	M10	20	16	8	TX-50
P0145.120-045-A4	12	45	M10	20	16	8	TX-50
P0145.120-050-A4	12	50	M10	20	16	8	TX-50
P0145.120-055-A4	12	55	M10	20	16	8	TX-50
P0145.120-060-A4	12	60	M10	20	16	8	TX-50
P0145.120-065-A4	12	65	M10	20	16	8	TX-50
P0145.120-070-A4	12	70	M10	20	16	8	TX-50
P0145.120-075-A4	12	75	M10	20	16	8	TX-50
P0145.120-080-A4	12	80	M10	20	16	8	TX-50
P0145.120-090-A4	12	90	M10	20	16	8	TX-50
P0145.120-100-A4	12	100	M10	20	16	8	TX-50
P0145.160-025-A4	16	25	M12	24	18	11	TX-60
P0145.160-030-A4	16	30	M12	24	18	11	TX-60
P0145.160-035-A4	16	35	M12	24	18	11	TX-60
P0145.160-040-A4	16	40	M12	24	18	11	TX-60
P0145.160-045-A4	16	45	M12	24	18	11	TX-60
P0145.160-050-A4	16	50	M12	24	18	11	TX-60
P0145.160-055-A4	16	55	M12	24	18	11	TX-60
P0145.160-060-A4	16	60	M12	24	18	11	TX-60
P0145.160-065-A4	16	65	M12	24	18	11	TX-60
P0145.160-070-A4	16	70	M12	24	18	11	TX-60
P0145.160-075-A4	16	75	M12	24	18	11	TX-60
P0145.160-080-A4	16	80	M12	24	18	11	TX-60
P0145.160-090-A4	16	90	M12	24	18	11	TX-60
P0145.160-100-A4	16	100	M12	24	18	11	TX-60
P0145.200-030-A4	20	30	M16	30	22	14	TX-70
P0145.200-035-A4	20	35	M16	30	22	14	TX-70
P0145.200-040-A4	20	40	M16	30	22	14	TX-70
P0145.200-045-A4	20	45	M16	30	22	14	TX-70
P0145.200-050-A4	20	50	M16	30	22	14	TX-70
P0145.200-055-A4	20	55	M16	30	22	14	TX-70
P0145.200-060-A4	20	60	M16	30	22	14	TX-70
P0145.200-065-A4	20	65	M16	30	22	14	TX-70
P0145.200-070-A4	20	70	M16	30	22	14	TX-70
P0145.200-075-A4	20	75	M16	30	22	14	TX-70
P0145.200-080-A4	20	80	M16	30	22	14	TX-70
P0145.200-090-A4	20	90	M16	30	22	14	TX-70
P0145.200-100-A4	20	100	M16	30	22	14	TX-70

SHOULDER SCREWS