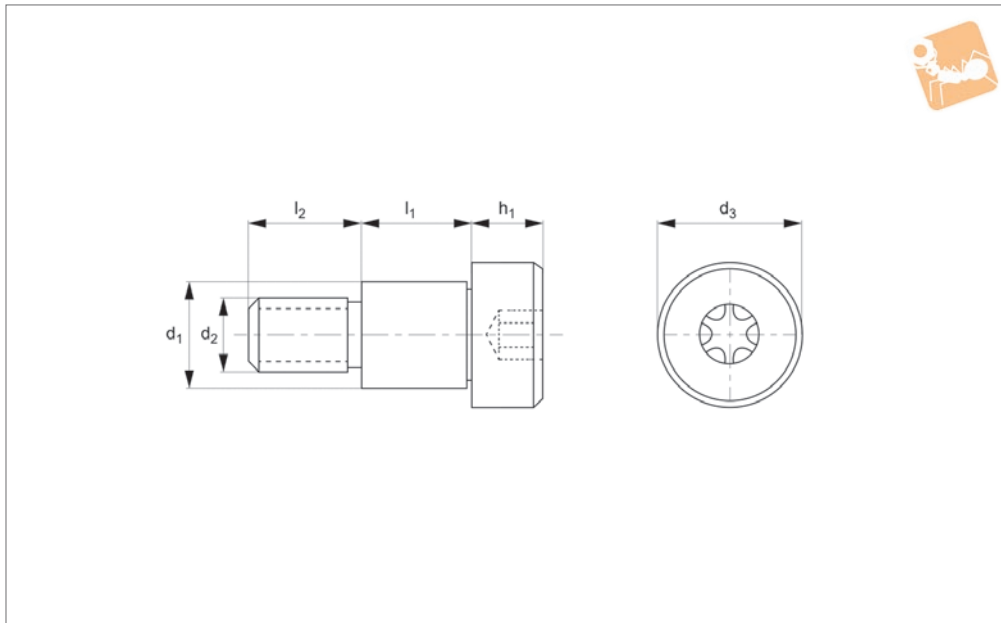




# Shoulder Screws - Cap Head

TX drive - 303 stainless - blackened

## Shoulder Screws



**P0145.B2**

SHOULDER SCREWS

### Material

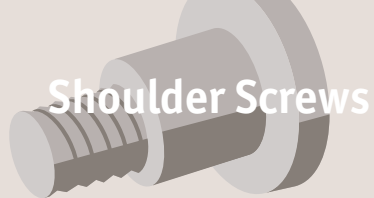
Stainless steel (AISI 303, 1.4305) black oxide coating.  
Tensile strength 550 N/mm<sup>2</sup>.

Proof stress min. 190 N/mm<sup>2</sup>, austenitic stainless steel.

### Technical Notes

303 series stainless steel provides good resistance to corrosion. It is mildly magnetic.

Order No.	d <sub>1</sub> +0 -0.025	l <sub>1</sub> +0.05 -0.0	d <sub>2</sub>	d <sub>3</sub>	l <sub>2</sub>	h <sub>1</sub>	TX size
P0145.040-002-B2	4	2	M 3	6	4	3	TX-10
P0145.040-003-B2	4	3	M 3	6	4	3	TX-10
P0145.040-004-B2	4	4	M 3	6	4	3	TX-10
P0145.040-005-B2	4	5	M 3	6	4	3	TX-10
P0145.040-006-B2	4	6	M 3	6	4	3	TX-10
P0145.040-007-B2	4	7	M 3	6	4	3	TX-10
P0145.040-008-B2	4	8	M 3	6	4	3	TX-10
P0145.040-010-B2	4	10	M 3	6	4	3	TX-10
P0145.040-012-B2	4	12	M 3	6	4	3	TX-10
P0145.040-014-B2	4	14	M 3	6	4	3	TX-10
P0145.040-016-B2	4	16	M 3	6	4	3	TX-10
P0145.040-018-B2	4	18	M 3	6	4	3	TX-10
P0145.040-020-B2	4	20	M 3	6	4	3	TX-10
P0145.040-025-B2	4	25	M 3	6	4	3	TX-10
P0145.040-030-B2	4	30	M 3	6	4	3	TX-10
P0145.040-035-B2	4	35	M 3	6	4	3	TX-10
P0145.040-040-B2	4	40	M 3	6	4	3	TX-10
P0145.040-045-B2	4	45	M 3	6	4	3	TX-10
P0145.040-050-B2	4	50	M 3	6	4	3	TX-10
P0145.050-002-B2	5	2	M 4	8	5	4	TX-20
P0145.050-003-B2	5	3	M 4	8	5	4	TX-20
P0145.050-004-B2	5	4	M 4	8	5	4	TX-20
P0145.050-005-B2	5	5	M 4	8	5	4	TX-20
P0145.050-006-B2	5	6	M 4	8	5	4	TX-20
P0145.050-007-B2	5	7	M 4	8	5	4	TX-20
P0145.050-008-B2	5	8	M 4	8	5	4	TX-20
P0145.050-010-B2	5	10	M 4	8	5	4	TX-20
P0145.050-012-B2	5	12	M 4	8	5	4	TX-20
P0145.050-014-B2	5	14	M 4	8	5	4	TX-20
P0145.050-016-B2	5	16	M 4	8	5	4	TX-20
P0145.050-018-B2	5	18	M 4	8	5	4	TX-20
P0145.050-020-B2	5	20	M 4	8	5	4	TX-20
P0145.050-025-B2	5	25	M 4	8	5	4	TX-20
P0145.050-030-B2	5	30	M 4	8	5	4	TX-20



# Shoulder Screws

## Shoulder Screws - Cap Head

TX drive - 303 stainless - blackened



SHOULDER SCREWS

Order No.	d <sub>1</sub> +0 -0.025	l <sub>1</sub> +0.05 -0.0	d <sub>2</sub>	d <sub>3</sub>	l <sub>2</sub>	h <sub>1</sub>	TX size
P0145.050-035-B2	5	35	M 4	8	5	4	TX-20
P0145.050-040-B2	5	40	M 4	8	5	4	TX-20
P0145.050-045-B2	5	45	M 4	8	5	4	TX-20
P0145.050-050-B2	5	50	M 4	8	5	4	TX-20
P0145.060-002-B2	6	2	M 5	10	6	5	TX-25
P0145.060-003-B2	6	3	M 5	10	6	5	TX-25
P0145.060-004-B2	6	4	M 5	10	6	5	TX-25
P0145.060-005-B2	6	5	M 5	10	6	5	TX-25
P0145.060-006-B2	6	6	M 5	10	6	5	TX-25
P0145.060-007-B2	6	7	M 5	10	6	5	TX-25
P0145.060-008-B2	6	8	M 5	10	6	5	TX-25
P0145.060-010-B2	6	10	M 5	10	6	5	TX-25
P0145.060-012-B2	6	12	M 5	10	6	5	TX-25
P0145.060-014-B2	6	14	M 5	10	6	5	TX-25
P0145.060-016-B2	6	16	M 5	10	6	5	TX-25
P0145.060-018-B2	6	18	M 5	10	6	5	TX-25
P0145.060-020-B2	6	20	M 5	10	6	5	TX-25
P0145.060-025-B2	6	25	M 5	10	6	5	TX-25
P0145.060-030-B2	6	30	M 5	10	6	5	TX-25
P0145.060-035-B2	6	35	M 5	10	6	5	TX-25
P0145.060-040-B2	6	40	M 5	10	6	5	TX-25
P0145.060-045-B2	6	45	M 5	10	6	5	TX-25
P0145.060-050-B2	6	50	M 5	10	6	5	TX-25
P0145.060-055-B2	6	55	M 5	10	6	5	TX-25
P0145.060-060-B2	6	60	M 5	10	6	5	TX-25
P0145.060-070-B2	6	70	M 5	10	6	5	TX-25
P0145.060-080-B2	6	80	M 5	10	6	5	TX-25
P0145.060-090-B2	6	90	M 5	10	6	5	TX-25
P0145.060-100-B2	6	100	M 5	10	6	5	TX-25
P0145.080-004-B2	8	4	M 6	12	11	6	TX-30
P0145.080-005-B2	8	5	M 6	12	11	6	TX-30
P0145.080-006-B2	8	6	M 6	12	11	6	TX-30
P0145.080-007-B2	8	7	M 6	12	11	6	TX-30
P0145.080-008-B2	8	8	M 6	12	11	6	TX-30
P0145.080-010-B2	8	10	M 6	12	11	6	TX-30
P0145.080-012-B2	8	12	M 6	12	11	6	TX-30
P0145.080-014-B2	8	14	M 6	12	11	6	TX-30
P0145.080-016-B2	8	16	M 6	12	11	6	TX-30
P0145.080-018-B2	8	18	M 6	12	11	6	TX-30
P0145.080-020-B2	8	20	M 6	12	11	6	TX-30
P0145.080-025-B2	8	25	M 6	12	11	6	TX-30
P0145.080-030-B2	8	30	M 6	12	11	6	TX-30
P0145.080-035-B2	8	35	M 6	12	11	6	TX-30
P0145.080-040-B2	8	40	M 6	12	11	6	TX-30
P0145.080-045-B2	8	45	M 6	12	11	6	TX-30
P0145.080-050-B2	8	50	M 6	12	11	6	TX-30
P0145.080-055-B2	8	55	M 6	12	11	6	TX-30
P0145.080-060-B2	8	60	M 6	12	11	6	TX-30
P0145.080-065-B2	8	65	M 6	12	11	6	TX-30
P0145.080-070-B2	8	70	M 6	12	11	6	TX-30
P0145.080-075-B2	8	75	M 6	12	11	6	TX-30
P0145.080-080-B2	8	80	M 6	12	11	6	TX-30
P0145.080-090-B2	8	90	M 6	12	11	6	TX-30
P0145.080-100-B2	8	100	M 6	12	11	6	TX-30
P0145.100-008-B2	10	8	M 8	14	12	7	TX-45
P0145.100-010-B2	10	10	M 8	14	12	7	TX-45
P0145.100-012-B2	10	12	M 8	14	12	7	TX-45
P0145.100-014-B2	10	14	M 8	14	12	7	TX-45
P0145.100-016-B2	10	16	M 8	14	12	7	TX-45
P0145.100-018-B2	10	18	M 8	14	12	7	TX-45
P0145.100-020-B2	10	20	M 8	14	12	7	TX-45
P0145.100-025-B2	10	25	M 8	14	12	7	TX-45
P0145.100-030-B2	10	30	M 8	14	12	7	TX-45
P0145.100-035-B2	10	35	M 8	14	12	7	TX-45
P0145.100-040-B2	10	40	M 8	14	12	7	TX-45
P0145.100-045-B2	10	45	M 8	14	12	7	TX-45
P0145.100-050-B2	10	50	M 8	14	12	7	TX-45
P0145.100-055-B2	10	55	M 8	14	12	7	TX-45



# Shoulder Screws - Cap Head

TX drive - 303 stainless - blackened

## Shoulder Screws



Order No.	d <sub>1</sub> +0 -0.025	l <sub>1</sub> +0.05 -0.0	d <sub>2</sub>	d <sub>3</sub>	l <sub>2</sub>	h <sub>1</sub>	TX size
P0145.100-060-B2	10	60	M 8	14	12	7	TX-45
P0145.100-065-B2	10	65	M 8	14	12	7	TX-45
P0145.100-070-B2	10	70	M 8	14	12	7	TX-45
P0145.100-080-B2	10	80	M 8	14	12	7	TX-45
P0145.100-090-B2	10	90	M 8	14	12	7	TX-45
P0145.100-100-B2	10	100	M 8	14	12	7	TX-45
P0145.120-008-B2	12	8	M10	20	16	8	TX-50
P0145.120-010-B2	12	10	M10	20	16	8	TX-50
P0145.120-012-B2	12	12	M10	20	16	8	TX-50
P0145.120-014-B2	12	14	M10	20	16	8	TX-50
P0145.120-016-B2	12	16	M10	20	16	8	TX-50
P0145.120-018-B2	12	18	M10	20	16	8	TX-50
P0145.120-020-B2	12	20	M10	20	16	8	TX-50
P0145.120-025-B2	12	25	M10	20	16	8	TX-50
P0145.120-030-B2	12	30	M10	20	16	8	TX-50
P0145.120-035-B2	12	35	M10	20	16	8	TX-50
P0145.120-040-B2	12	40	M10	20	16	8	TX-50
P0145.120-045-B2	12	45	M10	20	16	8	TX-50
P0145.120-050-B2	12	50	M10	20	16	8	TX-50
P0145.120-055-B2	12	55	M10	20	16	8	TX-50
P0145.120-060-B2	12	60	M10	20	16	8	TX-50
P0145.120-065-B2	12	65	M10	20	16	8	TX-50
P0145.120-070-B2	12	70	M10	20	16	8	TX-50
P0145.120-075-B2	12	75	M10	20	16	8	TX-50
P0145.120-080-B2	12	80	M10	20	16	8	TX-50
P0145.120-090-B2	12	90	M10	20	16	8	TX-50
P0145.120-100-B2	12	100	M10	20	16	8	TX-50
P0145.160-025-B2	16	25	M12	24	18	11	TX-60
P0145.160-030-B2	16	30	M12	24	18	11	TX-60
P0145.160-035-B2	16	35	M12	24	18	11	TX-60
P0145.160-040-B2	16	40	M12	24	18	11	TX-60
P0145.160-045-B2	16	45	M12	24	18	11	TX-60
P0145.160-050-B2	16	50	M12	24	18	11	TX-60
P0145.160-055-B2	16	55	M12	24	18	11	TX-60
P0145.160-060-B2	16	60	M12	24	18	11	TX-60
P0145.160-065-B2	16	65	M12	24	18	11	TX-60
P0145.160-070-B2	16	70	M12	24	18	11	TX-60
P0145.160-075-B2	16	75	M12	24	18	11	TX-60
P0145.160-080-B2	16	80	M12	24	18	11	TX-60
P0145.160-090-B2	16	90	M12	24	18	11	TX-60
P0145.160-100-B2	16	100	M12	24	18	11	TX-60
P0145.200-030-B2	20	30	M16	30	22	14	TX-70
P0145.200-035-B2	20	35	M16	30	22	14	TX-70
P0145.200-040-B2	20	40	M16	30	22	14	TX-70
P0145.200-045-B2	20	45	M16	30	22	14	TX-70
P0145.200-050-B2	20	50	M16	30	22	14	TX-70
P0145.200-055-B2	20	55	M16	30	22	14	TX-70
P0145.200-060-B2	20	60	M16	30	22	14	TX-70
P0145.200-065-B2	20	65	M16	30	22	14	TX-70
P0145.200-070-B2	20	70	M16	30	22	14	TX-70
P0145.200-075-B2	20	75	M16	30	22	14	TX-70
P0145.200-080-B2	20	80	M16	30	22	14	TX-70
P0145.200-090-B2	20	90	M16	30	22	14	TX-70
P0145.200-100-B2	20	100	M16	30	22	14	TX-70

SHOULDER SCREWS