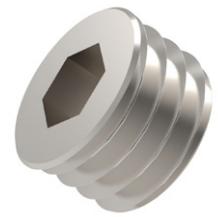




Blanking Plugs

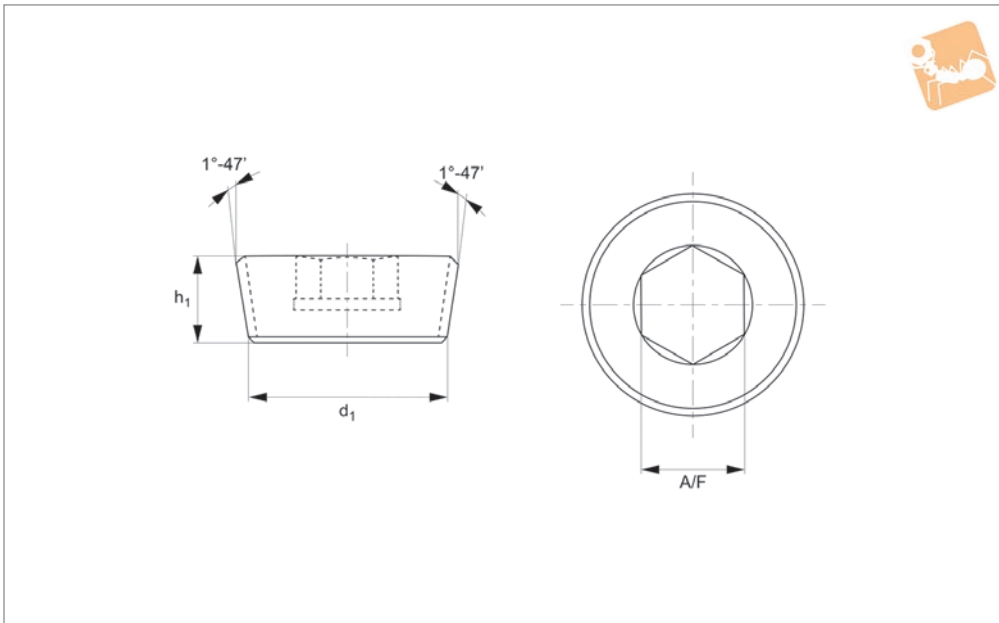
Metric & BSPT

Blanking Plugs



P0184

BLANKING PLUGS



Material

Steel (self-colour & zinc-plated), stainless steel (A2 & A4), and brass.

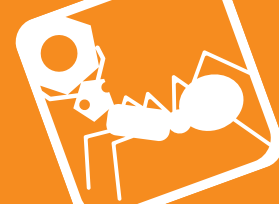
Inch threads beginning with „R“ indicate BSPT (British Standard Pipe Taper threads ISO 7).

Tightening torque is dependent on fluid, pressure, temperature, and material pairing.

Technical Notes

To DIN 906. Metric fine taper threads.

Order No.	d ₁	h ₁ tol. JS16	A/F	Material
P0184.060-100-ZP	M6 x1,0	6	3	Steel ZP
P0184.080-100-ZP	M8 x1,0	8	4	Steel ZP
P0184.100-100-ZP	M10 x1,0	8	5	Steel ZP
P0184.120-150-ZP	M12 x1,5	10	6	Steel ZP
P0184.140-150-ZP	M14 x1,5	10	7	Steel ZP
P0184.160-150-ZP	M16 x1,5	10	8	Steel ZP
P0184.180-150-ZP	M18 x1,5	10	8	Steel ZP
P0184.200-150-ZP	M20 x1,5	10	10	Steel ZP
P0184.220-150-ZP	M22 x1,5	10	10	Steel ZP
P0184.240-150-ZP	M24 x1,5	12	12	Steel ZP
P0184.260-150-ZP	M26 x1,5	12	12	Steel ZP
P0184.270-200-ZP	M27 x2,0	12	12	Steel ZP
P0184.300-150-ZP	M30 x1,5	12	17	Steel ZP
P0184.080-075-ZP	M8 x0,75	8	4	Steel ZP
P0184.080-125-ZP	M8 x1,25	8	4	Steel ZP
P0184.270-150-ZP	M27 x1,5	12	12	Steel ZP
P0184.300-200-ZP	M30 x2	12	17	Steel ZP
P0184.360-150-ZP	M36 x1,5	15	19	Steel ZP
P0184.420-150-ZP	M42x1,5	18	22	Steel ZP
P0184.520-150-ZP	M52 x1,5	20	24	Steel ZP
P0184.R1/8-ZP	R1/8"	8	5	Steel ZP
P0184.R1/4-ZP	R1/4"	10	7	Steel ZP
P0184.R3/8-ZP	R3/8"	10	8	Steel ZP
P0184.R1/2-ZP	R1/2"	10	10	Steel ZP
P0184.R5/8-ZP	R5/8"	10	10	Steel ZP
P0184.R3/4-ZP	R3/4"	12	12	Steel ZP
P0184.R1-ZP	R1"	12	17	Steel ZP
P0184.R1-1/4-ZP	R1 1/4"	18	22	Steel ZP
P0184.R1-1/2-ZP	R1 1/2"	20	24	Steel ZP
P0184.R2-ZP	R2"	22	32	Steel ZP
P0184.060-100-SC	M6 x1,0	6	3	Steel SC



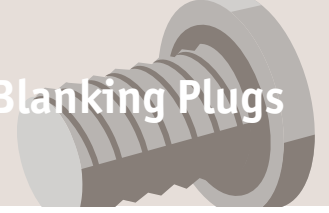
Order No.	d ₁	h ₁ tol. JS16	A/F	Material
P0184.080-100-SC	M8 x1,0	8	4	Steel SC
P0184.080-125-SC	M8 x1,25	8	4	Steel SC
P0184.080-075-SC	M8 x0,75	8	4	Steel SC
P0184.100-100-SC	M10 x1,0	8	5	Steel SC
P0184.120-100-SC	M12 x1,0	10	6	Steel SC
P0184.120-150-SC	M12 x1,5	10	6	Steel SC
P0184.140-150-SC	M14 x1,5	10	7	Steel SC
P0184.160-150-SC	M16 x1,5	10	8	Steel SC
P0184.180-150-SC	M18 x1,5	10	8	Steel SC
P0184.200-150-SC	M20 x1,5	10	10	Steel SC
P0184.220-150-SC	M22 x1,5	10	10	Steel SC
P0184.240-150-SC	M24 x1,5	12	12	Steel SC
P0184.260-150-SC	M26 x1,5	12	12	Steel SC
P0184.270-150-SC	M27 x1,5	12	12	Steel SC
P0184.270-200-SC	M27 x2,0	12	12	Steel SC
P0184.300-150-SC	M30 x1,5	12	17	Steel SC
P0184.300-200-SC	M30 x2,0	12	17	Steel SC
P0184.330-150-SC	M33 x1,5	12	17	Steel SC
P0184.330-200-SC	M33 x2,0	12	17	Steel SC
P0184.360-150-SC	M36 x1,5	15	19	Steel SC
P0184.360-200-SC	M36 x2	15	19	Steel SC
P0184.380-150-SC	M38 x1,5	15	19	Steel SC
P0184.420-200-SC	M42 x2,0	18	22	Steel SC
P0184.450-150-SC	M45 x1,5	18	22	Steel SC
P0184.480-150-SC	M48 x1,5	20	24	Steel SC
P0184.420-150-SC	M42 x1,5	18	22	Steel SC
P0184.480-200-SC	M48 x2,0	20	24	Steel SC
P0184.520-150-SC	M52 x1,5	20	24	Steel SC
P0184.520-200-SC	M52 x2	20	24	Steel SC
P0184.560-200-SC	M56 x2,0	22	32	Steel SC
P0184.600-200-SC	M60 x2,0	22	32	Steel SC
P0184.R1/8-SC	R1/8"	8	5	Steel SC
P0184.R1/4-SC	R1/4"	10	7	Steel SC
P0184.R3/8-SC	R3/8"	10	8	Steel SC
P0184.R1/2-SC	R1/2"	10	10	Steel SC
P0184.R5/8-SC	R5/8"	10	10	Steel SC
P0184.R3/4-SC	R3/4"	12	12	Steel SC
P0184.R1-SC	R1"	12	17	Steel SC
P0184.R1-1/4-SC	R1 1/4"	18	22	Steel SC
P0184.R1-1/2-SC	R1 1/2"	20	24	Steel SC
P0184.R2-SC	R2"	22	32	Steel SC
P0184.060-100-A4	M6 x1,0	6	3	A4 s/s
P0184.080-075-A4	M8 x0,75	8	4	A4 s/s
P0184.080-100-A4	M8 x1,0	8	4	A4 s/s
P0184.080-125-A4	M8 x1,25	8	4	A4 s/s
P0184.100-100-A4	M10 x1,0	8	5	A4 s/s
P0184.120-150-A4	M12 x1,5	10	6	A4 s/s
P0184.140-150-A4	M14 x1,5	10	7	A4 s/s
P0184.160-150-A4	M16 x1,5	10	8	A4 s/s
P0184.180-150-A4	M18 x1,5	10	8	A4 s/s
P0184.200-150-A4	M20 x1,5	10	10	A4 s/s
P0184.220-150-A4	M22 x1,5	10	10	A4 s/s
P0184.240-150-A4	M24 x1,5	12	12	A4 s/s
P0184.260-150-A4	M26 x1,5	12	12	A4 s/s
P0184.270-200-A4	M27 x2,0	12	12	A4 s/s
P0184.300-150-A4	M30 x1,5	12	17	A4 s/s
P0184.330-200-A4	M33 x2	12	17	A4 s/s
P0184.360-150-A4	M36 x1,5	15	19	A4 s/s
P0184.360-200-A4	M36 x2	15	19	A4 s/s
P0184.420-150-A4	M42 x1,5	18	22	A4 s/s
P0184.420-200-A4	M42 x2	18	22	A4 s/s
P0184.480-150-A4	M48 x1,5	20	24	A4 s/s
P0184.R1/8-A4	R1/8"	8	5	A4 s/s
P0184.R1/4-A4	R1/4"	10	7	A4 s/s
P0184.R3/8-A4	R3/8"	10	8	A4 s/s
P0184.R1/2-A4	R1/2"	10	10	A4 s/s
P0184.R5/8-A4	R5/8"	10	10	A4 s/s
P0184.R3/4-A4	R3/4"	12	12	A4 s/s



Blanking Plugs

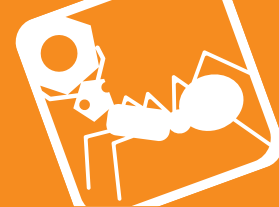
Metric & BSPT

Blanking Plugs



Order No.	d ₁	h ₁ tol. JS16	A/F	Material
P0184.R1-A4	R1"	12	17	A4 s/s
P0184.R1-1/4-A4	R1 1/4"	18	22	A2 s/s
P0184.R1-1/2-A4	R1 1/2"	20	24	A4 s/s
P0184.R2-A4	R2"	22	32	A4 s/s
P0184.R1/8-A2	R1/8"	8	5	A2 s/s
P0184.R1/4-A2	R1/4"	10	7	A2 s/s
P0184.R3/8-A2	R3/8"	10	8	A2 s/s
P0184.R1/2-A2	R1/2"	10	10	A2s/s
P0184.R3/4-A2	R3/4"	12	12	A2 s/s
P0184.R5/8-A2	R5/8"	12	12	A2 s/s
P0184.R1-A2	R1"	12	17	A2 s/s
P0184.R1-1/2-A2	R1 1/2"	20	24	A2 s/s
P0184.060-100-BR	M6 x1,0	6	3	Brass
P0184.080-075-BR	M8 x0,75	8	4	Brass
P0184.080-100-BR	M8 x1,0	8	4	Brass
P0184.080-125-BR	M8 x1,25	8	4	Brass
P0184.100-100-BR	M10 x1,0	8	5	Brass
P0184.120-150-BR	M12 x1,5	10	6	Brass
P0184.140-150-BR	M14 x1,5	10	7	Brass
P0184.160-150-BR	M16 x1,5	10	8	Brass
P0184.180-150-BR	M18 x1,5	10	8	Brass
P0184.200-150-BR	M20 x1,5	10	10	Brass
P0184.220-150-BR	M22 x1,5	10	10	Brass
P0184.240-150-BR	M24 x1,5	1	12	Brass
P0184.300-150-BR	M30 x1,5	12	17	Brass
P0184.300-200-BR	M30 x2	12	17	Brass
P0184.420-200-BR	M42 x2	18	22	Brass
P0184.R1/8-BR	R1/8"	8	5	Brass
P0184.R1/4-BR	R1/4"	10	7	Brass
P0184.R3/8-BR	R3/8"	10	8	Brass
P0184.R1/2-BR	R1/2"	10	10	Brass
P0184.R5/8-BR	R5/8"	10	10	Brass
P0184.R3/4-BR	R3/4"	12	12	Brass
P0184.R1-BR	R1"	12	17	Brass
P0184.R1-1/4-BR	R1 1/4"	18	22	Brass
P0184.R1-1/2-BR	R1 1/2"	20	24	Brass
P0184.R2-BR	R2"	22	32	Brass

BLANKING PLUGS



P0182
Hex head screw blanking plugs
DIN 910



P0183
Hex socket screw blanking plugs
DIN 908



P0184
Hex socket taper blanking plugs
DIN 906



P0184.NPT
Hex socket blanking plugs NPT
and NPTF dry seal



P0184.NL
Hex socket blanking plugs level
seal



P0187
Hexagon blanking plugs DIN
7604 A

Blanking Plugs from Automation Components

Threads

Blanking plugs come with either metric or inch threads. Most metric threads are fine threads (to DIN 13).

Inch threads come in four types:

G indicates BSPP British Standard pipe parallel (to ISO 288)

R indicates BSPT British Standard pipe taper (to ISO 7)

NPT indicates National Standard pipe taper (to ANSI B1.20.1)

NPTF indicates National Standard pipe taper fuel dry seal (to ANSI B1.20.3)

NL indicates National Standard pipe taper fuel level seal (to ANSI B1.20.3)

Materials

Blanking Plugs are available in three material types:

Steel (untreated or zinc plated)

Stainless steel (A2, AISI 303 and A4, AISI 316)

Brass

Options: with built-in magnet or with NBR seal and O Ring.

NPT and NPTF pipe threads

The two most common US standard taper pipe threads used are National Pipe Taper (NPT) and National Pipe Taper Fuel (NPTF). Applications range from electrical conduits and hand railings to high-pressure pipe lines that carry gas or caustic fluids. NPT threads are for mechanical or low-pressure air or fluid applications and often require the use of sealing compounds like Teflon tape, to provide the seal. When the application is more critical, and the sealing compound may fail due to high heat or pressure, NPTF Dryseal threads are used. This mechanical seal is produced by the mating and slight crushing of the threads when a wrench is applied to tighten the fittings.