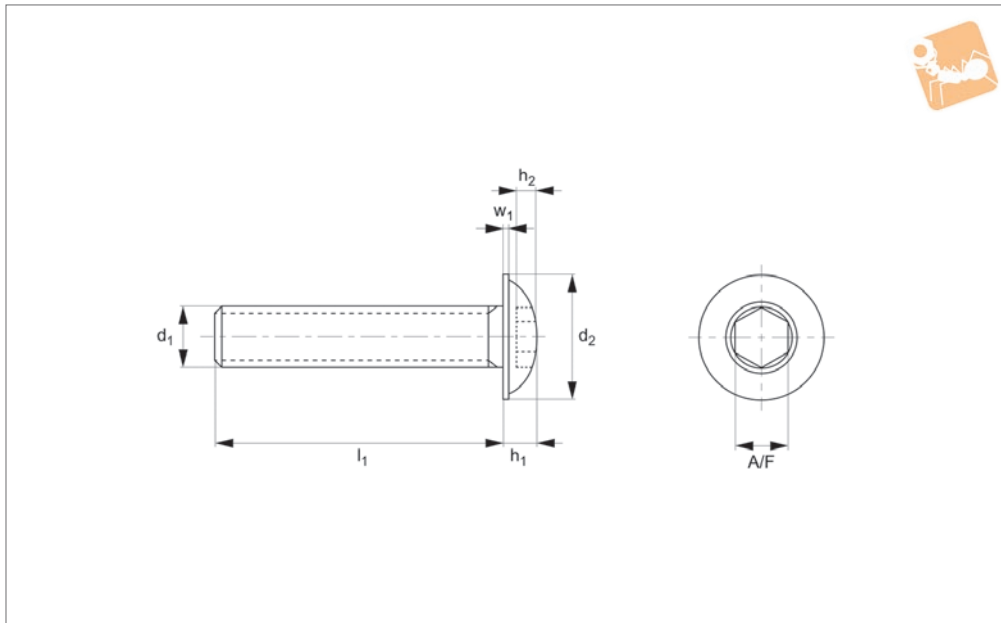




# Flanged Button Screws

Flanged - Steel - zinc-plated

## Standard Screws



**P0214.ZP**

STANDARD SCREWS

### Material

Steel, zinc-plated (grade 10.9 (010.9)).

### Technical Notes

Threaded within 2,5 x pitch of head.

Order No.	d <sub>1</sub>	l <sub>1</sub>	d <sub>2</sub>	h <sub>1</sub>	h <sub>2</sub>	w <sub>1</sub>	A/F
P0214.030-003-ZP	M 3	3	6.9	1.65	1.4	0.7	2.0
P0214.030-004-ZP	M 3	4	6.9	1.65	1.4	0.7	2.0
P0214.030-005-ZP	M 3	5	6.9	1.65	1.4	0.7	2.0
P0214.030-006-ZP	M 3	6	6.9	1.65	1.4	0.7	2.0
P0214.030-008-ZP	M 3	8	6.9	1.65	1.4	0.7	2.0
P0214.030-010-ZP	M 3	10	6.9	1.65	1.4	0.7	2.0
P0214.030-012-ZP	M 3	12	6.9	1.65	1.4	0.7	2.0
P0214.030-014-ZP	M 3	14	6.9	1.65	1.4	0.7	2.0
P0214.030-016-ZP	M 3	16	6.9	1.65	1.4	0.7	2.0
P0214.030-018-ZP	M 3	18	6.9	1.65	1.4	0.7	2.0
P0214.030-020-ZP	M 3	20	6.9	1.65	1.4	0.7	2.0
P0214.030-022-ZP	M 3	22	6.9	1.65	1.4	0.7	2.0
P0214.030-025-ZP	M 3	25	6.9	1.65	1.4	0.7	2.0
P0214.030-030-ZP	M 3	30	6.9	1.65	1.4	0.7	2.0
P0214.030-035-ZP	M 3	35	6.9	1.65	1.4	0.7	2.0
P0214.030-040-ZP	M 3	40	6.9	1.65	1.4	0.7	2.0
P0214.030-045-ZP	M 3	45	6.9	1.65	1.4	0.7	2.0
P0214.030-050-ZP	M 3	20	6.9	1.65	1.4	0.7	2.0
P0214.040-004-ZP	M 4	4	9.4	2.20	1.7	0.8	2.5
P0214.040-005-ZP	M 4	5	9.4	2.20	1.7	0.8	2.5
P0214.040-006-ZP	M 4	6	9.4	2.20	1.7	0.8	2.5
P0214.040-008-ZP	M 4	8	9.4	2.20	1.7	0.8	2.5
P0214.040-010-ZP	M 4	10	9.4	2.20	1.7	0.8	2.5
P0214.040-012-ZP	M 4	12	9.4	2.20	1.7	0.8	2.5
P0214.040-014-ZP	M 4	14	9.4	2.20	1.7	0.8	2.5
P0214.040-016-ZP	M 4	16	9.4	2.20	1.7	0.8	2.5
P0214.040-018-ZP	M 4	18	9.4	2.20	1.7	0.8	2.5
P0214.040-020-ZP	M 4	20	9.4	2.20	1.7	0.8	2.5
P0214.040-022-ZP	M 4	22	9.4	2.20	1.7	0.8	2.5
P0214.040-025-ZP	M 4	25	9.4	2.20	1.7	0.8	2.5
P0214.040-030-ZP	M 4	30	9.4	2.20	1.7	0.8	2.5
P0214.040-035-ZP	M 4	35	9.4	2.20	1.7	0.8	2.5
P0214.040-040-ZP	M 4	40	9.4	2.20	1.7	0.8	2.5
P0214.040-045-ZP	M 4	45	9.4	2.20	1.7	0.8	2.5
P0214.040-050-ZP	M 4	50	9.4	2.20	1.7	0.8	2.5



STANDARD SCREWS

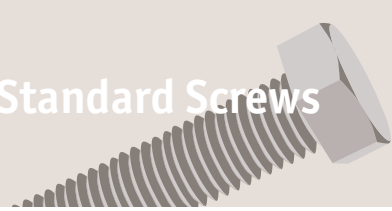
Order No.	d <sub>1</sub>	l <sub>1</sub>	d <sub>2</sub>	h <sub>1</sub>	h <sub>2</sub>	w <sub>1</sub>	A/F
P0214.040-055-ZP	M 4	55	9.4	2.20	1.7	0.8	2.5
P0214.040-060-ZP	M 4	60	9.4	2.20	1.7	0.8	2.5
P0214.050-005-ZP	M 5	5	11.8	2.75	2.2	0.9	3.0
P0214.050-006-ZP	M 5	6	11.8	2.75	2.2	0.9	3.0
P0214.050-008-ZP	M 5	8	11.8	2.75	2.2	0.9	3.0
P0214.050-010-ZP	M 5	10	11.8	2.75	2.2	0.9	3.0
P0214.050-012-ZP	M 5	12	11.8	2.75	2.2	0.9	3.0
P0214.050-014-ZP	M 5	14	11.8	2.75	2.2	0.9	3.0
P0214.050-016-ZP	M 5	16	11.8	2.75	2.2	0.9	3.0
P0214.050-018-ZP	M 5	18	11.8	2.75	2.2	0.9	3.0
P0214.050-020-ZP	M 5	20	11.8	2.75	2.2	0.9	3.0
P0214.050-022-ZP	M 5	22	11.8	2.75	2.2	0.9	3.0
P0214.050-025-ZP	M 5	25	11.8	2.75	2.2	0.9	3.0
P0214.050-030-ZP	M 5	30	11.8	2.75	2.2	0.9	3.0
P0214.050-035-ZP	M 5	35	11.8	2.75	2.2	0.9	3.0
P0214.050-040-ZP	M 5	40	11.8	2.75	2.2	0.9	3.0
P0214.050-045-ZP	M 5	45	11.8	2.75	2.2	0.9	3.0
P0214.050-050-ZP	M 5	50	11.8	2.75	2.2	0.9	3.0
P0214.050-055-ZP	M 5	55	11.8	2.75	2.2	0.9	3.0
P0214.050-060-ZP	M 5	60	11.8	2.75	2.2	0.9	3.0
P0214.050-065-ZP	M 5	65	11.8	2.75	2.2	0.9	3.0
P0214.050-070-ZP	M 5	70	11.8	2.75	2.2	0.9	3.0
P0214.050-075-ZP	M 5	75	11.8	2.75	2.2	0.9	3.0
P0214.050-080-ZP	M 5	80	11.8	2.75	2.2	0.9	3.0
P0214.060-006-ZP	M 6	6	13.6	3.30	2.4	1.2	4.0
P0214.060-008-ZP	M 6	8	13.6	3.30	2.4	1.2	4.0
P0214.060-010-ZP	M 6	10	13.6	3.30	2.4	1.2	4.0
P0214.060-012-ZP	M 6	12	13.6	3.30	2.4	1.2	4.0
P0214.060-014-ZP	M 6	14	13.6	3.30	2.4	1.2	4.0
P0214.060-016-ZP	M 6	16	13.6	3.30	2.4	1.2	4.0
P0214.060-018-ZP	M 6	18	13.6	3.30	2.4	1.2	4.0
P0214.060-020-ZP	M 6	20	13.6	3.30	2.4	1.2	4.0
P0214.060-022-ZP	M 6	22	13.6	3.30	2.4	1.2	4.0
P0214.060-025-ZP	M 6	25	13.6	3.30	2.4	1.2	4.0
P0214.060-030-ZP	M 6	30	13.6	3.30	2.4	1.2	4.0
P0214.060-035-ZP	M 6	35	13.6	3.30	2.4	1.2	4.0
P0214.060-040-ZP	M 6	40	13.6	3.30	2.4	1.2	4.0
P0214.060-045-ZP	M 6	45	13.6	3.30	2.4	1.2	4.0
P0214.060-050-ZP	M 6	50	13.6	3.30	2.4	1.2	4.0
P0214.060-055-ZP	M 6	55	13.6	3.30	2.4	1.2	4.0
P0214.060-060-ZP	M 6	60	13.6	3.30	2.4	1.2	4.0
P0214.060-065-ZP	M 6	65	13.6	3.30	2.4	1.2	4.0
P0214.060-070-ZP	M 6	70	13.6	3.30	2.4	1.2	4.0
P0214.060-075-ZP	M 6	75	13.6	3.30	2.4	1.2	4.0
P0214.060-080-ZP	M 6	80	13.6	3.30	2.4	1.2	4.0
P0214.060-090-ZP	M 6	90	13.6	3.30	2.4	1.2	4.0
P0214.060-100-ZP	M 6	100	13.6	3.30	2.4	1.2	4.0
P0214.060-120-ZP	M 6	120	13.6	3.30	2.4	1.2	4.0
P0214.080-008-ZP	M 8	8	17.8	4.40	3.2	1.5	5.0
P0214.080-010-ZP	M 8	10	17.8	4.40	3.2	1.5	5.0
P0214.080-012-ZP	M 8	12	17.8	4.40	3.2	1.5	5.0
P0214.080-014-ZP	M 8	14	17.8	4.40	3.2	1.5	5.0
P0214.080-016-ZP	M 8	16	17.8	4.40	3.2	1.5	5.0
P0214.080-018-ZP	M 8	18	17.8	4.40	3.2	1.5	5.0
P0214.080-020-ZP	M 8	20	17.8	4.40	3.2	1.5	5.0
P0214.080-022-ZP	M 8	22	17.8	4.40	3.2	1.5	5.0
P0214.080-025-ZP	M 8	25	17.8	4.40	3.2	1.5	5.0
P0214.080-030-ZP	M 8	30	17.8	4.40	3.2	1.5	5.0
P0214.080-035-ZP	M 8	35	17.8	4.40	3.2	1.5	5.0
P0214.080-040-ZP	M 8	40	17.8	4.40	3.2	1.5	5.0
P0214.080-045-ZP	M 8	45	17.8	4.40	3.2	1.5	5.0
P0214.080-050-ZP	M 8	50	17.8	4.40	3.2	1.5	5.0
P0214.080-055-ZP	M 8	55	17.8	4.40	3.2	1.5	5.0
P0214.080-060-ZP	M 8	60	17.8	4.40	3.2	1.5	5.0
P0214.080-065-ZP	M 8	65	17.8	4.40	3.2	1.5	5.0
P0214.080-070-ZP	M 8	70	17.8	4.40	3.2	1.5	5.0
P0214.080-075-ZP	M 8	75	17.8	4.40	3.2	1.5	5.0
P0214.080-080-ZP	M 8	80	17.8	4.40	3.2	1.5	5.0
P0214.080-090-ZP	M 8	90	17.8	4.40	3.2	1.5	5.0



# Flanged Button Screws

Flanged - Steel - zinc-plated

## Standard Screws



Order No.	d <sub>1</sub>	l <sub>1</sub>	d <sub>2</sub>	h <sub>1</sub>	h <sub>2</sub>	w <sub>1</sub>	A/F
P0214.080-100-ZP	M 8	100	17.8	4.40	3.2	1.5	5.0
P0214.080-120-ZP	M 8	120	17.8	4.40	3.2	1.5	5.0
P0214.100-012-ZP	M10	12	21.9	5.50	3.8	1	6.0
P0214.100-015-ZP	M10	14	21.9	5.50	3.8	1	6.0
P0214.100-016-ZP	M10	16	21.9	5.50	3.8	1	6.0
P0214.100-018-ZP	M10	18	21.9	5.50	3.8	1	6.0
P0214.100-020-ZP	M10	20	21.9	5.50	3.8	1	6.0
P0214.100-022-ZP	M10	22	21.9	5.50	3.8	1	6.0
P0214.100-025-ZP	M10	25	21.9	5.50	3.8	1	6.0
P0214.100-030-ZP	M10	30	21.9	5.50	3.8	1	6.0
P0214.100-035-ZP	M10	35	21.9	5.50	3.8	1	6.0
P0214.100-040-ZP	M10	40	21.9	5.50	3.8	1	6.0
P0214.100-045-ZP	M10	45	21.9	5.50	3.8	1	6.0
P0214.100-050-ZP	M10	50	21.9	5.50	3.8	1	6.0
P0214.100-055-ZP	M10	55	21.9	5.50	3.8	1	6.0
P0214.100-060-ZP	M10	60	21.9	5.50	3.8	1	6.0
P0214.100-065-ZP	M10	65	21.9	5.50	3.8	1	6.0
P0214.100-070-ZP	M10	70	21.9	5.50	3.8	1	6.0
P0214.100-075-ZP	M10	75	21.9	5.50	3.8	1	6.0
P0214.100-080-ZP	M10	80	21.9	5.50	3.8	1	6.0
P0214.100-090-ZP	M10	90	21.9	5.50	3.8	1	6.0
P0214.100-100-ZP	M10	100	21.9	5.50	3.8	1	6.0
P0214.100-110-ZP	M10	110	21.9	5.50	3.8	1	6.0
P0214.100-120-ZP	M10	120	21.9	5.50	3.8	1	6.0

STANDARD SCREWS