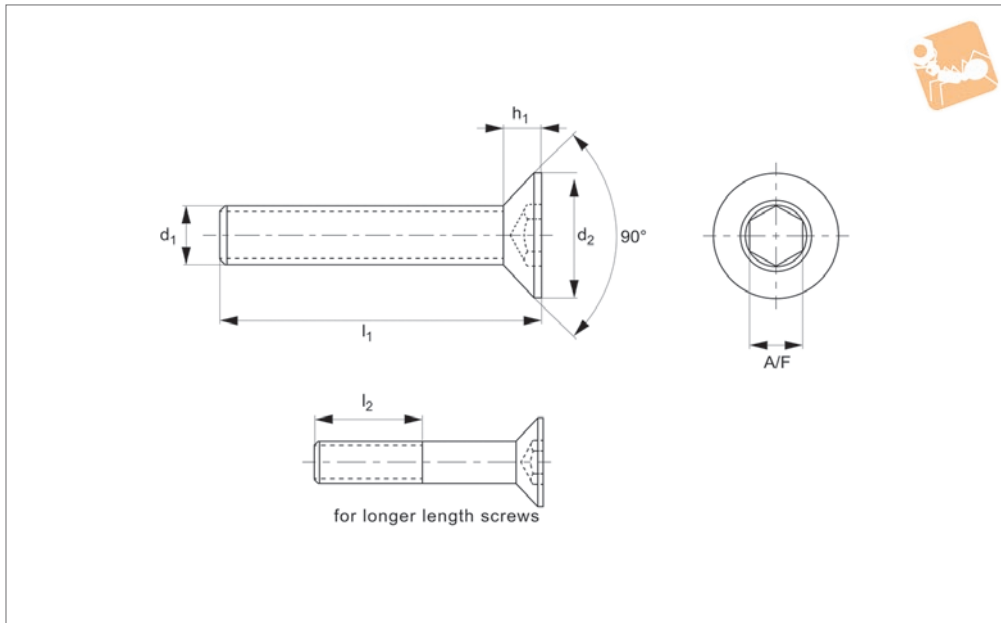




Socket Countersunk Machine Screws

Socket - Steel, zinc-plated

Standard Screws



P0222.ZP

STANDARD SCREWS

Material

Steel, zinc-plated (grade 10.9).

Technical Notes

To DIN 7991, ISO 10642. For the majority

of screw lengths the threads goes all the way to the head of the screw (i.e. $l_1 = l_2$) less 2.5 thread pitches.

For longer length screws the threaded

portion $l_2 < l_1$.

Order No.	d ₁	l ₁	d ₂	l ₂	h ₁	A/F
P0222.030-006-ZP	M 3	6	6	-	1.7	2.0
P0222.030-008-ZP	M 3	8	6	-	1.7	2.0
P0222.030-010-ZP	M 3	10	6	-	1.7	2.0
P0222.030-012-ZP	M 3	12	6	-	1.7	2.0
P0222.030-014-ZP	M 3	14	6	12	1.7	2.0
P0222.030-016-ZP	M 3	16	6	12	1.7	2.0
P0222.030-018-ZP	M 3	18	6	12	1.7	2.0
P0222.030-020-ZP	M 3	20	6	12	1.7	2.0
P0222.030-022-ZP	M 3	22	6	12	1.7	2.0
P0222.030-025-ZP	M 3	25	6	12	1.7	2.0
P0222.030-030-ZP	M 3	30	6	12	1.7	2.0
P0222.030-035-ZP	M 3	35	6	12	1.7	2.0
P0222.030-040-ZP	M 3	40	6	12	1.7	2.0
P0222.040-006-ZP	M 4	6	8	-	2.3	2.5
P0222.040-008-ZP	M 4	8	8	-	2.3	2.5
P0222.040-010-ZP	M 4	10	8	-	2.3	2.5
P0222.040-012-ZP	M 4	12	8	-	2.3	2.5
P0222.040-014-ZP	M 4	14	8	-	2.3	2.5
P0222.040-016-ZP	M 4	16	8	14	2.3	2.5
P0222.040-020-ZP	M 4	20	8	14	2.3	2.5
P0222.040-022-ZP	M 4	22	8	14	2.3	2.5
P0222.040-025-ZP	M 4	25	8	14	2.3	2.5
P0222.040-030-ZP	M 4	30	8	14	2.3	2.5
P0222.040-035-ZP	M 4	35	8	14	2.3	2.5
P0222.040-040-ZP	M 4	40	8	14	2.3	2.5
P0222.040-045-ZP	M 4	45	8	14	2.3	2.5
P0222.040-050-ZP	M 4	50	8	14	2.3	2.5
P0222.040-055-ZP	M 4	55	8	14	2.3	2.5
P0222.040-060-ZP	M 4	60	8	14	2.3	2.5
P0222.040-065-ZP	M 4	65	8	14	2.3	2.5
P0222.040-070-ZP	M 4	70	8	14	2.3	2.5
P0222.050-006-ZP	M 5	6	10	-	2.8	3.0
P0222.050-008-ZP	M 5	8	10	-	2.8	3.0
P0222.050-010-ZP	M 5	10	10	-	2.8	3.0



STANDARD SCREWS

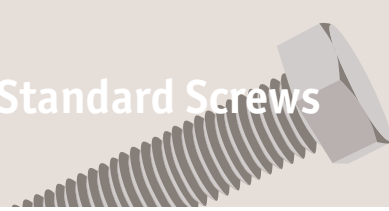
Order No.	d ₁	l ₁	d ₂	l ₂	h ₁	A/F
P0222.050-012-ZP	M 5	12	10	-	2.8	3.0
P0222.050-014-ZP	M 5	14	10	-	2.8	3.0
P0222.050-016-ZP	M 5	16	10	-	2.8	3.0
P0222.050-018-ZP	M 5	18	10	16	2.8	3.0
P0222.050-020-ZP	M 5	20	10	16	2.8	3.0
P0222.050-022-ZP	M 5	22	10	16	2.8	3.0
P0222.050-025-ZP	M 5	25	10	16	2.8	3.0
P0222.050-030-ZP	M 5	30	10	16	2.8	3.0
P0222.050-035-ZP	M 5	35	10	16	2.8	3.0
P0222.050-040-ZP	M 5	40	10	16	2.8	3.0
P0222.050-045-ZP	M 5	45	10	16	2.8	3.0
P0222.050-050-ZP	M 5	50	10	16	2.8	3.0
P0222.050-055-ZP	M 5	55	10	16	2.8	3.0
P0222.050-060-ZP	M 5	60	10	16	2.8	3.0
P0222.050-065-ZP	M 5	65	10	16	2.8	3.0
P0222.050-070-ZP	M 5	70	10	16	2.8	3.0
P0222.050-075-ZP	M 5	75	10	16	2.8	3.0
P0222.050-080-ZP	M 5	80	10	16	2.8	3.0
P0222.050-085-ZP	M 5	85	10	16	2.8	3.0
P0222.050-090-ZP	M 5	90	10	16	2.8	3.0
P0222.050-095-ZP	M 5	95	10	16	2.8	3.0
P0222.050-100-ZP	M 5	100	10	16	2.8	3.0
P0222.060-008-ZP	M 6	8	12.0	-	3.30	4.0
P0222.060-010-ZP	M 6	10	12.0	-	3.30	4.0
P0222.060-012-ZP	M 6	12	12.0	-	3.30	4.0
P0222.060-014-ZP	M 6	14	12.0	-	3.30	4.0
P0222.060-016-ZP	M 6	16	12.0	-	3.30	4.0
P0222.060-018-ZP	M 6	18	12.0	-	3.30	4.0
P0222.060-020-ZP	M 6	20	12.0	18	3.30	4.0
P0222.060-022-ZP	M 6	22	12.0	18	3.30	4.0
P0222.060-025-ZP	M 6	25	12.0	18	3.30	4.0
P0222.060-030-ZP	M 6	30	12.0	18	3.30	4.0
P0222.060-035-ZP	M 6	35	12.0	18	3.30	4.0
P0222.060-040-ZP	M 6	40	12.0	18	3.30	4.0
P0222.060-045-ZP	M 6	45	12.0	18	3.30	4.0
P0222.060-050-ZP	M 6	50	12.0	18	3.30	4.0
P0222.060-055-ZP	M 6	55	12.0	18	3.30	4.0
P0222.060-060-ZP	M 6	60	12.0	18	3.30	4.0
P0222.060-065-ZP	M 6	65	12.0	18	3.30	4.0
P0222.060-070-ZP	M 6	70	12.0	18	3.30	4.0
P0222.060-075-ZP	M 6	75	12.0	18	3.30	4.0
P0222.060-080-ZP	M 6	80	12.0	18	3.30	4.0
P0222.060-085-ZP	M 6	85	12.0	18	3.30	4.0
P0222.060-090-ZP	M 6	90	12.0	18	3.30	4.0
P0222.060-095-ZP	M 6	95	12.0	18	3.30	4.0
P0222.060-100-ZP	M 6	100	12.0	18	3.30	4.0
P0222.080-010-ZP	M 8	10	16.0	-	4.40	5.0
P0222.080-012-ZP	M 8	12	16.0	-	4.40	5.0
P0222.080-014-ZP	M 8	14	16.0	-	4.40	5.0
P0222.080-016-ZP	M 8	16	16.0	-	4.40	5.0
P0222.080-018-ZP	M 8	18	16.0	-	4.40	5.0
P0222.080-020-ZP	M 8	20	16.0	-	4.40	5.0
P0222.080-022-ZP	M 8	22	16.0	-	4.40	5.0
P0222.080-025-ZP	M 8	25	16.0	22	4.40	5.0
P0222.080-030-ZP	M 8	30	16.0	22	4.40	5.0
P0222.080-035-ZP	M 8	35	16.0	22	4.40	5.0
P0222.080-040-ZP	M 8	40	16.0	22	4.40	5.0
P0222.080-045-ZP	M 8	45	16.0	22	4.40	5.0
P0222.080-050-ZP	M 8	50	16.0	22	4.40	5.0
P0222.080-055-ZP	M 8	55	16.0	22	4.40	5.0
P0222.080-060-ZP	M 8	60	16.0	22	4.40	5.0
P0222.080-065-ZP	M 8	65	16.0	22	4.40	5.0
P0222.080-070-ZP	M 8	70	16.0	22	4.40	5.0
P0222.080-075-ZP	M 8	75	16.0	22	4.40	5.0
P0222.080-080-ZP	M 8	80	16.0	22	4.40	5.0
P0222.080-085-ZP	M 8	85	16.0	22	4.40	5.0
P0222.080-090-ZP	M 8	90	16.0	22	4.40	5.0
P0222.080-095-ZP	M 8	95	16.0	22	4.40	5.0
P0222.080-100-ZP	M 8	100	16.0	22	4.40	5.0



Socket Countersunk Machine Screws

Socket - Steel, zinc-plated

Standard Screws



Order No.	d ₁	l ₁	d ₂	l ₂	h ₁	A/F
P0222.080-110-ZP	M 8	110	16.0	22	4.40	5.0
P0222.080-120-ZP	M 8	120	16.0	22	4.40	5.0
P0222.080-130-ZP	M 8	130	16.0	22	4.40	5.0
P0222.080-140-ZP	M 8	140	16.0	22	4.40	5.0
P0222.080-150-ZP	M 8	150	16.0	22	4.40	5.0
P0222.080-160-ZP	M 8	160	16.0	22	4.40	5.0
P0222.100-016-ZP	M10	16	20.0	-	5.50	6.0
P0222.100-018-ZP	M10	18	20.0	-	5.50	6.0
P0222.100-020-ZP	M10	20	20.0	-	5.50	6.0
P0222.100-022-ZP	M10	22	20.0	-	5.50	6.0
P0222.100-025-ZP	M10	25	20.0	-	5.50	6.0
P0222.100-030-ZP	M10	30	20.0	26	5.50	6.0
P0222.100-035-ZP	M10	35	20.0	26	5.50	6.0
P0222.100-040-ZP	M10	40	20.0	26	5.50	6.0
P0222.100-045-ZP	M10	45	20.0	26	5.50	6.0
P0222.100-050-ZP	M10	50	20.0	26	5.50	6.0
P0222.100-055-ZP	M10	55	20.0	26	5.50	6.0
P0222.100-060-ZP	M10	60	20.0	26	5.50	6.0
P0222.100-065-ZP	M10	65	20.0	26	5.50	6.0
P0222.100-070-ZP	M10	70	20.0	26	5.50	6.0
P0222.100-075-ZP	M10	75	20.0	26	5.50	6.0
P0222.100-080-ZP	M10	80	20.0	26	5.50	6.0
P0222.100-085-ZP	M10	85	20.0	26	5.50	6.0
P0222.100-090-ZP	M10	90	20.0	26	5.50	6.0
P0222.100-095-ZP	M10	95	20.0	26	5.50	6.0
P0222.100-100-ZP	M10	100	20.0	26	5.50	6.0
P0222.100-110-ZP	M10	110	20.0	26	5.50	6.0
P0222.100-120-ZP	M10	120	20.0	26	5.50	6.0
P0222.100-130-ZP	M10	130	20.0	26	5.50	6.0
P0222.100-140-ZP	M10	140	20.0	26	5.50	6.0
P0222.100-150-ZP	M10	150	20.0	26	5.50	6.0
P0222.100-160-ZP	M10	160	20.0	26	5.50	6.0
P0222.120-016-ZP	M12	16	24.0	-	6.50	8.0
P0222.120-018-ZP	M12	18	24.0	-	6.50	8.0
P0222.120-020-ZP	M12	20	24.0	-	6.50	8.0
P0222.120-022-ZP	M12	22	24.0	-	6.50	8.0
P0222.120-025-ZP	M12	25	24.0	-	6.50	8.0
P0222.120-030-ZP	M12	30	24.0	-	6.50	8.0
P0222.120-035-ZP	M12	35	24.0	30	6.50	8.0
P0222.120-040-ZP	M12	40	24.0	30	6.50	8.0
P0222.120-045-ZP	M12	45	24.0	30	6.50	8.0
P0222.120-050-ZP	M12	50	24.0	30	6.50	8.0
P0222.120-055-ZP	M12	55	24.0	30	6.50	8.0
P0222.120-060-ZP	M12	60	24.0	30	6.50	8.0
P0222.120-065-ZP	M12	65	24.0	30	6.50	8.0
P0222.120-070-ZP	M12	70	24.0	30	6.50	8.0
P0222.120-075-ZP	M12	75	24.0	30	6.50	8.0
P0222.120-080-ZP	M12	80	24.0	30	6.50	8.0
P0222.120-085-ZP	M12	85	24.0	30	6.50	8.0
P0222.120-090-ZP	M12	90	24.0	30	6.50	8.0
P0222.120-095-ZP	M12	95	24.0	30	6.50	8.0
P0222.120-100-ZP	M12	100	24.0	30	6.50	8.0
P0222.120-110-ZP	M12	110	24.0	30	6.50	8.0
P0222.120-120-ZP	M12	120	24.0	30	6.50	8.0
P0222.120-130-ZP	M12	130	24.0	30	6.50	8.0
P0222.120-140-ZP	M12	140	24.0	30	6.50	8.0
P0222.120-150-ZP	M12	150	24.0	30	6.50	8.0
P0222.120-160-ZP	M12	160	24.0	30	6.50	8.0
P0222.160-025-ZP	M16	25	30.0	-	7.50	10.0
P0222.160-030-ZP	M16	30	30.0	-	7.50	10.0
P0222.160-035-ZP	M16	35	30.0	-	7.50	10.0
P0222.160-040-ZP	M16	40	30.0	38	7.50	10.0
P0222.160-045-ZP	M16	45	30.0	38	7.50	10.0
P0222.160-050-ZP	M16	50	30.0	38	7.50	10.0
P0222.160-055-ZP	M16	55	30.0	38	7.50	10.0
P0222.160-060-ZP	M16	60	30.0	38	7.50	10.0
P0222.160-065-ZP	M16	65	30.0	38	7.50	10.0
P0222.160-070-ZP	M16	70	30.0	38	7.50	10.0
P0222.160-075-ZP	M16	75	30.0	38	7.50	10.0

STANDARD SCREWS



STANDARD SCREWS

Order No.	d ₁	l ₁	d ₂	l ₂	h ₁	A/F
P0222.160-080-ZP	M16	80	30.0	38	7.50	10.0
P0222.160-085-ZP	M16	85	30.0	38	7.50	10.0
P0222.160-090-ZP	M16	90	30.0	38	7.50	10.0
P0222.160-095-ZP	M16	95	30.0	38	7.50	10.0
P0222.160-100-ZP	M16	100	30.0	38	7.50	10.0
P0222.160-110-ZP	M16	110	30.0	38	7.50	10.0
P0222.160-120-ZP	M16	120	30.0	38	7.50	10.0
P0222.160-130-ZP	M16	130	30.0	38	7.50	10.0
P0222.160-140-ZP	M16	140	30.0	38	7.50	10.0
P0222.160-150-ZP	M16	150	30.0	38	7.50	10.0
P0222.160-160-ZP	M16	160	30.0	38	7.50	10.0
P0222.200-035-ZP	M20	35	36.0	-	8.50	12.0
P0222.200-040-ZP	M20	40	36.0	-	8.50	12.0
P0222.200-045-ZP	M20	45	36.0	-	8.50	12.0
P0222.200-050-ZP	M20	50	36.0	46	8.50	12.0
P0222.200-055-ZP	M20	55	36.0	46	8.50	12.0
P0222.200-060-ZP	M20	60	36.0	46	8.50	12.0
P0222.200-065-ZP	M20	65	36.0	46	8.50	12.0
P0222.200-070-ZP	M20	70	36.0	46	8.50	12.0
P0222.200-075-ZP	M20	75	36.0	46	8.50	12.0
P0222.200-080-ZP	M20	80	36.0	46	8.50	12.0
P0222.200-085-ZP	M20	85	36.0	46	8.50	12.0
P0222.200-090-ZP	M20	90	36.0	46	8.50	12.0
P0222.200-095-ZP	M20	95	36.0	46	8.50	12.0
P0222.200-100-ZP	M20	100	36.0	46	8.50	12.0
P0222.200-110-ZP	M20	110	36.0	46	8.50	12.0
P0222.200-120-ZP	M20	120	36.0	46	8.50	12.0
P0222.200-130-ZP	M20	130	36.0	46	8.50	12.0
P0222.200-140-ZP	M20	140	36.0	46	8.50	12.0
P0222.200-150-ZP	M20	150	36.0	46	8.50	12.0
P0222.200-160-ZP	M20	160	36.0	46	8.50	12.0
P0222.240-050-ZP	M24	50	39.0	-	14.0	14.0
P0222.240-055-ZP	M24	55	39.0	-	14.0	14.0
P0222.240-060-ZP	M24	60	39.0	54	14.0	14.0
P0222.240-065-ZP	M24	65	39.0	54	14.0	14.0
P0222.240-070-ZP	M24	70	39.0	54	14.0	14.0
P0222.240-075-ZP	M24	75	39.0	54	14.0	14.0
P0222.240-080-ZP	M24	80	39.0	54	14.0	14.0
P0222.240-085-ZP	M24	85	39.0	54	14.0	14.0
P0222.240-090-ZP	M24	90	39.0	54	14.0	14.0
P0222.240-095-ZP	M24	95	39.0	54	14.0	14.0
P0222.240-100-ZP	M24	100	39.0	54	14.0	14.0
P0222.240-110-ZP	M24	110	39.0	54	14.0	14.0
P0222.240-120-ZP	M24	120	39.0	54	14.0	14.0
P0222.240-130-ZP	M24	130	39.0	54	14.0	14.0
P0222.240-140-ZP	M24	140	39.0	54	14.0	14.0
P0222.240-150-ZP	M24	150	39.0	54	14.0	14.0
P0222.240-160-ZP	M24	160	39.0	54	14.0	14.0