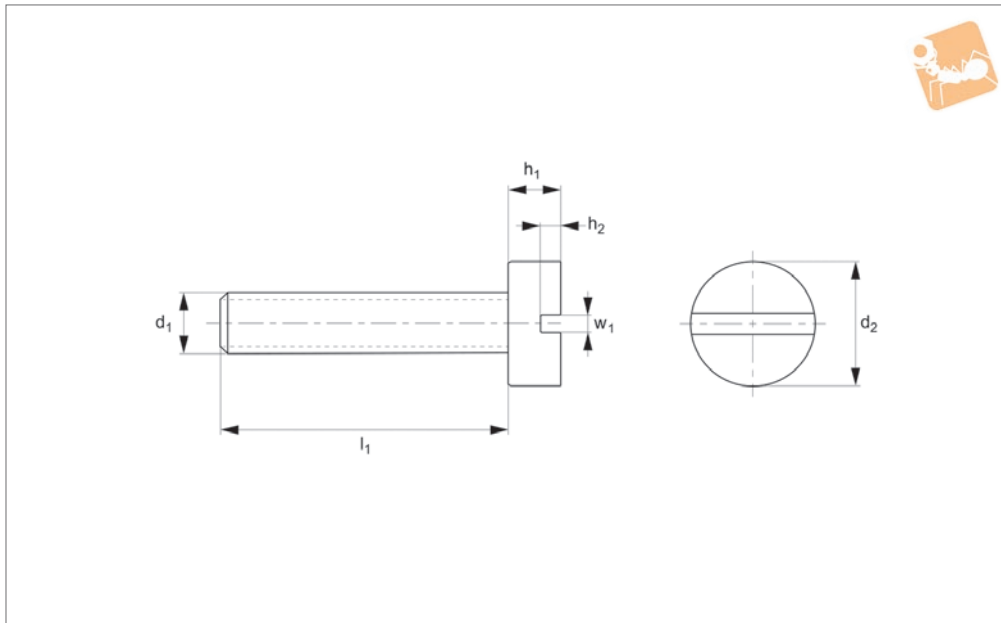




# Slot Cheese Head Screws

Slot - steel, zinc-plated

Standard Screws



**P0239.ZP**

STANDARD SCREWS

### Material

Steel, zinc-plated (grade 4.8).

### Technical Notes

To DIN 84.

Order No.	d <sub>1</sub>	l <sub>1</sub>	w <sub>1</sub>	h <sub>1</sub>	h <sub>2</sub>	d <sub>2</sub>	Material
P0239.016-003-ZP	M1,6	3	0.40	1.0	0.45	3.0	Steel
P0239.016-004-ZP	M1,6	4	0.40	1.0	0.45	3.0	Steel
P0239.016-005-ZP	M1,6	5	0.40	1.0	0.45	3.0	Steel
P0239.016-006-ZP	M1,6	6	0.40	1.0	0.45	3.0	Steel
P0239.016-008-ZP	M1,6	8	0.40	1.0	0.45	3.0	Steel
P0239.016-010-ZP	M1,6	10	0.40	1.0	0.45	3.0	Steel
P0239.016-012-ZP	M1,6	12	0.40	1.0	0.45	3.0	Steel
P0239.016-014-ZP	M1,6	14	0.40	1.0	0.45	3.0	Steel
P0239.016-016-ZP	M1,6	16	0.40	1.0	0.45	3.0	Steel
P0239.016-018-ZP	M1,6	18	0.40	1.0	0.45	3.0	Steel
P0239.020-003-ZP	M 2	3	0.50	1.3	0.60	3.8	Steel
P0239.020-004-ZP	M 2	4	0.50	1.3	0.60	3.8	Steel
P0239.020-005-ZP	M 2	5	0.50	1.3	0.60	3.8	Steel
P0239.020-006-ZP	M 2	6	0.50	1.3	0.60	3.8	Steel
P0239.020-008-ZP	M 2	8	0.50	1.3	0.60	3.8	Steel
P0239.020-010-ZP	M 2	10	0.50	1.3	0.60	3.8	Steel
P0239.020-012-ZP	M 2	12	0.50	1.3	0.60	3.8	Steel
P0239.020-014-ZP	M 2	14	0.50	1.3	0.60	3.8	Steel
P0239.020-016-ZP	M 2	16	0.50	1.3	0.60	3.8	Steel
P0239.020-018-ZP	M 2	18	0.50	1.3	0.60	3.8	Steel
P0239.020-020-ZP	M 2	20	0.50	1.3	0.60	3.8	Steel
P0239.020-022-ZP	M 2	22	0.50	1.3	0.60	3.8	Steel
P0239.020-025-ZP	M 2	25	0.50	1.3	0.60	3.8	Steel
P0239.020-028-ZP	M 2	28	0.50	1.3	0.60	3.8	Steel
P0239.020-030-ZP	M 2	30	0.50	1.3	0.60	3.8	Steel
P0239.025-003-ZP	M2,5	3	0.60	1.6	0.70	4.5	Steel
P0239.025-004-ZP	M2,5	4	0.60	1.6	0.70	4.5	Steel
P0239.025-005-ZP	M2,5	5	0.60	1.6	0.70	4.5	Steel
P0239.025-006-ZP	M2,5	6	0.60	1.6	0.70	4.5	Steel
P0239.025-008-ZP	M2,5	8	0.60	1.6	0.70	4.5	Steel
P0239.025-010-ZP	M2,5	10	0.60	1.6	0.70	4.5	Steel
P0239.025-012-ZP	M2,5	12	0.60	1.6	0.70	4.5	Steel
P0239.025-014-ZP	M2,5	14	0.60	1.6	0.70	4.5	Steel
P0239.025-016-ZP	M2,5	16	0.60	1.6	0.70	4.5	Steel
P0239.025-018-ZP	M2,5	18	0.60	1.6	0.70	4.5	Steel



STANDARD SCREWS

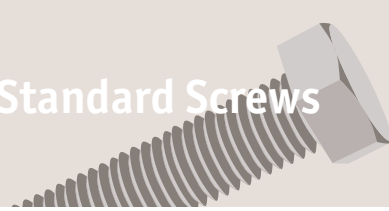
Order No.	d <sub>1</sub>	l <sub>1</sub>	w <sub>1</sub>	h <sub>1</sub>	h <sub>2</sub>	d <sub>2</sub>	Material
P0239.025-020-ZP	M2,5	20	0.60	1.6	0.70	4.5	Steel
P0239.025-022-ZP	M2,5	22	0.60	1.6	0.70	4.5	Steel
P0239.025-025-ZP	M2,5	25	0.60	1.6	0.70	4.5	Steel
P0239.025-028-ZP	M2,5	28	0.60	1.6	0.70	4.5	Steel
P0239.025-030-ZP	M2,5	30	0.60	1.6	0.70	4.5	Steel
P0239.030-003-ZP	M 3	3	0.80	2.0	0.85	5.5	Steel
P0239.030-004-ZP	M 3	4	0.80	2.0	0.85	5.5	Steel
P0239.030-005-ZP	M 3	5	0.80	2.0	0.85	5.5	Steel
P0239.030-006-ZP	M 3	6	0.80	2.0	0.85	5.5	Steel
P0239.030-008-ZP	M 3	8	0.80	2.0	0.85	5.5	Steel
P0239.030-010-ZP	M 3	10	0.80	2.0	0.85	5.5	Steel
P0239.030-012-ZP	M 3	12	0.80	2.0	0.85	5.5	Steel
P0239.030-014-ZP	M 3	14	0.80	2.0	0.85	5.5	Steel
P0239.030-016-ZP	M 3	16	0.80	2.0	0.85	5.5	Steel
P0239.030-018-ZP	M 3	18	0.80	2.0	0.85	5.5	Steel
P0239.030-020-ZP	M 3	20	0.80	2.0	0.85	5.5	Steel
P0239.030-022-ZP	M 3	22	0.80	2.0	0.85	5.5	Steel
P0239.030-025-ZP	M 3	25	0.80	2.0	0.85	5.5	Steel
P0239.030-028-ZP	M 3	28	0.80	2.0	0.85	5.5	Steel
P0239.030-030-ZP	M 3	30	0.80	2.0	0.85	5.5	Steel
P0239.030-035-ZP	M 3	35	0.80	2.0	0.85	5.5	Steel
P0239.030-040-ZP	M 3	40	0.80	2.0	0.85	5.5	Steel
P0239.030-045-ZP	M 3	45	0.80	2.0	0.85	5.5	Steel
P0239.030-050-ZP	M 3	50	0.80	2.0	0.85	5.5	Steel
P0239.030-055-ZP	M 3	55	0.80	2.0	0.85	5.5	Steel
P0239.030-060-ZP	M 3	60	0.80	2.0	0.85	5.5	Steel
P0239.035-004-ZP	M3,5	4	1.00	2.4	1.00	6.0	Steel
P0239.035-005-ZP	M3,5	5	1.00	2.4	1.00	6.0	Steel
P0239.035-006-ZP	M3,5	6	1.00	2.4	1.00	6.0	Steel
P0239.035-008-ZP	M3,5	8	1.00	2.4	1.00	6.0	Steel
P0239.035-010-ZP	M3,5	10	1.00	2.4	1.00	6.0	Steel
P0239.035-012-ZP	M3,5	12	1.00	2.4	1.00	6.0	Steel
P0239.035-014-ZP	M3,5	14	1.00	2.4	1.00	6.0	Steel
P0239.035-016-ZP	M3,5	16	1.00	2.4	1.00	6.0	Steel
P0239.035-018-ZP	M3,5	18	1.00	2.4	1.00	6.0	Steel
P0239.035-020-ZP	M3,5	20	1.00	2.4	1.00	6.0	Steel
P0239.035-022-ZP	M3,5	22	1.00	2.4	1.00	6.0	Steel
P0239.035-025-ZP	M3,5	25	1.00	2.4	1.00	6.0	Steel
P0239.035-028-ZP	M3,5	28	1.00	2.4	1.00	6.0	Steel
P0239.035-030-ZP	M3,5	30	1.00	2.4	1.00	6.0	Steel
P0239.035-035-ZP	M3,5	35	1.00	2.4	1.00	6.0	Steel
P0239.035-040-ZP	M3,5	40	1.00	2.4	1.00	6.0	Steel
P0239.035-045-ZP	M3,5	45	1.00	2.4	1.00	6.0	Steel
P0239.035-050-ZP	M3,5	50	1.00	2.4	1.00	6.0	Steel
P0239.035-055-ZP	M3,5	55	1.00	2.4	1.00	6.0	Steel
P0239.035-060-ZP	M3,5	60	1.00	2.4	1.00	6.0	Steel
P0239.040-004-ZP	M 4	4	1.20	2.6	1.10	7.0	Steel
P0239.040-005-ZP	M 4	5	1.20	2.6	1.10	7.0	Steel
P0239.040-006-ZP	M 4	6	1.20	2.6	1.10	7.0	Steel
P0239.040-008-ZP	M 4	8	1.20	2.6	1.10	7.0	Steel
P0239.040-010-ZP	M 4	10	1.20	2.6	1.10	7.0	Steel
P0239.040-012-ZP	M 4	12	1.20	2.6	1.10	7.0	Steel
P0239.040-014-ZP	M 4	14	1.20	2.6	1.10	7.0	Steel
P0239.040-016-ZP	M 4	16	1.20	2.6	1.10	7.0	Steel
P0239.040-018-ZP	M 4	18	1.20	2.6	1.10	7.0	Steel
P0239.040-020-ZP	M 4	20	1.20	2.6	1.10	7.0	Steel
P0239.040-022-ZP	M 4	22	1.20	2.6	1.10	7.0	Steel
P0239.040-025-ZP	M 4	25	1.20	2.6	1.10	7.0	Steel
P0239.040-028-ZP	M 4	28	1.20	2.6	1.10	7.0	Steel
P0239.040-030-ZP	M 4	30	1.20	2.6	1.10	7.0	Steel
P0239.040-035-ZP	M 4	35	1.20	2.6	1.10	7.0	Steel
P0239.040-040-ZP	M 4	40	1.20	2.6	1.10	7.0	Steel
P0239.040-045-ZP	M 4	45	1.20	2.6	1.10	7.0	Steel
P0239.040-050-ZP	M 4	50	1.20	2.6	1.10	7.0	Steel
P0239.040-055-ZP	M 4	55	1.20	2.6	1.10	7.0	Steel
P0239.040-060-ZP	M 4	60	1.20	2.6	1.10	7.0	Steel
P0239.040-065-ZP	M 4	65	1.20	2.6	1.10	7.0	Steel
P0239.040-070-ZP	M 4	70	1.20	2.6	1.10	7.0	Steel
P0239.040-075-ZP	M 4	75	1.20	2.6	1.10	7.0	Steel



# Slot Cheese Head Screws

Slot - steel, zinc-plated

Standard Screws



Order No.	d <sub>1</sub>	l <sub>1</sub>	w <sub>1</sub>	h <sub>1</sub>	h <sub>2</sub>	d <sub>2</sub>	Material
P0239.040-080-ZP	M 4	80	1.20	2.6	1.10	7.0	Steel
P0239.040-085-ZP	M 4	85	1.20	2.6	1.10	7.0	Steel
P0239.040-090-ZP	M 4	90	1.20	2.6	1.10	7.0	Steel
P0239.040-100-ZP	M 4	100	1.20	2.6	1.10	7.0	Steel
P0239.050-006-ZP	M 5	6	1.20	3.3	1.30	8.5	Steel
P0239.050-008-ZP	M 5	8	1.20	3.3	1.30	8.5	Steel
P0239.050-010-ZP	M 5	10	1.20	3.3	1.30	8.5	Steel
P0239.050-012-ZP	M 5	12	1.20	3.3	1.30	8.5	Steel
P0239.050-014-ZP	M 5	14	1.20	3.3	1.30	8.5	Steel
P0239.050-016-ZP	M 5	16	1.20	3.3	1.30	8.5	Steel
P0239.050-018-ZP	M 5	18	1.20	3.3	1.30	8.5	Steel
P0239.050-020-ZP	M 5	20	1.20	3.3	1.30	8.5	Steel
P0239.050-022-ZP	M 5	22	1.20	3.3	1.30	8.5	Steel
P0239.050-025-ZP	M 5	25	1.20	3.3	1.30	8.5	Steel
P0239.050-028-ZP	M 5	28	1.20	3.3	1.30	8.5	Steel
P0239.050-030-ZP	M 5	30	1.20	3.3	1.30	8.5	Steel
P0239.050-035-ZP	M 5	35	1.20	3.3	1.30	8.5	Steel
P0239.050-040-ZP	M 5	40	1.20	3.3	1.30	8.5	Steel
P0239.050-045-ZP	M 5	45	1.20	3.3	1.30	8.5	Steel
P0239.050-050-ZP	M 5	50	1.20	3.3	1.30	8.5	Steel
P0239.050-055-ZP	M 5	55	1.20	3.3	1.30	8.5	Steel
P0239.050-060-ZP	M 5	60	1.20	3.3	1.30	8.5	Steel
P0239.050-065-ZP	M 5	65	1.20	3.3	1.30	8.5	Steel
P0239.050-070-ZP	M 5	70	1.20	3.3	1.30	8.5	Steel
P0239.050-075-ZP	M 5	75	1.20	3.3	1.30	8.5	Steel
P0239.050-080-ZP	M 5	80	1.20	3.3	1.30	8.5	Steel
P0239.050-085-ZP	M 5	85	1.20	3.3	1.30	8.5	Steel
P0239.050-090-ZP	M 5	90	1.20	3.3	1.30	8.5	Steel
P0239.050-100-ZP	M 5	100	1.20	3.3	1.30	8.5	Steel
P0239.060-006-ZP	M 6	6	1.60	3.9	1.60	10.0	Steel
P0239.060-008-ZP	M 6	8	1.60	3.9	1.60	10.0	Steel
P0239.060-010-ZP	M 6	10	1.60	3.9	1.60	10.0	Steel
P0239.060-012-ZP	M 6	12	1.60	3.9	1.60	10.0	Steel
P0239.060-014-ZP	M 6	14	1.60	3.9	1.60	10.0	Steel
P0239.060-016-ZP	M 6	16	1.60	3.9	1.60	10.0	Steel
P0239.060-018-ZP	M 6	18	1.60	3.9	1.60	10.0	Steel
P0239.060-020-ZP	M 6	20	1.60	3.9	1.60	10.0	Steel
P0239.060-022-ZP	M 6	22	1.60	3.9	1.60	10.0	Steel
P0390.060-025-ZP	M 6	25	1.60	3.9	1.60	10.0	Steel
P0239.060-028-ZP	M 6	28	1.60	3.9	1.60	10.0	Steel
P0239.060-030-ZP	M 6	30	1.60	3.9	1.60	10.0	Steel
P0239.060-035-ZP	M 6	35	1.60	3.9	1.60	10.0	Steel
P0239.060-040-ZP	M 6	40	1.60	3.9	1.60	10.0	Steel
P0239.060-045-ZP	M 6	45	1.60	3.9	1.60	10.0	Steel
P0239.060-050-ZP	M 6	50	1.60	3.9	1.60	10.0	Steel
P0239.060-055-ZP	M 6	55	1.60	3.9	1.60	10.0	Steel
P0239.060-060-ZP	M 6	60	1.60	3.9	1.60	10.0	Steel
P0239.060-065-ZP	M 6	65	1.60	3.9	1.60	10.0	Steel
P0239.060-070-ZP	M 6	70	1.60	3.9	1.60	10.0	Steel
P0239.060-075-ZP	M 6	75	1.60	3.9	1.60	10.0	Steel
P0239.060-080-ZP	M 6	80	1.60	3.9	1.60	10.0	Steel
P0239.060-085-ZP	M 6	85	1.60	3.9	1.60	10.0	Steel
P0239.060-090-ZP	M 6	90	1.60	3.9	1.60	10.0	Steel
P0239.060-100-ZP	M 6	100	1.60	3.9	1.60	10.0	Steel
P0239.080-010-ZP	M 8	10	2.00	5.0	2.00	13.0	Steel
P0239.080-012-ZP	M 8	12	2.00	5.0	2.00	13.0	Steel
P0239.080-014-ZP	M 8	14	2.00	5.0	2.00	13.0	Steel
P0239.080-016-ZP	M 8	16	2.00	5.0	2.00	13.0	Steel
P0239.080-018-ZP	M 8	18	2.00	5.0	2.00	13.0	Steel
P0239.080-020-ZP	M 8	20	2.00	5.0	2.00	13.0	Steel
P0239.080-022-ZP	M 8	22	2.00	5.0	2.00	13.0	Steel
P0239.080-025-ZP	M 8	25	2.00	5.0	2.00	13.0	Steel
P0239.080-028-ZP	M 8	28	2.00	5.0	2.00	13.0	Steel
P0239.080-030-ZP	M 8	30	2.00	5.0	2.00	13.0	Steel
P0239.080-035-ZP	M 8	35	2.00	5.0	2.00	13.0	Steel
P0239.080-040-ZP	M 8	40	2.00	5.0	2.00	13.0	Steel
P0239.080-045-ZP	M 8	45	2.00	5.0	2.00	13.0	Steel
P0239.080-050-ZP	M 8	50	2.00	5.0	2.00	13.0	Steel
P0239.080-055-ZP	M 8	55	2.00	5.0	2.00	13.0	Steel

STANDARD SCREWS



STANDARD SCREWS

Order No.	d <sub>1</sub>	l <sub>1</sub>	w <sub>1</sub>	h <sub>1</sub>	h <sub>2</sub>	d <sub>2</sub>	Material
P0239.080-060-ZP	M 8	60	2.00	5.0	2.00	13.0	Steel
P0239.080-065-ZP	M 8	65	2.00	5.0	2.00	13.0	Steel
P0239.080-070-ZP	M 8	70	2.00	5.0	2.00	13.0	Steel
P0239.080-075-ZP	M 8	75	2.00	5.0	2.00	13.0	Steel
P0239.080-080-ZP	M 8	80	2.00	5.0	2.00	13.0	Steel
P0239.080-085-ZP	M 8	85	2.00	5.0	2.00	13.0	Steel
P0239.080-090-ZP	M 8	90	2.00	5.0	2.00	13.0	Steel
P0239.080-100-ZP	M 8	100	2.00	5.0	2.00	13.0	Steel
P0239.100-016-ZP	M10	16	2.50	6.0	2.40	16.0	Steel
P0239.100-018-ZP	M10	18	2.50	6.0	2.40	16.0	Steel
P0239.100-020-ZP	M10	20	2.50	6.0	2.40	16.0	Steel
P0239.100-022-ZP	M10	22	2.50	6.0	2.40	16.0	Steel
P0239.100-025-ZP	M10	25	2.50	6.0	2.40	16.0	Steel
P0239.100-028-ZP	M10	28	2.50	6.0	2.40	16.0	Steel
P0239.100-030-ZP	M10	30	2.50	6.0	2.40	16.0	Steel
P0239.100-035-ZP	M10	35	2.50	6.0	2.40	16.0	Steel
P0239.100-040-ZP	M10	40	2.50	6.0	2.40	16.0	Steel
P0239.100-045-ZP	M10	45	2.50	6.0	2.40	16.0	Steel
P0239.100-050-ZP	M10	50	2.50	6.0	2.40	16.0	Steel
P0239.100-055-ZP	M10	55	2.50	6.0	2.40	16.0	Steel
P0239.100-060-ZP	M10	60	2.50	6.0	2.40	16.0	Steel
P0239.100-065-ZP	M10	65	2.50	6.0	2.40	16.0	Steel
P0239.100-070-ZP	M10	70	2.50	6.0	2.40	16.0	Steel
P0239.100-075-ZP	M10	75	2.50	6.0	2.40	16.0	Steel
P0239.100-080-ZP	M10	80	2.50	6.0	2.40	16.0	Steel
P0239.100-085-ZP	M10	85	2.50	6.0	2.40	16.0	Steel
P0239.100-090-ZP	M10	90	2.50	6.0	2.40	16.0	Steel
P0239.100-100-ZP	M10	100	2.50	6.0	2.40	16.0	Steel