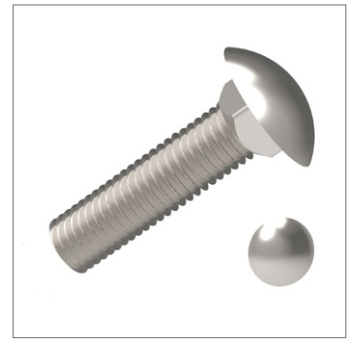
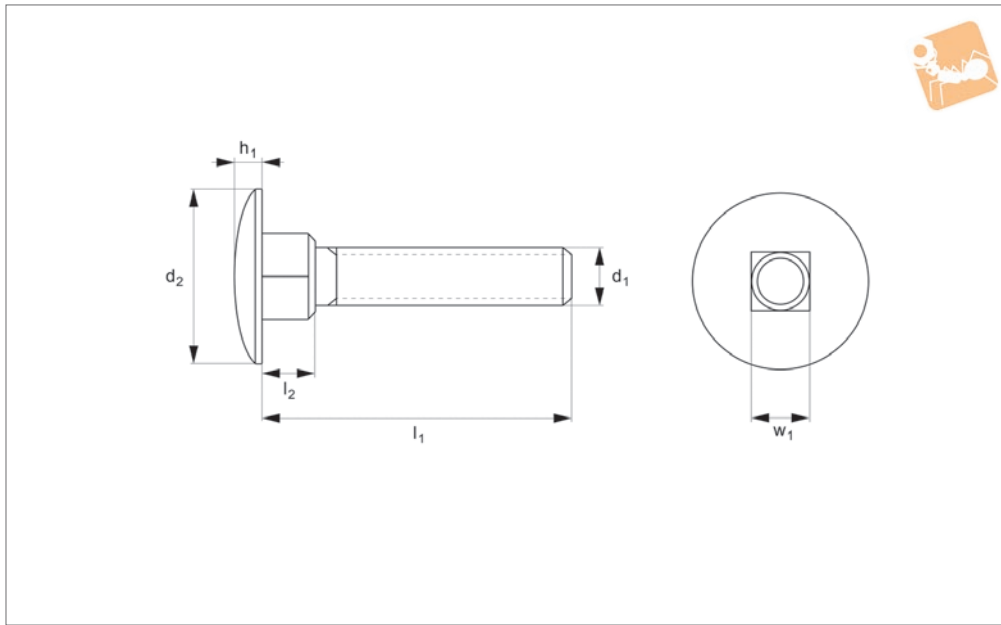




Carriage Bolts - Full Thread

Full Thread - steel, zinc-plated

Standard Screws



P0264.ZP

STANDARD SCREWS

Material

Steel, zinc-plated (grade 8.8).

Technical Notes

To DIN 603.

Order No.	d ₁	l ₁	h ₁	d ₂	l ₂	w ₁
P0264.050-016-ZP	M 5	16	2.7	12.45	2.9	4.52
P0264.050-020-ZP	M 5	20	2.7	12.45	2.9	4.52
P0264.050-025-ZP	M 5	25	2.7	12.45	2.9	4.52
P0264.050-030-ZP	M 5	30	2.7	12.45	2.9	4.52
P0264.050-035-ZP	M 5	35	2.7	12.45	2.9	4.52
P0264.050-040-ZP	M 5	40	2.7	12.45	2.9	4.52
P0264.050-045-ZP	M 5	45	2.7	12.45	2.9	4.52
P0264.050-050-ZP	M 5	50	2.7	12.45	2.9	4.52
P0264.050-055-ZP	M 5	55	2.7	12.45	2.9	4.52
P0264.050-060-ZP	M 5	60	2.7	12.45	2.9	4.52
P0264.050-065-ZP	M 5	65	2.7	12.45	2.9	4.52
P0264.050-070-ZP	M 5	70	2.7	12.45	2.9	4.52
P0264.050-075-ZP	M 5	75	2.7	12.45	2.9	4.52
P0264.050-080-ZP	M 5	80	2.7	12.45	2.9	4.52
P0264.060-012-ZP	M 6	12	3.12	15.45	3.4	5.52
P0264.060-016-ZP	M 6	16	3.12	15.45	3.4	5.52
P0264.060-020-ZP	M 6	20	3.12	15.45	3.4	5.52
P0264.060-025-ZP	M 6	25	3.12	15.45	3.4	5.52
P0264.060-030-ZP	M 6	30	3.12	15.45	3.4	5.52
P0264.060-035-ZP	M 6	35	3.12	15.45	3.4	5.52
P0264.060-040-ZP	M 6	40	3.12	15.45	3.4	5.52
P0264.060-045-ZP	M 6	45	3.12	15.45	3.4	5.52
P0264.060-050-ZP	M 6	50	3.12	15.45	3.4	5.52
P0264.060-055-ZP	M 6	55	3.12	15.45	3.4	5.52
P0264.060-060-ZP	M 6	60	3.12	15.45	3.4	5.52
P0264.060-065-ZP	M 6	65	3.12	15.45	3.4	5.52
P0264.060-070-ZP	M 6	70	3.12	15.45	3.4	5.52
P0264.060-075-ZP	M 6	75	3.12	15.45	3.4	5.52
P0264.060-080-ZP	M 6	80	3.12	15.45	3.4	5.52
P0264.060-090-ZP	M 6	90	3.12	15.45	3.4	5.52
P0264.060-100-ZP	M 6	100	3.12	15.45	3.4	5.52
P0264.080-016-ZP	M 8	16	4.12	19.35	4.4	7.42
P0264.080-020-ZP	M 8	20	4.12	19.35	4.4	7.42
P0264.080-025-ZP	M 8	25	4.12	19.35	4.4	7.42
P0264.080-030-ZP	M 8	30	4.12	19.35	4.4	7.42



STANDARD SCREWS

Order No.	d ₁	l ₁	h ₁	d ₂	l ₂	w ₁
P0264.080-035-ZP	M 8	35	4.12	19.35	4.4	7.42
P0264.080-040-ZP	M 8	40	4.12	19.35	4.4	7.42
P0264.080-045-ZP	M 8	45	4.12	19.35	4.4	7.42
P0264.080-050-ZP	M 8	50	4.12	19.35	4.4	7.42
P0264.080-055-ZP	M 8	55	4.12	19.35	4.4	7.42
P0264.080-060-ZP	M 8	60	4.12	19.35	4.4	7.42
P0264.080-065-ZP	M 8	65	4.12	19.35	4.4	7.42
P0264.080-070-ZP	M 8	70	4.12	19.35	4.4	7.42
P0264.080-075-ZP	M 8	75	4.12	19.35	4.4	7.42
P0264.080-080-ZP	M 8	80	4.12	19.35	4.4	7.42
P0264.080-090-ZP	M 8	90	4.12	19.35	4.4	7.42
P0264.080-100-ZP	M 8	100	4.12	19.35	4.4	7.42
P0264.100-016-ZP	M10	16	4.62	23.25	5.4	9.42
P0264.100-020-ZP	M10	20	4.62	23.25	5.4	9.42
P0264.100-025-ZP	M10	25	4.62	23.25	5.4	9.42
P0264.100-030-ZP	M10	30	4.62	23.25	5.4	9.42
P0264.100-035-ZP	M10	35	4.62	23.25	5.4	9.42
P0264.100-040-ZP	M10	40	4.62	23.25	5.4	9.42
P0264.100-045-ZP	M10	45	4.62	23.25	5.4	9.42
P0264.100-050-ZP	M10	50	4.62	23.25	5.4	9.42
P0264.100-055-ZP	M10	55	4.62	23.25	5.4	9.42
P0264.100-060-ZP	M10	60	4.62	23.25	5.4	9.42
P0264.100-065-ZP	M10	65	4.62	23.25	5.4	9.42
P0264.100-070-ZP	M10	70	4.62	23.25	5.4	9.42
P0264.100-075-ZP	M10	75	4.62	23.25	5.4	9.42
P0264.100-080-ZP	M10	80	4.62	23.25	5.4	9.42
P0264.100-090-ZP	M10	90	4.62	23.25	5.4	9.42
P0264.100-100-ZP	M10	100	4.62	23.25	5.4	9.42
P0264.120-025-ZP	M12	25	6.05	29.25	7.25	11.3
P0264.120-030-ZP	M12	30	6.05	29.25	7.25	11.3
P0264.120-035-ZP	M12	35	6.05	29.25	7.25	11.3
P0264.120-040-ZP	M12	40	6.05	29.25	7.25	11.3
P0264.120-045-ZP	M12	45	6.05	29.25	7.25	11.3
P0264.120-050-ZP	M12	50	6.05	29.25	7.25	11.3
P0264.120-055-ZP	M12	55	6.05	29.25	7.25	11.3
P0264.120-060-ZP	M12	60	6.05	29.25	7.25	11.3
P0264.120-065-ZP	M12	65	6.05	29.25	7.25	11.3
P0264.120-070-ZP	M12	70	6.05	29.25	7.25	11.3
P0264.120-075-ZP	M12	75	6.05	29.25	7.25	11.3
P0264.120-080-ZP	M12	80	6.05	29.25	7.25	11.3
P0264.120-090-ZP	M12	90	6.05	29.25	7.25	11.3
P0264.120-100-ZP	M12	100	6.05	29.25	7.25	11.3
P0264.160-040-ZP	M16	40	8.05	37.20	11.10	15.3
P0264.160-045-ZP	M16	45	8.05	37.20	11.10	15.3
P0264.160-050-ZP	M16	50	8.05	37.20	11.10	15.3
P0264.160-055-ZP	M16	55	8.05	37.20	11.10	15.3
P0264.160-060-ZP	M16	60	8.05	37.20	11.10	15.3
P0264.160-065-ZP	M16	65	8.05	37.20	11.10	15.3
P0264.160-070-ZP	M16	70	8.05	37.20	11.10	15.3
P0264.160-075-ZP	M16	75	8.05	37.20	11.10	15.3
P0264.160-080-ZP	M16	80	8.05	37.20	11.10	15.3
P0264.160-090-ZP	M16	90	8.05	37.20	11.10	15.3
P0264.160-100-ZP	M16	100	8.05	37.20	11.10	15.3