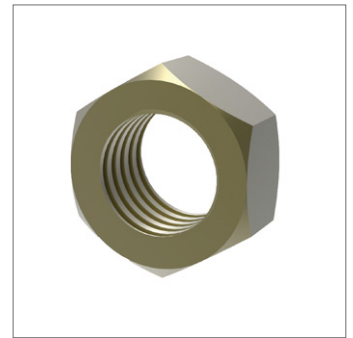
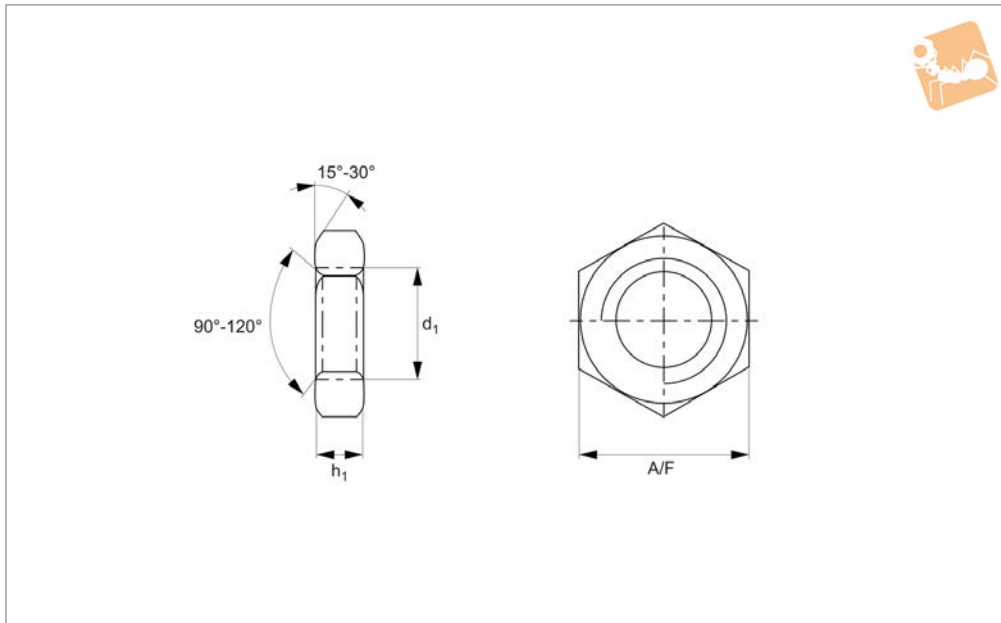


Lock Nuts Fine Thread

Brass



P0306.BR

NUTS

Material

Brass.

Technical Notes

To DIN 439. Fine pitch threads.
For coarse thread lock nuts see P0305.

Order No.	d	h	A/F	Material
P0306.080-100-BR	M 8x1,0	3.7	13	Brass
P0306.100-100-BR	M10x1,0	4.7	17	Brass
P0306.120-150-BR	M12x1,5	5.7	19	Brass
P0306.140-150-BR	M14x1,5	6.42	22	Brass
P0306.160-150-BR	M16x1,5	7.42	24	Brass
P0306.180-150-BR	M18x1,5	8.42	27	Brass
P0306.200-150-BR	M20x1,5	9.1	30	Brass
P0306.220-150-BR	M22x1,5	9.9	34	Brass
P0306.240-150-BR	M24x1,5	10.9	36	Brass
P0306.270-150-BR	M27x1,5	12.4	41	Brass
P0306.300-150-BR	M30x1,5	13.9	46	Brass