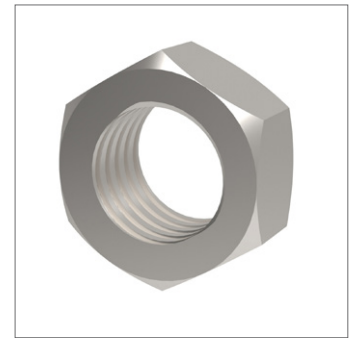
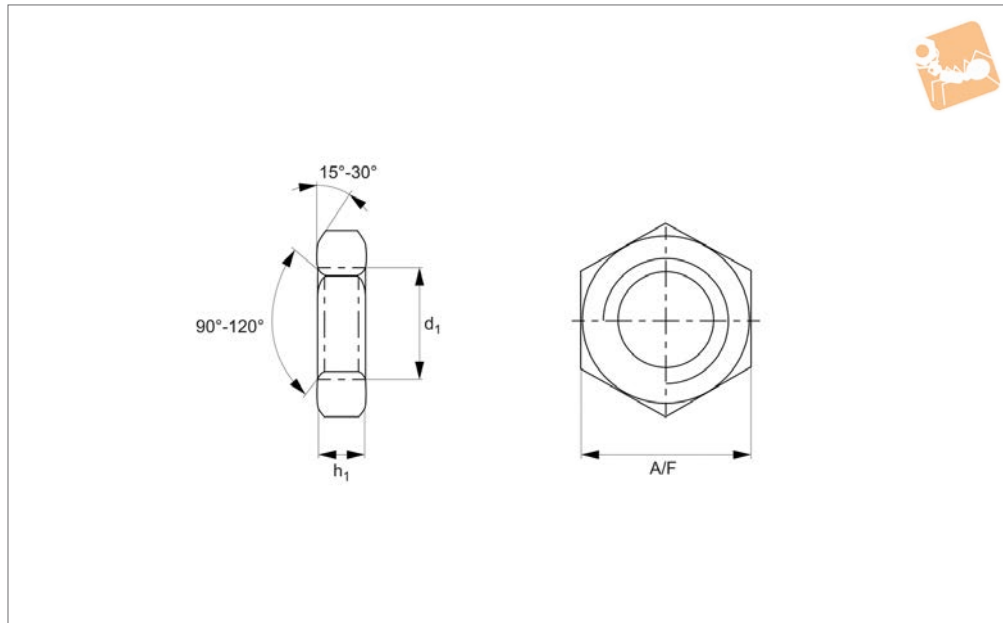




# Lock Nuts Left Hand Thread

Steel, zinc-plated



**P0307.ZP**

NUTS

### Material

Steel (class 4), zinc-plated.

Standard threads are coarse pitch.

Fine threads are indicated by an A & B suffix.

### Technical Notes

To DIN 439. Left hand threads.

Order No.	d <sub>1</sub>	h <sub>1</sub>	A/F	Material
P0307.050-ZP	M 5	2.7	8	Steel ZP
P0307.060-ZP	M 6	2.9	10	Steel ZP
P0307.080-ZP	M 8	3.7	13	Steel ZP
P0307.100-ZP	M10	4.7	17	Steel ZP
P0307.100-100-ZP	M10x1,0	4.7	17	Steel ZP
P0307.100-125-ZP	M10x1,25	4.7	17	Steel ZP
P0307.120-ZP	M12	5.7	19	Steel ZP
P0307.120-100-ZP	M12x1,0	5.7	19	Steel ZP
P0307.120-125-ZP	M12x1,25	5.7	19	Steel ZP
P0307.120-150-ZP	M12x1,5	5.7	19	Steel ZP
P0307.160-ZP	M16	7.42	24	Steel ZP
P0307.160-150-ZP	M16x1,5	7.42	24	Steel ZP
P0307.180-150-ZP	M18x1,5	9	27	Steel ZP
P0307.200-ZP	M20	9.1	30	Steel ZP
P0307.200-150-ZP	M20x1,5	9.1	30	Steel ZP
P0307.220-150-ZP	M22x1,5	9.1	32	Steel ZP
P0307.240-ZP	M24	10.9	36	Steel ZP
P0307.240-150-ZP	M24x1,5	10.9	36	Steel ZP
P0307.240-200-ZP	M24x2,0	10.9	36	Steel ZP
P0307.270-ZP	M27	13.5	41	Steel ZP
P0307.270-150-ZP	M27x1,5	13.5	41	Steel ZP
P0307.300-ZP	M30	13.9	46	Steel ZP
P0307.300-150-ZP	M30x1,5	13.9	46	Steel ZP
P0307.300-200-ZP	M30x2,0	13.9	46	Steel ZP
P0307.360-150-ZP	M36x1,5	18	55	Steel ZP
P0307.360-300-ZP	M36x3,0	18	55	Steel ZP