

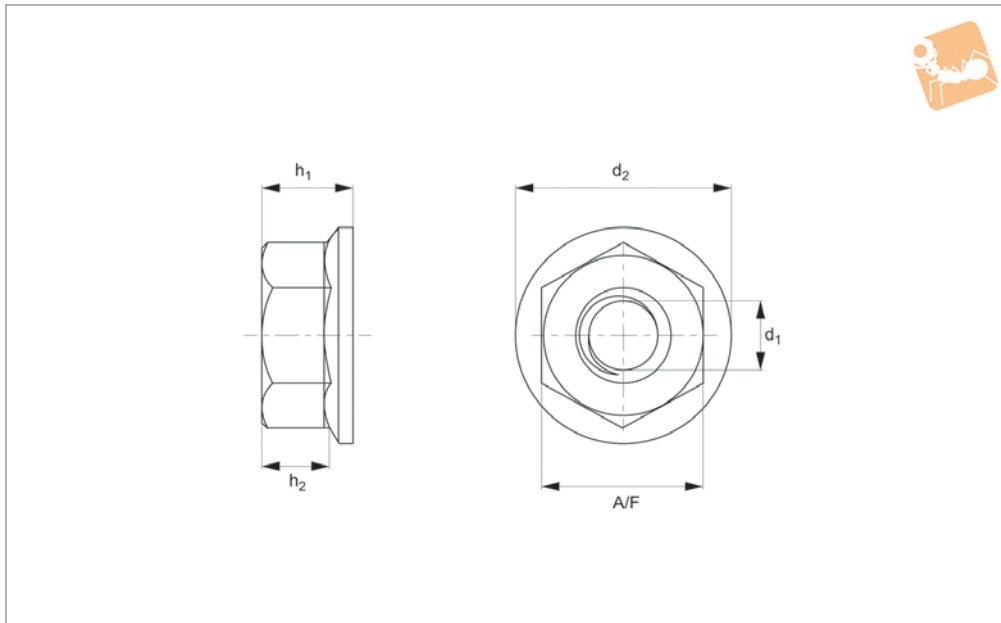


Serrated Flanged Nuts

Serrated - A2 stainless



Nuts



P0309.A2

NUTS

Material

Stainless steel (A2).

Technical Notes

To DIN 6923, serrated.

Order No.	d ₁	d ₂ max.	h ₁ max.	h ₂ min.	A/F	Material
P0309.040-A2	M 4	10	4.65	1.9	7	A2 s/s
P0309.030-A2	M 3	8	3.7	-	5.5	A2 s/s
P0309.050-A2	M 5	11.8	5.0	2.2	8	A2 s/s
P0309.060-A2	M 6	14.2	6.0	3.1	10	A2 s/s
P0309.080-A2	M 8	17.9	8.0	4.5	13	A2 s/s
P0309.100-A2	M10	21.8	10.0	5.5	15	A2 s/s
P0309.120-A2	M12	26.0	12.0	6.7	18	A2 s/s
P0309.160-A2	M16	34.5	16.0	-	24	A2 s/s