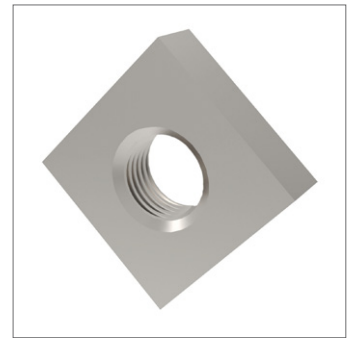
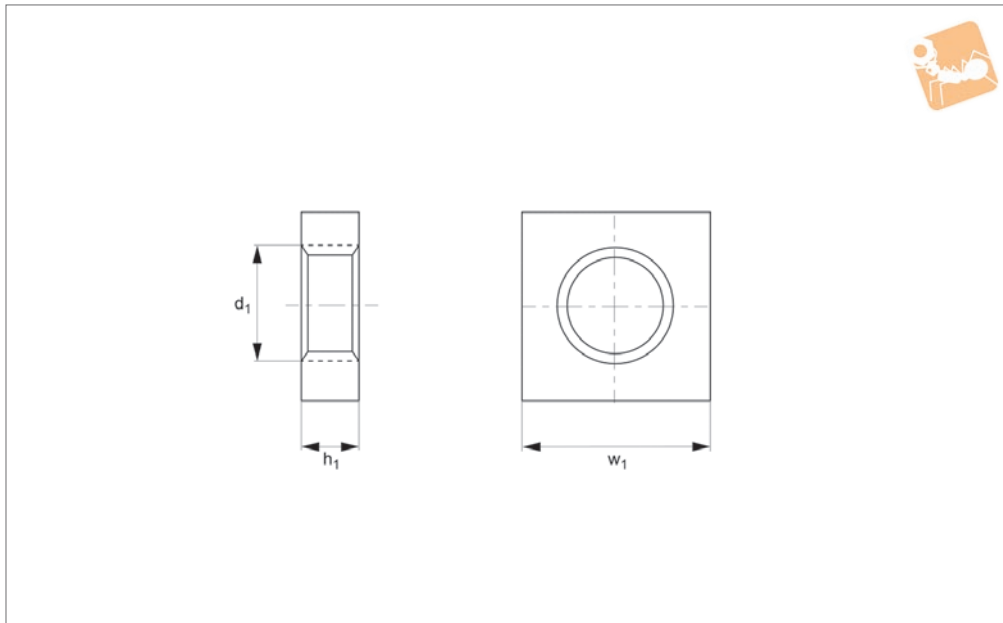




Square Nuts

Steel, zinc-plated



P0323.ZP

NUTS

Material

Steel (class 4), zinc-plated.

Technical Notes

To DIN 562. Standard metric coarse threads.

Order No.	d ₁	w ₁	h ₁ min.	Material
P0323.030-ZP	M 3	5.5	1.8	Steel ZP
P0323.040-ZP	M 4	7	2.2	Steel ZP
P0323.050-ZP	M 5	8	2.7	Steel ZP
P0323.060-ZP	M 6	10	3.2	Steel ZP
P0323.080-ZP	M 8	13	4.0	Steel ZP
P0323.100-ZP	M10	16	5.0	Steel ZP