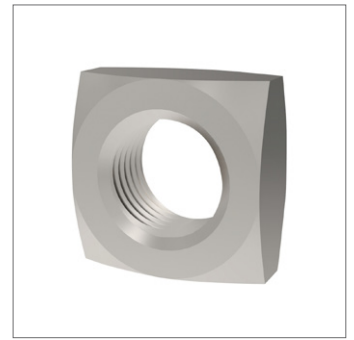
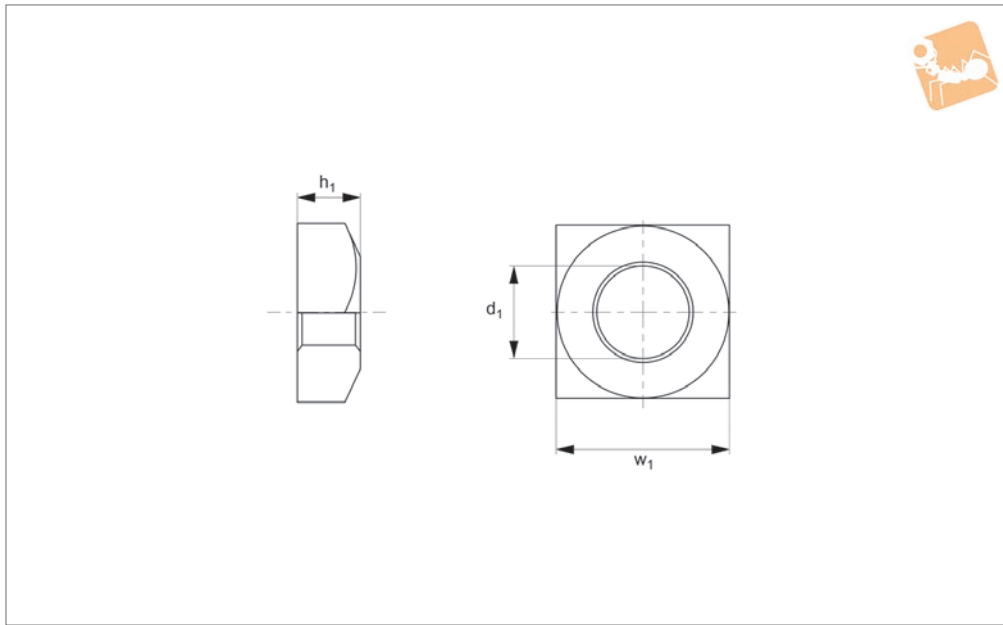




# Chamfered Square Nuts

Chamfered - steel, self-colour



**P0324.SC**

NUTS

### Material

Steel (class 5 or over), self-colour

### Technical Notes

To DIN 557. Standard metric coarse threads.

Order No.	$d_1$	$w_1$	$h_1$	Material
P0324.040-SC	M 4	7	3.2	Steel SC
P0324.050-SC	M 5	8	4.0	Steel SC
P0324.060-SC	M 6	10	5.0	Steel SC
P0324.080-SC	M 8	13	6.0	Steel SC
P0324.100-SC	M10	17	8.0	Steel SC
P0324.120-SC	M12	19	10	Steel SC