

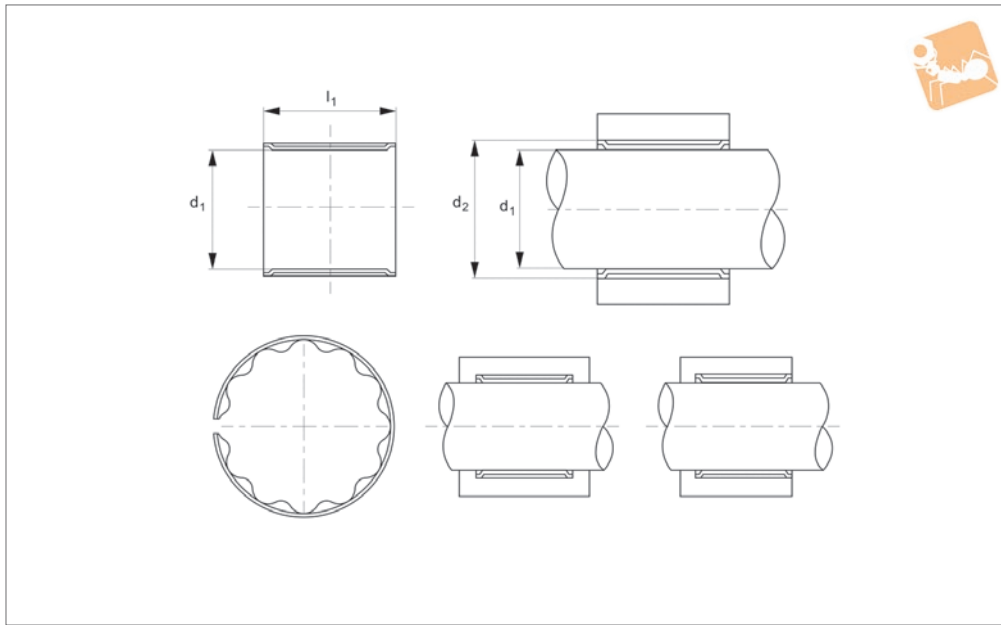


Tolerance Rings - Hole Variable- HV

HV type, A2 Stainless



Tolerance Rings



P0396

TOLERANCE RINGS

Material

Stainless steel (type 304, DIN 1.4301).

Technical Notes

Tolerance rings allow the mating of parts

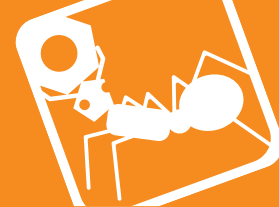
with wider tolerances.

The waves are on the inside, the ring sits on the housing bore with the waves being compressed by the shaft diameter.

Tips

For use where there is an accurate shaft but the bore may have a wide tolerance.

Order No.	d ₁ tol. H9	d ₁ nom.	l	d ₂ for bearings	d ₂ for torque transfer	Torque Nm max.	Radial load N max.	Material
P0396.HV004-006	4	4	6	4,93 to 4,95	4,82 to 4,86	0.15	80	Steel
P0396.HV004-008	4	4	8	4,93 to 4,95	4,82 to 4,86	0.25	90	Steel
P0396.HV004-010	4	4	10	4,93 to 4,95	4,82 to 4,86	0.35	95	Steel
P0396.HV005-005	5	5	5	5,93 to 5,95	5,82 to 5,86	0.45	100	Steel
P0396.HV005-008	5	5	8	5,93 to 5,95	5,82 to 5,86	0.66	160	Steel
P0396.HV005-012	5	5	12	5,93 to 5,95	5,82 to 5,86	1.25	250	Steel
P0396.HV006-006	6	6	6	6,93 to 6,985	6,82 to 6,86	0.45	133	Steel
P0396.HV006-008	6	6	8	6,93 to 6,985	6,82 to 6,86	0.75	240	Steel
P0396.HV006-010	6	6	10	6,93 to 6,985	6,82 to 6,86	1.00	290	Steel
P0396.HV006-015	6	6	15	6,93 to 6,985	6,82 to 6,86	1.20	300	Steel
P0396.HV008-006	8	8	6	9,41 to 9,48	9,23 to 9,30	1.00	240	Steel
P0396.HV008-008	8	8	8	9,41 to 9,48	9,23 to 9,30	1.45	360	Steel
P0396.HV008-012	8	8	12	9,41 to 9,48	9,23 to 9,30	2.00	580	Steel
P0396.HV008-014	8	8	14	9,41 to 9,48	9,23 to 9,30	2.10	600	Steel
P0396.HV010-004	10	10	4	11,41 to 11,48	11,23 to 11,30	0.95	480	Stainless
P0396.HV010-006	10	10	6	11,41 to 11,48	11,23 to 11,30	2.30	850	Stainless
P0396.HV010-008	10	10	8	11,41 to 11,48	11,23 to 11,30	2.50	1020	Stainless
P0396.HV010-010	10	10	10	11,41 to 11,48	11,23 to 11,30	3.00	1220	Stainless
P0396.HV010-012	10	10	12	11,41 to 11,48	11,23 to 11,30	3.50	1650	Stainless
P0396.HV010-014	10	10	14	11,41 to 11,48	11,23 to 11,30	4.00	2050	Stainless
P0396.HV010-018	10	10	18	11,41 to 11,48	11,23 to 11,30	4.50	2500	Stainless
P0396.HV012-004	12	12	4	13,41 to 13,48	13,23 to 13,30	1.60	720	Stainless
P0396.HV012-006	12	12	6	13,41 to 13,48	13,23 to 13,30	3.00	1200	Stainless
P0396.HV012-010	12	12	10	13,41 to 13,48	13,23 to 13,30	4.00	1825	Stainless
P0396.HV012-012	12	12	12	13,41 to 13,48	13,23 to 13,30	6.00	2400	Stainless
P0396.HV012-016	12	12	16	13,41 to 13,48	13,23 to 13,30	8.00	3025	Stainless
P0396.HV012-018	12	12	18	13,41 to 13,48	13,23 to 13,30	9.00	3350	Stainless
P0396.HV014-008	14	14	8	15,41 to 15,48	15,23 to 15,30	5.00	1800	Stainless
P0396.HV014-012	14	14	12	15,41 to 15,48	15,23 to 15,30	7.00	2410	Stainless
P0396.HV014-014	14	14	14	15,41 to 15,48	15,23 to 15,30	9.00	2750	Stainless
P0396.HV015-008	15	15	8	16,41 to 16,48	16,23 to 16,30	5.50	1825	Stainless
P0396.HV015-012	15	15	12	16,41 to 16,48	16,23 to 16,30	7.50	2500	Stainless
P0396.HV015-014	15	15	14	16,41 to 16,48	16,23 to 16,30	11.00	2925	Stainless



TOLERANCE RINGS

Order No.	d ₁ tol. H9	d ₁ nom.	l	d ₂ for bearings	d ₂ for torque transfer	Torque Nm max.	Radial load N max.	Material
P0396.HV015-022	15	15	22	16,41 to 16,48	16,23 to 16,30	14.00	3500	Stainless
P0396.HV016-005	16	16	5	17,41 to 17,48	17,23 to 17,30	4.0	1100	Stainless
P0396.HV016-008	16	16	8	17,41 to 17,48	17,23 to 17,30	7.0	1900	Stainless
P0396.HV016-010	16	16	10	17,41 to 17,48	17,23 to 17,30	8.0	2275	Stainless
P0396.HV016-012	16	16	12	17,41 to 17,48	17,23 to 17,30	9.0	2800	Stainless
P0396.HV016-016	16	16	16	17,41 to 17,48	17,23 to 17,30	14.0	3650	Stainless
P0396.HV016-022	16	16	22	17,41 to 17,48	17,23 to 17,30	17.0	4500	Stainless
P0396.HV018-006	18	18	6	19,89 to 19,98	19,67 to 19,75	6.5	1300	Stainless
P0396.HV018-010	18	18	10	19,89 to 19,98	19,67 to 19,75	11.0	2450	Stainless
P0396.HV018-016	18	18	16	19,89 to 19,98	19,67 to 19,75	17.0	4100	Stainless
P0396.HV019-006	19	19	6	20,89 to 20,98	20,67 to 20,75	7.0	1875	Stainless
P0396.HV009-016	19	19	16	20,89 to 20,98	20,67 to 20,75	21.0	4450	Steel
P0396.HV020-012	20	20	12	21,89 to 21,98	21,67 to 21,75	18.0	3650	Stainless
P0396.HV020-014	20	20	14	21,89 to 21,98	21,67 to 21,75	22.0	4300	Steel
P0396.HV020-016	20	20	16	21,89 to 21,98	21,67 to 21,75	24.0	4900	Steel
P0396.HV020-020	20	20	20	21,89 to 21,98	21,67 to 21,75	30.0	6100	Steel
P0396.HV020-026	20	20	26	21,89 to 21,98	21,67 to 21,75	34.0	7250	Stainless
P0396.HV022-005	22	22	5	23,89 to 23,98	23,67 to 23,75	12.0	1650	Stainless
P0396.HV022-007	22	22	7	23,89 to 23,98	23,67 to 23,75	16.0	2450	Stainless
P0396.HV022-010	22	22	10	23,89 to 23,98	23,67 to 23,75	18.0	3525	Stainless
P0396.HV022-016	22	22	16	23,89 to 23,98	23,67 to 23,75	30.0	5450	Steel
P0396.HV022-020	22	22	20	23,89 to 23,98	23,67 to 23,75	35.0	7000	Steel
P0396.HV022-022	22	22	22	23,89 to 23,98	23,67 to 23,75	38.0	8200	Steel
P0396.HV024-006	24	24	6	25,89 to 25,98	25,67 to 25,75	17.0	2320	Stainless
P0396.HV024-007	24	24	7	25,89 to 25,98	25,67 to 25,75	18.0	2715	Stainless
P0396.HV024-012	24	24	12	25,89 to 25,98	25,67 to 25,75	29.0	5550	Stainless
P0396.HV024-016	24	24	16	25,89 to 25,98	25,67 to 25,75	32.0	7800	Steel
P0396.HV024-020	24	24	20	25,89 to 25,98	25,67 to 25,75	45.0	9000	Steel
P0396.HV025-010	25	25	10	26,89 to 26,98	26,67 to 26,75	24.0	4300	Steel
P0396.HV025-016	25	25	16	26,89 to 26,98	26,67 to 26,75	35.0	7800	Stainless
P0396.HV025-020	25	25	20	26,89 to 26,98	26,67 to 26,75	47.0	9000	Stainless
P0396.HV026-008	26	26	8	27,89 to 27,98	27,67 to 27,75	21.0	3425	Stainless
P0396.HV026-010	26	26	10	27,89 to 27,98	27,67 to 27,75	26.0	4500	Stainless
P0396.HV026-016	26	26	16	27,89 to 27,98	27,67 to 27,75	43.0	8250	Stainless
P0396.HV026-020	26	26	20	27,89 to 27,98	27,67 to 27,75	52.0	9600	Stainless
P0396.HV028-008	28	28	8	29,89 to 29,98	29,67 to 29,75	27.0	4000	Stainless
P0396.HV028-010	28	28	10	29,89 to 29,98	29,67 to 29,75	30.0	4700	Stainless
P0396.HV028-012	28	28	12	29,89 to 29,98	29,67 to 29,75	39.0	6250	Stainless
P0396.HV028-014	28	28	14	29,89 to 29,98	29,67 to 29,75	45.0	7250	Stainless
P0396.HV028-020	28	28	20	29,89 to 29,98	29,67 to 29,75	55.0	9050	Stainless
P0396.HV028-030	28	28	30	29,89 to 29,98	29,67 to 29,75	92.0	15250	Steel
P0396.HV030-008	30	30	8	31,89 to 31,98	31,67 to 31,75	28.0	4100	Stainless
P0396.HV030-012	30	30	12	31,89 to 31,98	31,67 to 31,75	40.0	5700	Stainless
P0396.HV030-016	30	30	16	31,89 to 31,98	31,67 to 31,75	50.0	8065	Stainless
P0396.HV030-030	30	30	30	31,89 to 31,98	31,67 to 31,75	95.0	15500	Steel
P0396.HV032-008	32	32	8	33,89 to 33,98	33,67 to 33,75	30.0	3000	Stainless
P0396.HV032-010	32	32	10	33,89 to 33,98	33,67 to 33,75	35.0	3200	Stainless
P0396.HV032-014	32	32	14	33,89 to 33,98	33,67 to 33,75	50.0	4200	Stainless
P0396.HV032-030	32	32	30	33,89 to 33,98	33,67 to 33,75	115.0	18000	Stainless
P0396.HV035-006	35	35	6	36,89 to 36,98	36,67 to 36,75	32.0	2900	Steel
P0396.HV035-010	35	35	10	36,89 to 36,98	36,67 to 36,75	43.0	3350	Stainless
P0396.HV035-014	35	35	14	36,89 to 36,98	36,67 to 36,75	58.0	5000	Stainless
P0396.HV035-016	35	35	16	36,89 to 36,98	36,67 to 36,75	70.0	8200	Stainless
P0396.HV040-008	40	40	8	41,89 to 41,98	41,67 to 41,75	54.0	2800	Steel
P0396.HV040-100	40	40	10	41,89 to 41,98	41,67 to 41,75	62.0	3300	Steel
P0396.HV040-012	40	40	12	41,89 to 41,98	41,67 to 41,75	72.0	4450	Stainless
P0396.HV040-016	40	40	16	41,89 to 41,98	41,67 to 41,75	91.0	6230	Stainless
P0396.HV040-020	40	40	20	41,89 to 41,98	41,67 to 41,75	125.0	8450	Stainless
P0396.HV040-030	40	40	30	41,89 to 41,98	41,67 to 41,75	180.0	12000	Stainless
P0396.HV042-012	42	42	12	43,89 to 43,98	43,67 to 43,75	75.0	4900	Stainless
P0396.HV042-030	42	42	30	43,89 to 43,98	43,67 to 43,75	225.0	13250	Stainless
P0396.HV045-012	45	45	12	46,89 to 46,98	46,67 to 46,75	90.0	6000	Stainless
P0396.HV045-020	45	45	20	46,89 to 46,98	46,67 to 46,75	165.0	8700	Stainless
P0396.HV047-006	47	47	6	48,89 to 48,98	48,67 to 48,75	65.0	2450	Steel
P0396.HV047-008	47	47	8	48,89 to 48,98	48,67 to 48,75	76.0	2850	Steel
P0396.HV047-014	47	47	14	48,89 to 48,98	48,67 to 48,75	117.0	6230	Steel
P0396.HV047-018	47	47	18	48,89 to 48,98	48,67 to 48,75	175.0	8300	Stainless



Tolerance Rings - Hole Variable- HV

HV type, A2 Stainless



Order No.	d ₁ tol. H9	d ₁ nom.	l	d ₂ for bearings	d ₂ for torque transfer	Torque Nm max.	Radial load N max.	Material
P0396.HV047-020	47	47	20	48,89 to 48,98	48,67 to 48,75	210.0	8450	Stainless
P0396.HV047-022	47	47	22	48,89 to 48,98	48,67 to 48,75	235.0	10750	Stainless
P0396.HV050-015	50	50	15	52,35 to 52,47	52,03 to 52,15	157.0	6600	Stainless
P0396.HV050-020	50	50	20	52,35 to 52,47	52,03 to 52,15	215.0	10100	Stainless
P0396.HV052-008	52	52	8	54,35 to 54,47	54,03 to 54,15	100.0	3200	Steel
P0396.HV052-015	52	52	15	54,35 to 54,47	54,03 to 54,15	165.0	7120	Stainless
P0396.HV055-012	55	55	12	57,35 to 57,47	57,03 to 57,15	156.0	5550	Stainless
P0396.HV055-020	55	55	20	57,35 to 57,47	57,03 to 57,15	260.0	10750	Stainless
P0396.HV060-015	60	60	15	62,35 to 62,47	62,03 to 62,15	280.0	8800	Stainless
P0396.HV060-025	60	60	25	62,35 to 62,47	62,03 to 62,15	475.0	15500	Stainless
P0396.HV062-010	62	62	10	64,35 to 64,47	64,03 to 64,15	215.0	5300	Stainless
P0396.HV062-015	62	62	15	64,35 to 64,47	64,03 to 64,15	290.0	8450	Stainless
P0396.HV065-025	65	65	25	67,35 to 67,47	67,03 to 67,15	520.0	14900	Stainless
P0396.HV065-063	65	65	63	67,35 to 67,47	67,03 to 67,15	850.0	46000	Stainless
P0396.HV070-025	70	70	25	72,35 to 72,47	72,03 to 72,15	550.0	16900	Stainless
P0396.HV072-010	72	72	10	74,35 to 74,47	74,03 to 74,15	230.0	6000	Stainless
P0396.HV072-017	72	72	17	74,35 to 74,47	74,03 to 74,15	420.0	13000	Stainless
P0396.HV072-019	72	72	19	74,35 to 74,47	74,03 to 74,15	470.0	14500	Stainless
P0396.HV072-020	72	72	20	74,35 to 74,47	74,03 to 74,15	490.0	15000	Stainless
P0396.HV075-016	75	75	16	77,35 to 77,47	77,03 to 77,15	520.0	13000	Stainless
P0396.HV075-020	75	75	20	77,35 to 77,47	77,03 to 77,15	600.0	17000	Stainless
P0396.HV080-012	80	80	12	82,35 to 82,47	82,03 to 82,15	280.0	11000	Steel
P0396.HV080-020	80	80	20	82,35 to 82,47	82,03 to 82,15	630.0	16800	Stainless
P0396.HV084-012	84	84	12	86,82 to 86,96	86,42 to 86,56	490.0	13000	Stainless
P0396.HV085-019	85	85	19	87,82 to 87,96	87,42 to 87,56	700.0	17000	Steel
P0396.HV090-015	90	90	15	92,82 to 92,96	92,42 to 92,56	560.0	14000	Stainless
P0396.HV090-020	90	90	20	92,82 to 92,96	92,42 to 92,56	770.0	18000	Steel
P0396.HV090-023	90	90	23	92,82 to 92,96	92,42 to 92,56	870.0	21000	Steel
P0396.HV090-025	90	90	25	92,82 to 92,96	92,42 to 92,56	950.0	22500	Stainless

TOLERANCE RINGS