

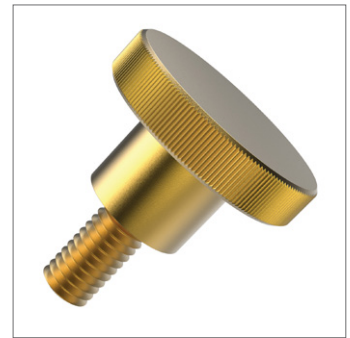
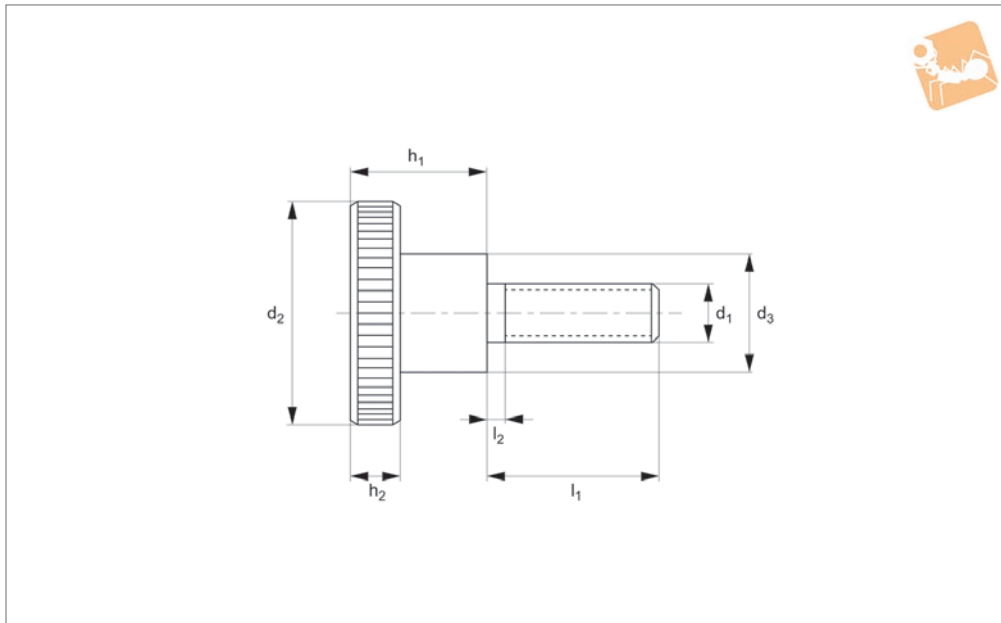


# Brass Knurled Thumb Screws

brass



Thumb Screws



P0400.BR

THUMB SCREWS

### Material

Brass.

### Technical Notes

To DIN 464, all knurled screws are one-

piece manufactured, contrary to the official standard sheet, they all have a thread up to the head, as shown, but no recess at the thread end.

| Order No.        | d <sub>1</sub> | l <sub>1</sub> | d <sub>2</sub> | d <sub>3</sub> | h <sub>1</sub> | h <sub>2</sub> | l <sub>2</sub> |
|------------------|----------------|----------------|----------------|----------------|----------------|----------------|----------------|
| P0400.030-004-BR | M 3            | 4              | 12             | 6              | 7.5            | 2.5            | 2              |
| P0400.030-006-BR | M 3            | 6              | 12             | 6              | 7.5            | 2.5            | 2              |
| P0400.030-008-BR | M 3            | 8              | 12             | 6              | 7.5            | 2.5            | 2              |
| P0400.030-010-BR | M 3            | 10             | 12             | 6              | 7.5            | 2.5            | 2              |
| P0400.030-012-BR | M 3            | 12             | 12             | 6              | 7.5            | 2.5            | 2              |
| P0400.030-016-BR | M 3            | 16             | 12             | 6              | 7.5            | 2.5            | 2              |
| P0400.030-020-BR | M 3            | 20             | 12             | 6              | 7.5            | 2.5            | 2              |
| P0400.040-006-BR | M 4            | 6              | 16             | 8              | 9.5            | 3.5            | 2              |
| P0400.040-008-BR | M 4            | 8              | 16             | 8              | 9.5            | 3.5            | 2              |
| P0400.040-010-BR | M 4            | 10             | 16             | 8              | 9.5            | 3.5            | 2              |
| P0400.040-012-BR | M 4            | 12             | 16             | 8              | 9.5            | 3.5            | 2              |
| P0400.040-016-BR | M 4            | 16             | 16             | 8              | 9.5            | 3.5            | 2              |
| P0400.040-020-BR | M 4            | 20             | 16             | 8              | 9.5            | 3.5            | 2              |
| P0400.040-030-BR | M 4            | 30             | 16             | 8              | 9.5            | 3.5            | 2              |
| P0400.050-006-BR | M 5            | 6              | 20             | 10             | 11.5           | 4.0            | 2              |
| P0400.050-008-BR | M 5            | 8              | 20             | 10             | 11.5           | 4.0            | 2              |
| P0400.050-010-BR | M 5            | 10             | 20             | 10             | 11.5           | 4.0            | 2              |
| P0400.050-012-BR | M 5            | 12             | 20             | 10             | 11.5           | 4.0            | 2              |
| P0400.050-016-BR | M 5            | 16             | 20             | 10             | 11.5           | 4.0            | 2              |
| P0400.050-020-BR | M 5            | 20             | 20             | 10             | 11.5           | 4.0            | 2              |
| P0400.050-025-BR | M 5            | 25             | 20             | 10             | 11.5           | 4.0            | 2              |
| P0400.050-030-BR | M 5            | 30             | 20             | 10             | 11.5           | 4.0            | 2              |
| P0400.060-008-BR | M 6            | 8              | 24             | 12             | 15.0           | 5.0            | 2              |
| P0400.060-010-BR | M 6            | 10             | 24             | 12             | 15.0           | 5.0            | 2              |
| P0400.060-012-BR | M 6            | 12             | 24             | 12             | 15.0           | 5.0            | 2              |
| P0400.060-016-BR | M 6            | 16             | 24             | 12             | 15.0           | 5.0            | 2              |
| P0400.060-020-BR | M 6            | 20             | 24             | 12             | 15.0           | 5.0            | 2              |
| P0400.060-025-BR | M 6            | 25             | 24             | 12             | 15.0           | 5.0            | 2              |
| P0400.060-030-BR | M 6            | 30             | 24             | 12             | 15.0           | 5.0            | 2              |
| P0400.060-040-BR | M 6            | 40             | 24             | 12             | 15.0           | 5.0            | 2              |
| P0400.080-012-BR | M 8            | 12             | 30             | 16             | 18.0           | 6.0            | 2              |
| P0400.080-016-BR | M 8            | 16             | 30             | 16             | 18.0           | 6.0            | 2              |
| P0400.080-020-BR | M 8            | 20             | 30             | 16             | 18.0           | 6.0            | 2              |
| P0400.080-025-BR | M 8            | 25             | 30             | 16             | 18.0           | 6.0            | 2              |



| Order No.        | d <sub>1</sub> | l <sub>1</sub> | d <sub>2</sub> | d <sub>3</sub> | h <sub>1</sub> | h <sub>2</sub> | l <sub>2</sub> |
|------------------|----------------|----------------|----------------|----------------|----------------|----------------|----------------|
| P0400.080-030-BR | M 8            | 30             | 30             | 16             | 18.0           | 6.0            | 2              |
| P0400.080-040-BR | M 8            | 40             | 30             | 16             | 18.0           | 6.0            | 2              |