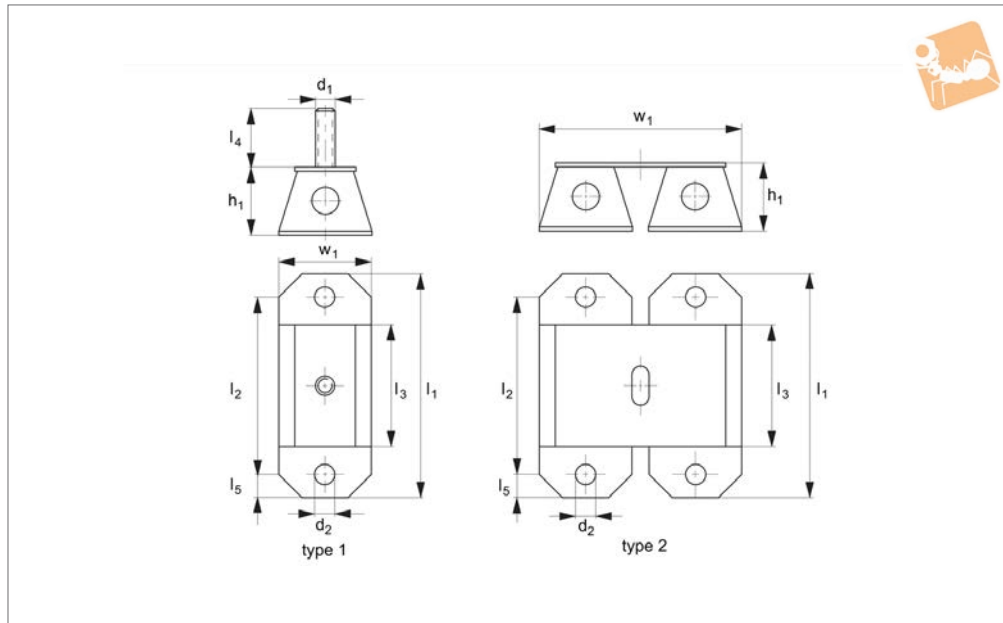


Anti-vibration Mounts with through holes

Anti-Vibration Components



P2044

ANTI-VIBRATION COMPONENTS

Material

Rubber on silver zinc plated steel (rubber hardness - 55 Shore A).

Technical Notes

Type 1: M12 thread supplied as separate

item to be screwed in if required.

Type 2: A twin version of type 1 and so therefore take heavier loads.

The central hole in the rubber pad increases the flexibility of the unit - improving

anti-vibration properties.

Used where good deflection properties are needed and for isolating of frequencies higher than 10Hz.

Order No.	Type	d ₁	l ₁	d ₂	h ₁	l ₂	l ₃	l ₄	l ₅	w ₁	Axial load kgf max.	Compression max.
P2044.050	Type 1	M12	115	13	45	85	50	37	15	60	120	8
P2044.100	Type 1	M12	165	13	45	135	100	37	15	60	250	8
P2044.150	Type 1	M12	215	13	45	185	150	37	15	60	350	8
P2044.200	Type 1	M12	265	13	45	235	200	37	15	60	500	8
P2044.500	Type 2	-	165	13	45	135	100	-	15	130	500	8
P2044.550	Type 2	-	215	13	45	185	150	-	15	130	700	8
P2044.600	Type 2	-	265	13	45	235	200	-	15	130	1000	8



Recommendations for machine mounts

Machine mounts should be installed between two parallel and perfectly flat surfaces. Mounts operating tilted or twisted do not work properly. This may be due to incorrect alignment, tolerances in the building of the structure or over-tightened torque during the installation of the anti-vibration mounts.

ANTI-VIBRATION COMPONENTS

