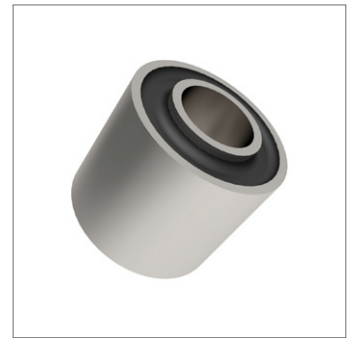
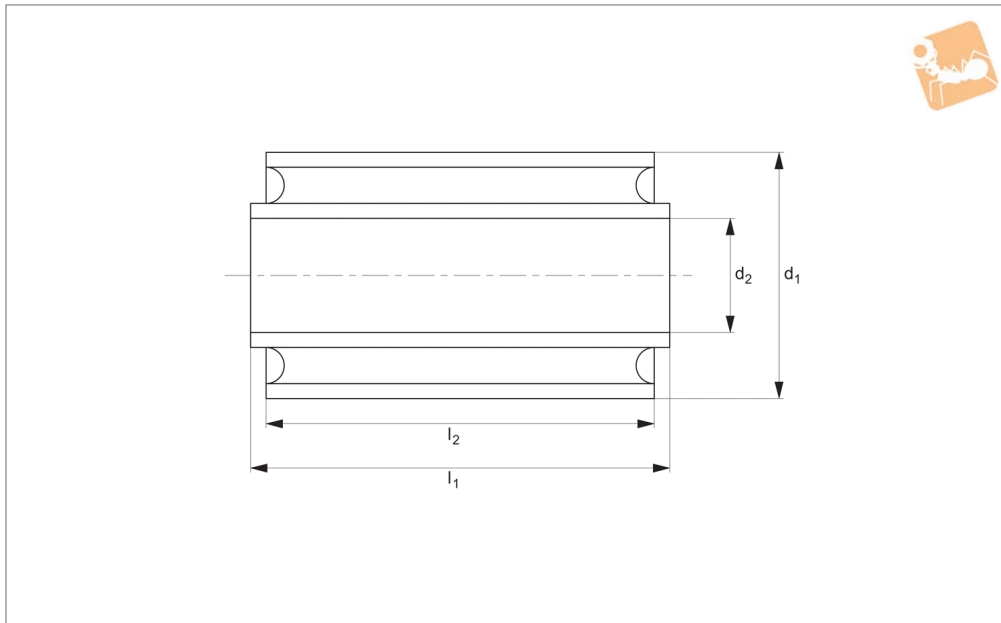




Anti-vibration Bushes

metal-rubber

Anti-Vibration Components



P2070

ANTI-VIBRATION COMPONENTS

Material

Rubber on steel.

noise. The internal bush can move axially, radially, torsionally and pendular.

when putting into place.

Technical Notes

Useful to isolate vibration and reduce

Tips

Install by only pushing on external ring

Order No.	d_1	d_2	l_1	l_2	Radial compression mm	Axial load kgf max.	Radial load kgf max.	Axial compression mm
P2070.008-016	16	8	15	15	0.2	15	30	0.8
P2070.009-020	20.5	9.5	15	13	0.2	15	35	1.0
P2070.010-021	21	10	26	24	0.4	25	70	1.5
P2070.010-027	27	10	20	20	0.2	25	80	1.0
P2070.011-024	24	11	18	16	0.3	24	90	0.8
P2070.012-026	26	12	24	20	0.5	27	70	1.7
P2070.012-050	50	12	50	45	1.1	60	200	2.1
P2070.012-054	54	12.8	44.5	40	1.0	50	180	2.0
P2070.014-027	27	14	54	48	0.4	95	330	1.5
P2070.014-030	30	14	28	25	0.3	40	120	2.0
P2070.014-031	31	14	35	33	0.3	70	170	2.0
P2070.015-030	30	14.5	42	38	0.2	48	150	1.8
P2070.015-050	50	14.5	24	20	0.9	45	70	2.0
P2070.016-044	44	16	32	28	0.7	47	88	1.6
P2070.016-054	54	16	28	22	1.5	40	80	3.4
P2070.018-035	35	18	40	40	0.3	80	190	2.0
P2070.018-043	43.5	18	42	35	0.8	85	200	3.8
P2070.020-040	40	20	46	40	0.4	80	250	1.2
P2070.020-041	41	20	20.5	20.5	0.4	40	100	1.0
P2070.020-045	45	20	62.5	59.5	0.5	160	300	1.1
P2070.022-040	40	22	45	40	0.5	115	850	2.2
P2070.022-063	63	22	72	65	0.6	265	670	4.0
P2070.024-042	42	24	55	50	0.5	150	550	1.8
P2070.024-050	50	24	71	65	0.7	220	750	2.4
P2070.025-045	45	25	50	50	0.5	150	550	1.8
P2070.025-065	65	25	55	45	0.6	180	450	3.8
P2070.025-083	83	25	100	90	2.0	130	400	5.0
P2070.028-048	48	28	36	34	0.7	100	210	2.5
P2070.028-065	65	28	70	65	1.7	280	600	4.8
P2070.028-075	75	28	135	125	0.5	480	1600	2.3
P2070.032-075	75	32	102	102	1.2	450	1350	3
P2070.038-064	64	38	76	70	0.4	380	860	2.6
P2070.040-075	75	40	70	57	0.6	350	600	2.8



Order No.	d ₁	d ₂	l ₁	l ₂	Radial compression mm	Axial load kgf max.	Radial load kgf max.	Axial compression mm
P2070.042-078	78	42	86	80	0.5	350	1100	2.4
P2070.048-093	93	48	80	76	0.6	800	1500	5.3
P2070.050-090	90	50	100	86	0.5	800	1500	5.1
P2070.058-085	85	58	142	90	0.5	350	1800	1.6
P2070.060-110	110	60	182	170	0.6	800	3000	1.8
P2070.070-120	120	70	115	110	1.0	800	3500	3.5
P2070.080-140	140	80	180	170	0.5	1500	7500	2.5
P2070.100-145	145	100	120	110	0.4	850	2700	2.2
P2070.160-222	222	160	158	158	1.0	1600	6000	2.3



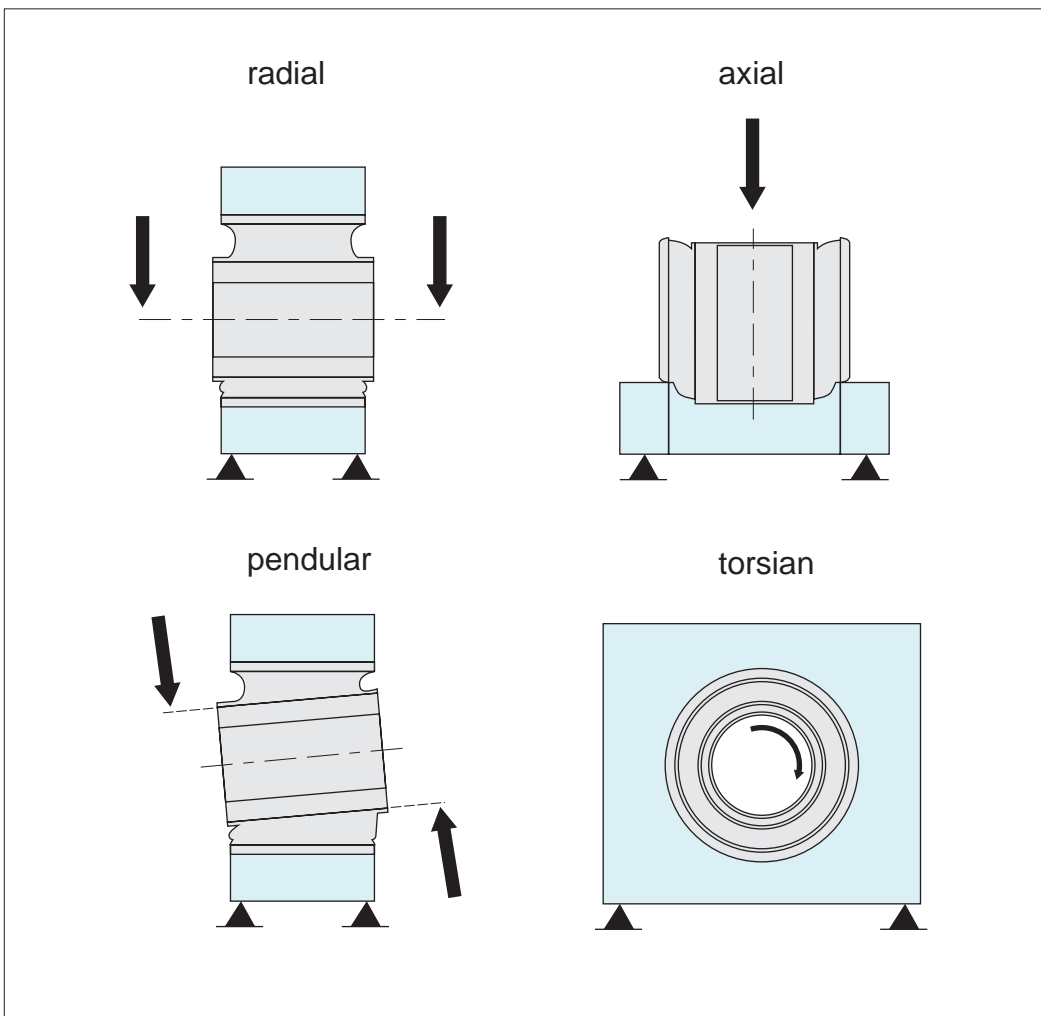
Anti-vibration Bushes

metal-rubber

61700

Materials Handling

Range of movement



ANTI-VIBRATION COMPONENTS

Inside diameter (d ₂)	Tolerances	Inside diameter (d ₁)	Tolerances
From 8mm to 15mm	-0 / + 0,15	From 16mm to 30mm	-0 / + 0,10
From 16mm to 25mm	-0 / + 0,30	From 31mm to 70mm	-0 / + 0,15
From 26mm to 50mm	-0 / + 0,30	From 71mm to 100mm	-0 / + 0,10

ov-W61700-A-T-anti-vibration-bushes-metal-rubber-rmh-Updated-28-10-2022