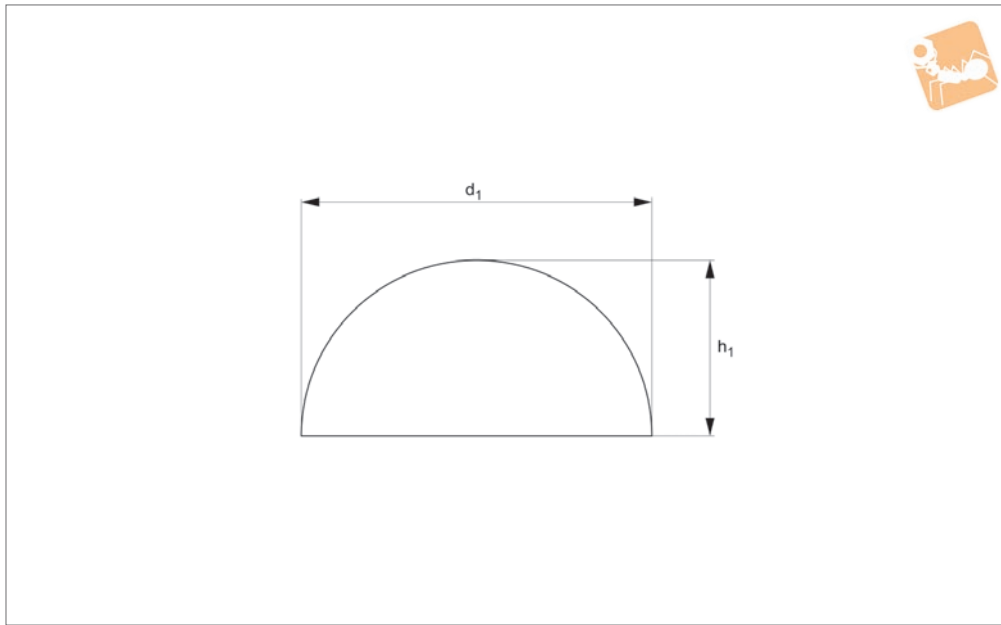




Anti-vibration Bushes hemisphere

Anti-Vibration Components



P2073

ANTI-VIBRATION COMPONENTS

Material
Sorbothane.

Technical Notes
Sorbothane hemisphere mounts provide a

quick, cost effective method of isolating bench equipment and small machinery. Simply place the hemisphere under the unit to be isolated with the curved surface

up. Expect a 25-30% deflection when statically loaded.

Order No.	Type	d ₁	h ₁	Load N max.
P2073.019	Without adhesive	19.0	9.5	2.5
P2073.032	Without adhesive	31.8	15.8	5.0
P2073.050	Without adhesive	50.8	25.5	8.5
P2073.019-A	With adhesive	19.0	9.5	2.5
P2073.032-A	With adhesive	31.8	15.8	5.0
P2073.050-A	With adhesive	50.8	25.5	8.5