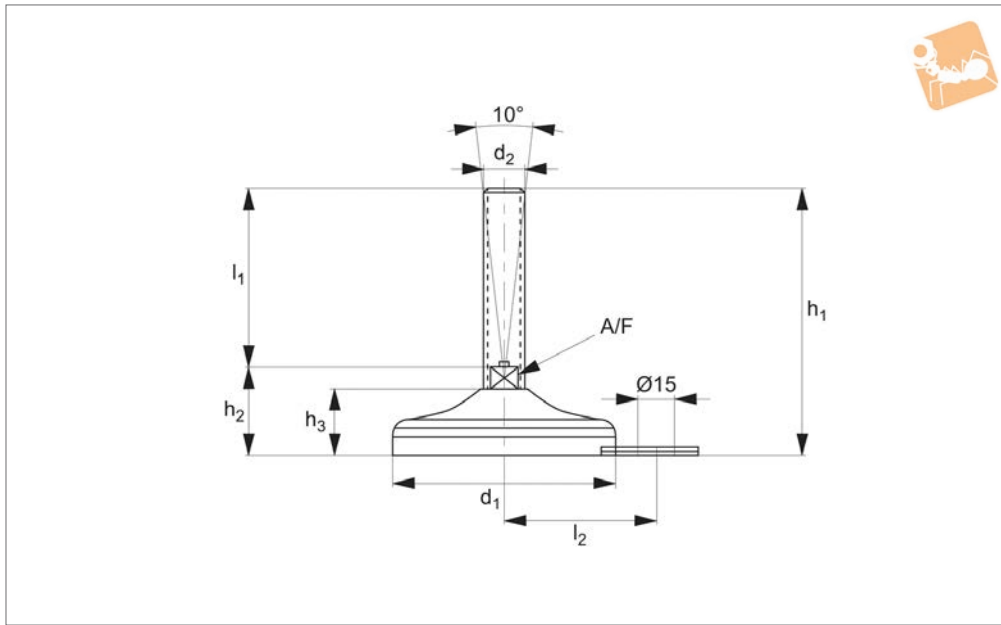




# Steel Levelling Feet steel



## Levelling Feet



**P2209**

LEVELLING FEET

### Material

Base material: galvanized steel (C40).  
Full Steel base with vulcanized rubber.

half the screw height.

In conditions of vibrations or in presence of dynamic loads these values should be reduced.

### Technical Notes

Load values refer to static loads, located at

Order No.	d <sub>1</sub>	d <sub>2</sub>	h <sub>1</sub>	h <sub>2</sub>	h <sub>3</sub>	l <sub>1</sub>	l <sub>2</sub>	A/F	Load kgf max.	Weight g
P2209.080-10-050	80	M10	85.0	35.0	25	50	54	14	1000	292
P2209.080-10-100	80	M10	135.0	35.0	25	100	54	14	1000	315
P2209.080-12-050	80	M12	85.0	35.0	25	50	54	14	1000	303
P2209.080-12-100	80	M12	135.0	35.0	25	100	54	14	1000	335
P2209.080-12-150	80	M12	185.0	35.0	25	150	54	14	1000	372
P2209.080-14-050	80	M14	85.0	35.0	25	50	54	14	1000	316
P2209.080-14-100	80	M14	135.0	35.0	25	100	54	14	1000	363
P2209.080-14-150	80	M14	185.0	35.0	25	150	54	14	1000	413
P2209.080-16-075	80	M16	110.0	35.0	25	75	54	16	1000	367
P2209.080-16-100	80	M16	135.0	35.0	25	100	54	16	1000	399
P2209.080-16-150	80	M16	185.0	35.0	25	150	54	16	1000	464
P2209.080-16-175	80	M16	235.0	35.0	25	200	54	16	1000	527
P2209.080-20-075	80	M20	111.0	36.0	25	75	54	20	1000	430
P2209.080-20-100	80	M20	136.0	36.0	25	100	54	20	1000	480
P2209.080-20-150	80	M20	186.0	36.0	25	150	54	20	1000	582
P2209.080-20-200	80	M20	236.0	36.0	25	200	54	20	1000	683
P2209.080-24-075	80	M24	111.0	36.0	25	75	54	24	1000	503
P2209.080-24-100	80	M24	136.0	36.0	25	100	54	24	1000	576
P2209.080-24-150	80	M24	186.0	36.0	25	150	54	24	1500	721
P2209.080-24-200	80	M24	236.0	36.0	25	200	54	24	1500	867
P2209.100-16-075	100	M16	112.5	37.5	28	75	69	16	1500	505
P2209.100-16-100	100	M16	137.5	37.5	28	100	69	16	1500	537
P2209.100-16-150	100	M16	187.5	37.5	28	150	69	16	1500	602
P2209.100-16-200	100	M16	237.5	37.5	28	200	69	16	1500	665
P2209.100-20-075	100	M20	113.5	38.5	28	75	69	20	1500	568
P2209.100-20-100	100	M20	138.5	38.5	28	100	69	20	1500	618
P2209.100-20-150	100	M20	188.5	38.5	28	150	69	20	1500	720
P2209.100-20-200	100	M20	238.5	38.5	28	200	69	20	1500	821
P2209.100-20-250	100	M20	288.5	38.5	28	250	69	20	1500	924
P2209.100-24-100	100	M24	138.5	38.5	28	100	69	24	1500	641
P2209.100-24-150	100	M24	188.5	38.5	28	150	69	24	1500	714

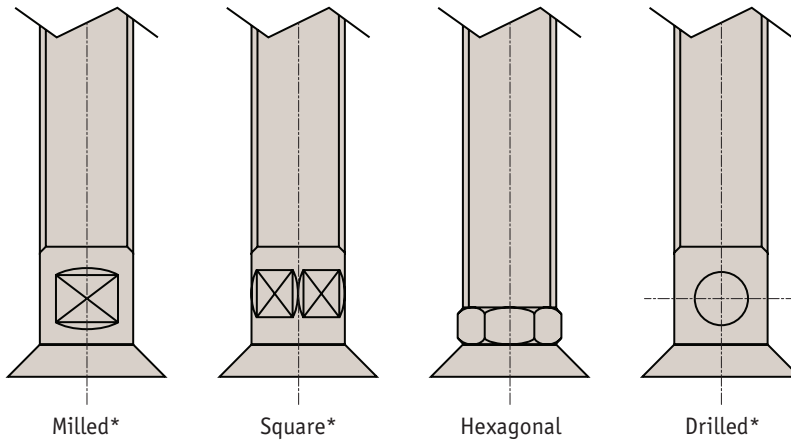
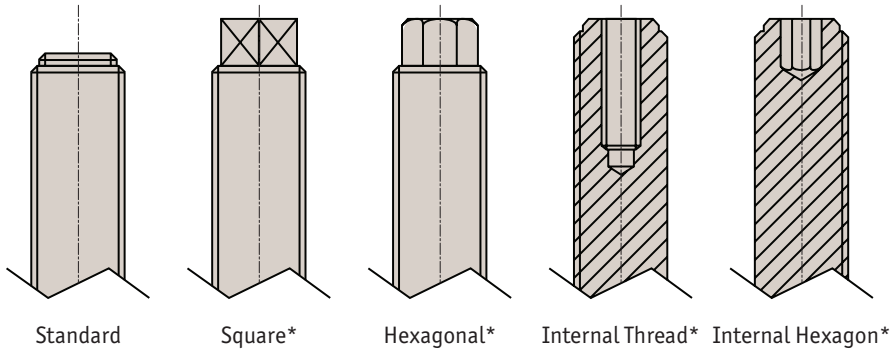


Order No.	d <sub>1</sub>	d <sub>2</sub>	h <sub>1</sub>	h <sub>2</sub>	h <sub>3</sub>	l <sub>1</sub>	l <sub>2</sub>	A/F	Load kgf max.	Weight g
<b>P2209.100-24-200</b>	100	M24	238.5	38.5	28	200	69	24	1500	859
<b>P2209.100-24-250</b>	100	M24	288.5	38.5	28	250	69	24	1500	1005
<b>P2209.100-30-100</b>	100	M30	139.5	39.5	28	100	69	30	1500	906
<b>P2209.100-30-150</b>	100	M30	189.5	39.5	28	150	69	30	1500	1139
<b>P2209.100-30-200</b>	100	M30	239.5	39.5	28	200	69	30	1500	1363
<b>P2209.100-30-250</b>	100	M30	289.5	39.5	28	250	69	30	1500	1593

LEVELLING FEET



All levelling feet can be produced with the following fixing types:



### Thread versions

- Metric thread - coarse pitch (standard)
- Metric thread - fine pitch
- Thread gas 55°
- Imperial thread Unc
- Whitworth thread

\* For non-standard threads a minimum order will apply.

# Levelling Feet from Automotion Components

LEVELLING FEET